

US00D624339S

(12) **United States Design Patent**
Chinuki et al.

(10) **Patent No.:** **US D624,339 S**

(45) **Date of Patent:** **** Sep. 28, 2010**

(54) **EQUIPMENT STORAGE RACK**

(75) Inventors: **Motonari Chinuki**, Inzai (JP); **Gen Minagi**, Tokyo (JP); **Maiko Kawarai**, Tokyo (JP)

(73) Assignee: **The Bank of Tokyo-Mitsubishi UFJ, Ltd.**, Tokyo (JP)

(**) Term: **14 Years**

(21) Appl. No.: **29/357,157**

(22) Filed: **Mar. 8, 2010**

(30) **Foreign Application Priority Data**

Oct. 14, 2009 (JP) 2009-024024

(51) **LOC (9) Cl.** **06-04**

(52) **U.S. Cl.** **D6/511**

(58) **Field of Classification Search** D6/396,
D6/491, 498, 509, 511; D21/436-437; 446/236;
473/590; 273/343

See application file for complete search history.

(56) **References Cited**

U.S. PATENT DOCUMENTS

2,584,260	A *	2/1952	Custer	473/591
D389,878	S *	1/1998	Tylor	D21/437
D465,815	S *	11/2002	Roehl et al.	D21/437
D519,526	S *	4/2006	Bowsher	D15/29
D549,001	S *	8/2007	Brandon	D6/436

D559,919	S *	1/2008	Wedding, II	D21/437
D560,079	S *	1/2008	Mehmen	D6/441
D575,885	S *	8/2008	Adams et al.	D26/20
D594,671	S *	6/2009	Brandon	D6/436
D596,427	S *	7/2009	Lee	D6/499
D614,382	S *	4/2010	Grenet et al.	D2/952

* cited by examiner

Primary Examiner—Elizabeth A Albert

Assistant Examiner—Kelley A Donnelly

(74) *Attorney, Agent, or Firm*—Banner & Witcoff, Ltd.

(57) **CLAIM**

The ornamental design for an equipment storage rack, as shown and described.

DESCRIPTION

FIG. 1 is a front elevational view of an equipment storage rack showing our new design;

FIG. 2 is a rear elevational view thereof;

FIG. 3 is a top plan view thereof;

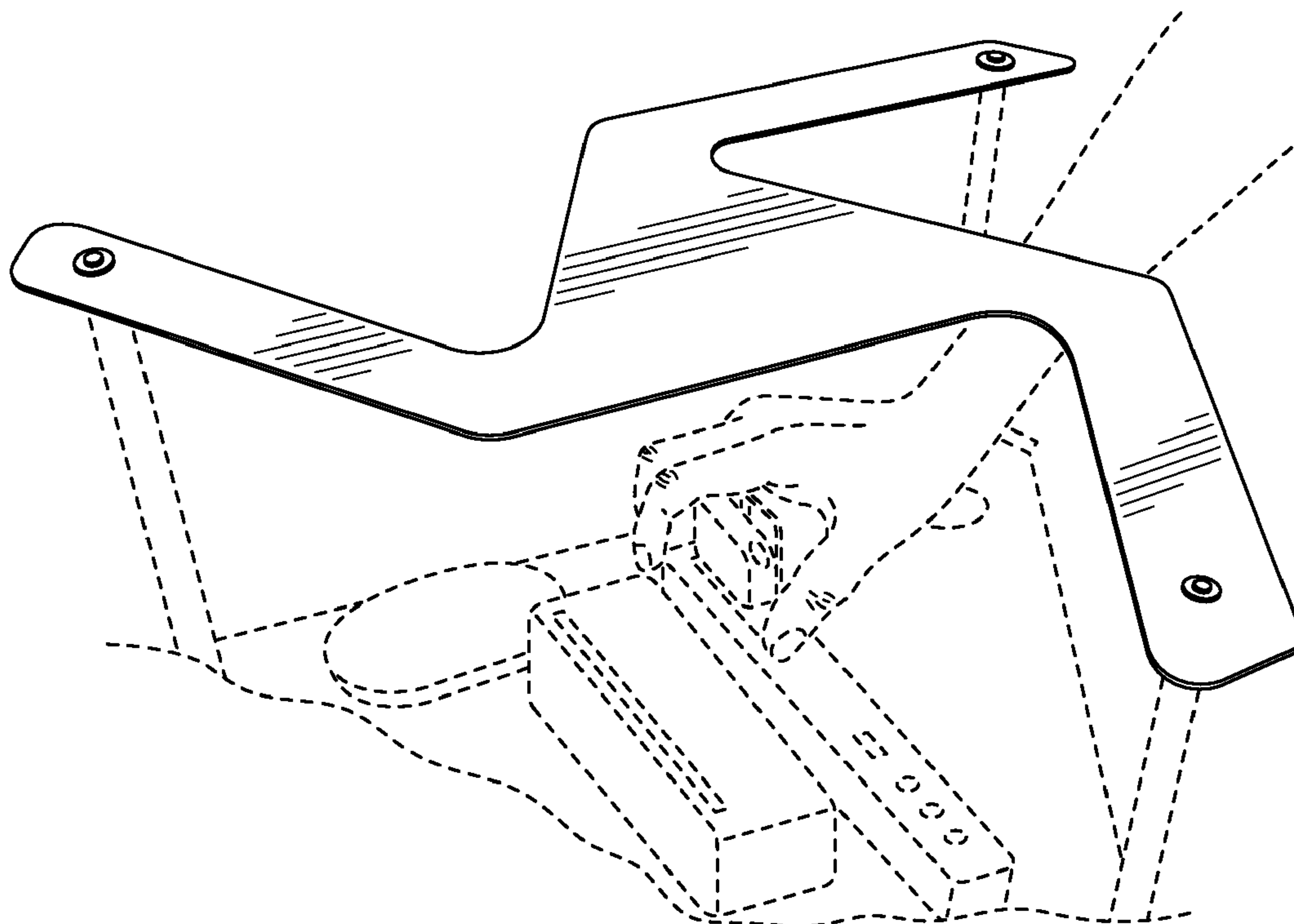
FIG. 4 is a left side elevational view thereof;

FIG. 5 is a right side elevational view thereof; and,

FIG. 6 is a top perspective view thereof.

The broken line showing of the remainder of the storage rack and the broken lines showing of the arm are for environmental purposes only and form no part of the claimed design.

1 Claim, 6 Drawing Sheets



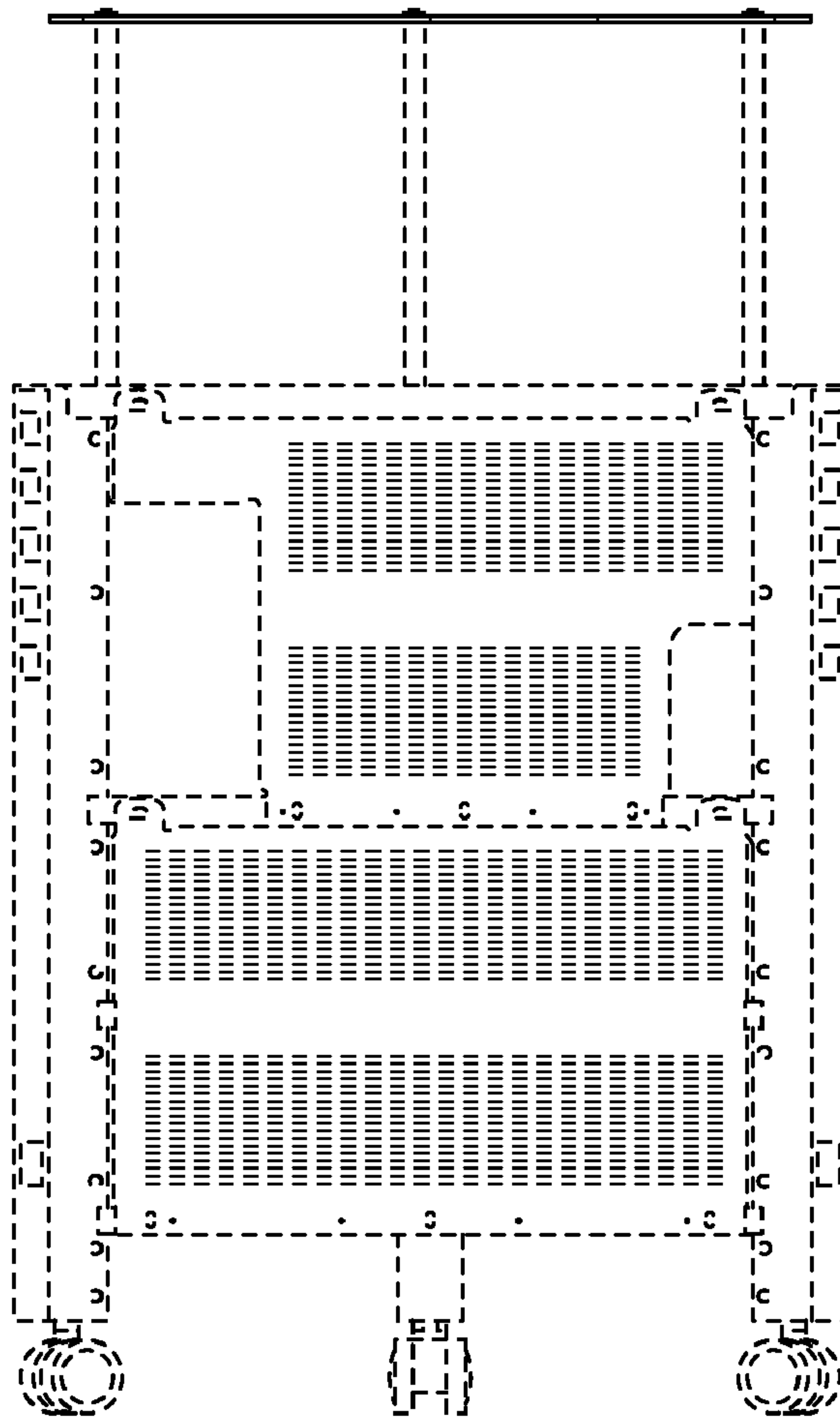


FIG. 1

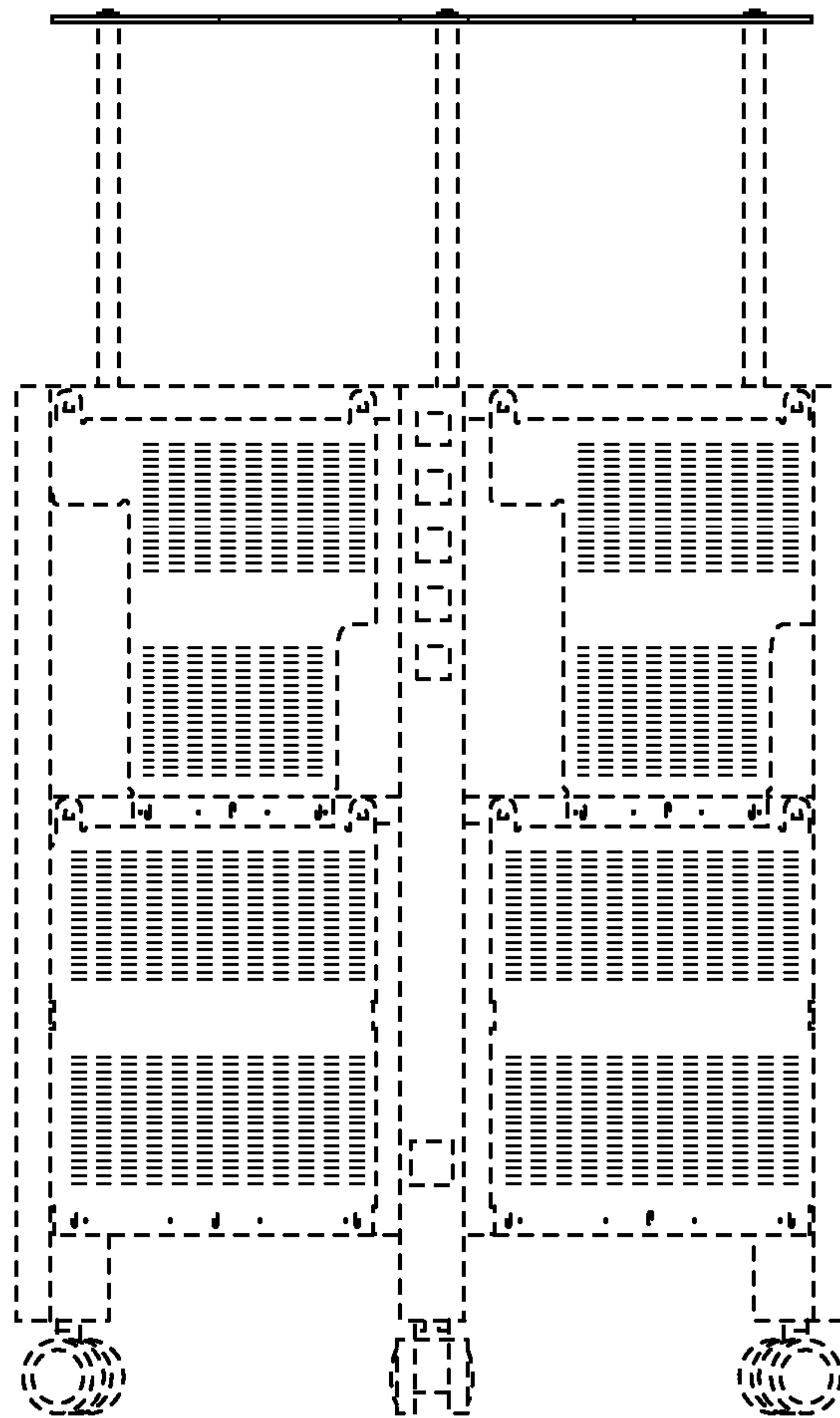


FIG. 2

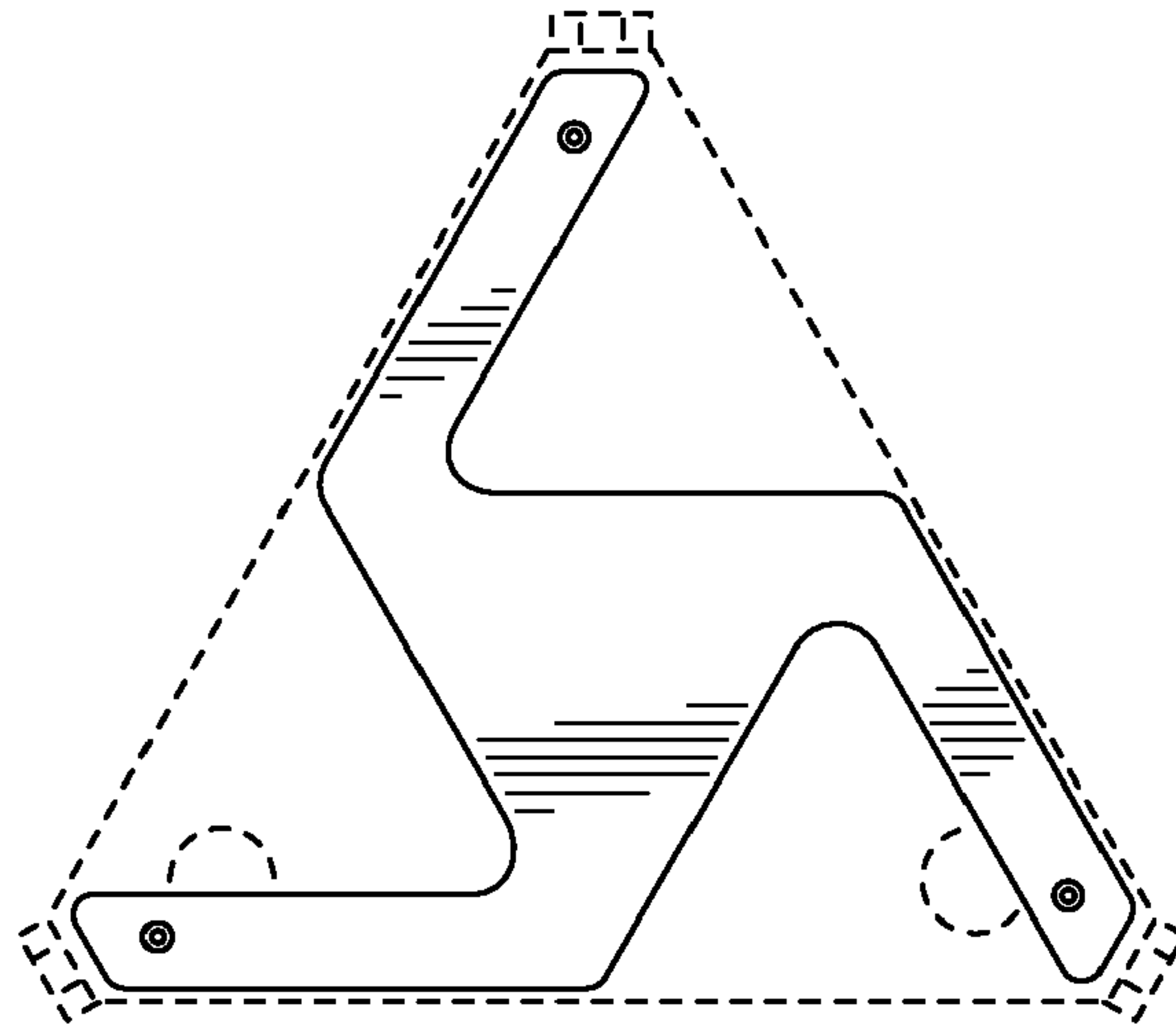


FIG. 3

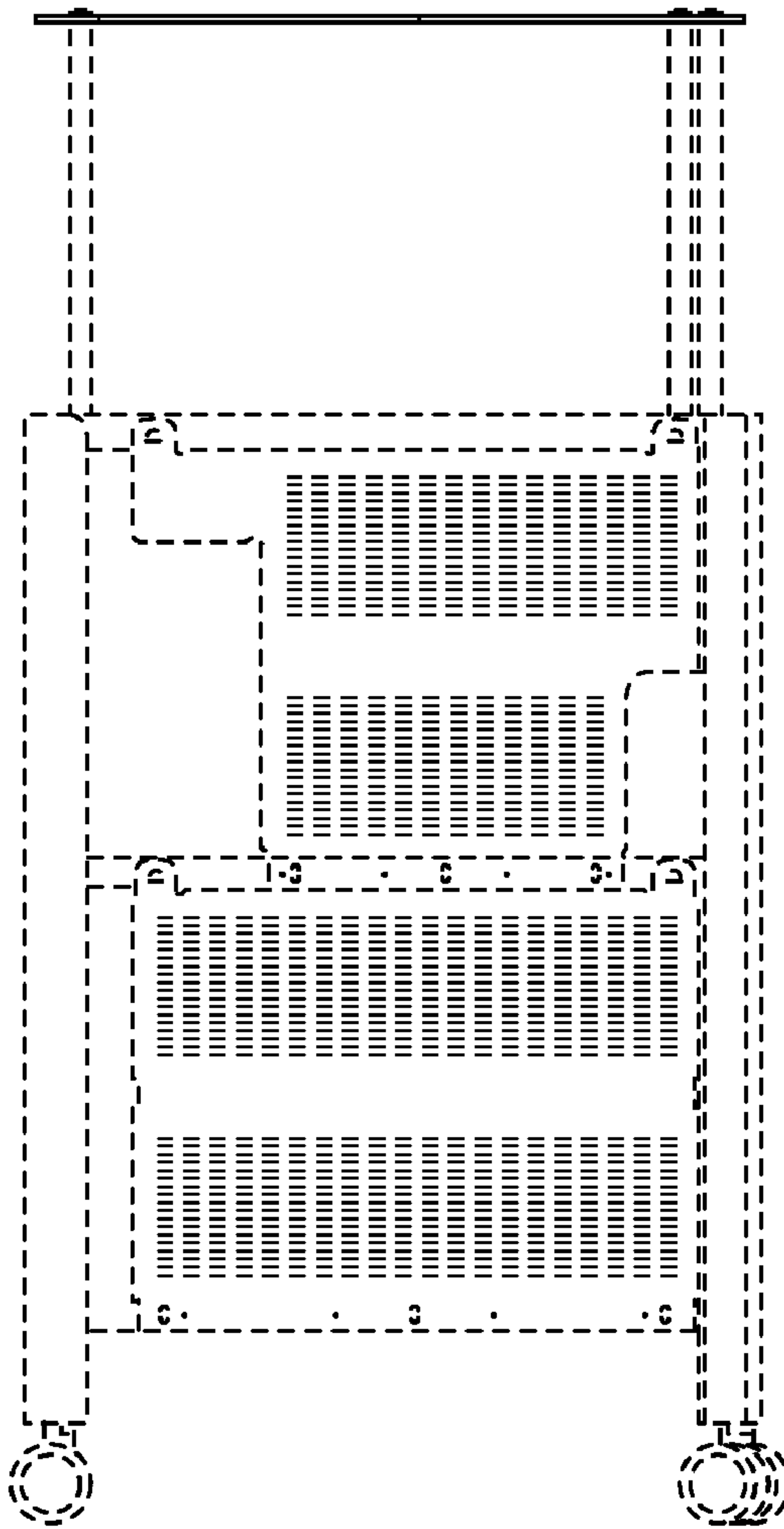


FIG. 4

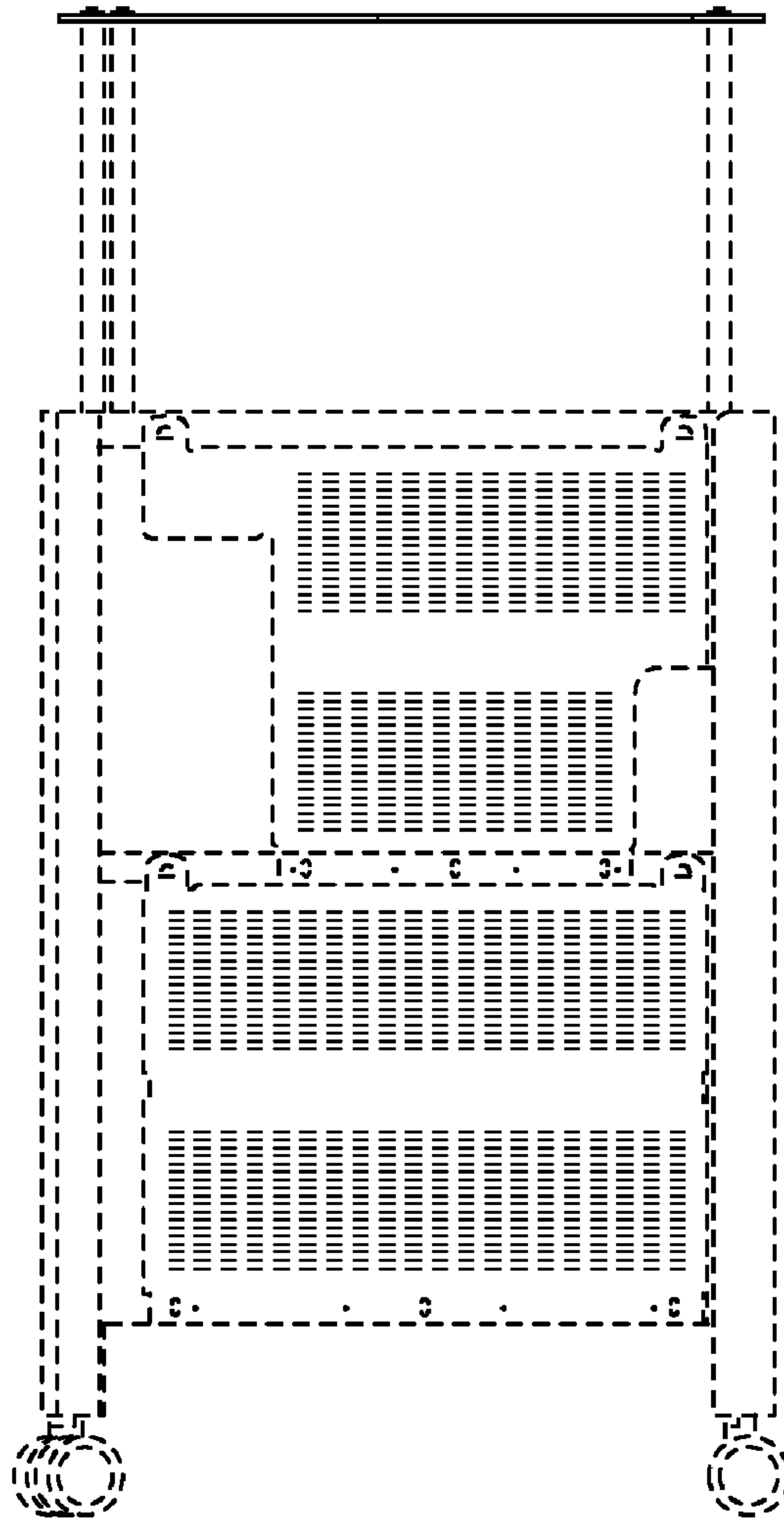


FIG. 5

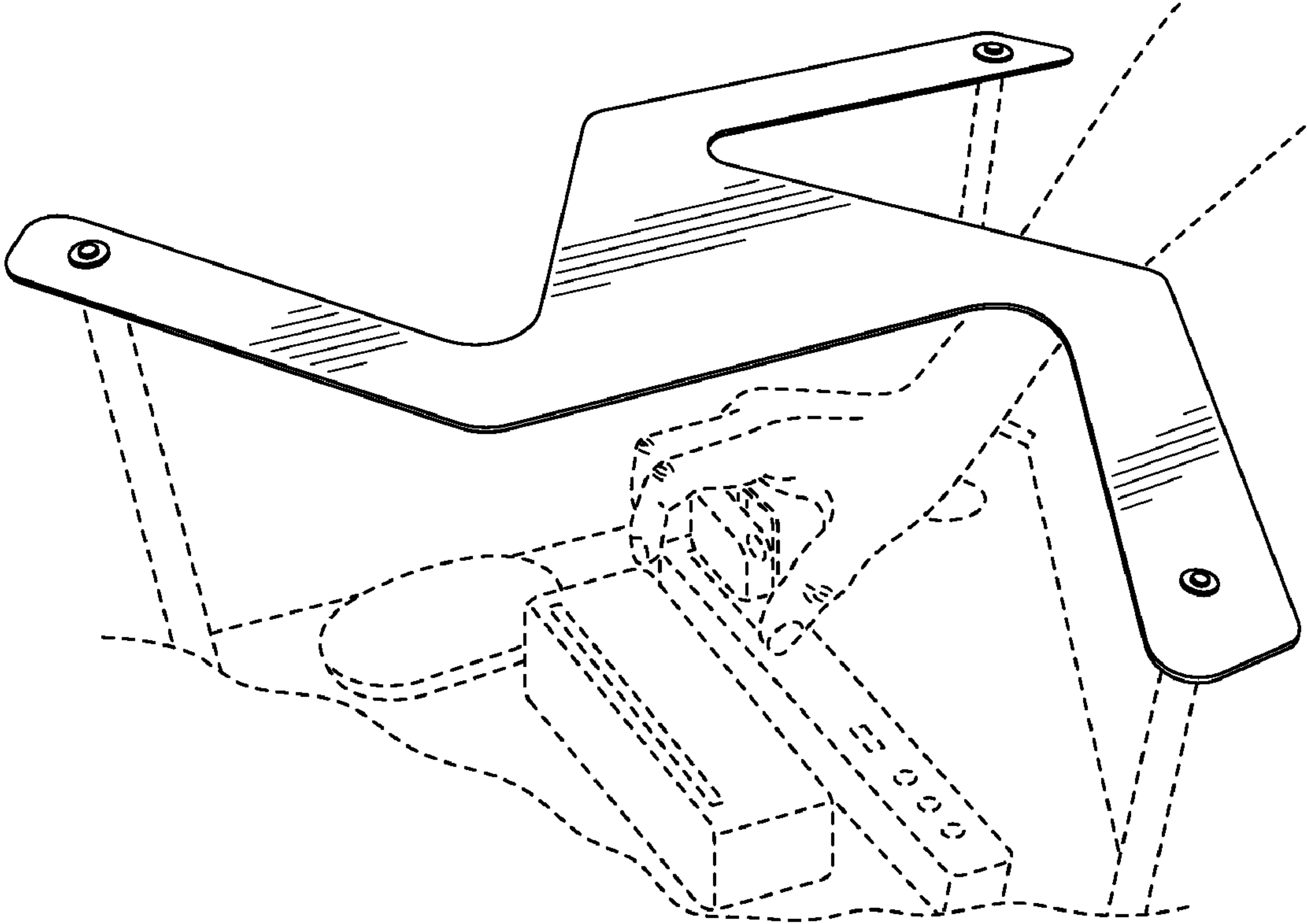


FIG. 6