

US00D624338S

(12) **United States Design Patent**
Jahns et al.

(10) **Patent No.:** **US D624,338 S**

(45) **Date of Patent:** **** Sep. 28, 2010**

(54) **MULTIMEDIA STAND**

(75) Inventors: **Henner Jahns**, Los Angeles, CA (US);
Joseph Klingl, Los Angeles, CA (US);
Wayne Calco, Laguna Hills, CA (US)

(73) Assignee: **Atlantic Representations, Inc.**, Santa Fe Springs, CA (US)

(**) Term: **14 Years**

(21) Appl. No.: **29/360,467**

(22) Filed: **Apr. 26, 2010**

(51) **LOC (9) Cl.** **06-04**

(52) **U.S. Cl.** **D6/499**

(58) **Field of Classification Search** D6/480-495,
D6/429, 496-499; 248/188.8, 217.1; 108/150,
108/153.1, 156, 161, 65-66, 127
See application file for complete search history.

(56) **References Cited**

U.S. PATENT DOCUMENTS

D253,212 S *	10/1979	Maruscak et al.	D6/400
5,213,221 A *	5/1993	Raye, Sr.	211/195
D360,559 S *	7/1995	Grubb et al.	D7/619.1
D371,027 S *	6/1996	Skurman	D6/499
D406,968 S *	3/1999	Tseng	D6/482
6,161,808 A *	12/2000	East et al.	248/175
D460,286 S *	7/2002	Liu	D6/387
D532,215 S *	11/2006	Calabria et al.	D6/462
D575,554 S *	8/2008	Calabria et al.	D6/462

D588,840 S *	3/2009	Dretzka	D6/462
D600,475 S *	9/2009	Ide	D6/449
D613,098 S *	4/2010	Blomstrom	D6/499
D613,975 S *	4/2010	Davis	D6/499
D616,225 S *	5/2010	Calco	D6/477
D616,226 S *	5/2010	Calco et al.	D6/479

* cited by examiner

Primary Examiner—Elizabeth A Albert

Assistant Examiner—Kelley A Donnelly

(74) *Attorney, Agent, or Firm*—Cislo & Thomas, LLP

(57) **CLAIM**

The ornamental design for a multimedia stand, as shown and described.

DESCRIPTION

FIG. 1 is a perspective view of our multimedia stand;

FIG. 2 is a front view thereof;

FIG. 3 is a rear view thereof;

FIG. 4 is a side view thereof;

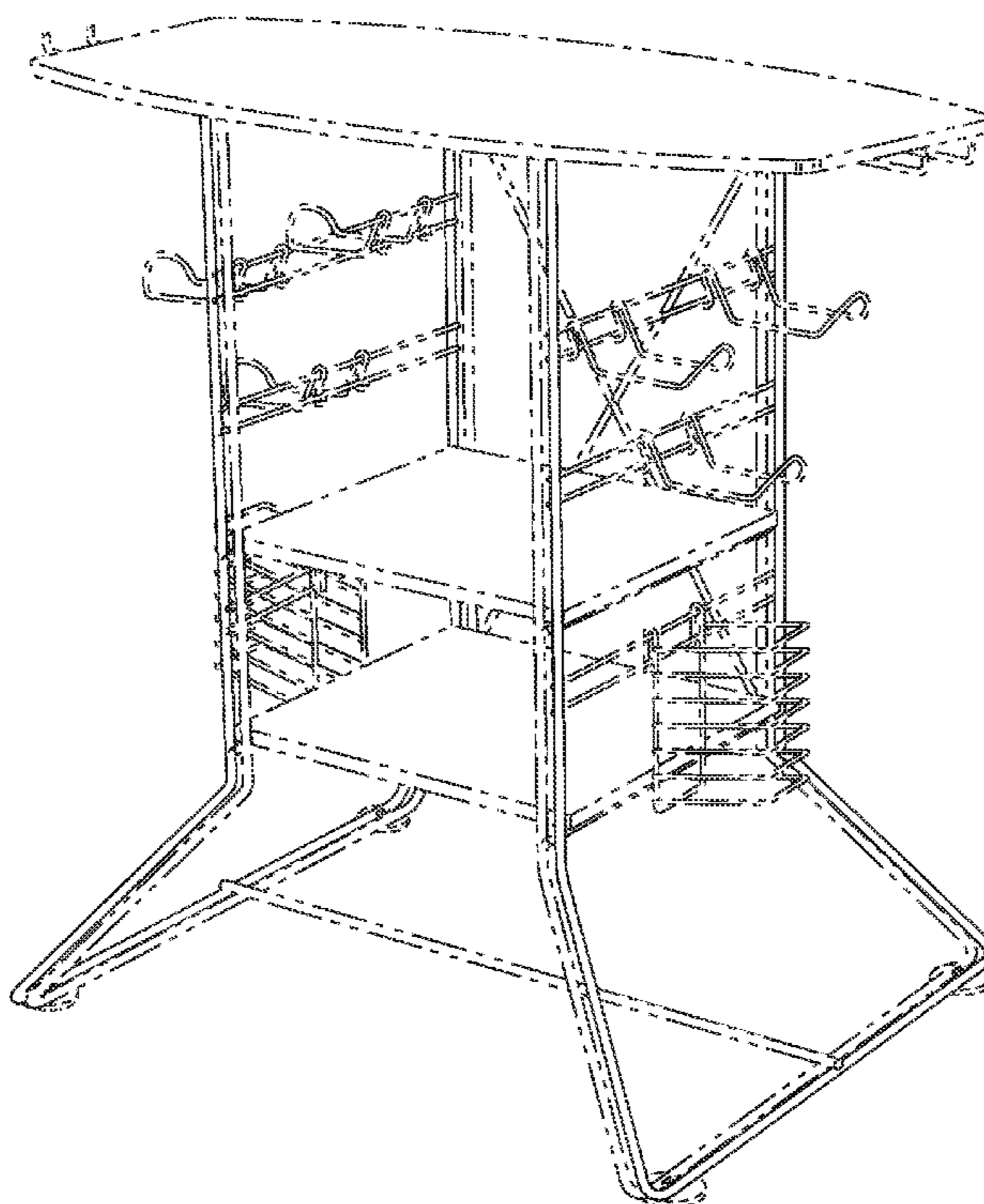
FIG. 5 is another side view thereof;

FIG. 6 is a top view thereof; and,

FIG. 7 is a bottom view thereof.

The broken line portions of the disclosure are included for the purpose of illustrating environment and form no part of the claimed design.

1 Claim, 4 Drawing Sheets



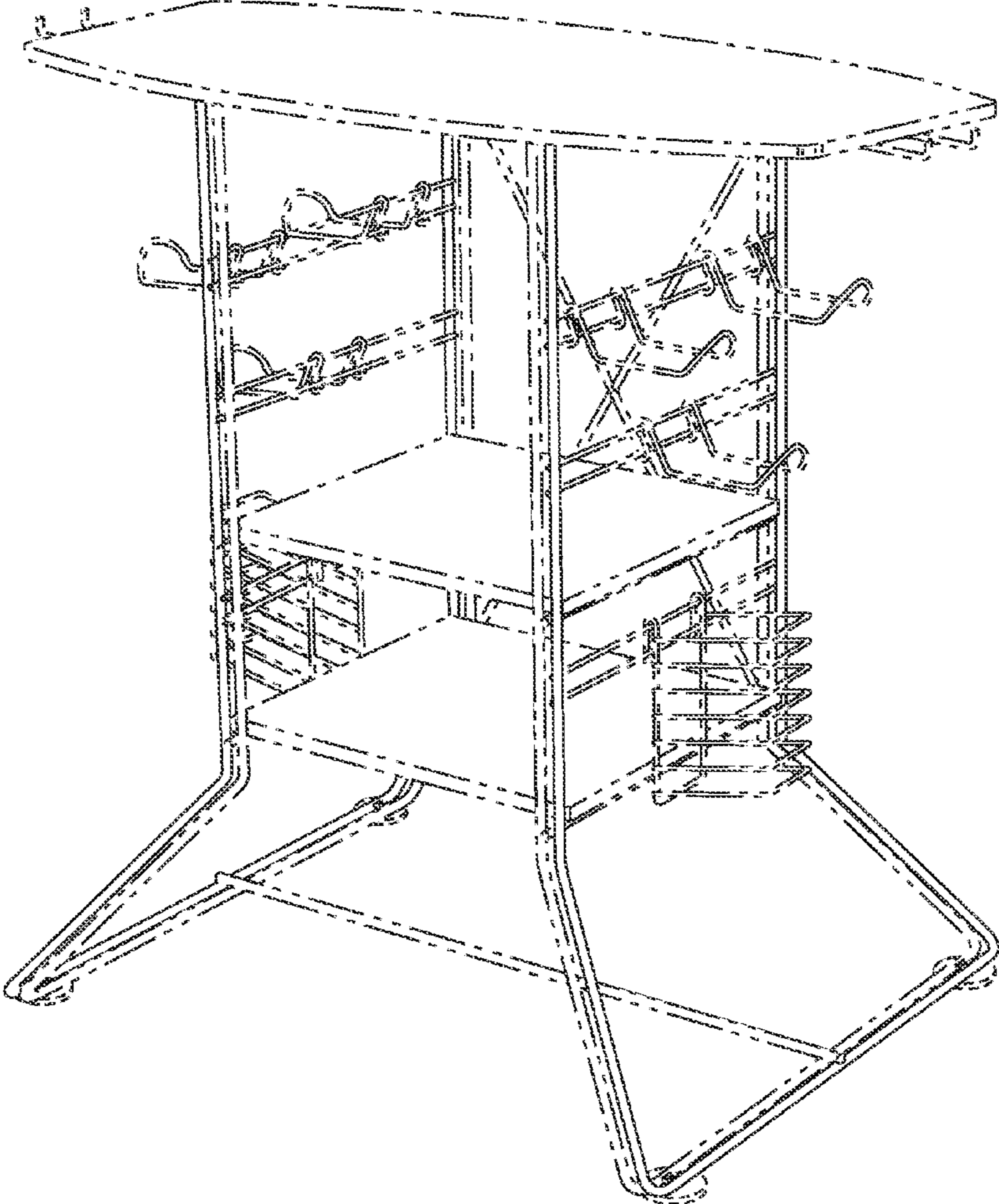


Fig. 1

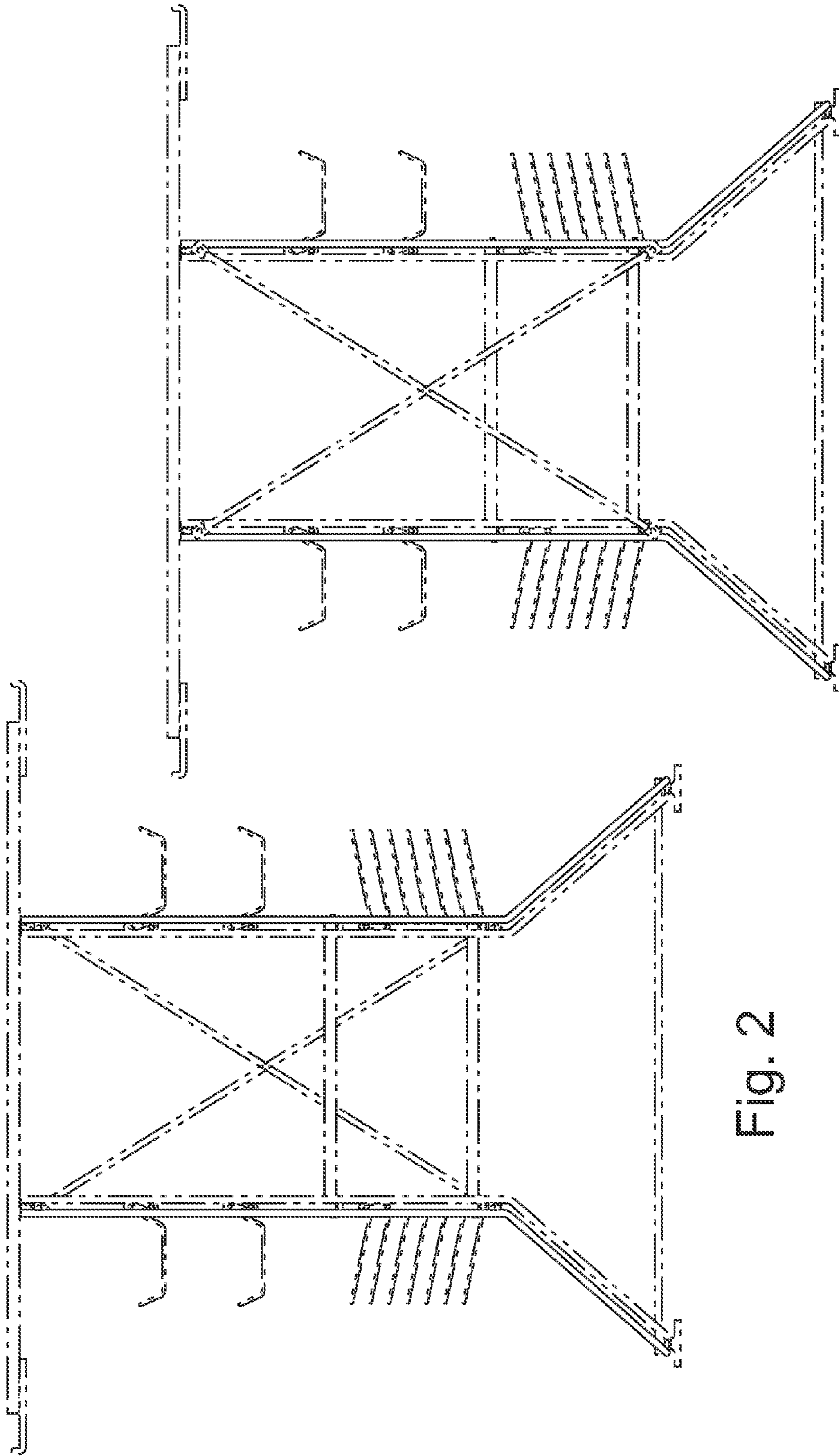


Fig. 3

Fig. 2

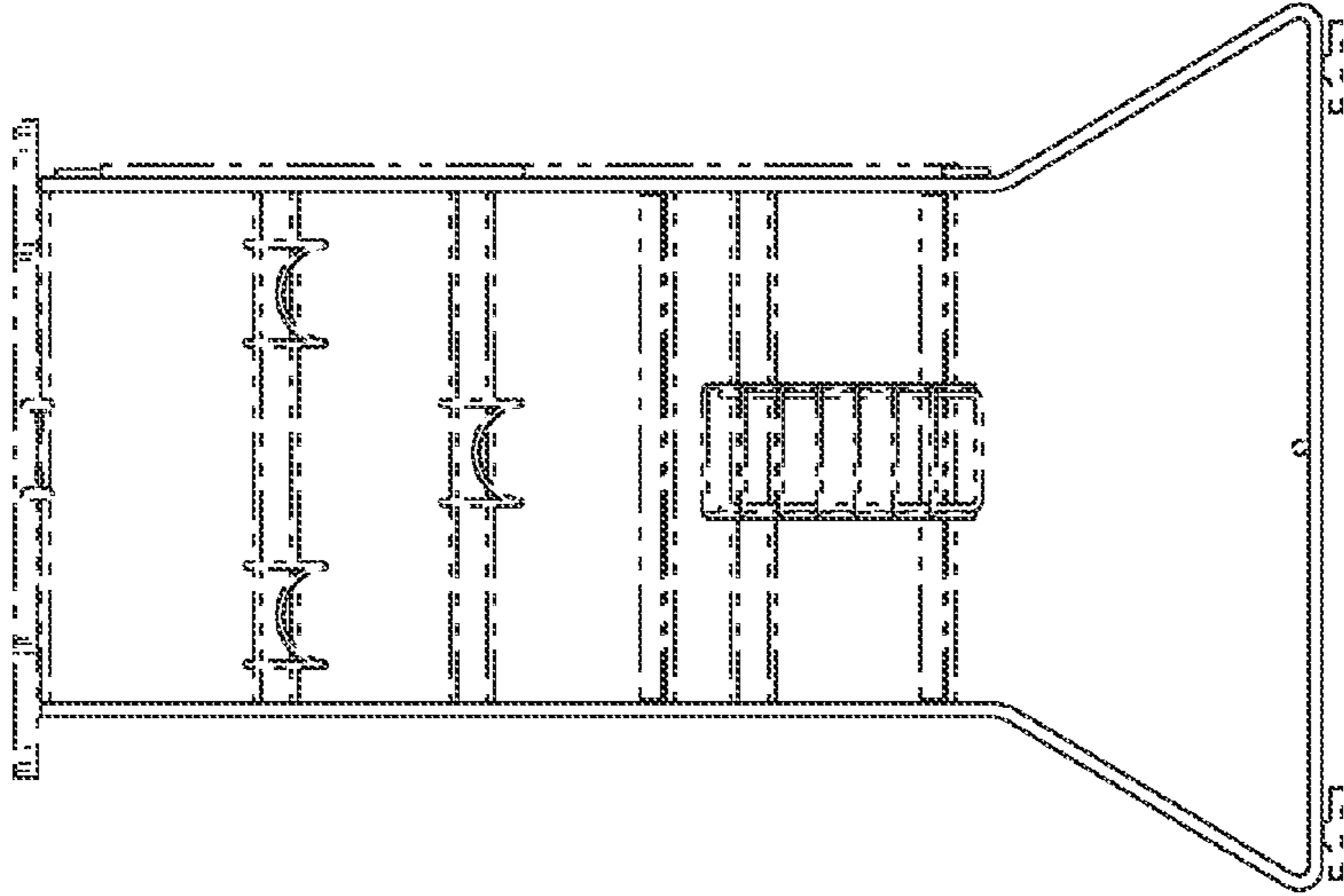


Fig. 5

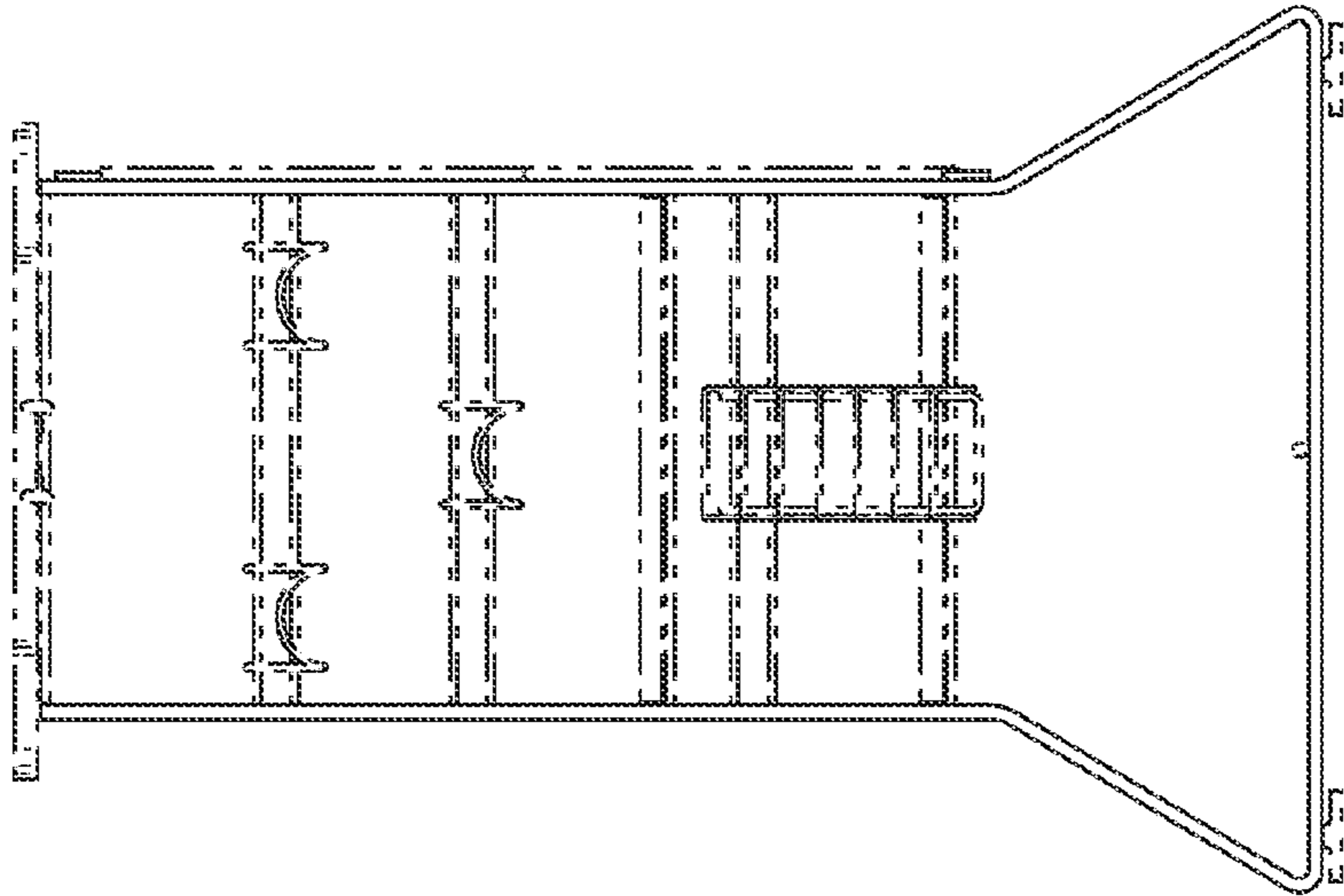


Fig. 4

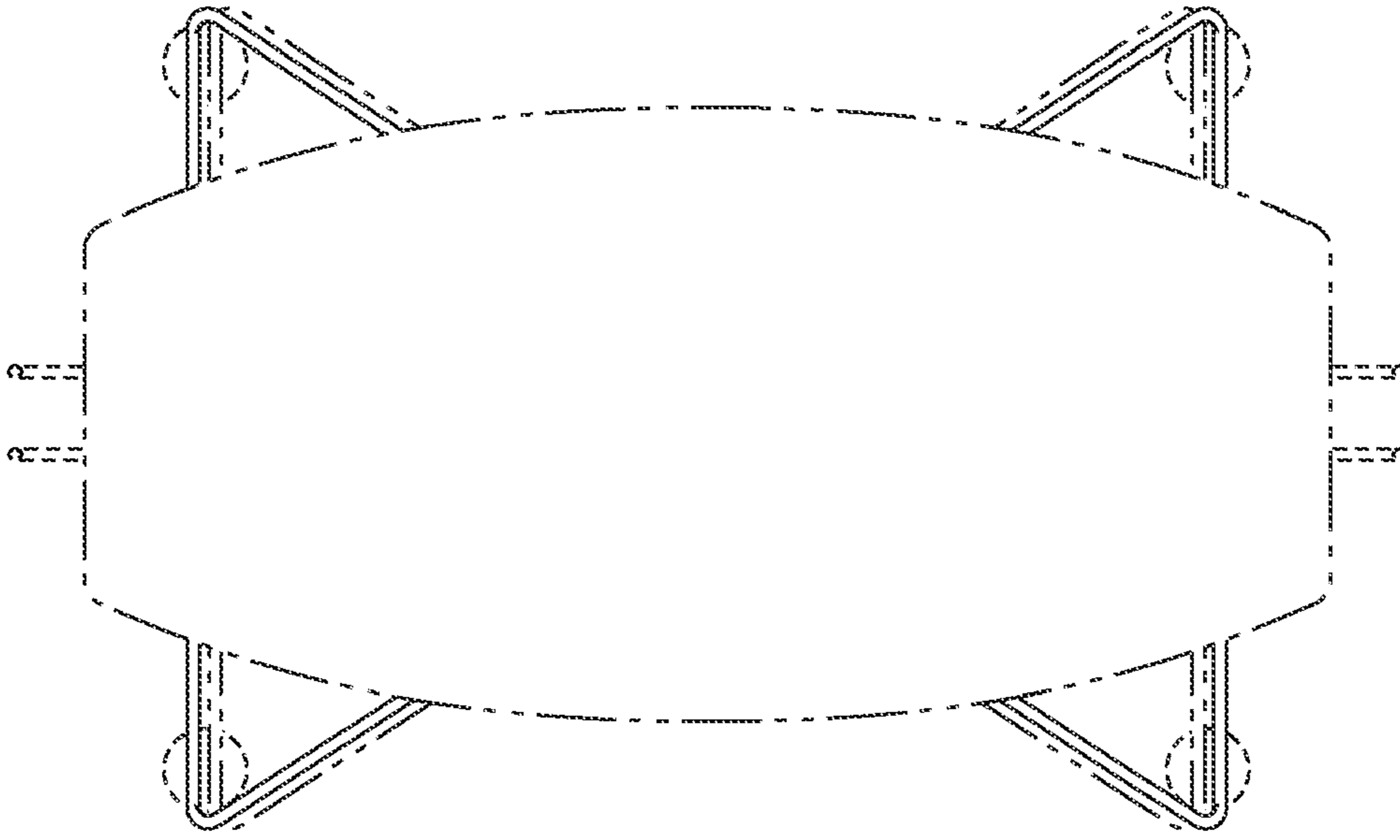


Fig. 6

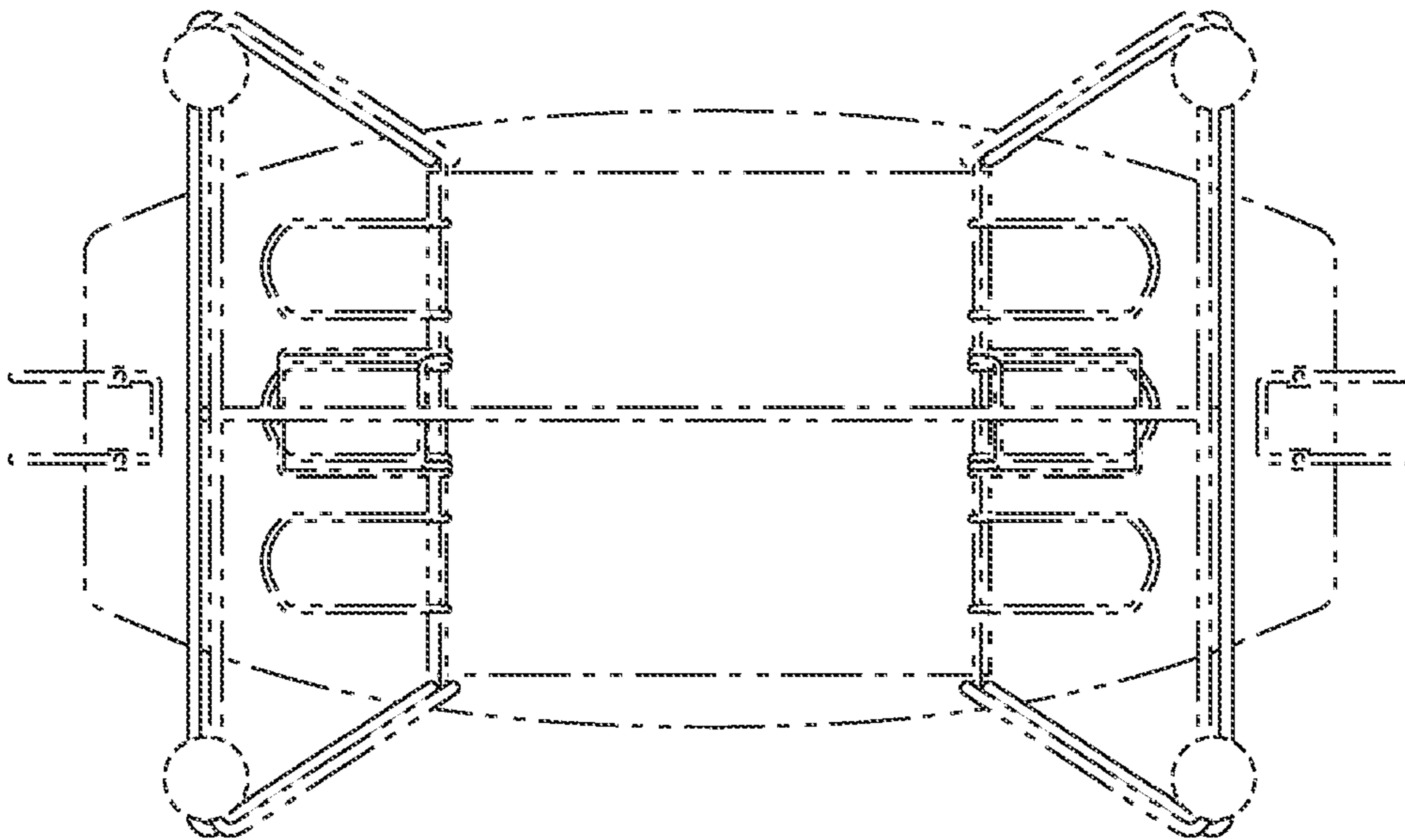


Fig. 7