



US00D624337S

(12) **United States Design Patent**
Kapasi

(10) **Patent No.:** **US D624,337 S**

(45) **Date of Patent:** **** Sep. 28, 2010**

(54) **TABLE**

(75) **Inventor:** **Ketan Kapasi**, Houston, TX (US)

(73) **Assignee:** **Ketan KAPASI**, Houston, TX (US)

(**) **Term:** **14 Years**

(21) **Appl. No.:** **29/343,718**

(22) **Filed:** **Sep. 17, 2009**

(51) **LOC (9) Cl.** **06-03**

(52) **U.S. Cl.** **D6/485; D6/482**

(58) **Field of Classification Search** D6/480-489,
D6/495-499, 511, 429-431; 108/150, 153.1,
108/155, 156, 157.1, 161; 248/188, 188.1,
248/188.8

See application file for complete search history.

(56) **References Cited**

U.S. PATENT DOCUMENTS

D262,171 S * 12/1981 Lustig D6/484

D333,673 S * 3/1993 Riggs et al. D18/12

D547,975 S * 8/2007 Lighthart D6/482

D554,910 S * 11/2007 Krady D6/485

D572,504 S * 7/2008 Machin D6/482

* cited by examiner

Primary Examiner—Janice E Seeger

(74) *Attorney, Agent, or Firm*—Gregory & Martensen LLP

(57) **CLAIM**

The ornamental design for a table, as shown and described.

DESCRIPTION

FIG. 1 is an isometric view of the table of the design;

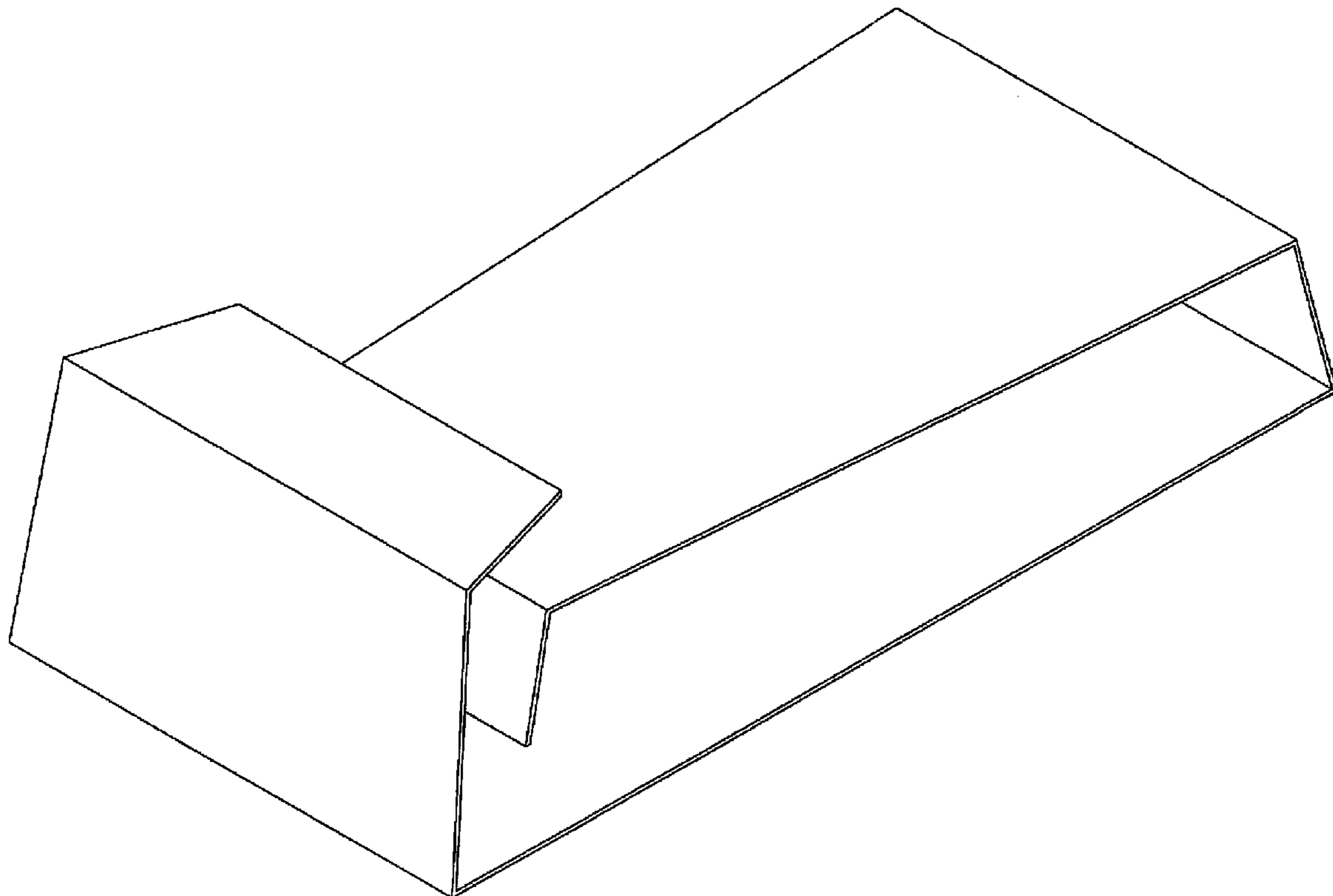
FIG. 2 is a front elevation view thereof;

FIG. 3 is a top plan view thereof;

FIG. 4 is a first side elevation view thereof; and,

FIG. 5 is a second side elevation view thereof.

1 Claim, 5 Drawing Sheets



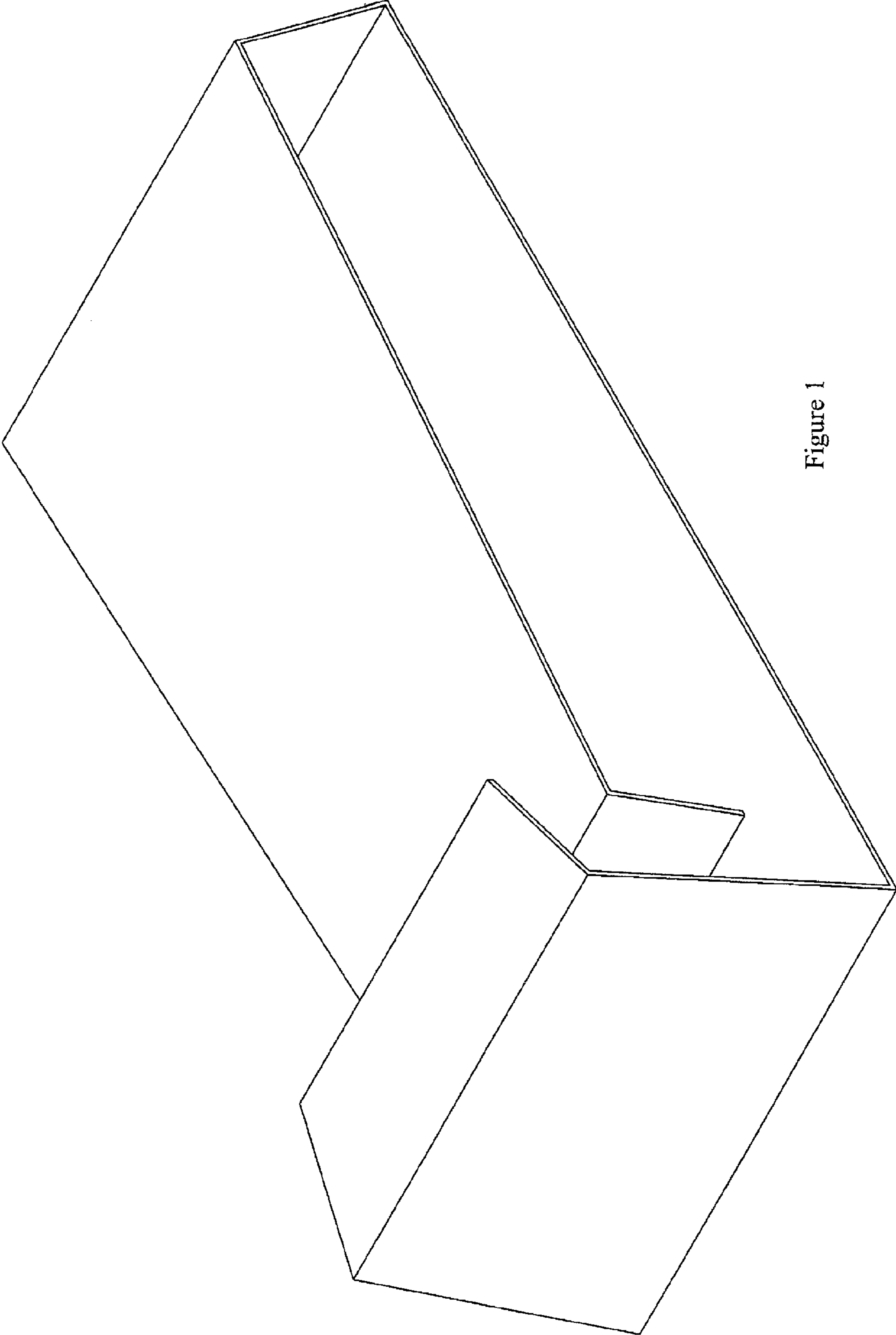


Figure 1

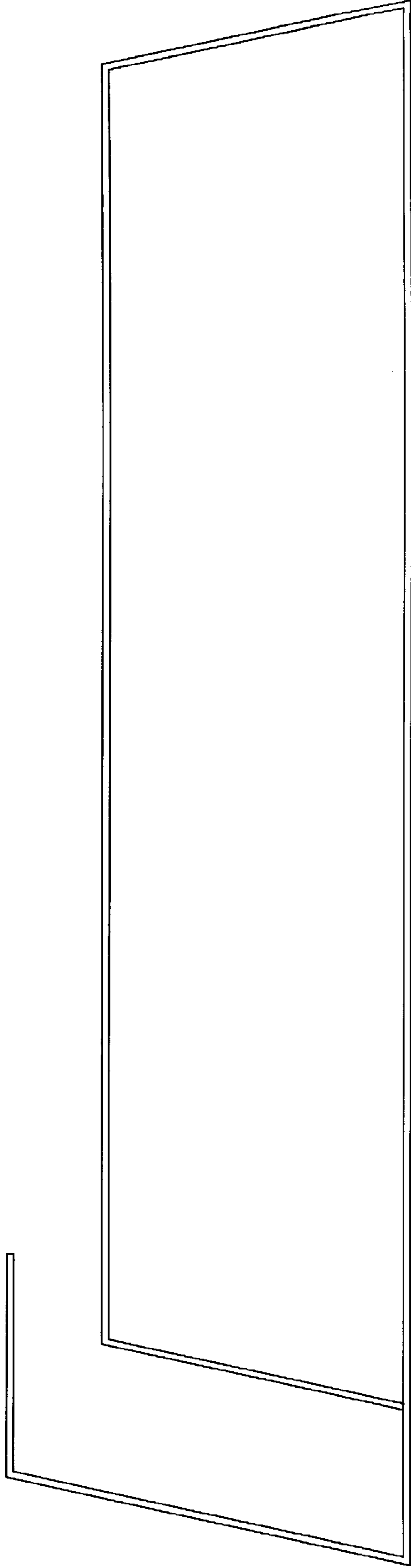


Figure 2

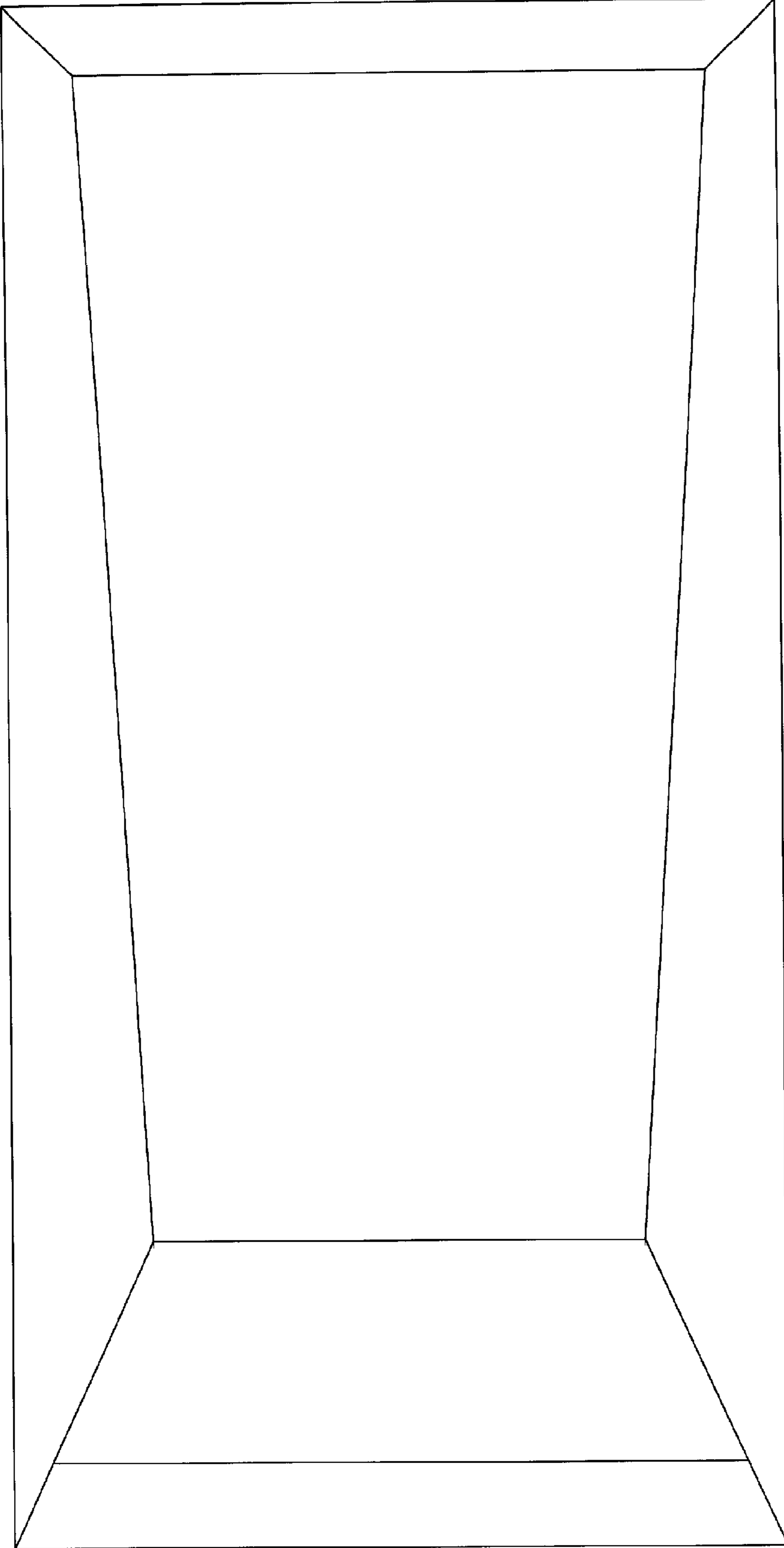


Figure 3

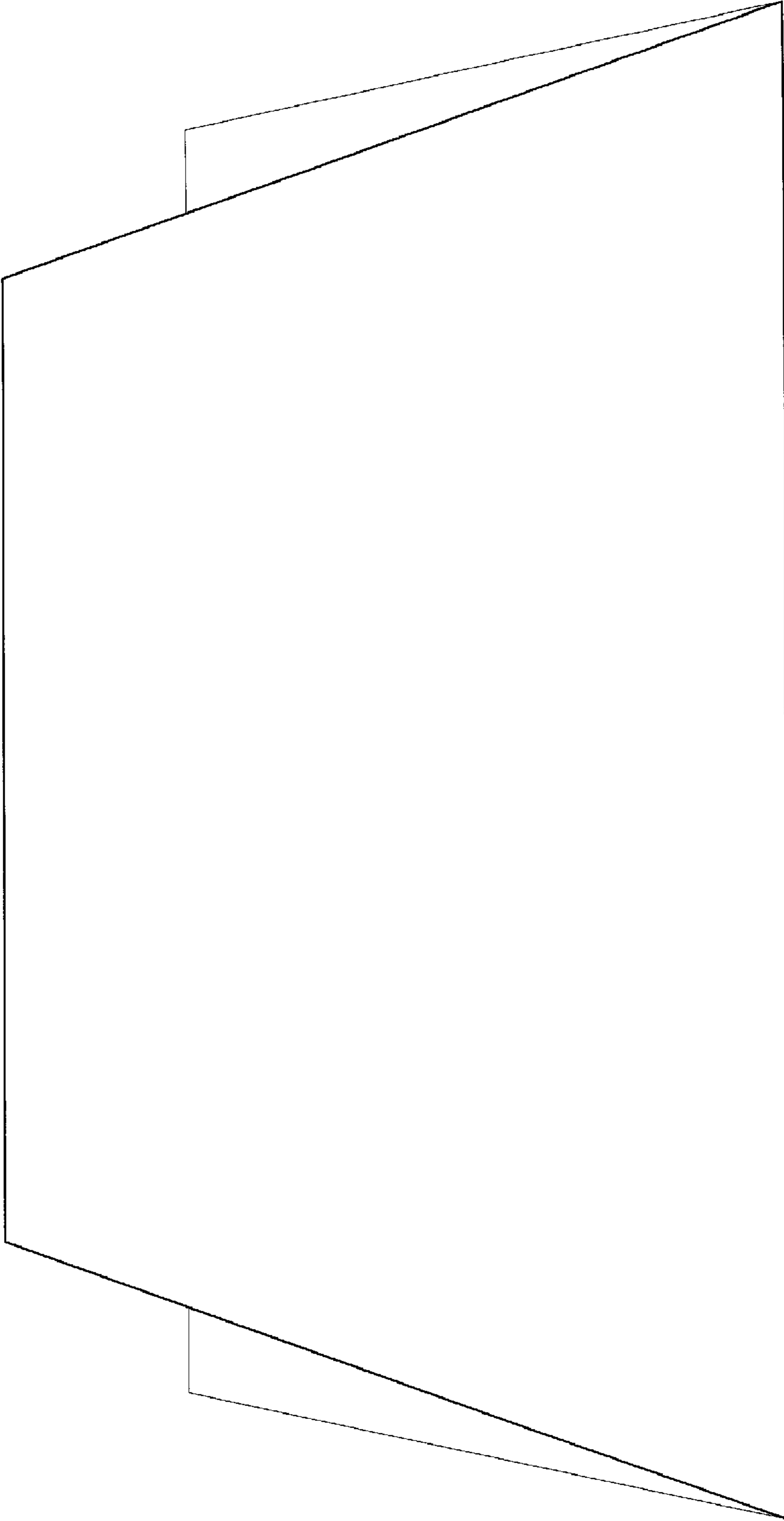


Figure 4

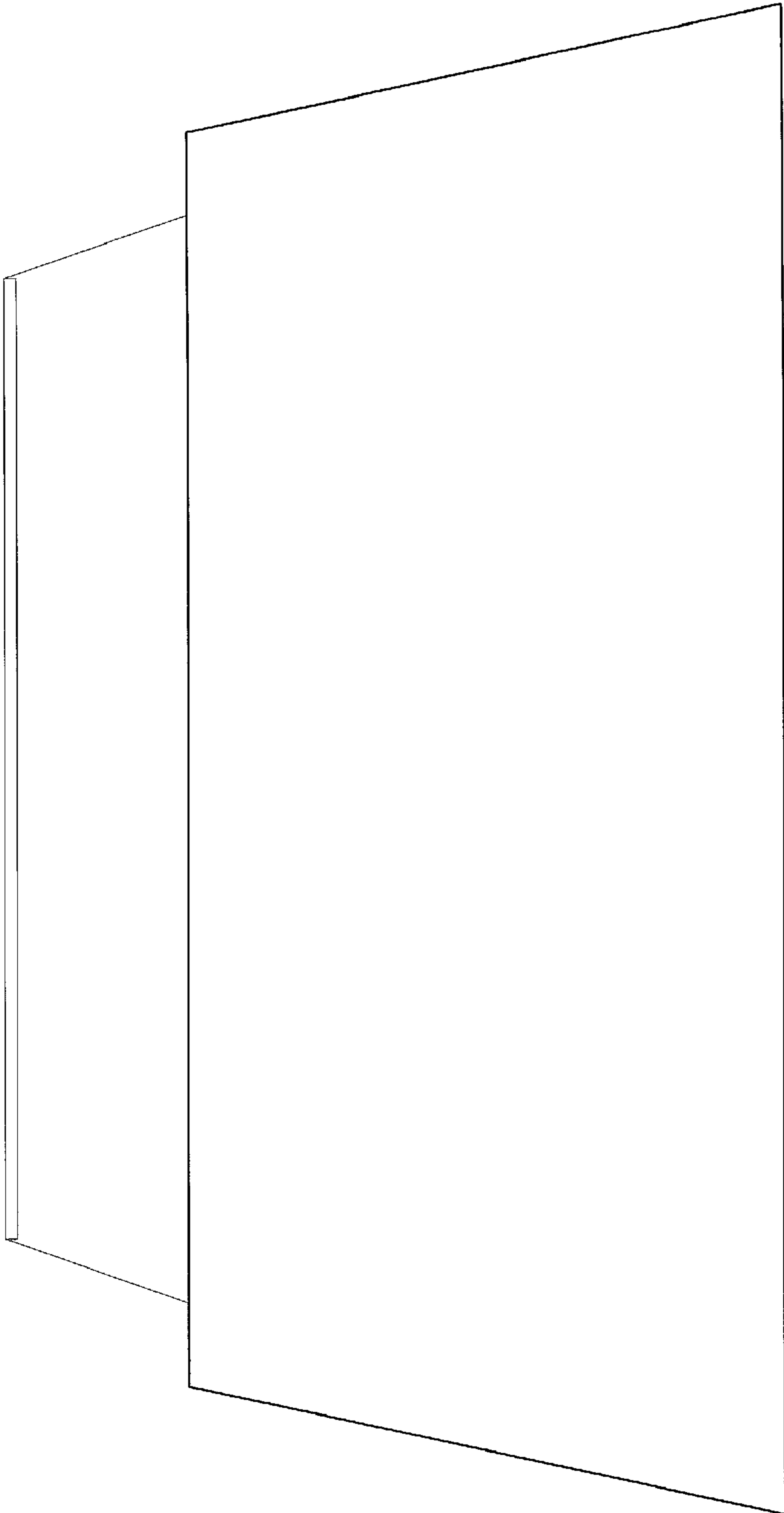


Figure 5