



US00D624336S

(12) **United States Design Patent**
Schultz

(10) **Patent No.:** **US D624,336 S**

(45) **Date of Patent:** **** Sep. 28, 2010**

(54) **DINING TABLE**

D508,625 S * 8/2005 Frenkler et al. D6/484

(76) **Inventor:** **Peter Schultz**, 144 Hillcrest Rd., Barto,
PA (US) 19504

* cited by examiner

Primary Examiner—Janice E Seeger

(74) *Attorney, Agent, or Firm*—Thomas A. O'Rourke;
Bodner & O'Rourke, LLP

(**) **Term:** **14 Years**

(21) **Appl. No.:** **29/315,710**

(57) **CLAIM**

(22) **Filed:** **Jul. 16, 2009**

The ornamental design for a dining table, as shown and described.

(51) **LOC (9) Cl.** **06-03**

(52) **U.S. Cl.** **D6/484**

(58) **Field of Classification Search** D6/480-489,
D6/511, 495-499, 429-431; 108/150, 152,
108/153.1, 157.1, 161; 248/188, 188.1, 188.7,
248/188.8

DESCRIPTION

FIG. 1 is a perspective view of a dining table of the present invention.

FIG. 2 is a front and back view of a dining table of the present invention.

FIG. 3 is a side view of a dining table of the present invention.

FIG. 4 is a top view of a dining table of the present invention; and,

FIG. 5 is a bottom view of a dining table of the present invention.

The broken lines are for environmental purposes only and form no part of the claimed design.

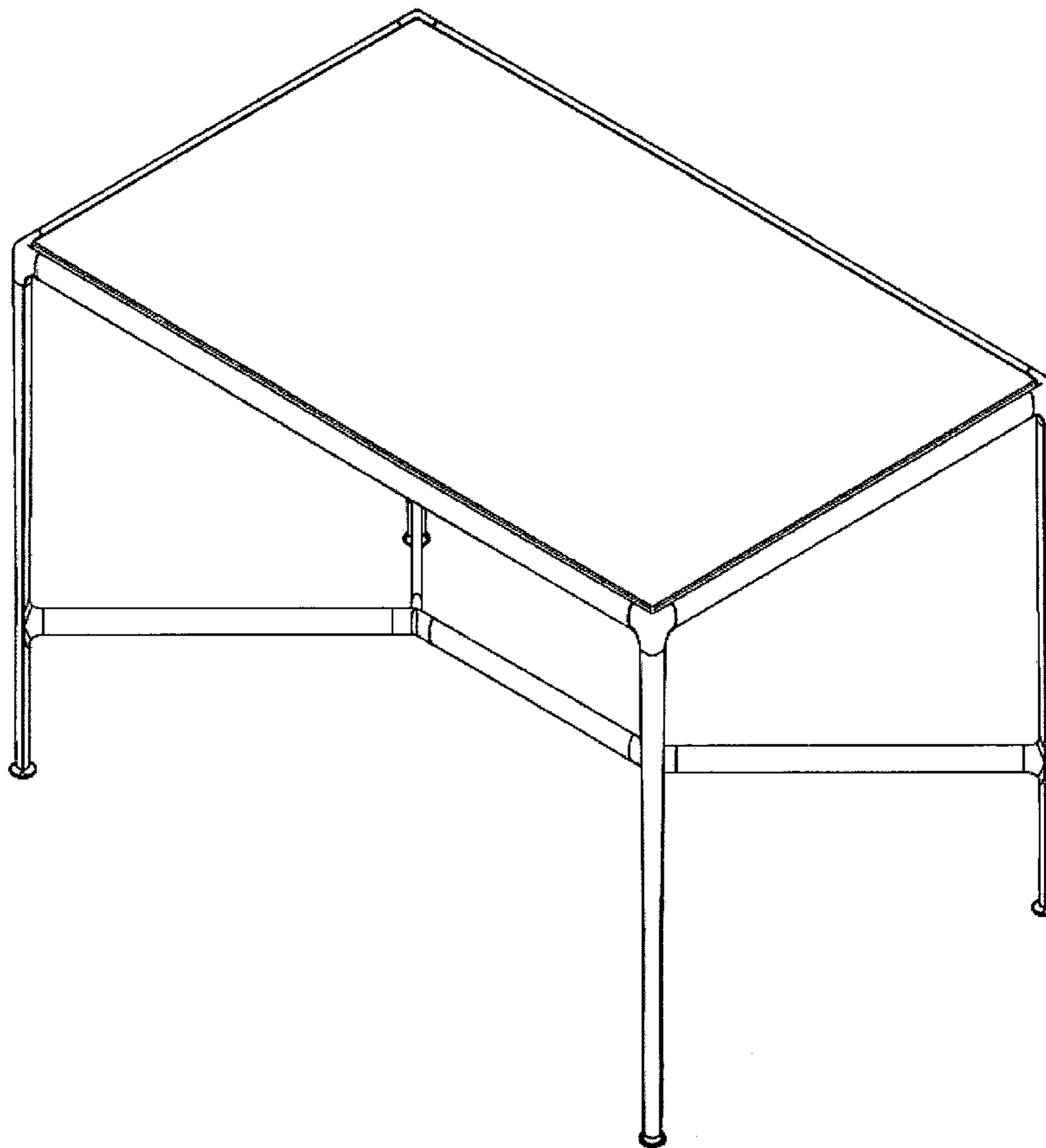
See application file for complete search history.

(56) **References Cited**

U.S. PATENT DOCUMENTS

- D104,153 S * 4/1937 Wilson D6/484
- D228,106 S * 8/1973 Klotz D6/484
- D239,584 S * 4/1976 Vrignaud D6/484
- D278,577 S * 4/1985 Gwathmey et al. D6/484
- D424,840 S * 5/2000 Newhouse D6/484

1 Claim, 5 Drawing Sheets



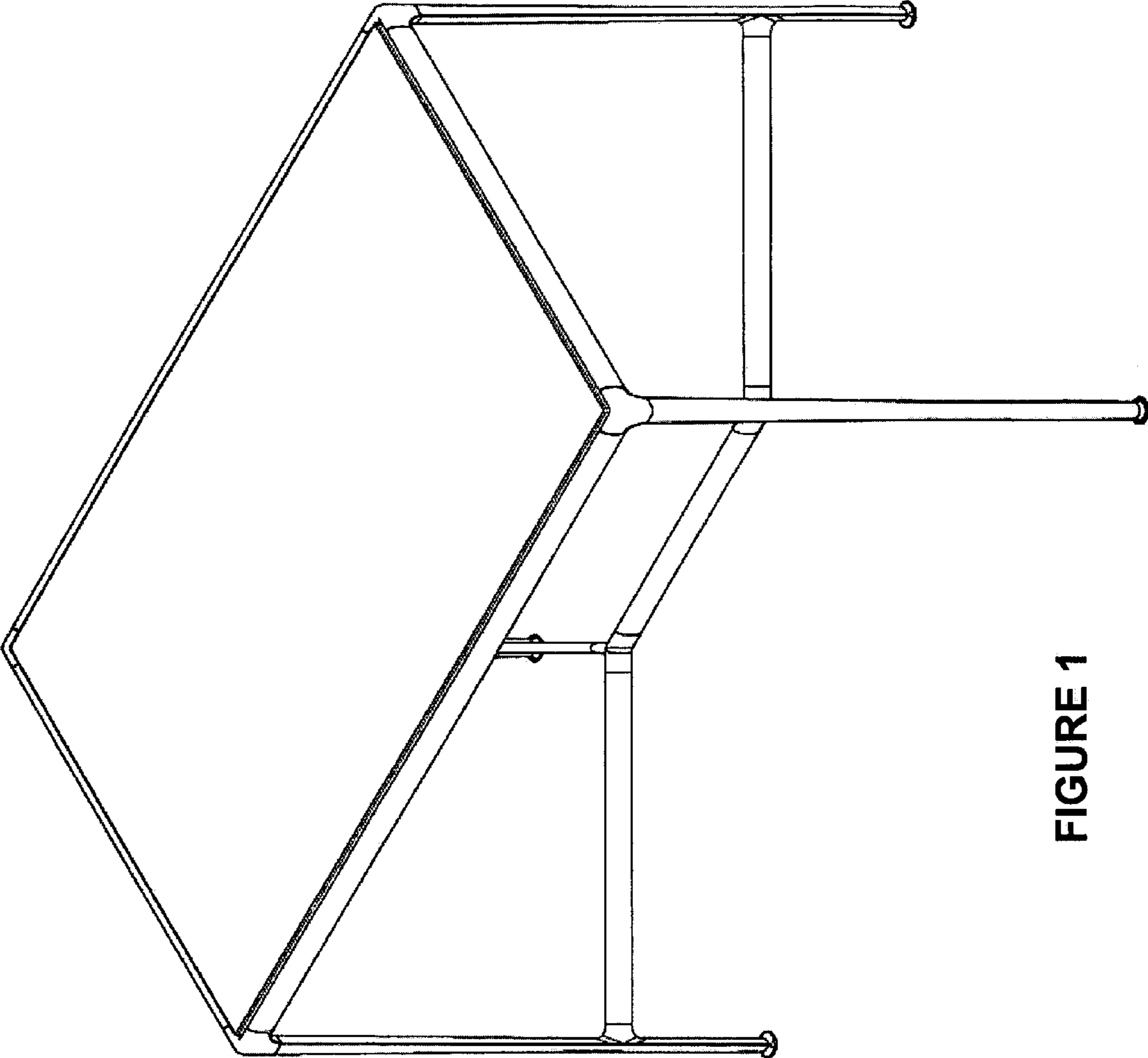


FIGURE 1

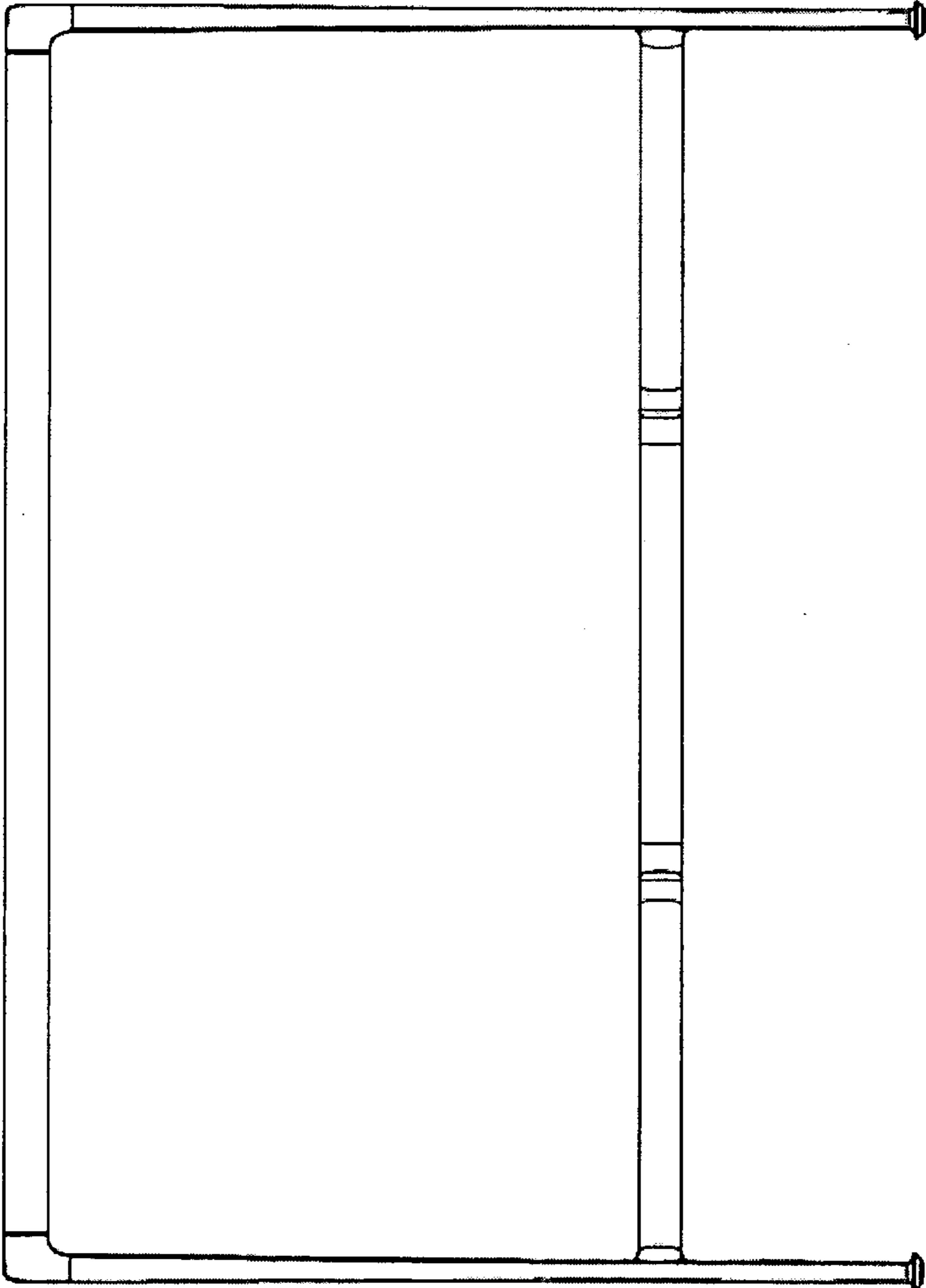


FIGURE 2

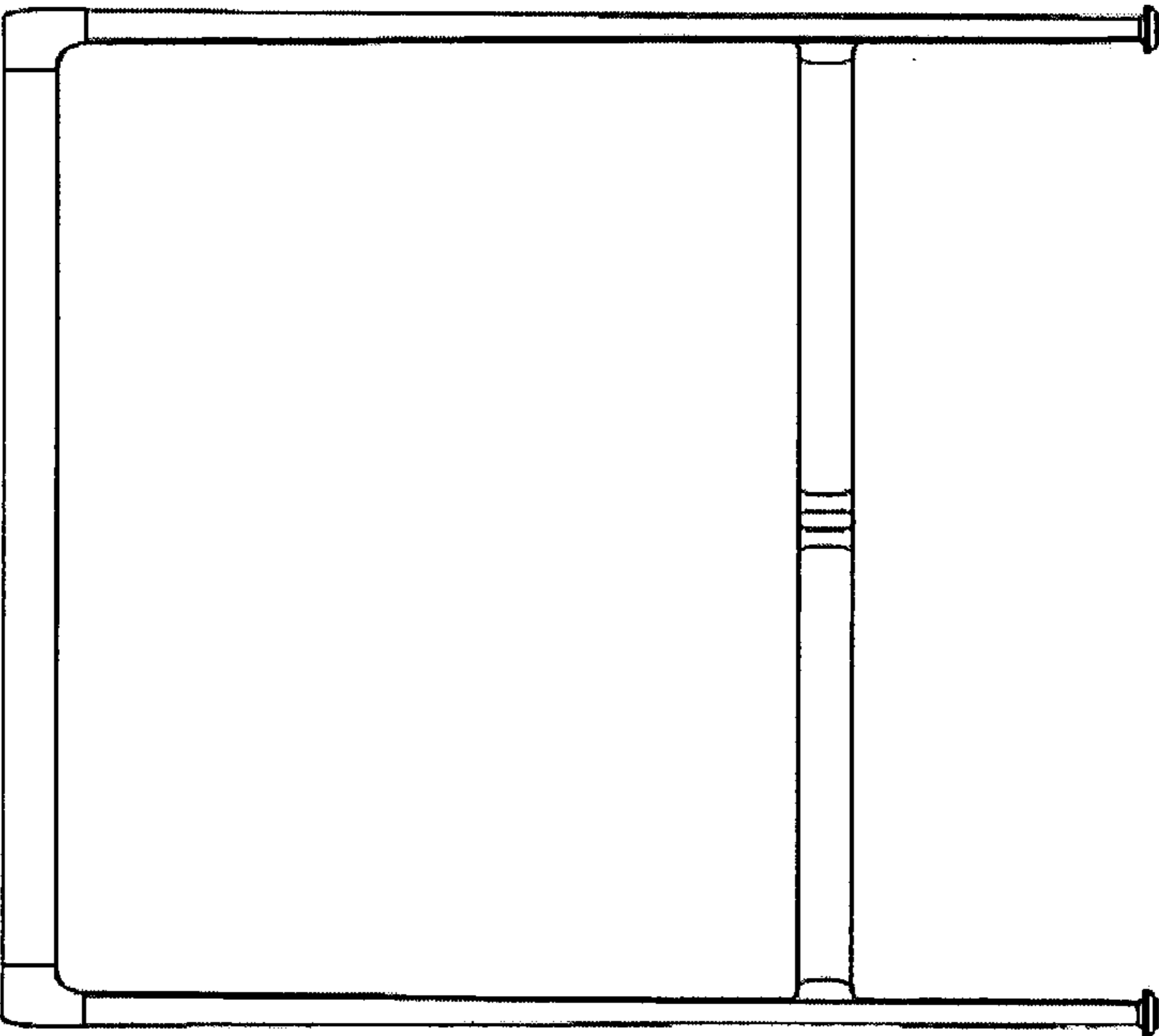


FIGURE 3

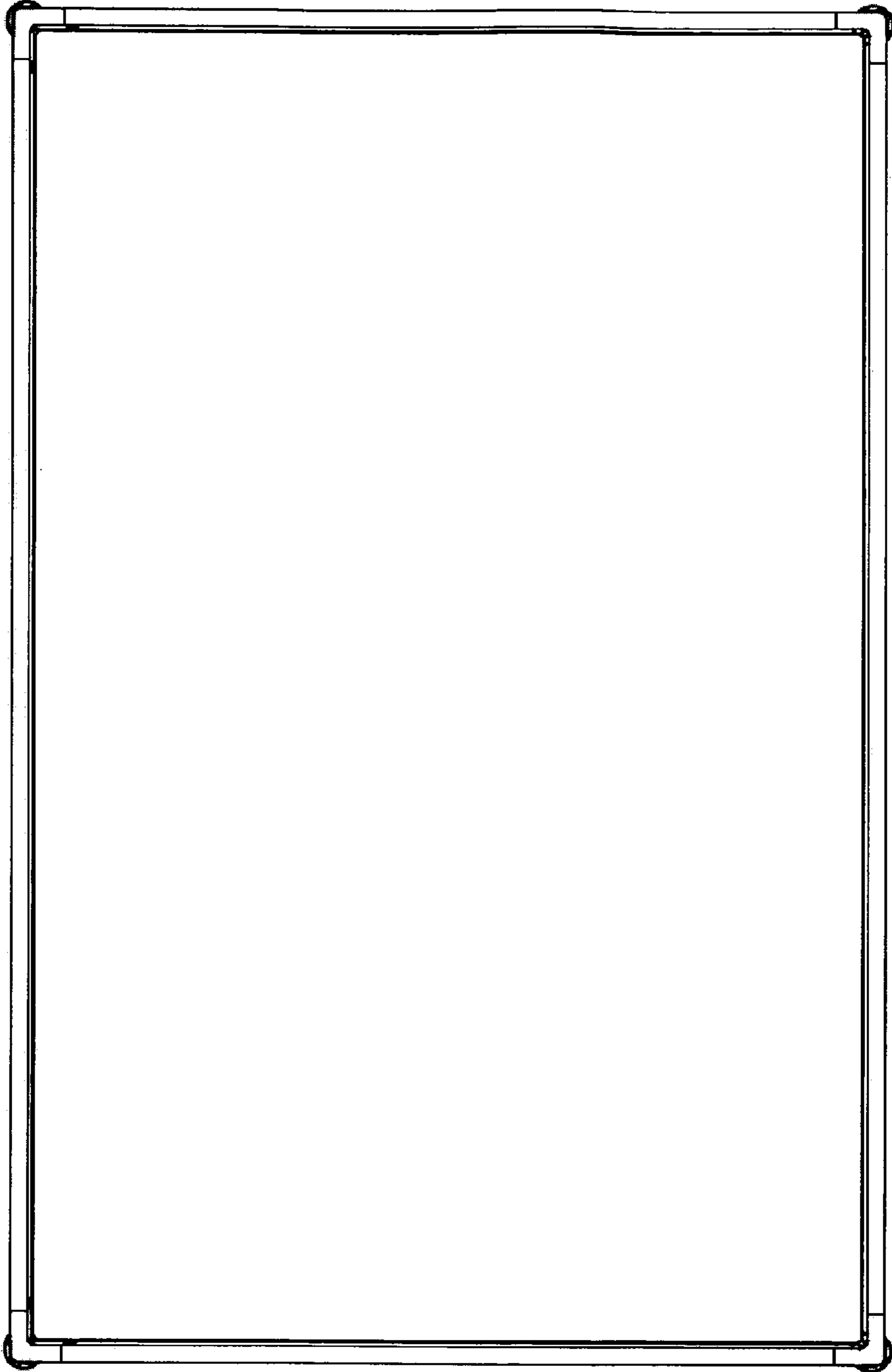


FIGURE 4

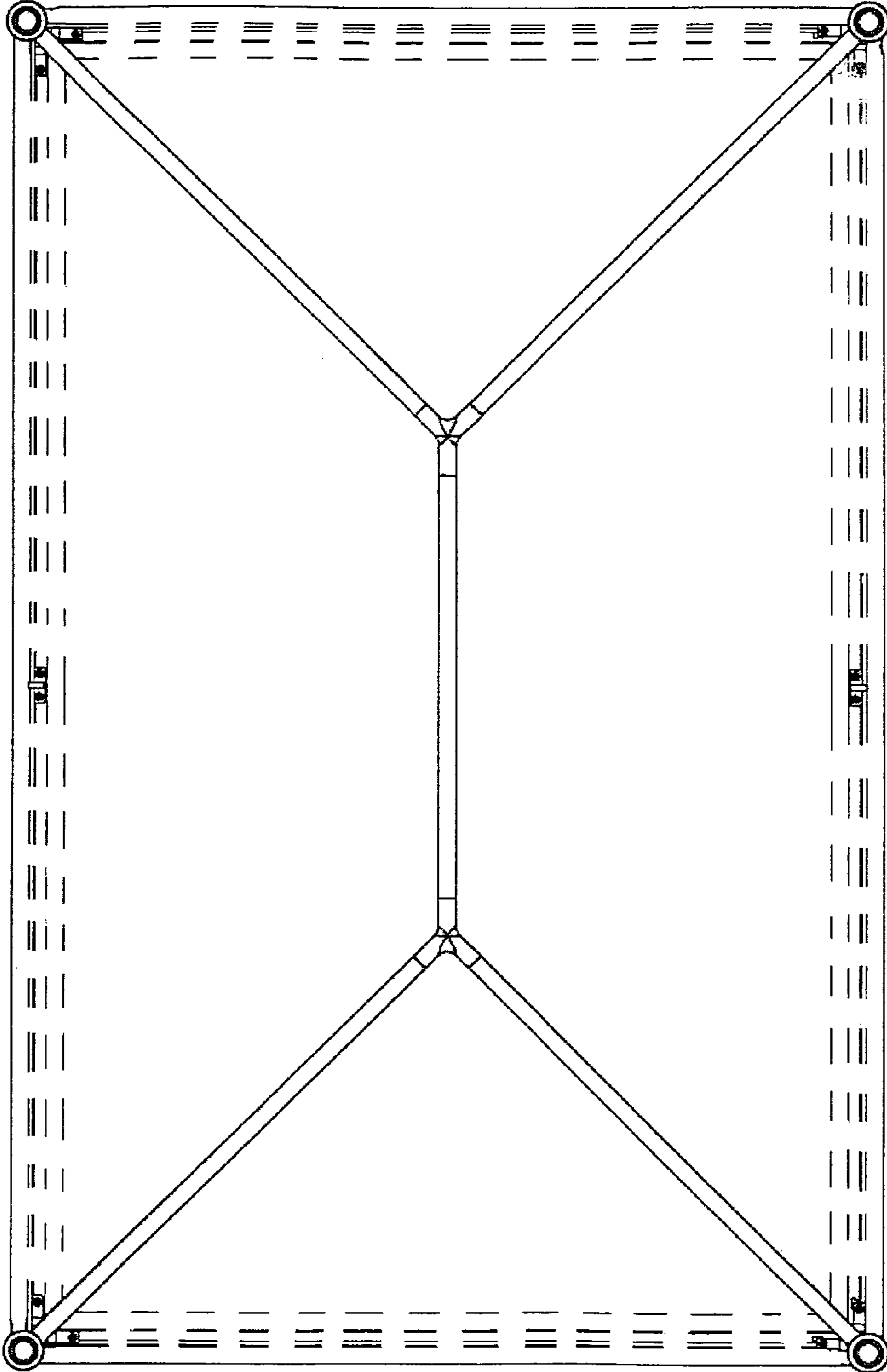


FIGURE 5