



US00D624331S

(12) **United States Design Patent**
Kosten

(10) **Patent No.:** **US D624,331 S**

(45) **Date of Patent:** **** Sep. 28, 2010**

(54) **STOCKING CADDY**

(76) Inventor: **Donald L. Kosten**, 8842 Rocky Ridge Rd., Indianapolis, IN (US) 46217

(**) Term: **14 Years**

(21) Appl. No.: **29/344,780**

(22) Filed: **Oct. 5, 2009**

(51) **LOC (9) Cl.** **06-04**

(52) **U.S. Cl.** **D6/450**

(58) **Field of Classification Search** D6/456,
D6/458, 449, 396, 450, 457; D7/637-641;
211/70, 85.7, 85.2, 85.26, 13.1, 85.3, 30,
211/33; 248/146, 152

See application file for complete search history.

(56) **References Cited**

U.S. PATENT DOCUMENTS

D24,680	S	*	9/1895	Davison	D6/450
D200,032	S	*	1/1965	Starke	D6/458
4,971,593	A	*	11/1990	Mayhall et al.	211/70
D375,023	S	*	10/1996	Cohen et al.	D7/641
D380,107	S	*	6/1997	Redfearn	D6/458

* cited by examiner

Primary Examiner—Philip S Hyder
Assistant Examiner—Sydney R Buffalow

(74) *Attorney, Agent, or Firm*—Barnes & Thornburg LLP

(57) **CLAIM**

The ornamental design for a stocking caddy, as shown and described.

DESCRIPTION

FIG. 1 illustrates a perspective view of an embodiment of a stocking caddy showing my new design with stockings, which do not form any part of my new design, illustrated in broken lines;

FIG. 2 illustrates a front elevational view of the stocking caddy illustrated in FIG. 1;

FIG. 3 illustrates a top plan view of the stocking caddy illustrated in FIGS. 1-2;

FIG. 4 illustrates a bottom plan view of the stocking caddy illustrated in FIGS. 1-3;

FIG. 5 illustrates a left side elevational view of the stocking caddy illustrated in FIGS. 1-4;

FIG. 6 illustrates a right side elevational view of the stocking caddy illustrated in FIGS. 1-5; and,

FIG. 7 illustrates a rear elevational view of the stocking caddy illustrated in FIGS. 1-6.

1 Claim, 2 Drawing Sheets

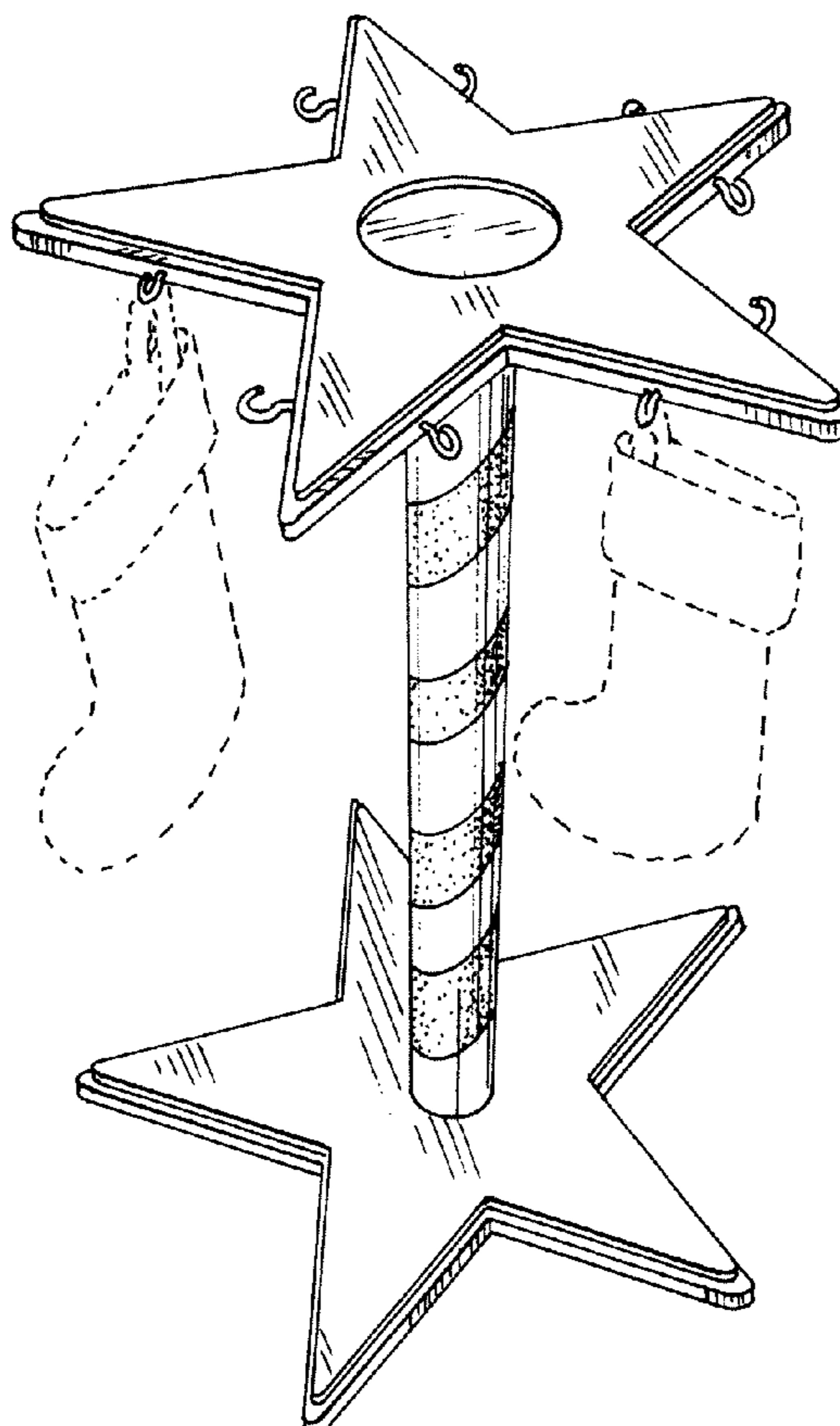


FIG. 1

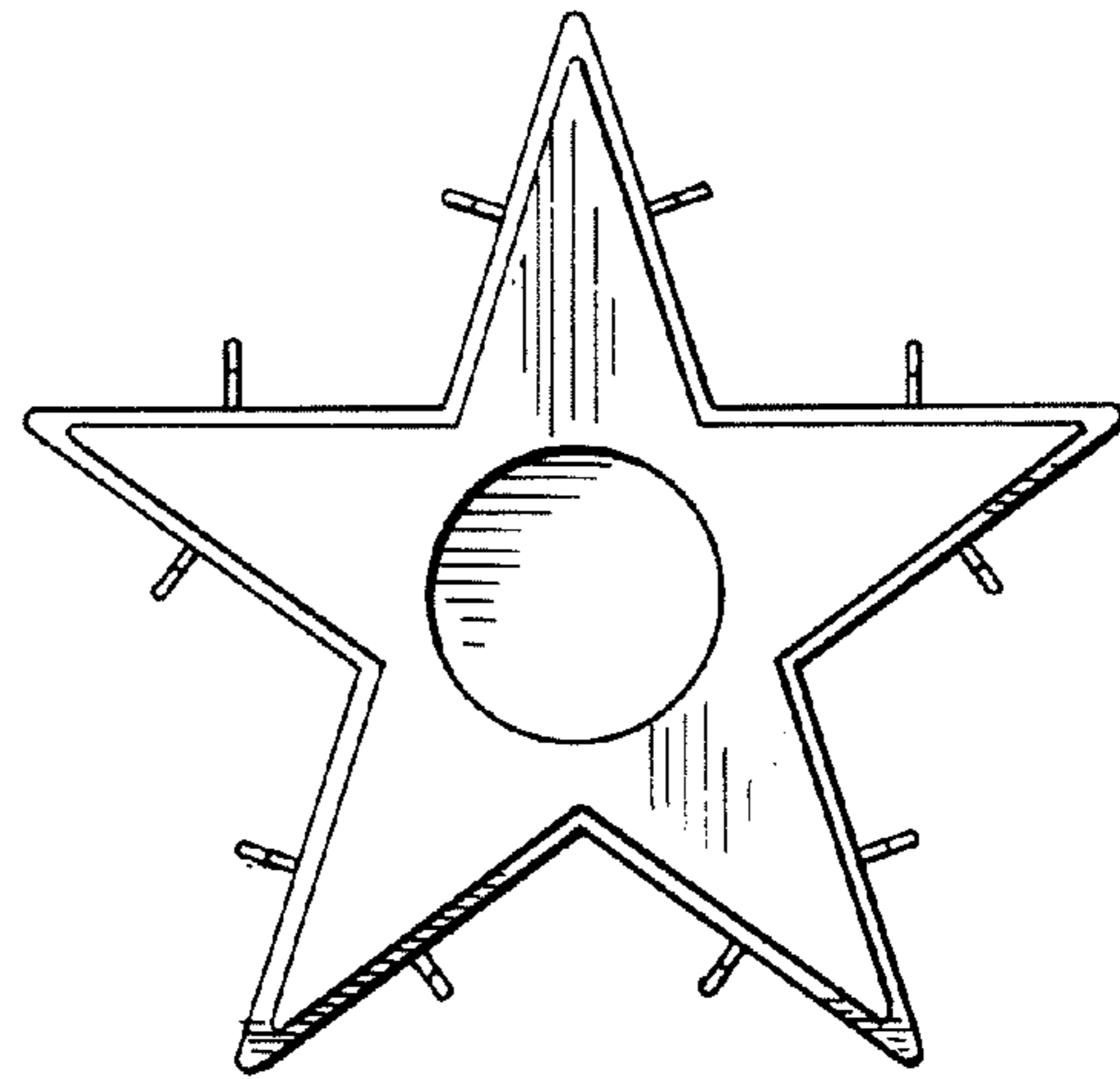
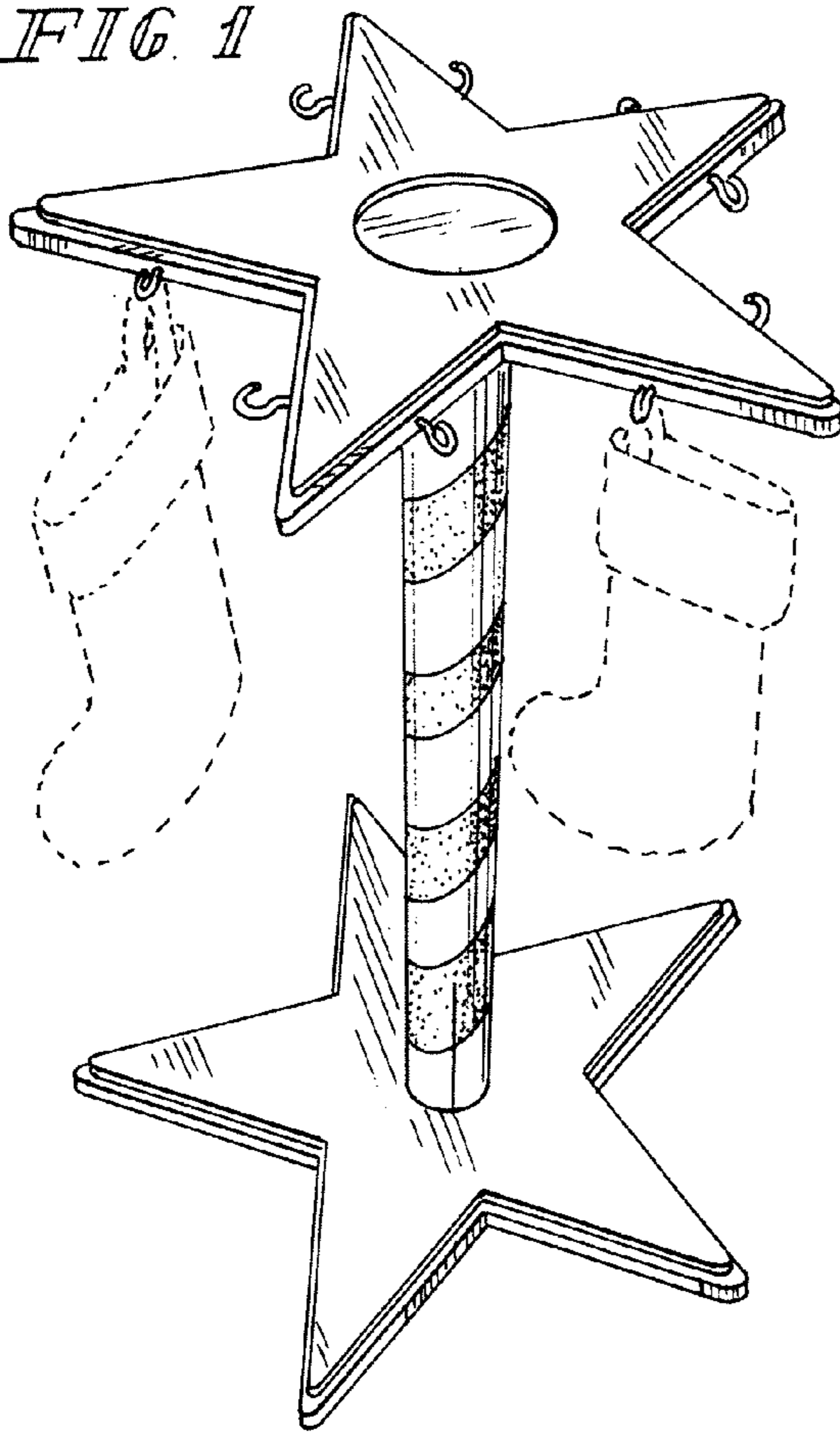


FIG. 3

FIG. 2

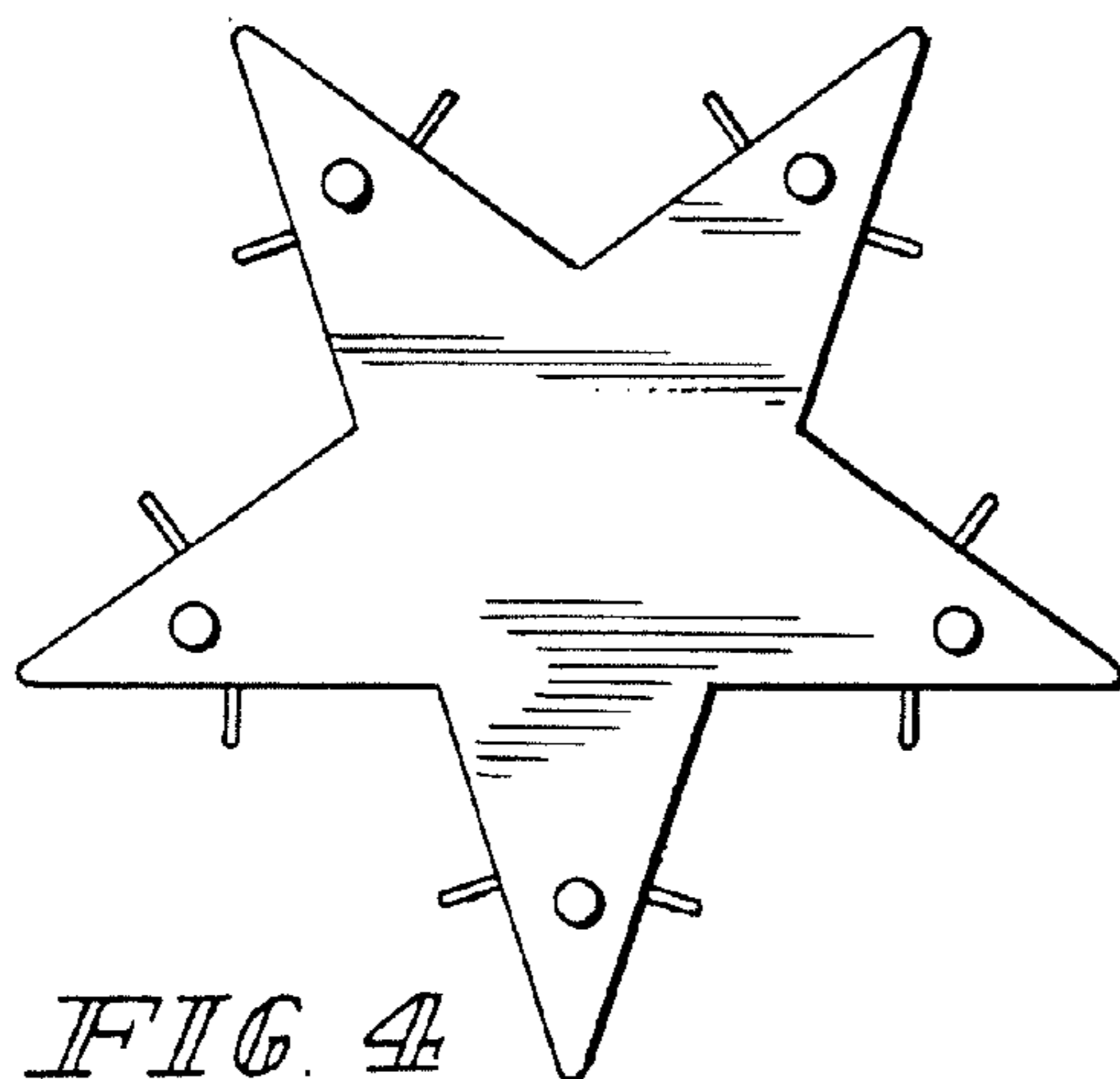
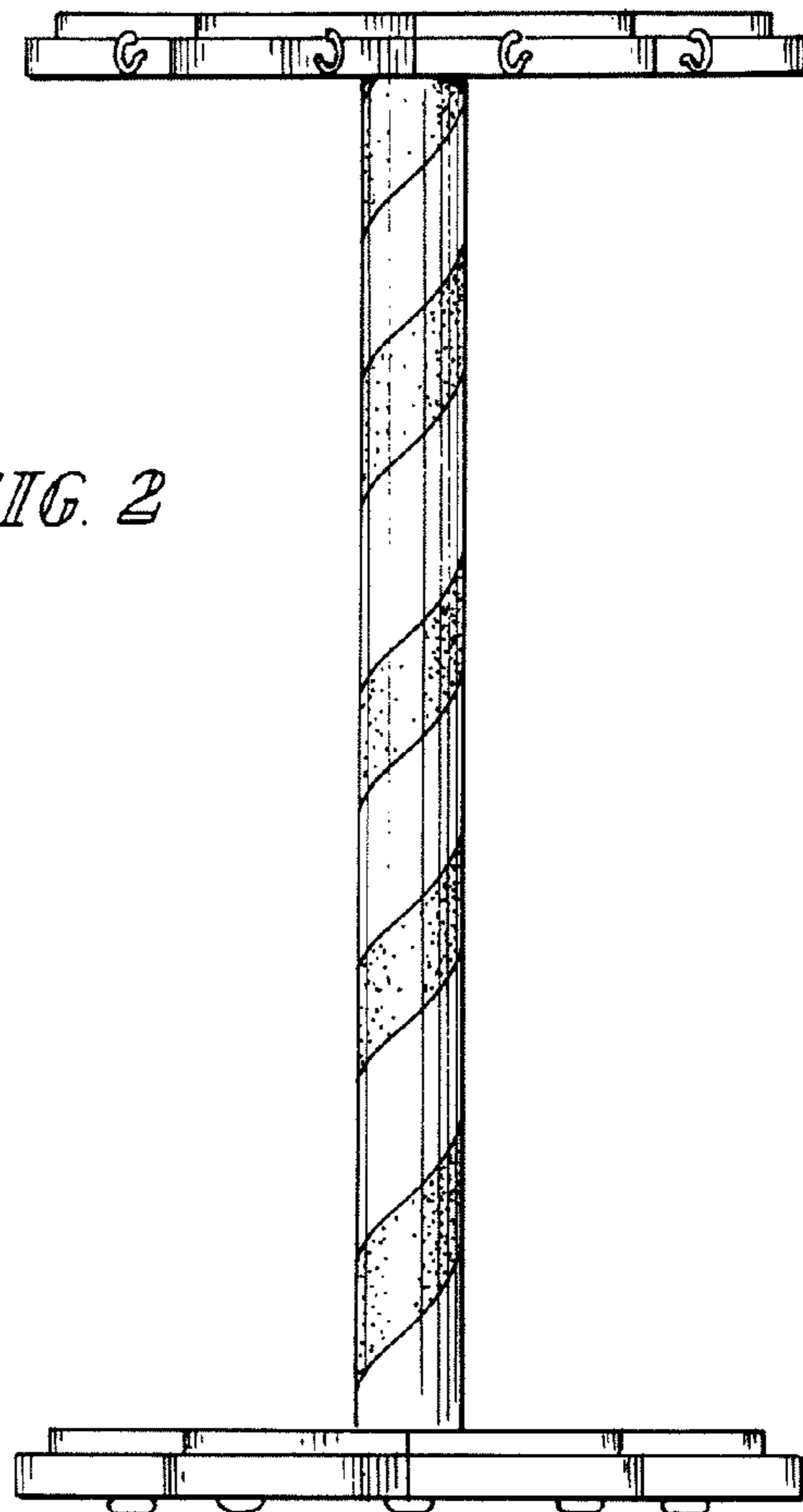


FIG. 4

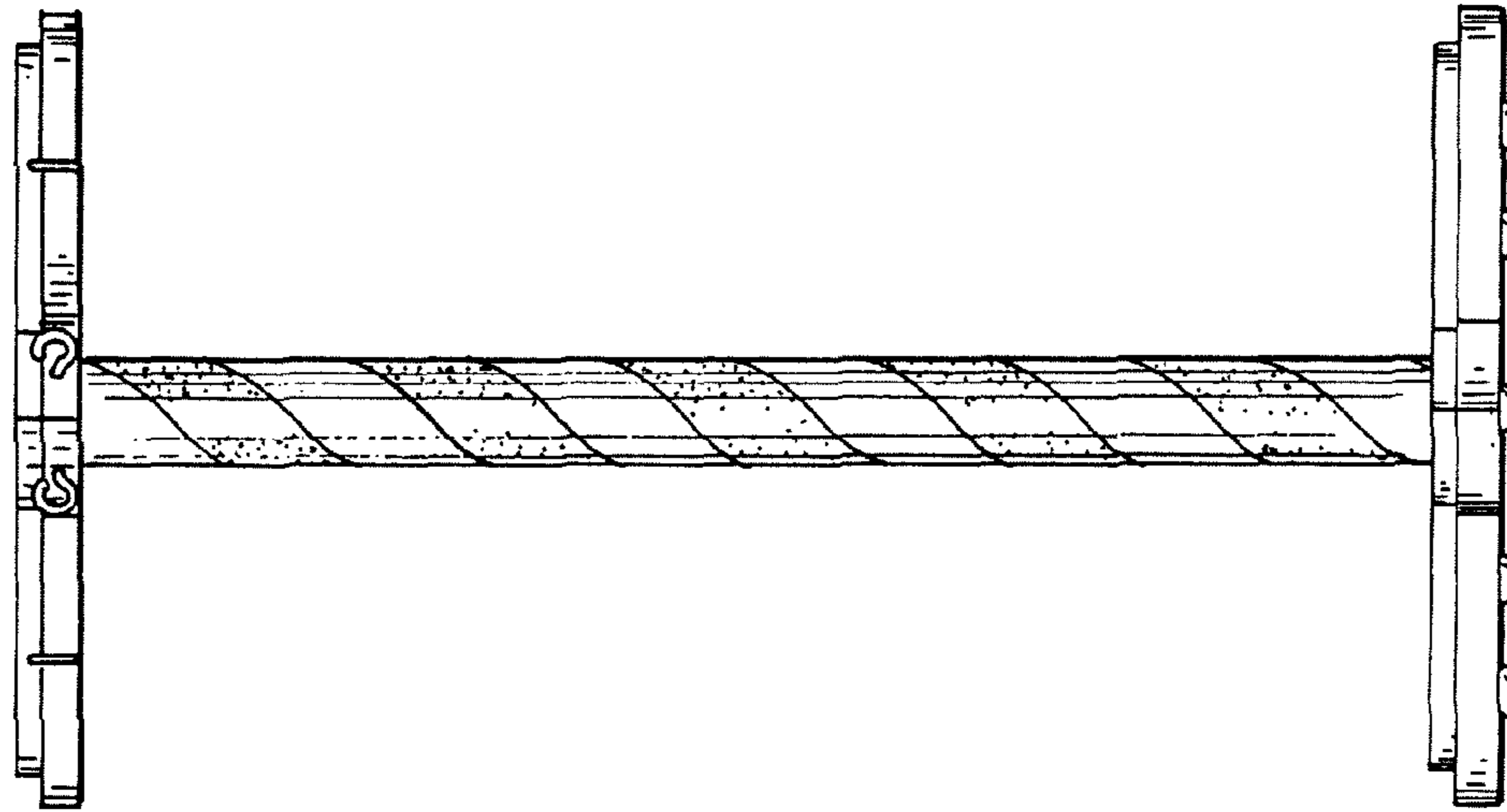


FIG. 7

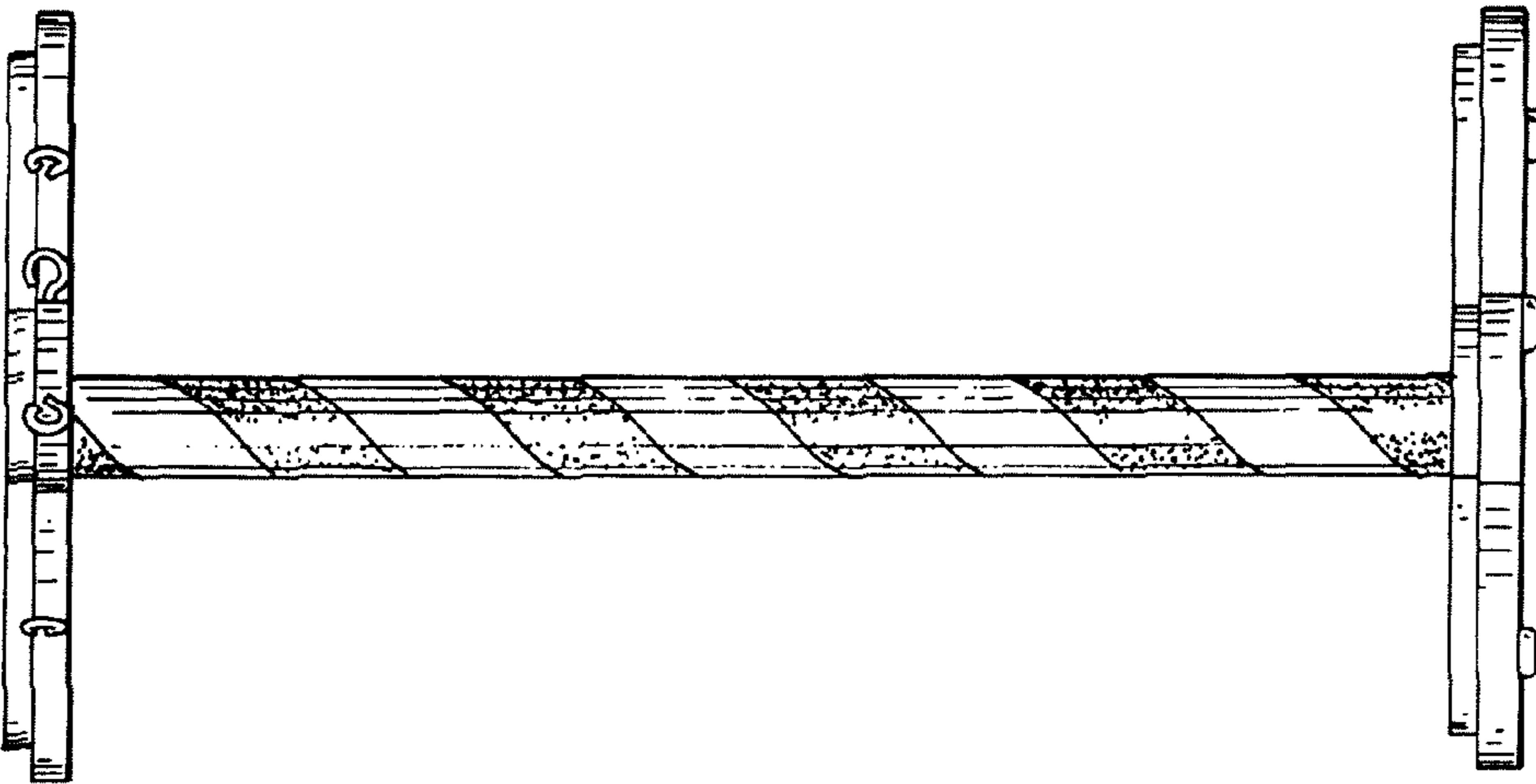


FIG. 6

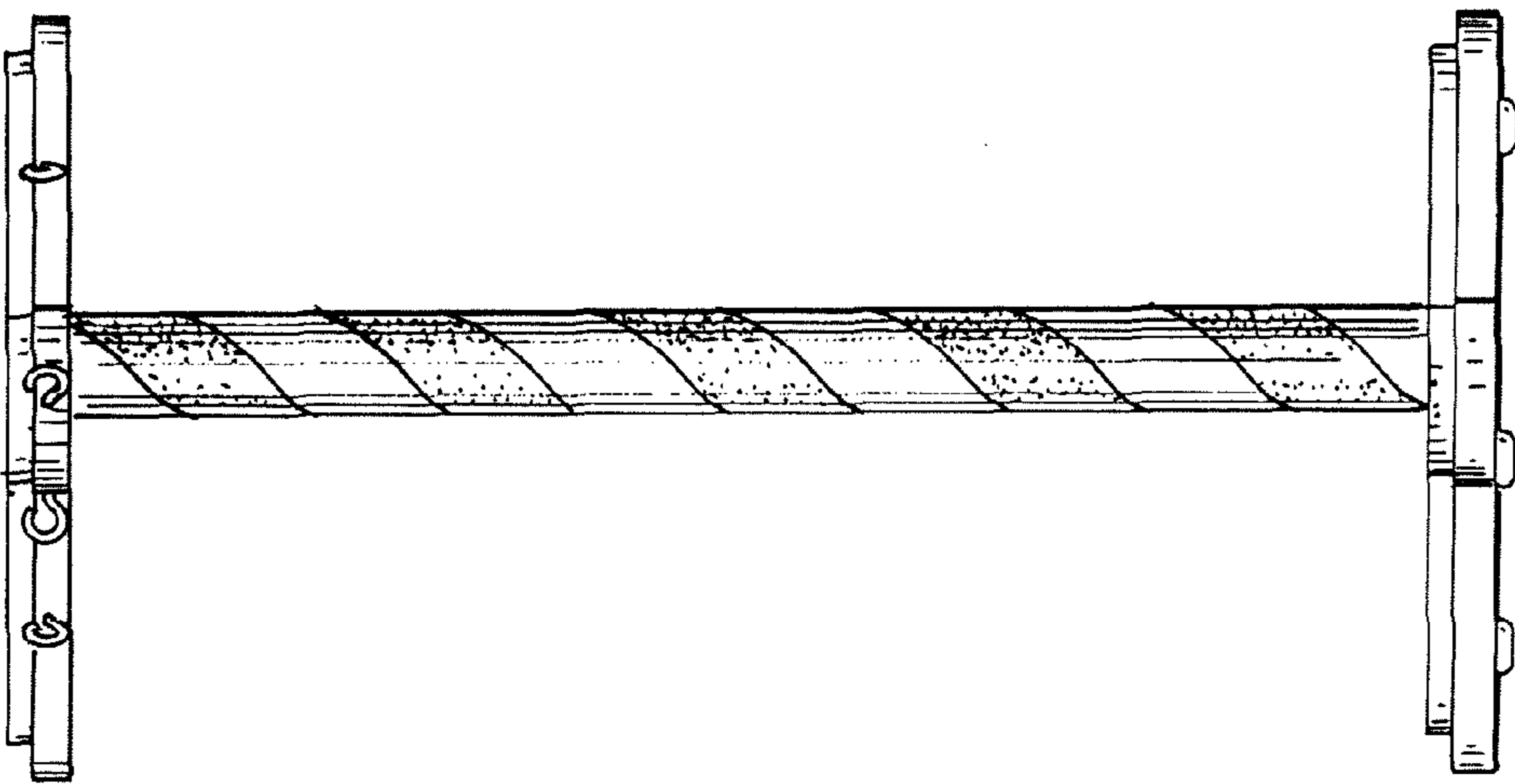


FIG. 5