

US00D624329S

(12) **United States Design Patent**
Presnell

(10) **Patent No.:** **US D624,329 S**

(45) **Date of Patent:** **** *Sep. 28, 2010**

(54) **CHANGING STATION**

(75) Inventor: **Donald C. Presnell**, Stephens City, VA (US)

(73) Assignee: **Rubbermaid Commercial Products LLC**, Winchester, VA (US)

(**) Term: **14 Years**

(21) Appl. No.: **29/329,929**

(22) Filed: **Dec. 23, 2008**

(51) **LOC (9) Cl.** **06-02**

(52) **U.S. Cl.** **D6/391**

(58) **Field of Classification Search** D6/390,
D6/391, 331, 333; 5/93.1, 97, 98.1, 99.1,
5/93.2, 947; D23/278

See application file for complete search history.

(56) **References Cited**

U.S. PATENT DOCUMENTS

4,876,970	A *	10/1989	Bolduc	108/35
D314,112	S *	1/1991	Dainty	D6/555
5,754,999	A	5/1998	Helmsderfer		
5,950,627	A	9/1999	Bologovsky		
6,055,688	A *	5/2000	Helmsderfer et al.	5/655
6,151,737	A	11/2000	Henninge		
D523,655	S *	6/2006	Giampavolo	D6/391

* cited by examiner

Primary Examiner—Janice E Seeger

(74) *Attorney, Agent, or Firm*—Marshall, Gerstein & Borun LLP

(57) **CLAIM**

I claim the ornamental design for a changing station, as shown and described.

DESCRIPTION

FIG. 1 is a top front perspective view of a first embodiment of a changing station according to my new design;

FIG. 2 is a front view of the changing station shown in FIG. 1;

FIG. 3 is a rear view of the changing station shown in FIG. 1;

FIG. 4 is a right side view of the changing station shown in FIG. 1;

FIG. 5 is a left side view of the changing station shown in FIG. 1;

FIG. 6 is a top view of the changing station shown in FIG. 1; and,

FIG. 7 is a bottom view of the changing station shown in FIG. 1.

The ornamental design which is claimed is shown in solid lines in the drawings. The broken lines in the drawings are for illustrative purposes only and form no part of the claimed design.

1 Claim, 5 Drawing Sheets

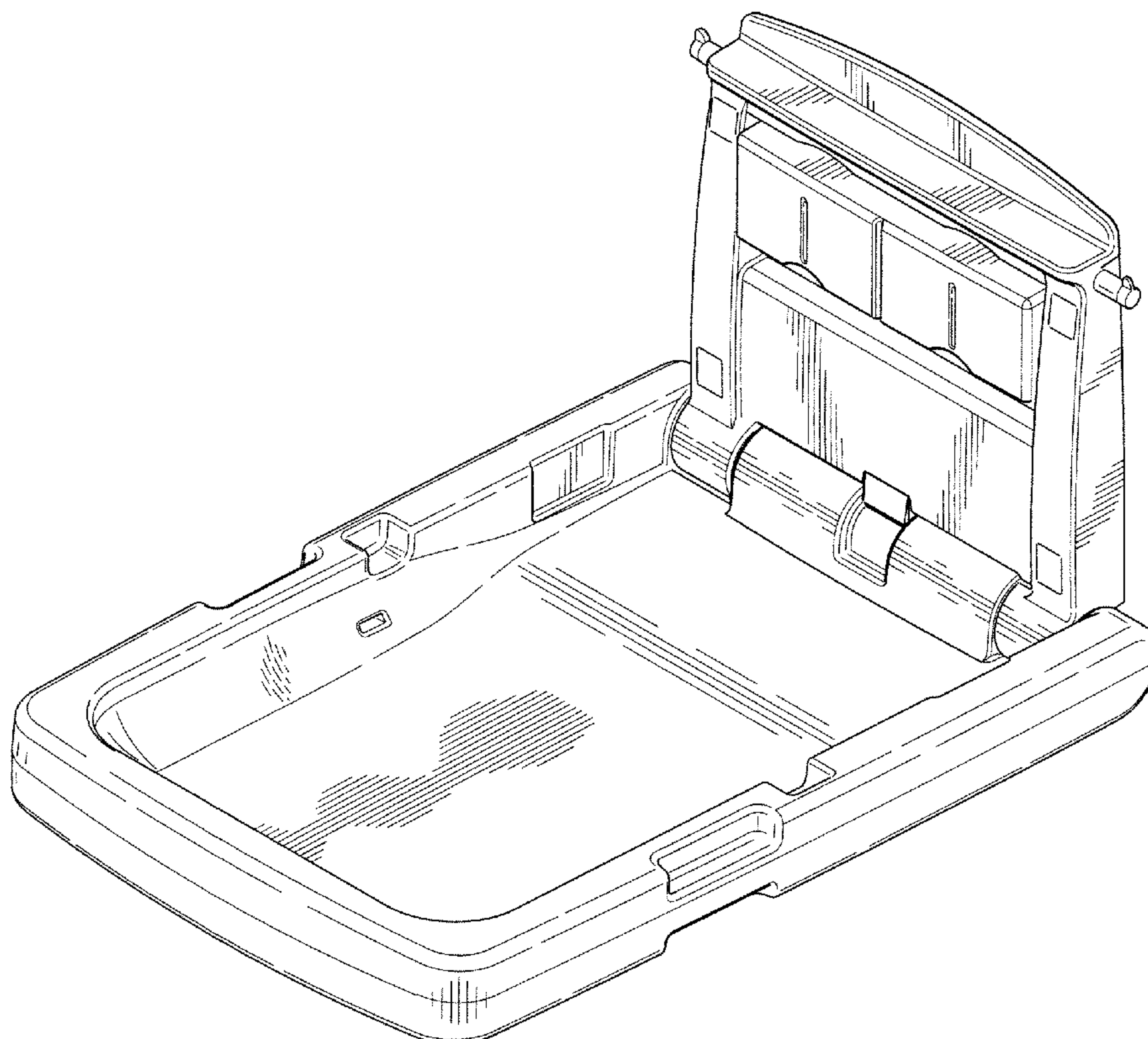


Fig. 1

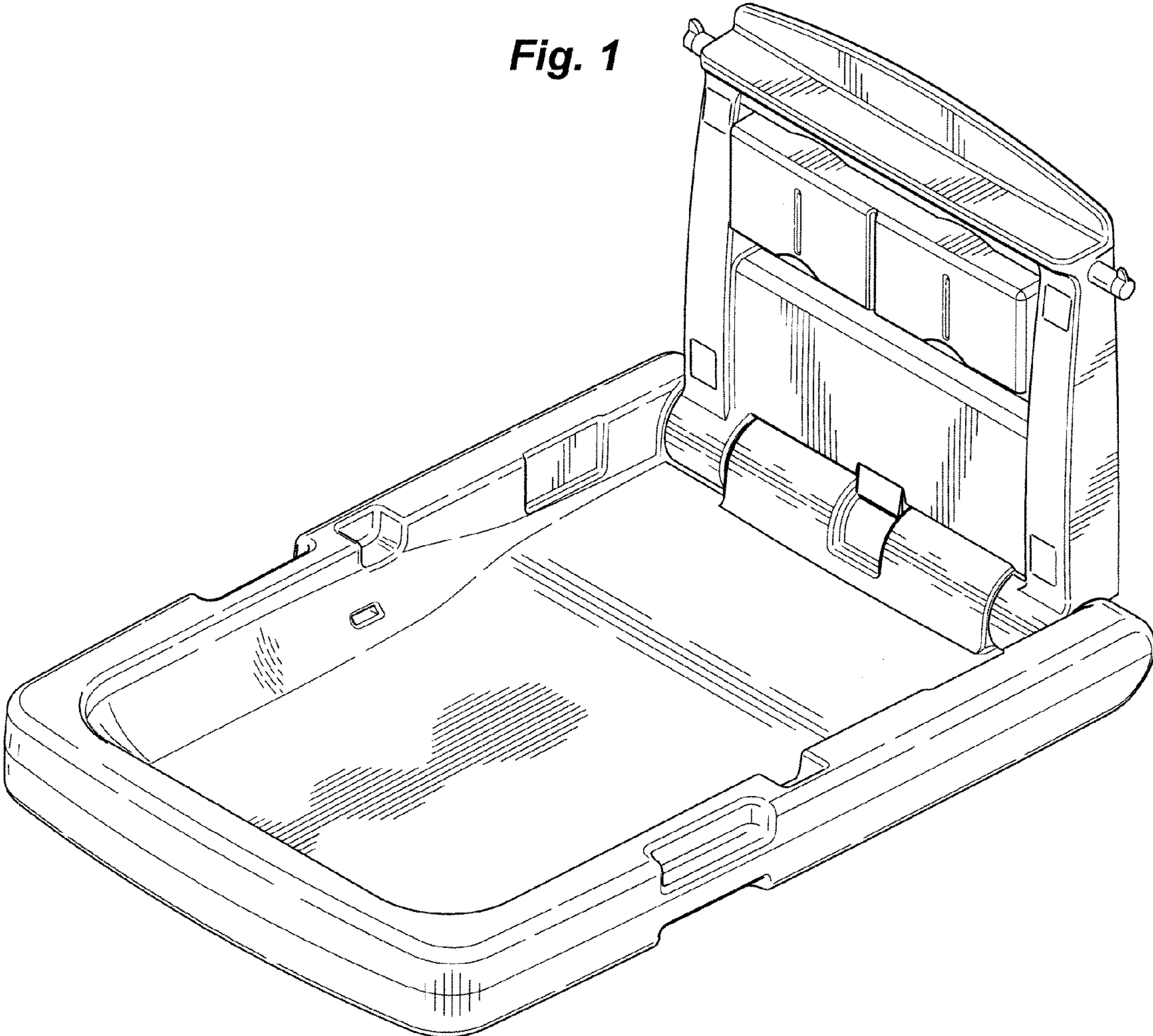


Fig. 2

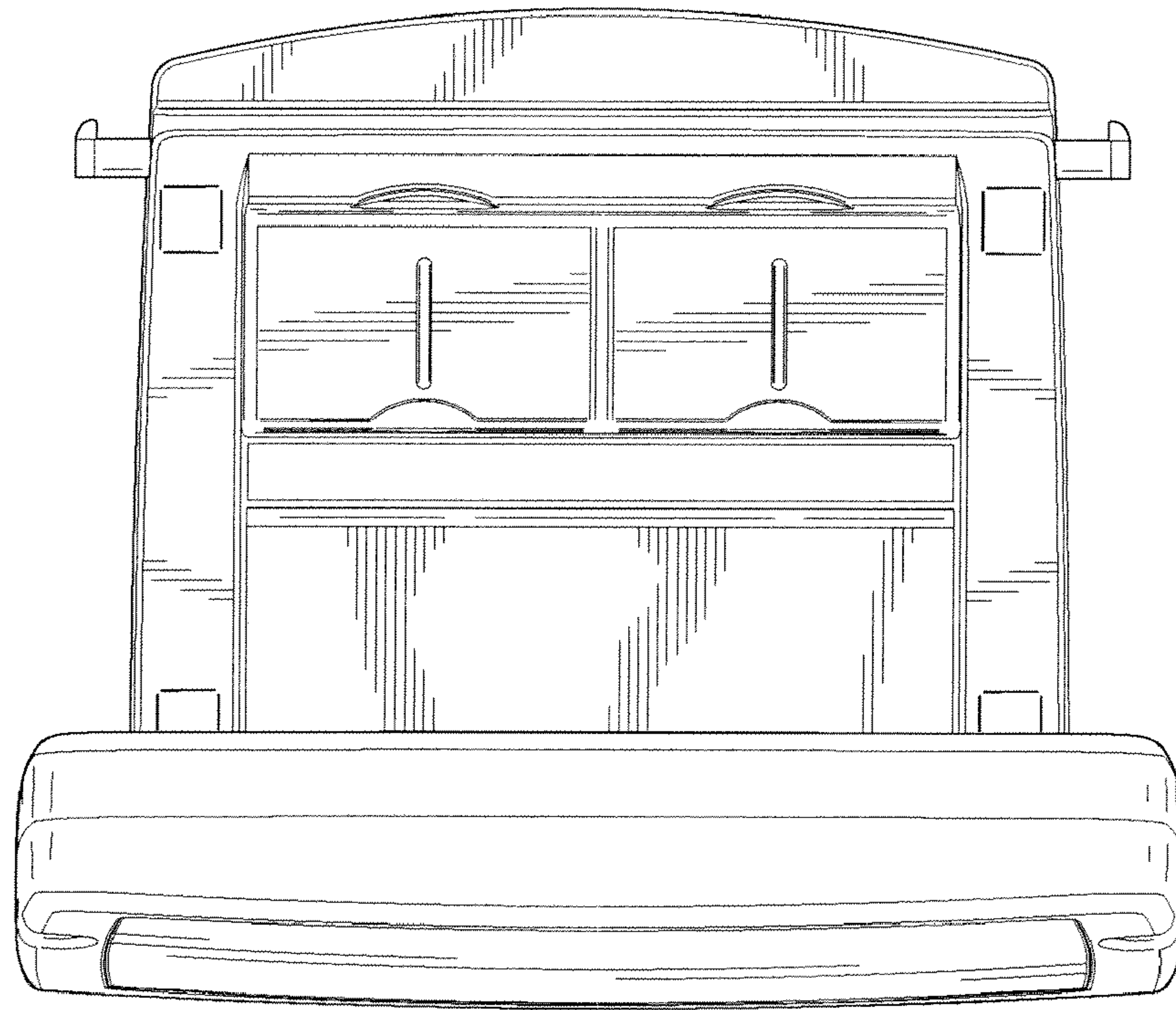


Fig. 3

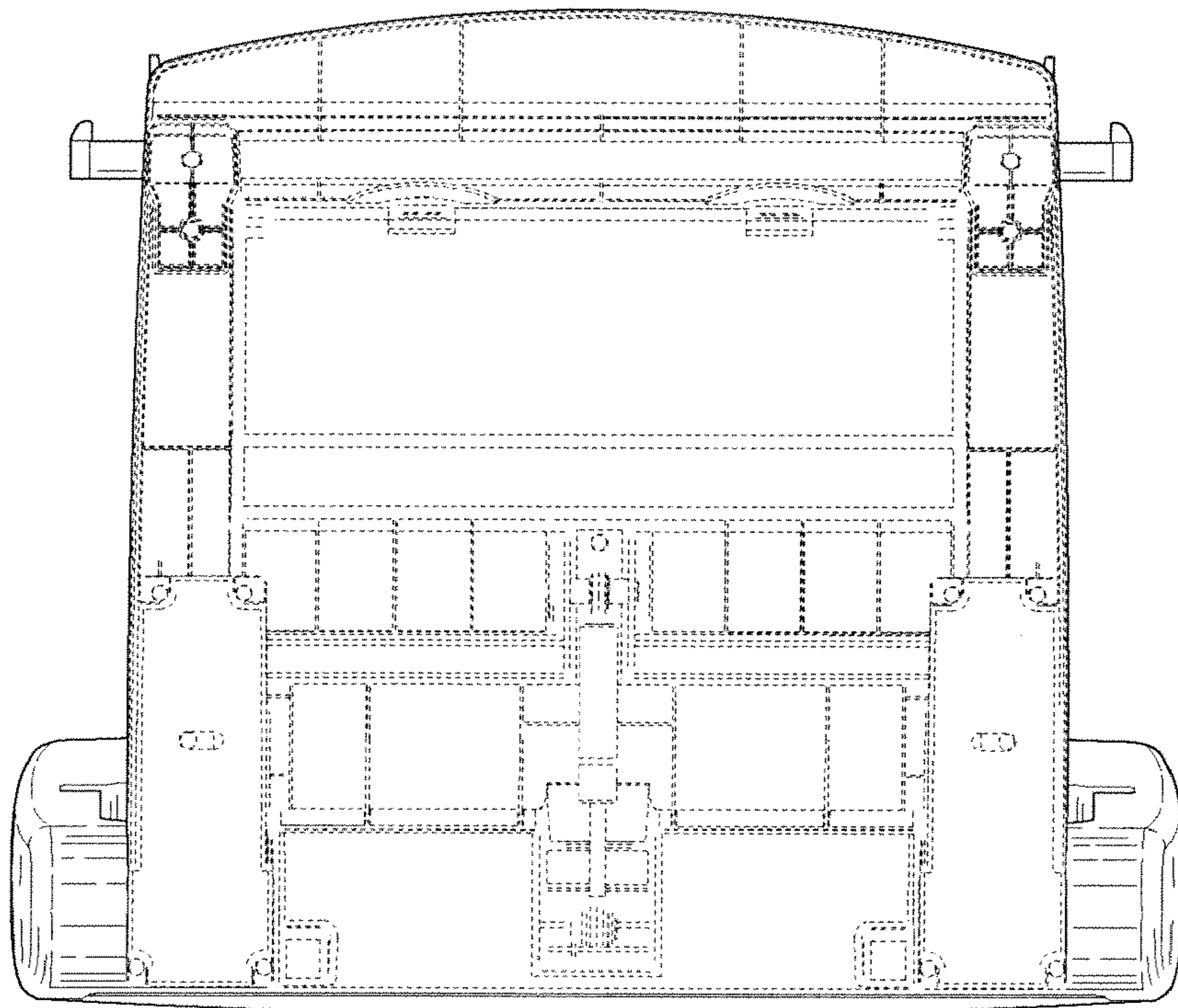


Fig. 4

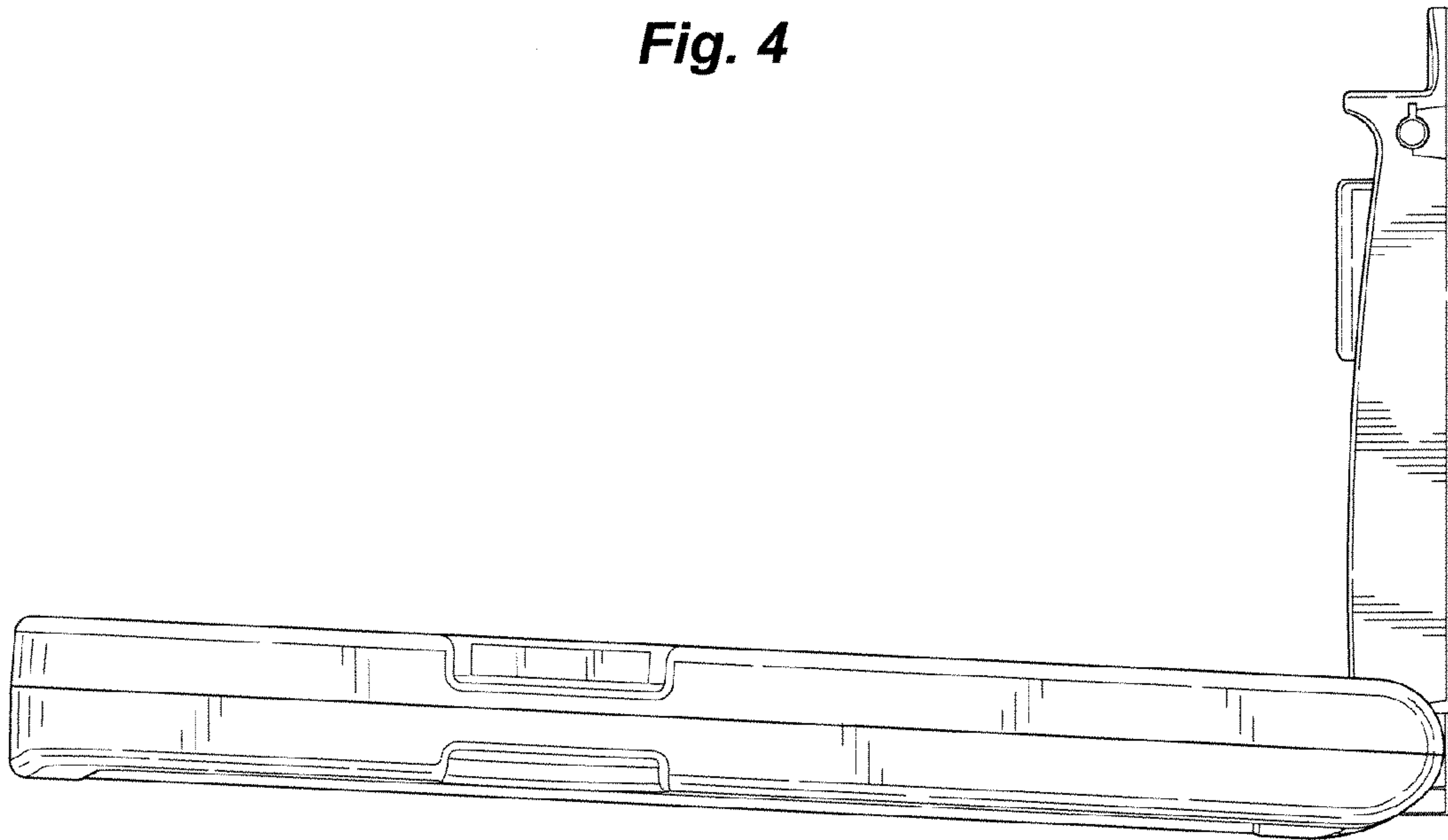


Fig. 5

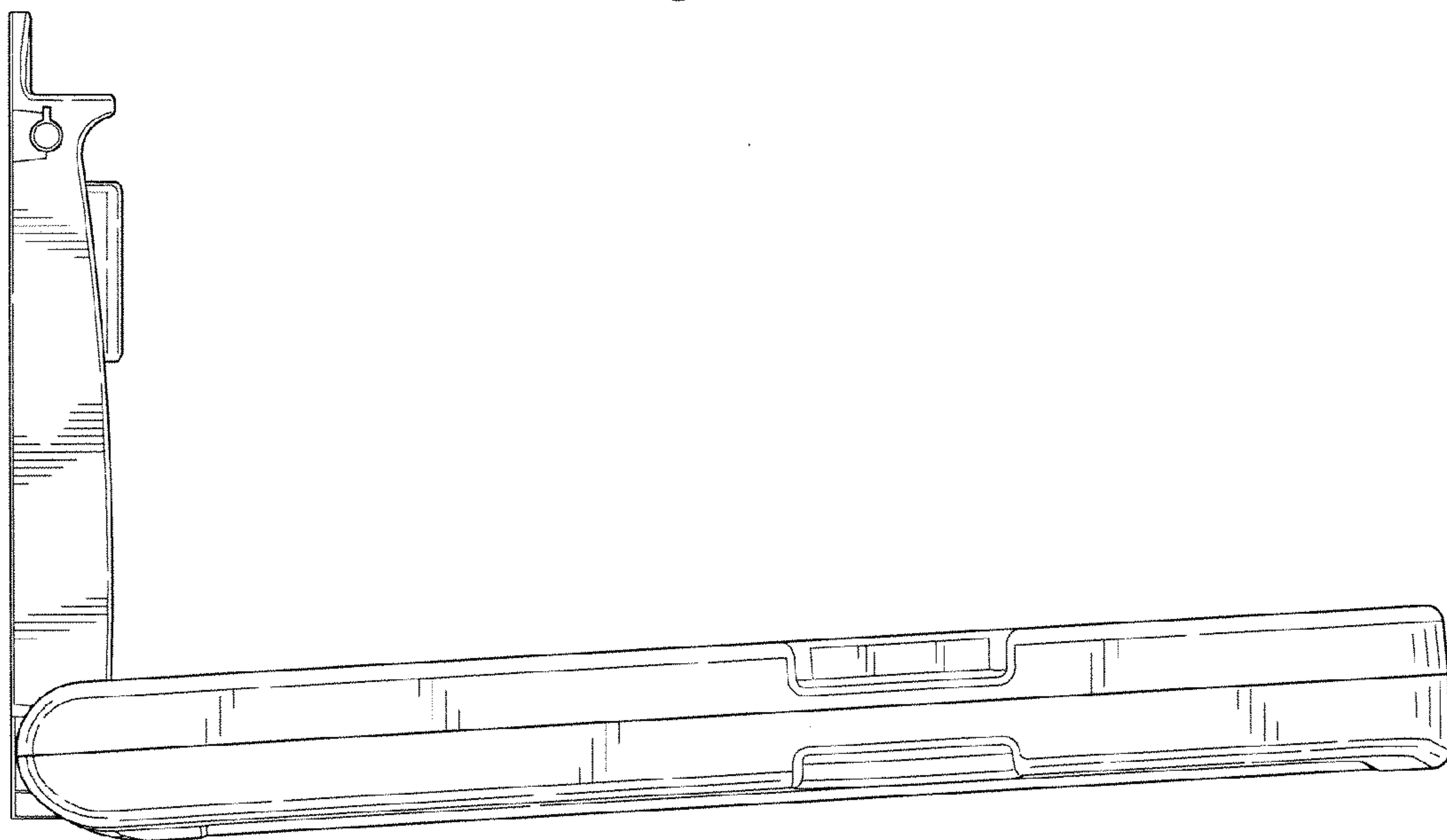


Fig. 6

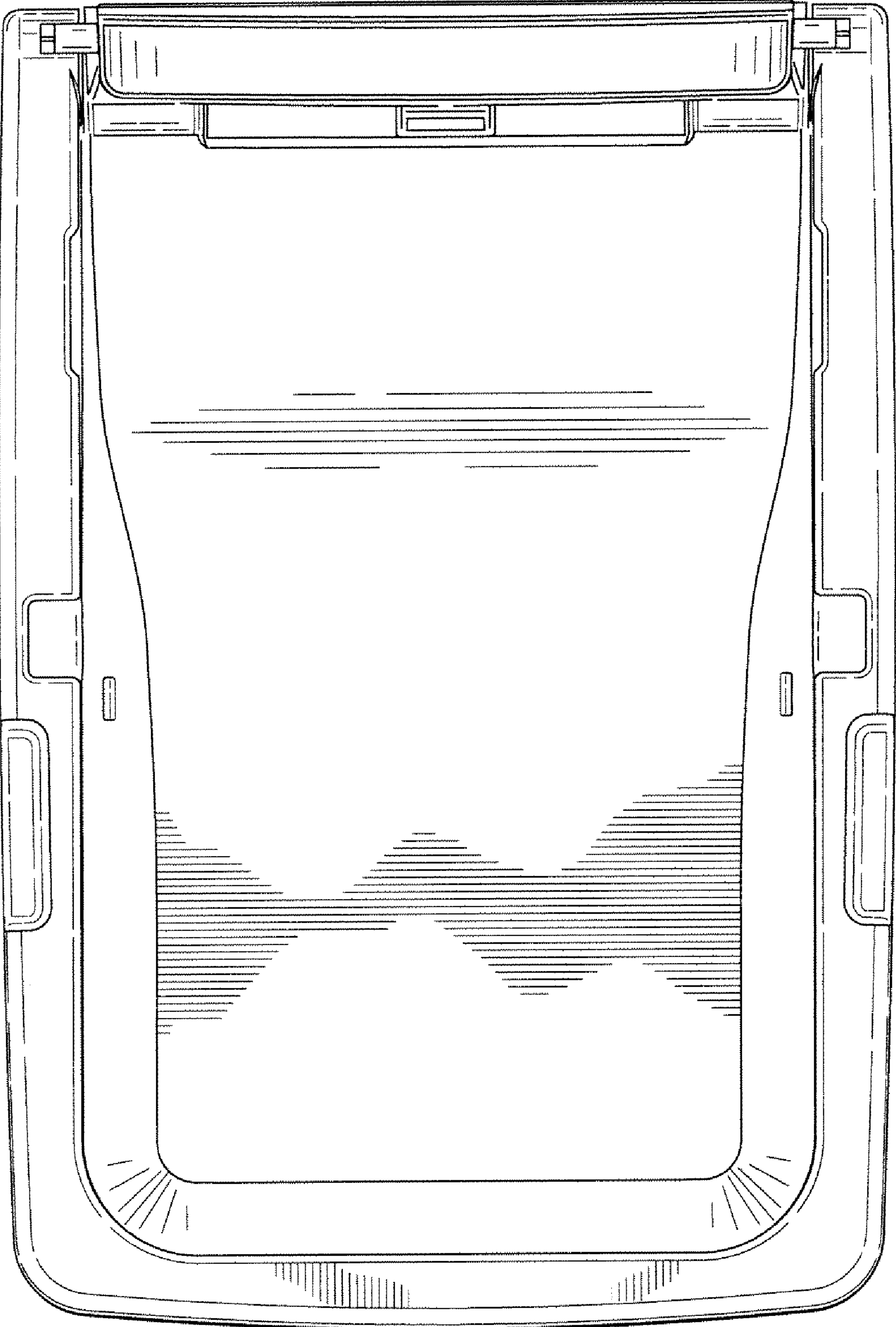


Fig. 7

