



US00D624328S

(12) **United States Design Patent**
Grandin et al.

(10) **Patent No.:** **US D624,328 S**

(45) **Date of Patent:** **** Sep. 28, 2010**

(54) **BENCH**

(75) Inventors: **Jay A. Grandin**, Vancouver (CA); **Hyun Yoo**, Grand Rapids, MI (US); **Mauricio Escobar**, Grand Rapids, MI (US); **James N. Ludwig**, East Grand Rapids, MI (US); **Bruce M. Smith**, Grand Rapids, MI (US); **Brett R. Kincaid**, Lowell, MI (US)

(73) Assignee: **Steelcase Inc.**, Grand Rapids, MI (US)

(**) Term: **14 Years**

(21) Appl. No.: **29/319,134**

(22) Filed: **Jun. 4, 2008**

(51) **LOC (9) Cl.** **06-01**

(52) **U.S. Cl.** **D6/381**

(58) **Field of Classification Search** D6/334,
D6/361, 369, 374, 491, 492, 495, 500-502,
D6/340, 349, 352, 354; 297/63, 94, 232,
297/233, 248, 283.1, 283.2, 535, 354.1, 445.1,
297/446.1, 448.1; 5/12.1, 12.2

See application file for complete search history.

(56) **References Cited**

U.S. PATENT DOCUMENTS

D240,481 S	*	7/1976	Fister	D6/378
D261,953 S	*	11/1981	Aronowitz et al.	D6/364
D261,954 S	*	11/1981	Aronowitz et al.	D6/364
D261,955 S	*	11/1981	Aronowitz et al.	D6/364
D262,163 S	*	12/1981	Aronowitz et al.	D6/364
D262,164 S	*	12/1981	Aronowitz et al.	D6/364

D264,027 S	*	4/1982	Aronowitz et al.	D6/364
D335,035 S	*	4/1993	Floyd	D6/361
D553,867 S	*	10/2007	Williams et al.	D6/335
D566,980 S	*	4/2008	Mourgue	D6/381
D567,526 S	*	4/2008	Williams et al.	D6/381
D575,963 S	*	9/2008	Gomez	D6/381
D609,034 S	*	2/2010	Lissoni	D6/500

* cited by examiner

Primary Examiner—Sandra Snapp

(74) *Attorney, Agent, or Firm*—Price, Heneveld, Cooper, DeWitt & Litton, LLP

(57) **CLAIM**

We claim the ornamental design for a bench, as shown and described.

DESCRIPTION

FIG. 1 is a perspective view showing a front, top and side of a bench;

FIG. 2 is a perspective view showing a back, top and side of the bench;

FIG. 3 is a front elevational view of the bench;

FIG. 4 is an elevational view of a side of the bench, the opposite side being a mirror image thereof;

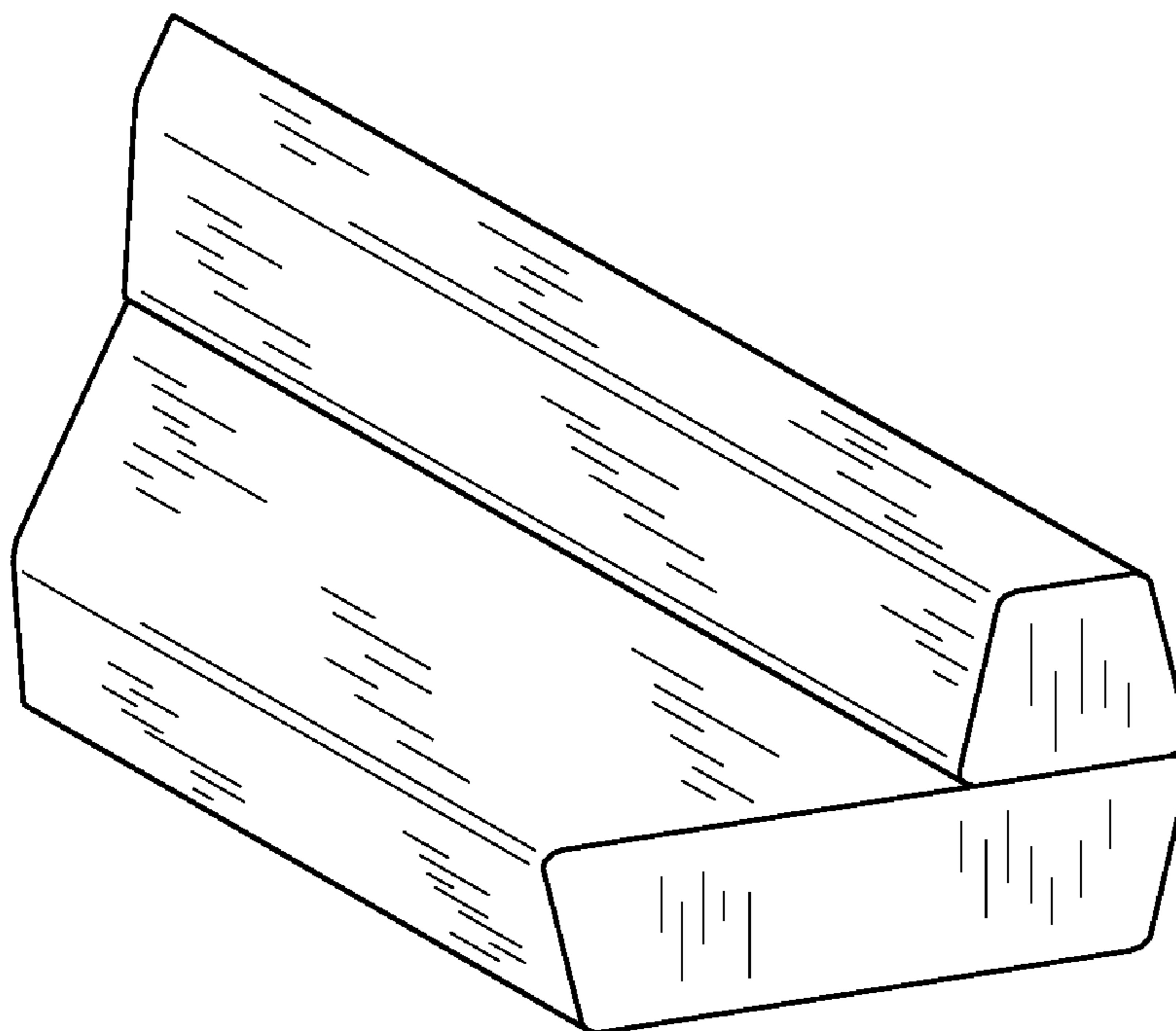
FIG. 5 is rear elevational view of the bench;

FIG. 6 is a top plan view of bench; and,

FIG. 7 is a bottom plan view of the bench.

The phantom lines in the figures are shown for illustrative purposes only and form no part of the invention as claimed.

1 Claim, 3 Drawing Sheets



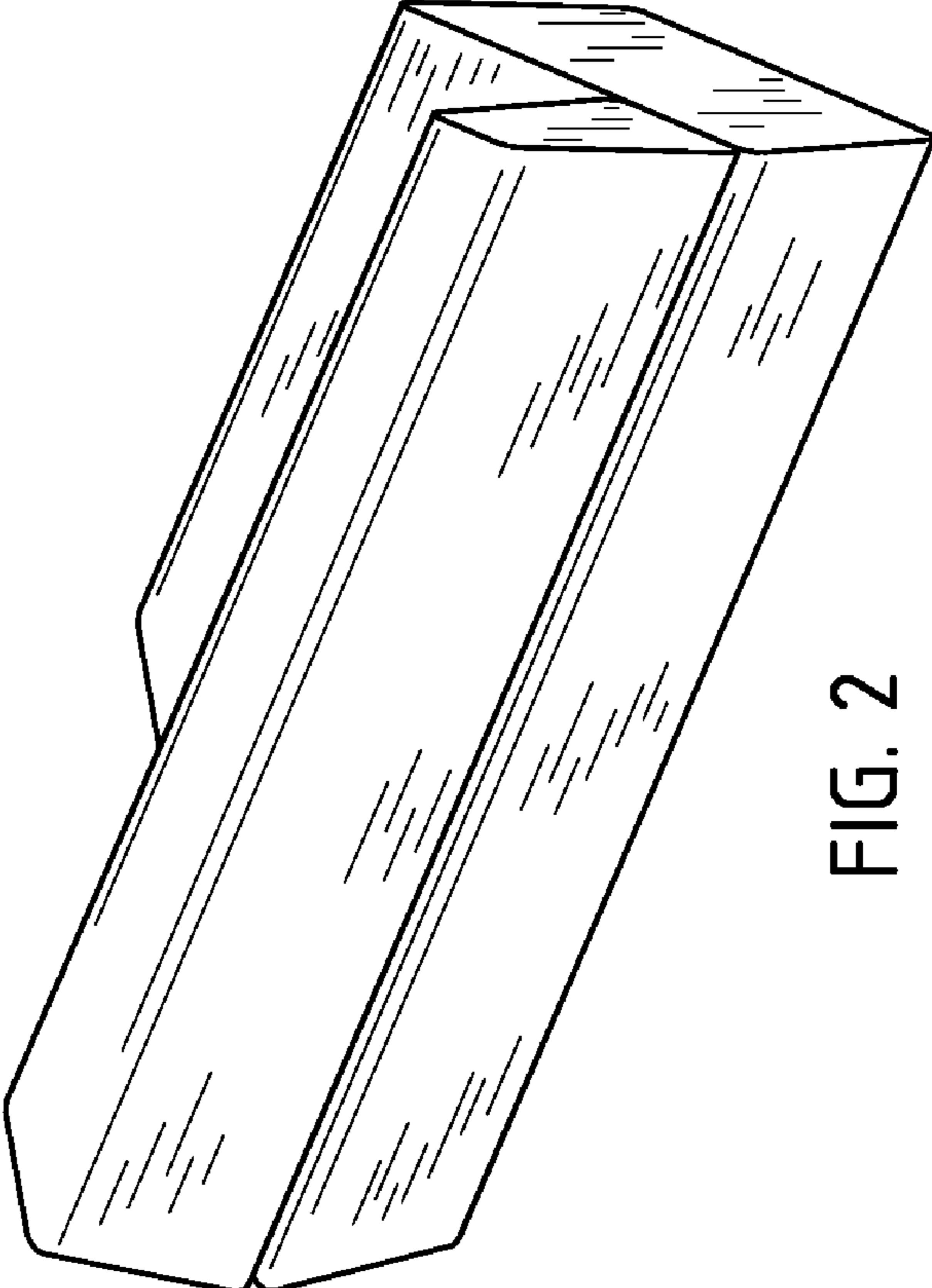


FIG. 2

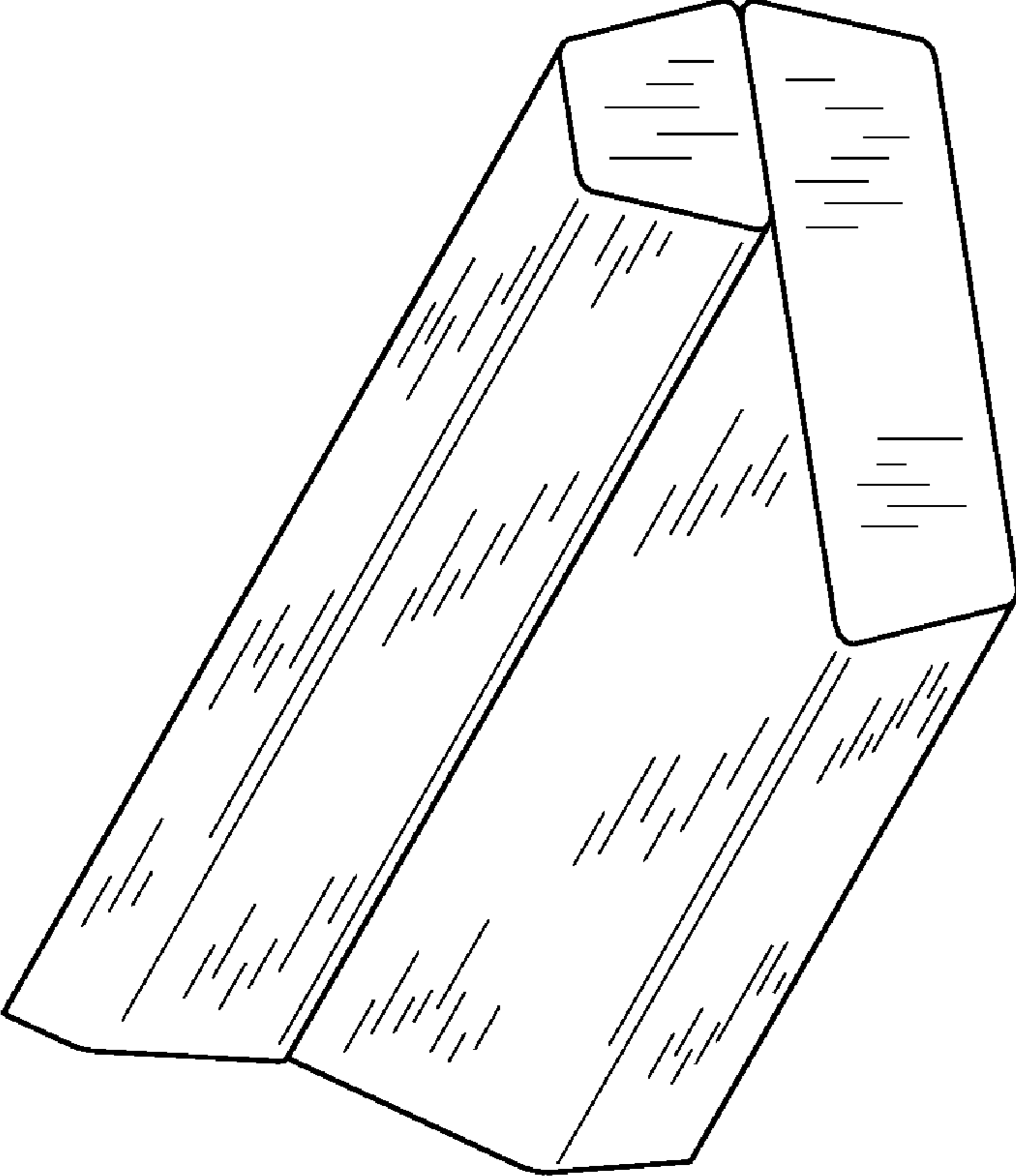


FIG. 1

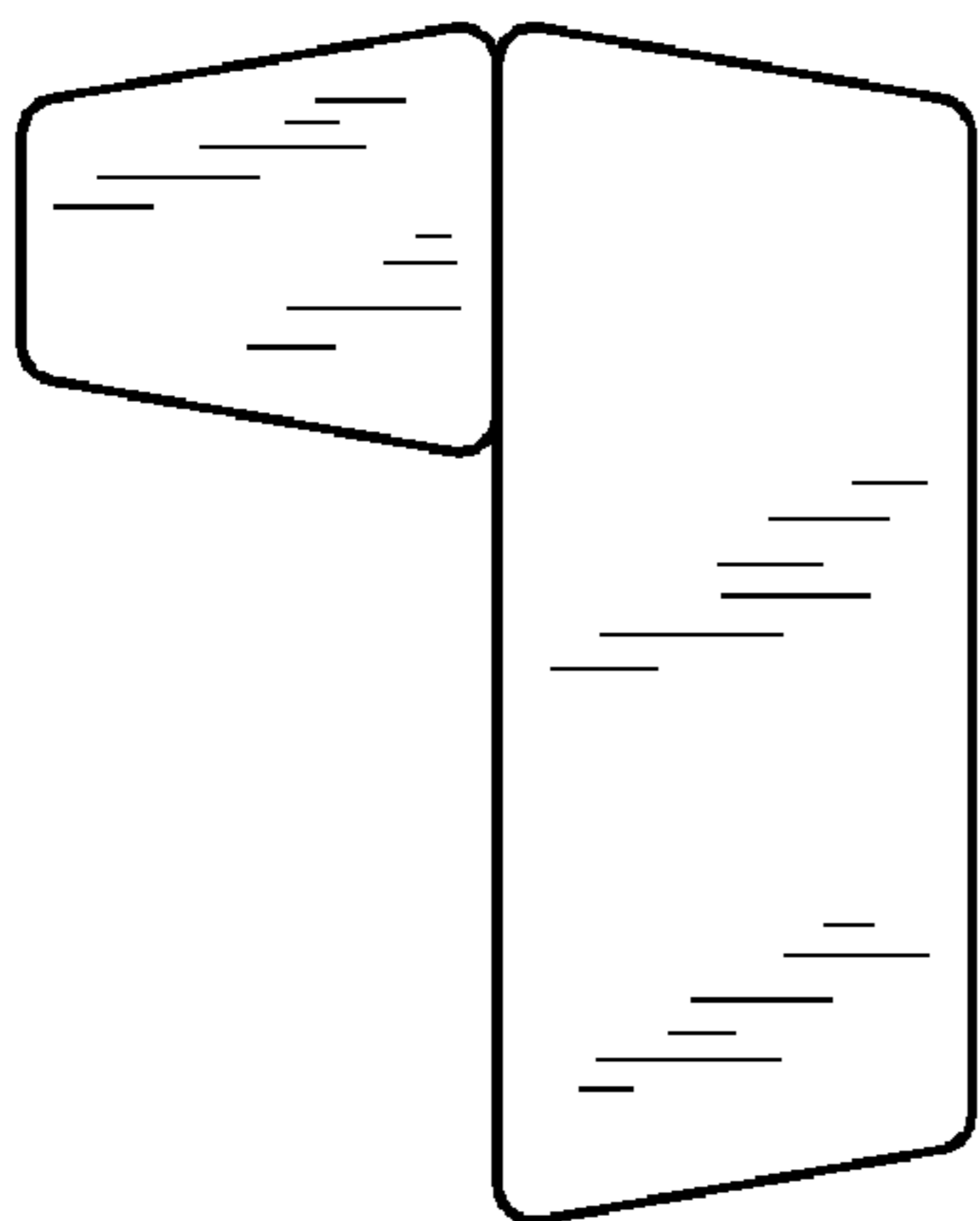


FIG. 4

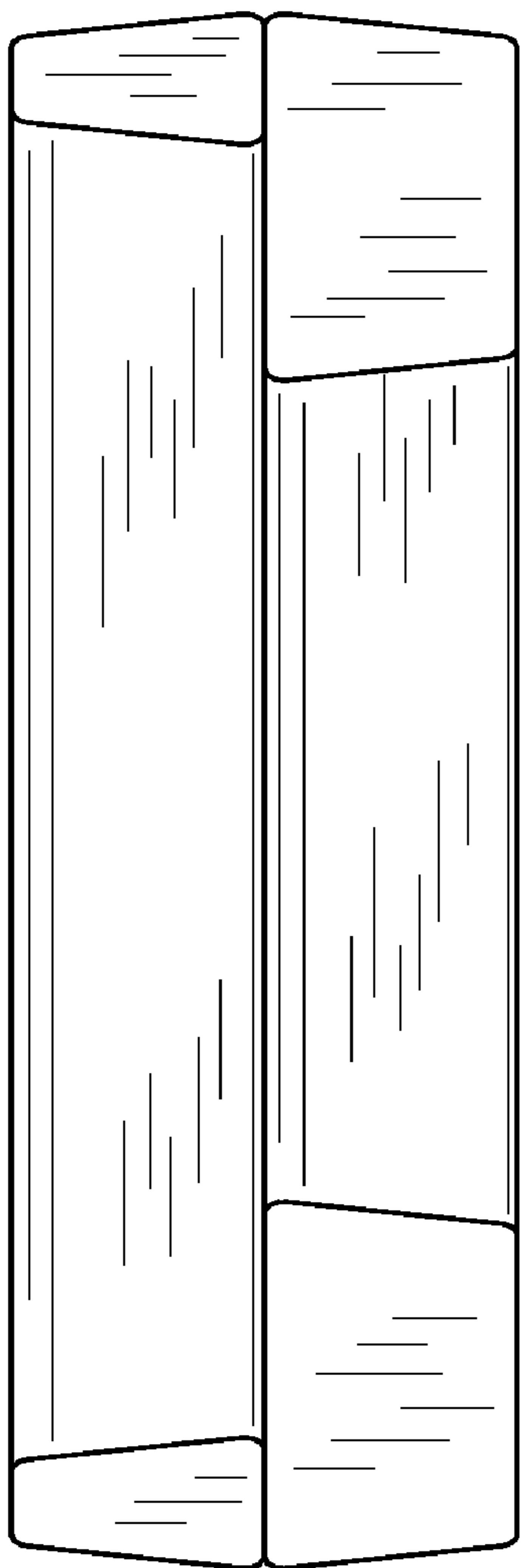


FIG. 3



FIG. 5

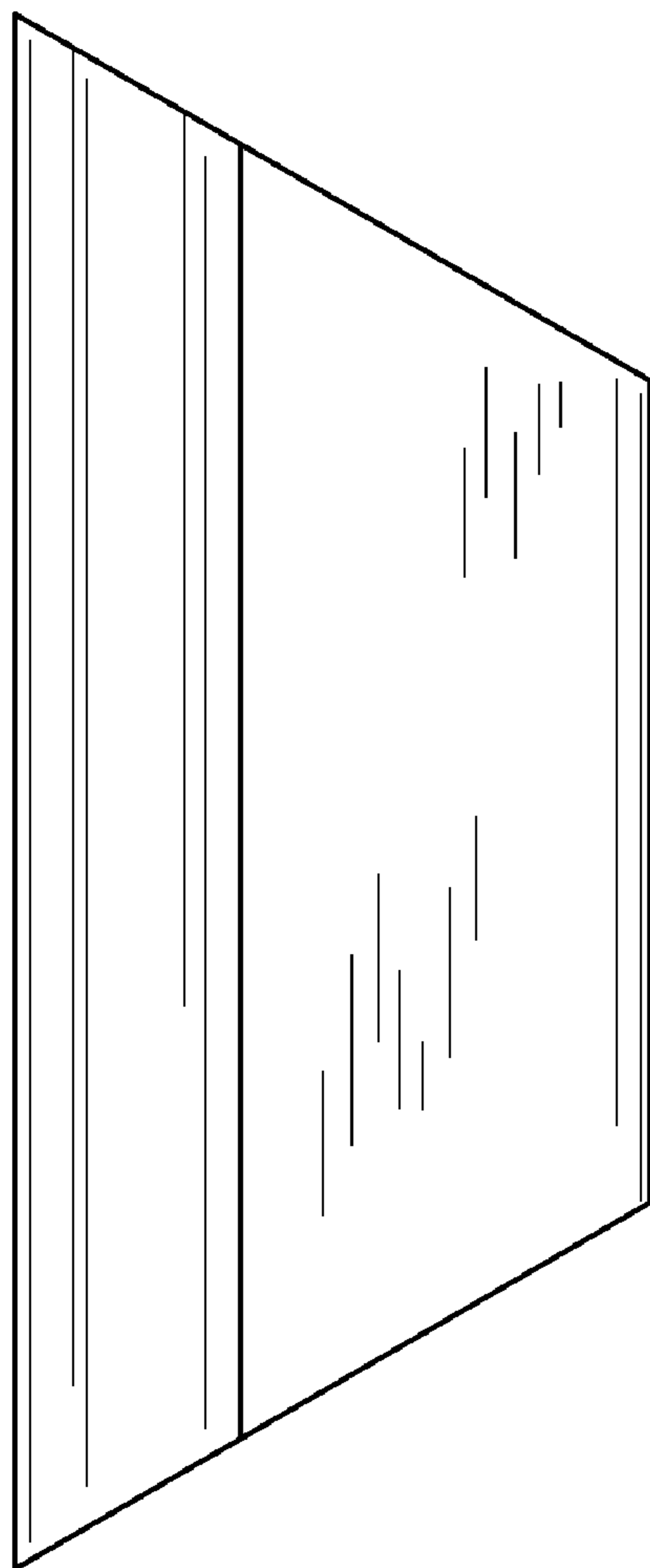


FIG. 6

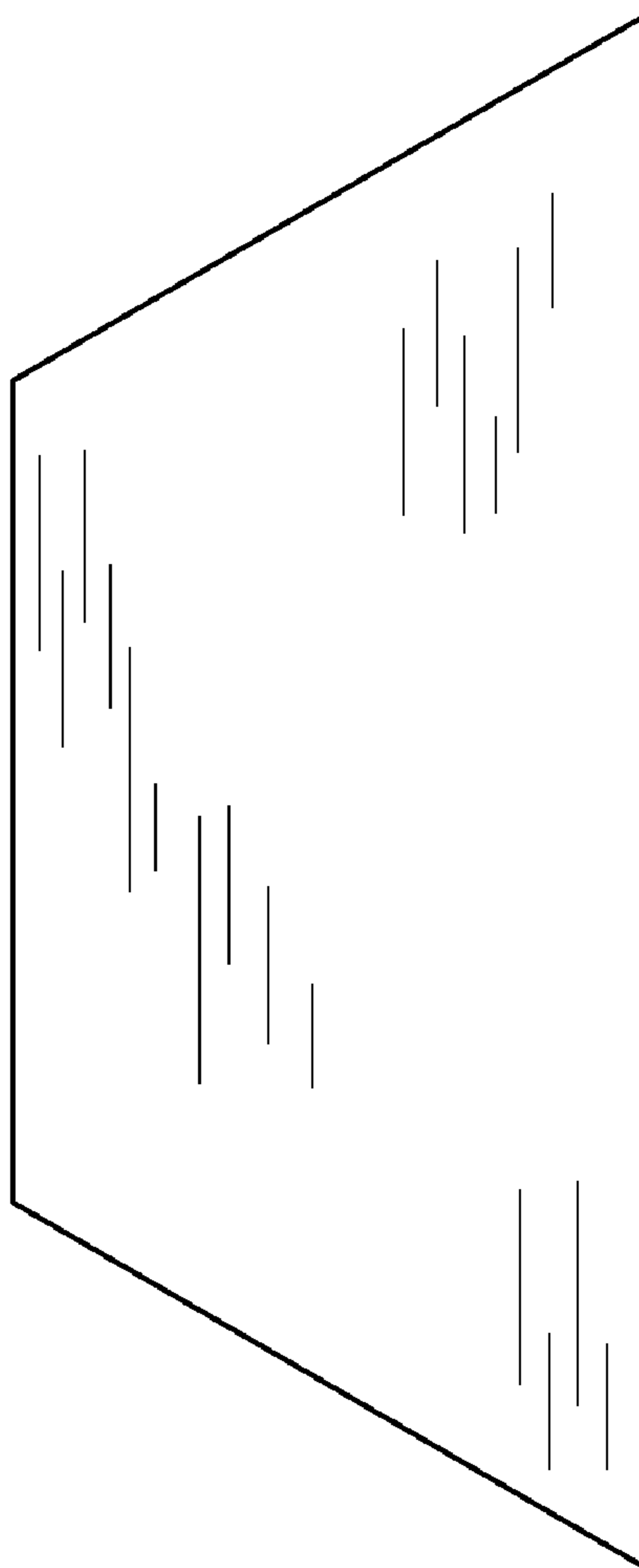


FIG. 7