



US00D624323S

(12) **United States Design Patent**
Simonsen

(10) **Patent No.:** **US D624,323 S**

(45) **Date of Patent:** **** Sep. 28, 2010**

(54) **COMPUTER ATTACHMENT FOR
PHOTOGRAPHS AND INFORMATION
CARDS**

(76) Inventor: **Mary Ellen Simonsen**, 139011/2
Burbank Blvd., Sherman Oaks, CA (US)
91401

(**) Term: **14 Years**

(21) Appl. No.: **29/349,379**

(22) Filed: **Mar. 30, 2010**

(51) **LOC (9) Cl.** **06-07**

(52) **U.S. Cl.** **D6/301; D14/448; D20/10**

(58) **Field of Classification Search** D6/310,
D6/396, 410, 409, 413, 419, 420, 449, 454-456,
D6/629; 211/13.1, 59.2, 69.6, 85.11, 169;
D19/27, 32, 33; 248/447, 453, 456; 150/148;
40/733

See application file for complete search history.

(56) **References Cited**

U.S. PATENT DOCUMENTS

3,146,816	A *	9/1964	Osher	150/148
4,271,618	A *	6/1981	Lyman	40/733
4,326,349	A *	4/1982	Daughtry	40/733
D364,042	S *	11/1995	Chavez et al.	D6/314
6,061,943	A *	5/2000	Pepys	40/771
D467,610	S *	12/2002	Barton	D19/33
6,547,087	B2 *	4/2003	Accatino	211/169

D483,597	S *	12/2003	Hassett	D6/629
D498,087	S *	11/2004	Stein	D6/454
D548,485	S *	8/2007	Barthel	D6/454
D549,003	S *	8/2007	Biser	D6/454
D584,905	S *	1/2009	Kiska	D6/454
2001/0008223	A1 *	7/2001	Accatino	211/169
2005/0011846	A1 *	1/2005	Stein	211/169

* cited by examiner

Primary Examiner—Philip S Hyder

Assistant Examiner—Sydney R Buffalow

(74) *Attorney, Agent, or Firm*—Rodgers & Rodgers

(57) **CLAIM**

The ornamental design for a computer attachment for photographs and information cards, as shown and described.

DESCRIPTION

FIG. 1 is a perspective view of a computer attachment for photographs and information cards showing my new design;

FIG. 2 is an enlarged perspective view thereof;

FIG. 3 is a front elevational view thereof;

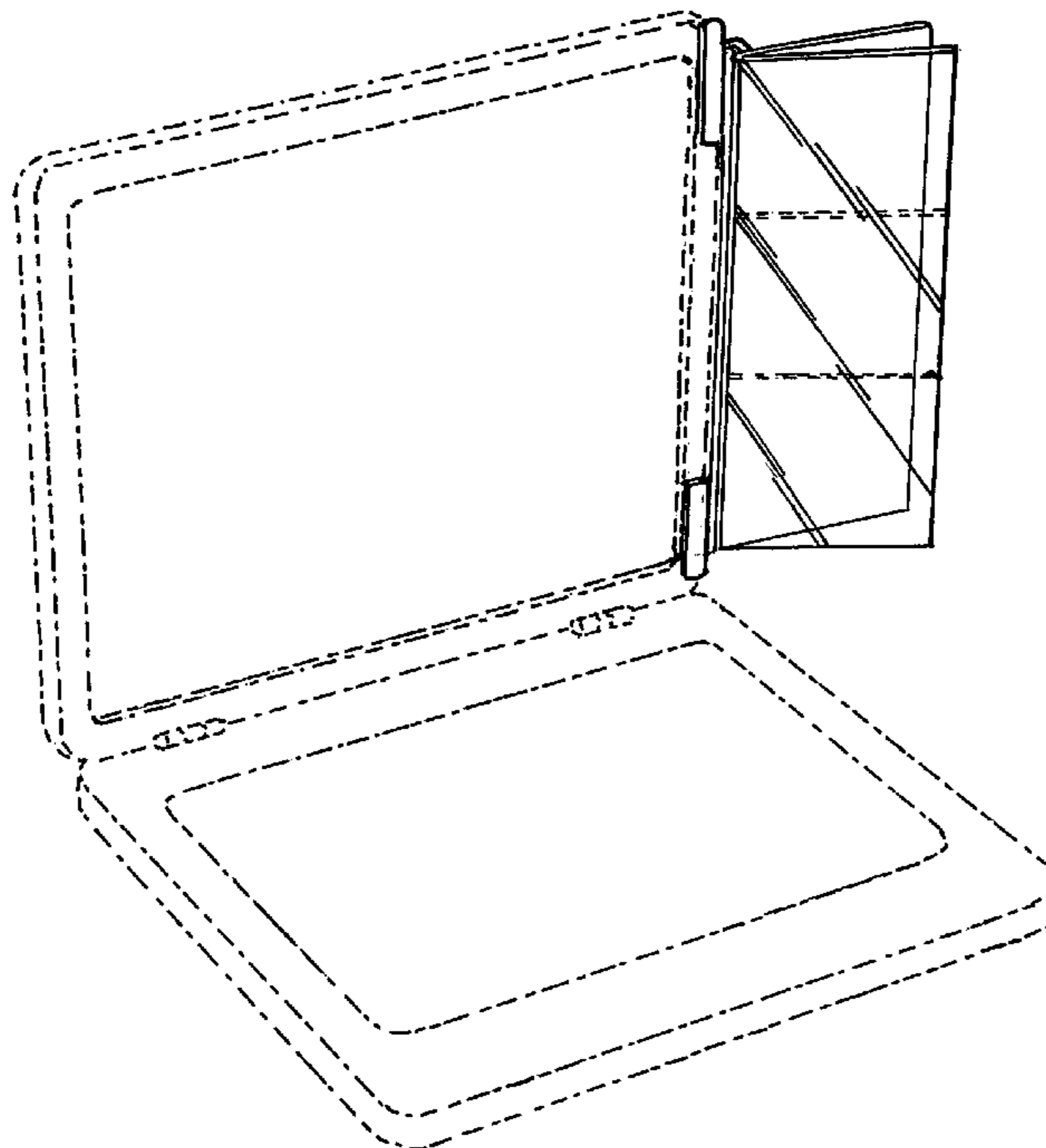
FIG. 4 is a rear elevational view thereof;

FIG. 5 is a top plan view thereof; and,

FIG. 6 is a bottom plan view thereof.

The broken lines are included for the purpose of showing environment and form no part of the claimed design.

1 Claim, 3 Drawing Sheets



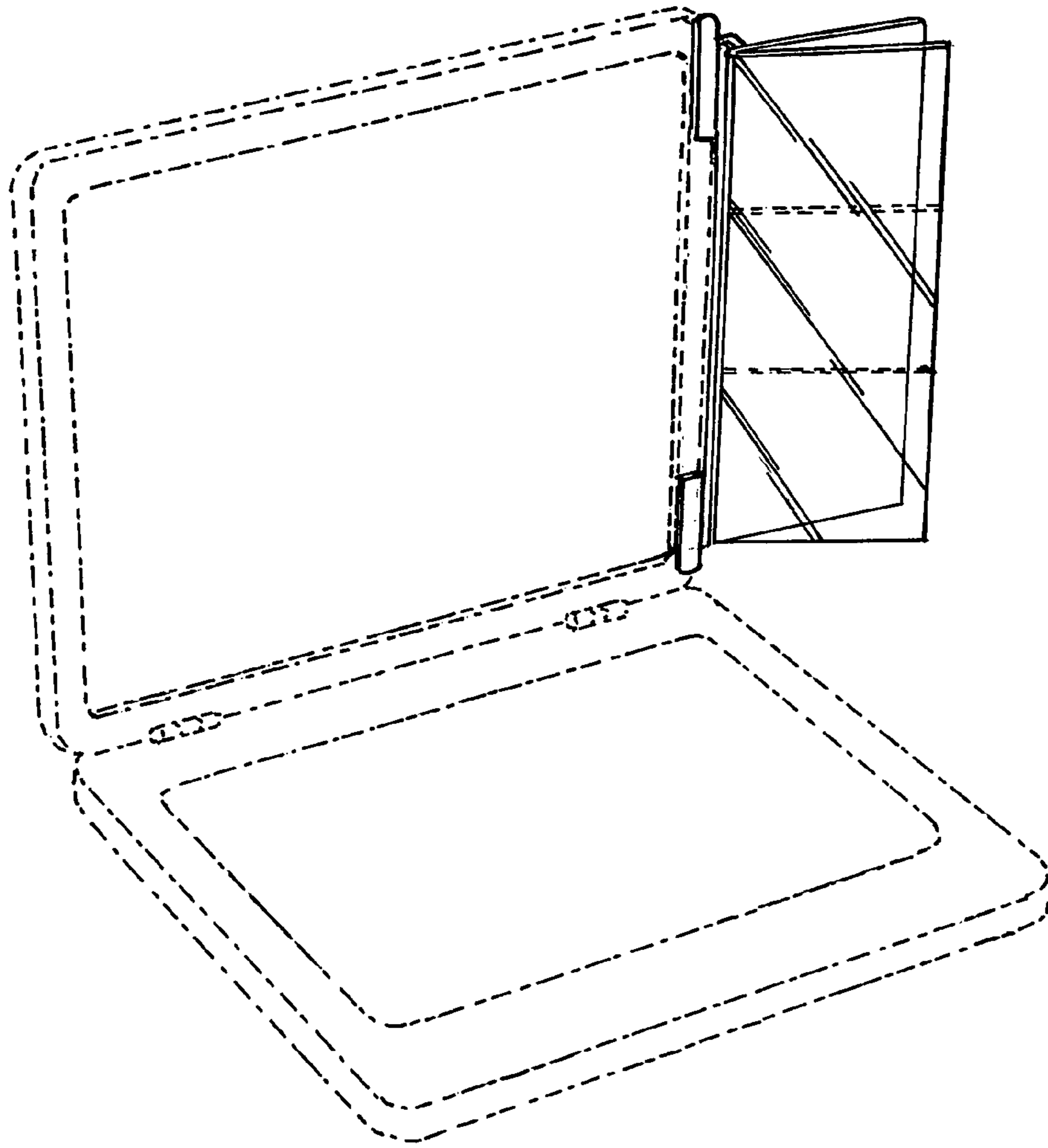


FIG. 1

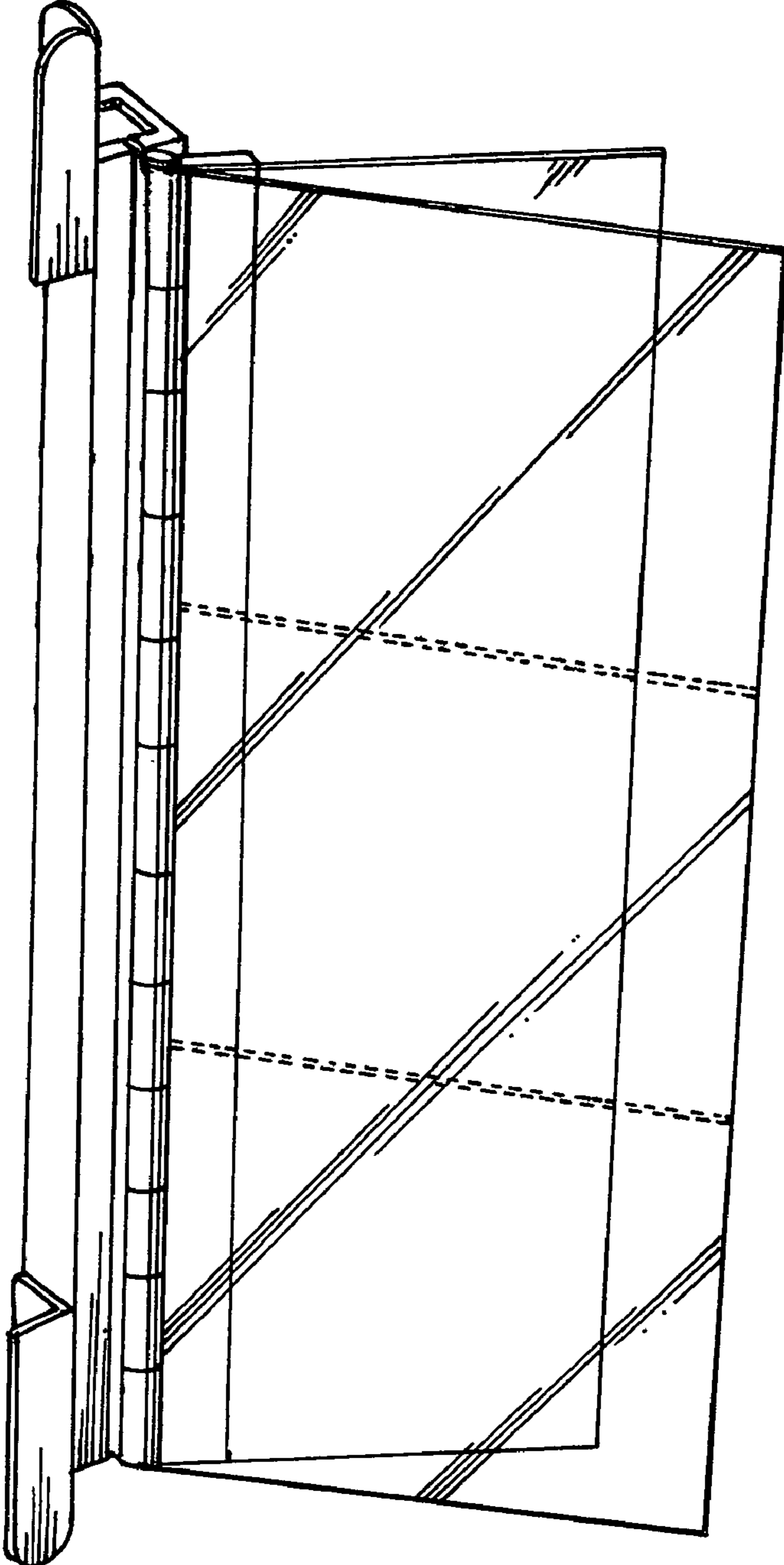


FIG. 2

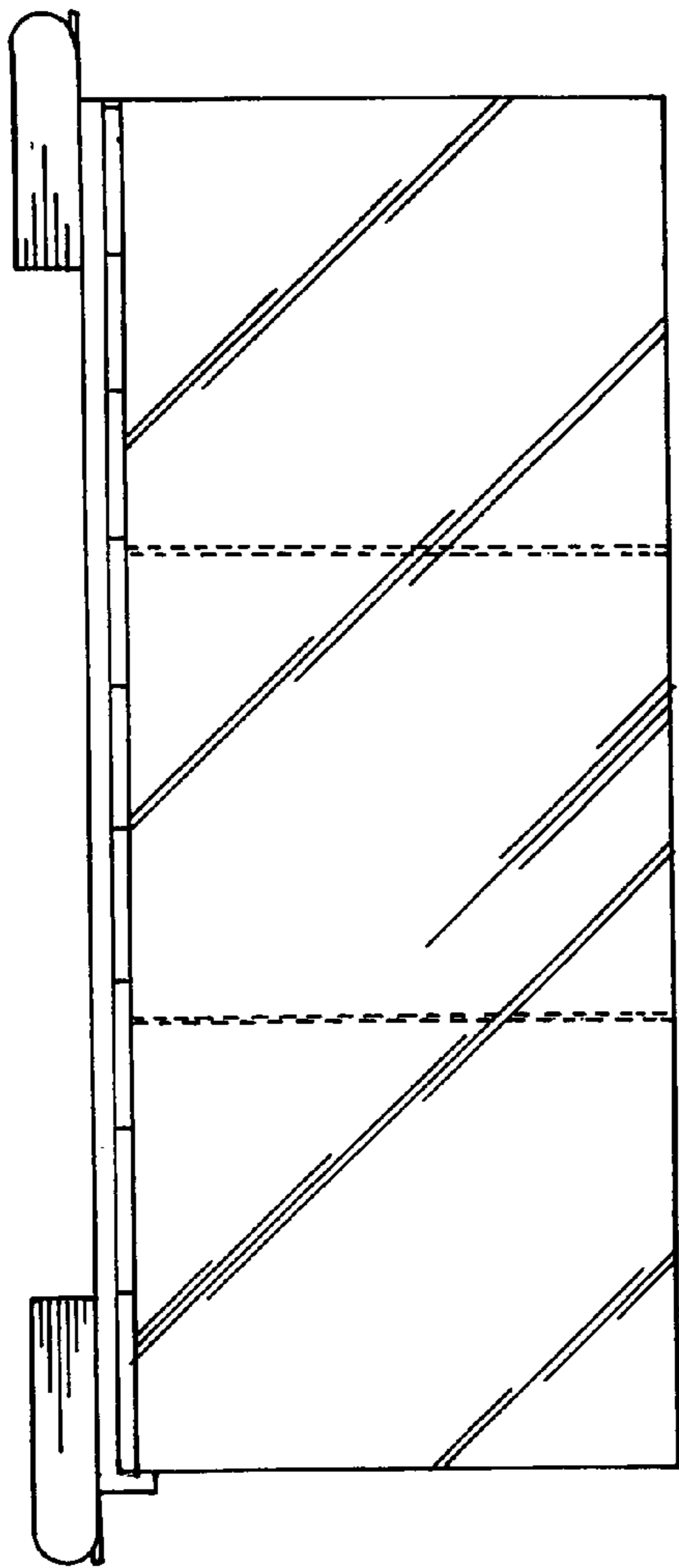


FIG. 3

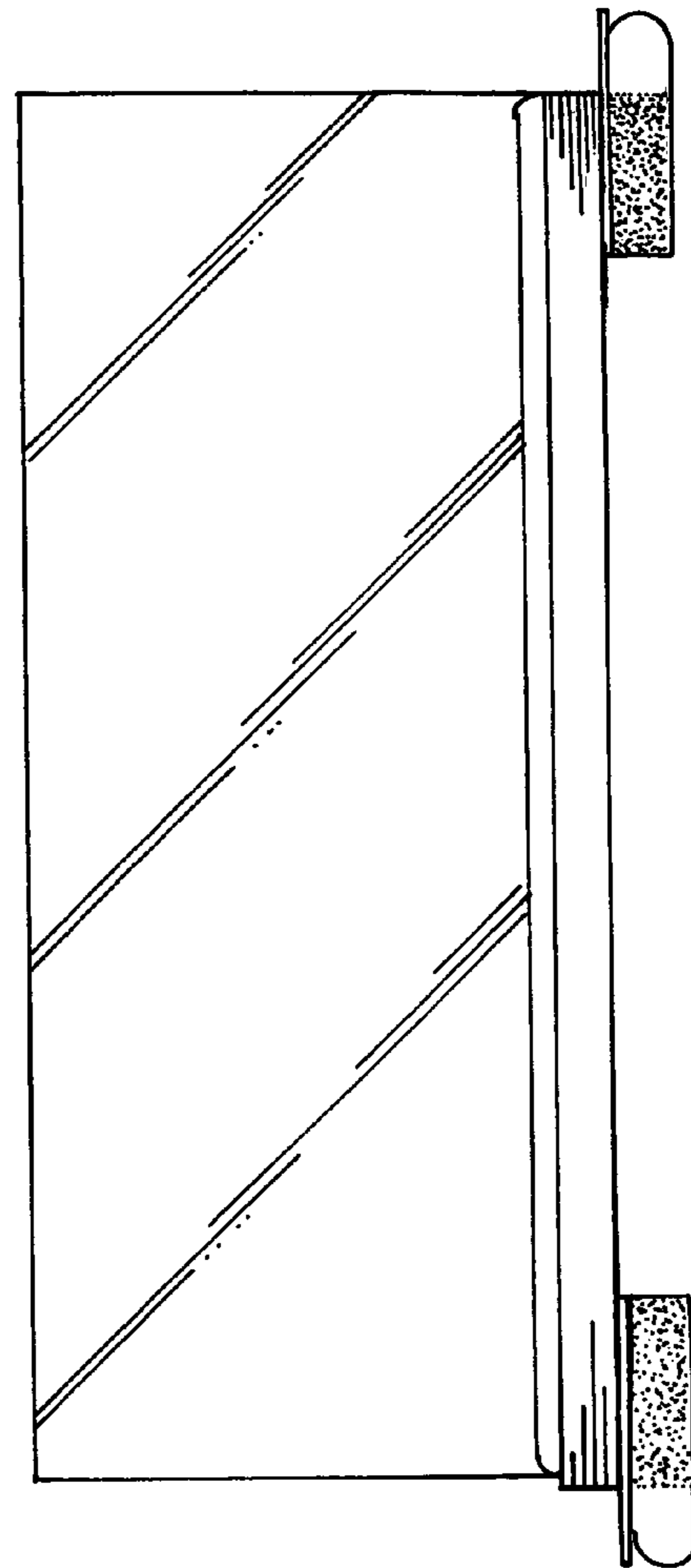


FIG. 4



FIG. 5



FIG. 6