



US00D624319S

(12) **United States Design Patent**
Riedel et al.

(10) **Patent No.:** **US D624,319 S**

(45) **Date of Patent:** **** Sep. 28, 2010**

(54) **TOOLBOX**

(75) Inventors: **Robert Byriel Riedel**, Horsens (DK);
Soren X. Frahm, Horsens (DK)

(73) Assignee: **Raaco International A/S** (DK)

(**) Term: **14 Years**

(21) Appl. No.: **29/350,175**

(22) Filed: **Nov. 12, 2009**

(30) **Foreign Application Priority Data**

May 12, 2009 (EM) 001508714

(51) **LOC (9) Cl.** **03-01**

(52) **U.S. Cl.** **D3/313**

(58) **Field of Classification Search** D3/304-314,
D3/282, 201, 228, 315, 319; D19/75, 78,
D19/86, 90, 91, 99, 100; D6/566, 567, 569,
D6/512, 553; 211/10, 11, 13.1, 45, 50, 52,
211/55, 87.01, 90.03, 126.9, 126.13, 88.01;
220/456, 9.4, 6, 7, 600, 1.5, 4.26, 4.28, 676;
206/503, 505, 509; D8/373

See application file for complete search history.

(56) **References Cited**

U.S. PATENT DOCUMENTS

D176,844 S * 2/1956 Evans D3/309

2,740,517 A * 4/1956 Evans 206/373
D359,181 S * 6/1995 Leveen et al. D6/475
D403,160 S * 12/1998 Hill D3/315
D474,891 S * 5/2003 Huang D3/309
D523,635 S * 6/2006 Chen D3/282

* cited by examiner

Primary Examiner—T. Chase Nelson

Assistant Examiner—Ania K Dworzecka

(74) *Attorney, Agent, or Firm*—St. Onge Steward Johnston &
Reens LLC

(57) **CLAIM**

The ornamental design for a toolbox, as shown and described.

DESCRIPTION

FIG. 1 is front, top and left side perspective view of a toolbox in accordance with the new design;

FIG. 2 is a front, bottom and left side perspective view thereof;

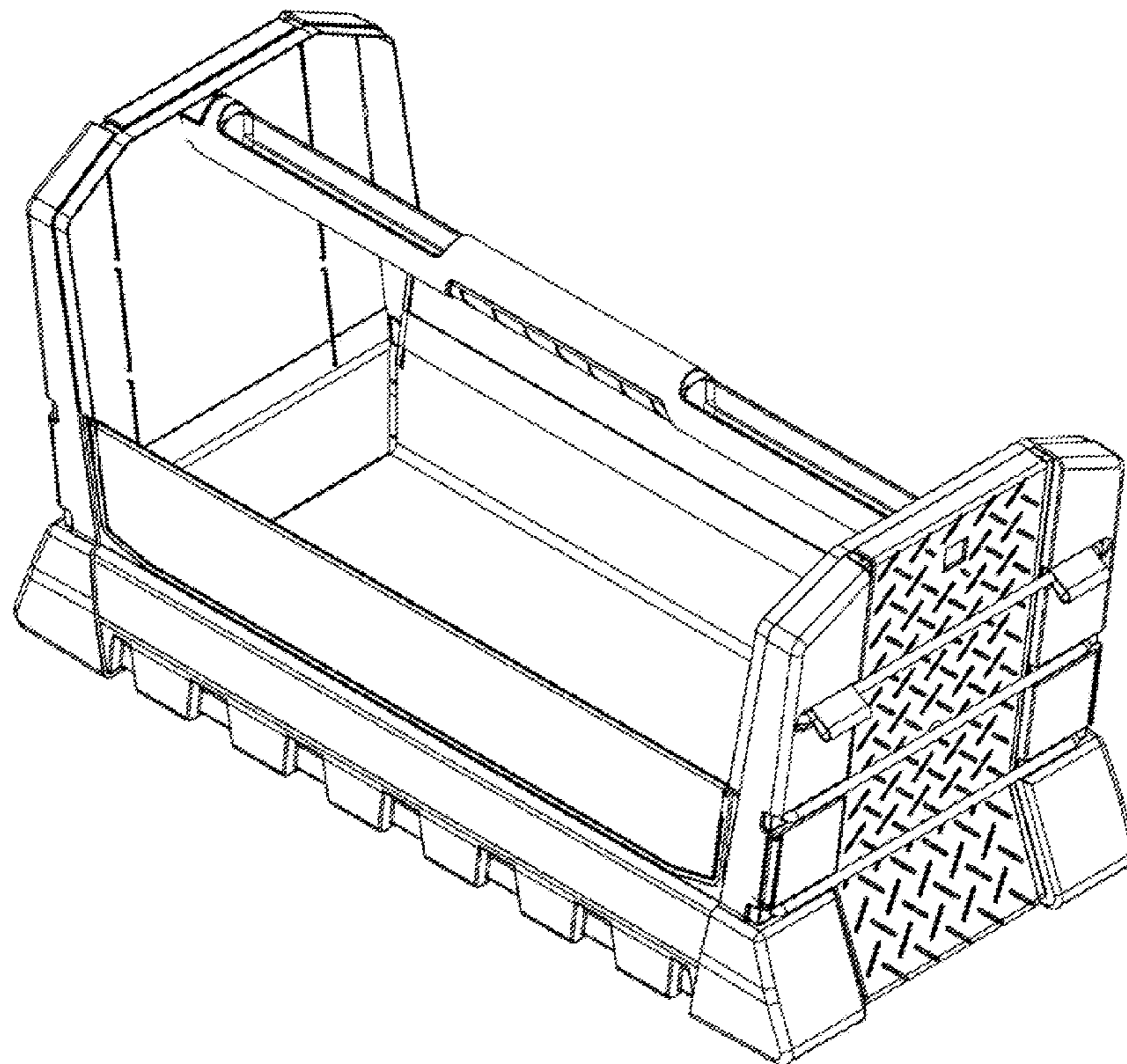
FIG. 3 is a left side elevation view; the right side elevation view being a mirror image thereof;

FIG. 4 is a top plan view thereof;

FIG. 5 is a front elevation view; the rear elevation view being a mirror image thereof; and,

FIG. 6 is a bottom plan view thereof.

1 Claim, 6 Drawing Sheets



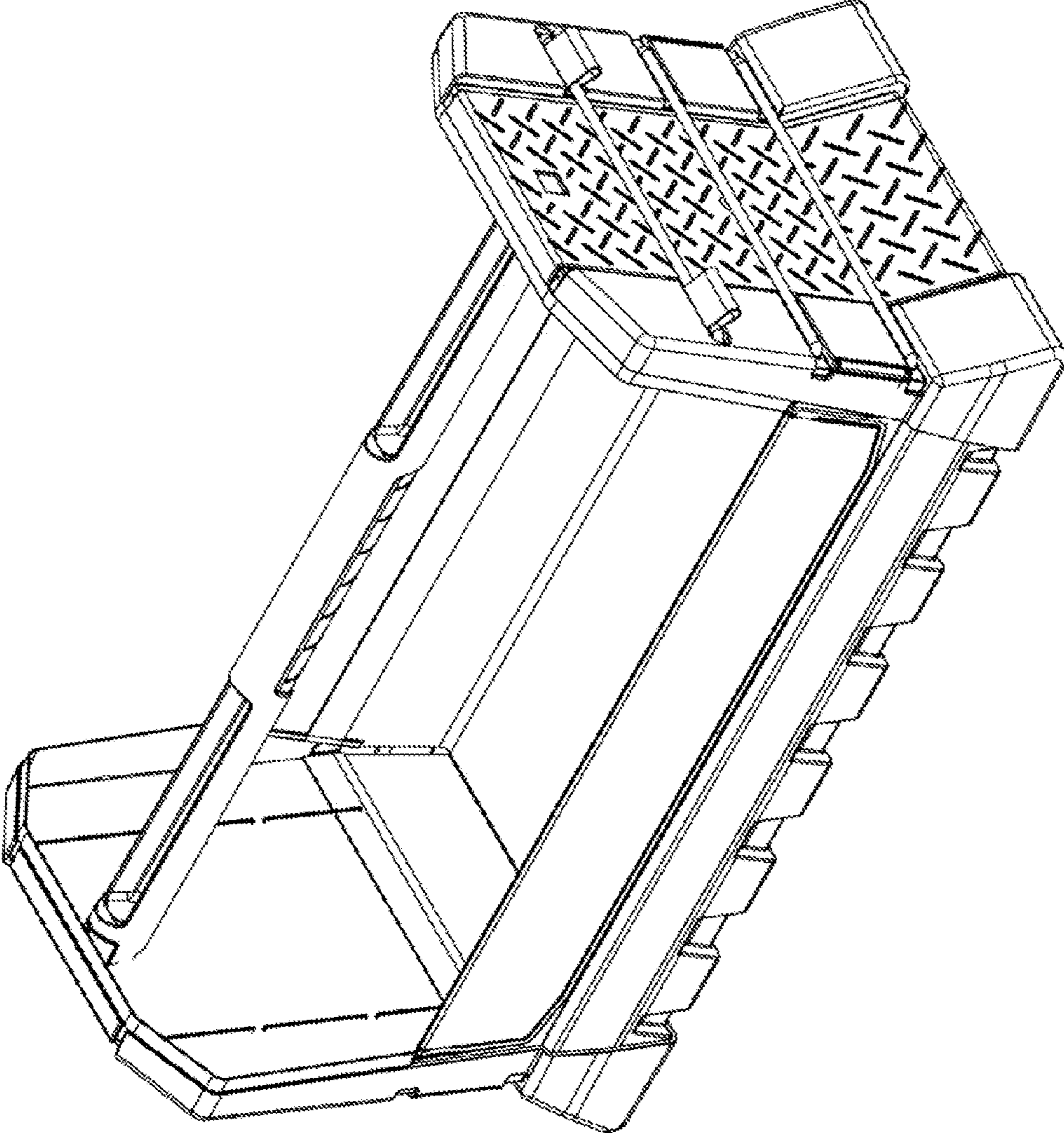


FIG. 1

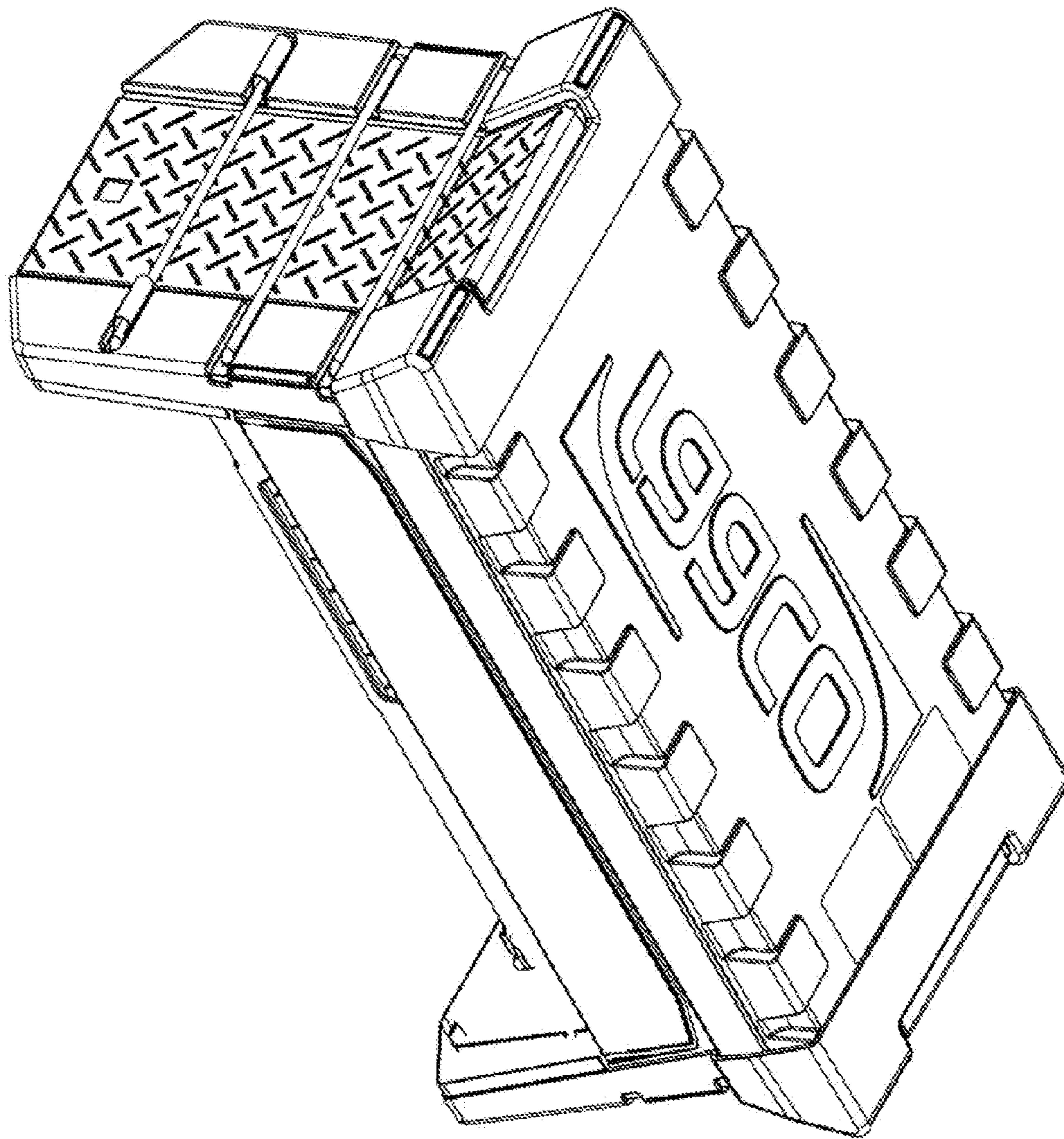


FIG. 2

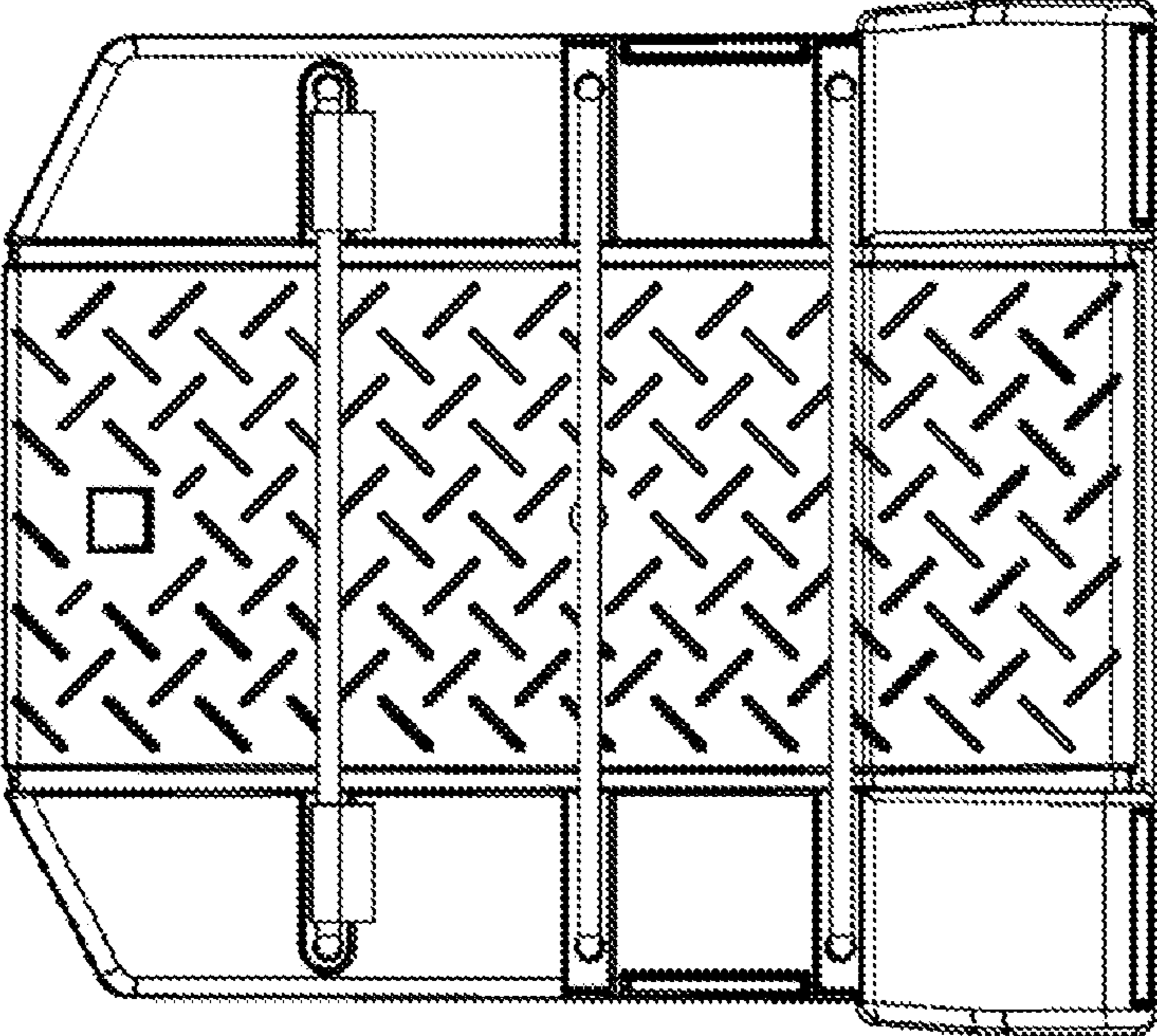


FIG. 3

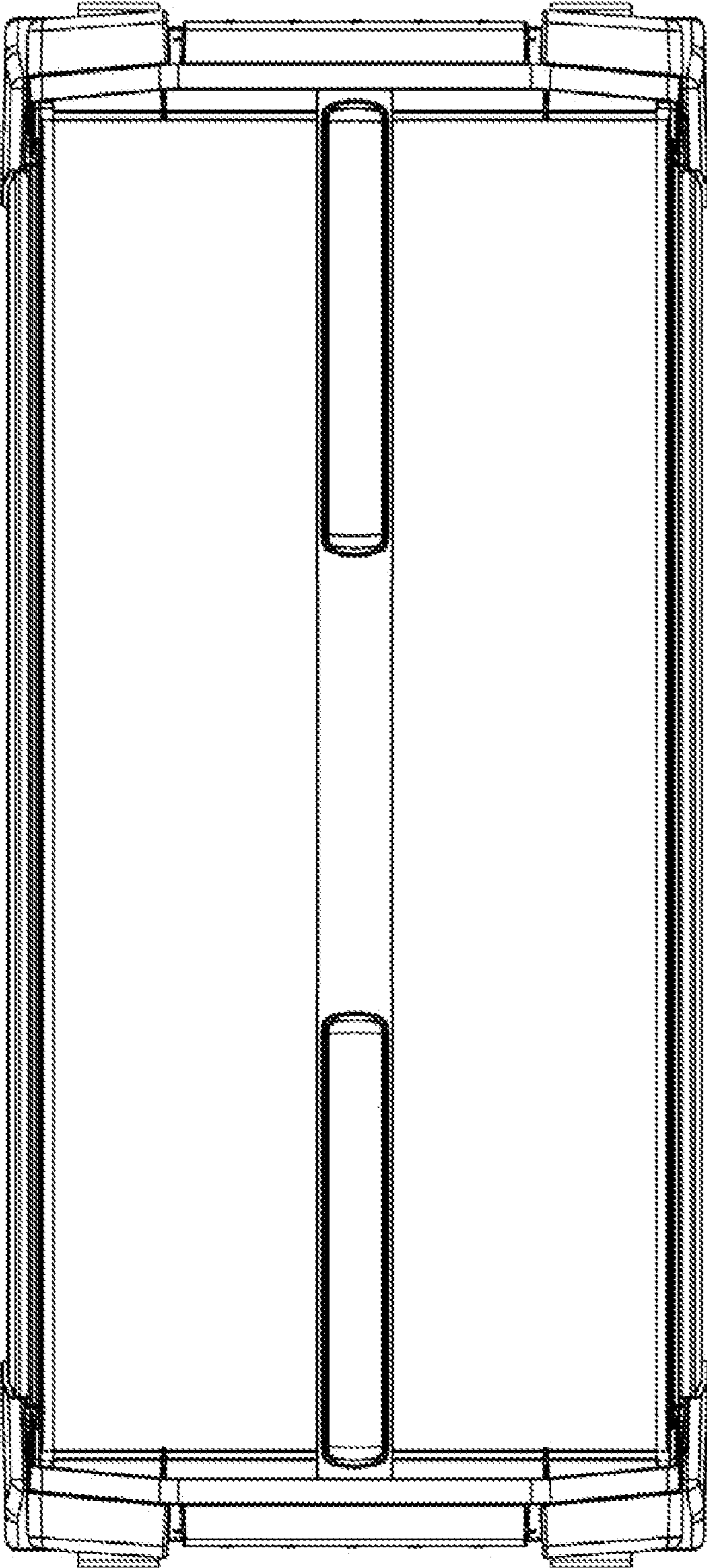


FIG. 4

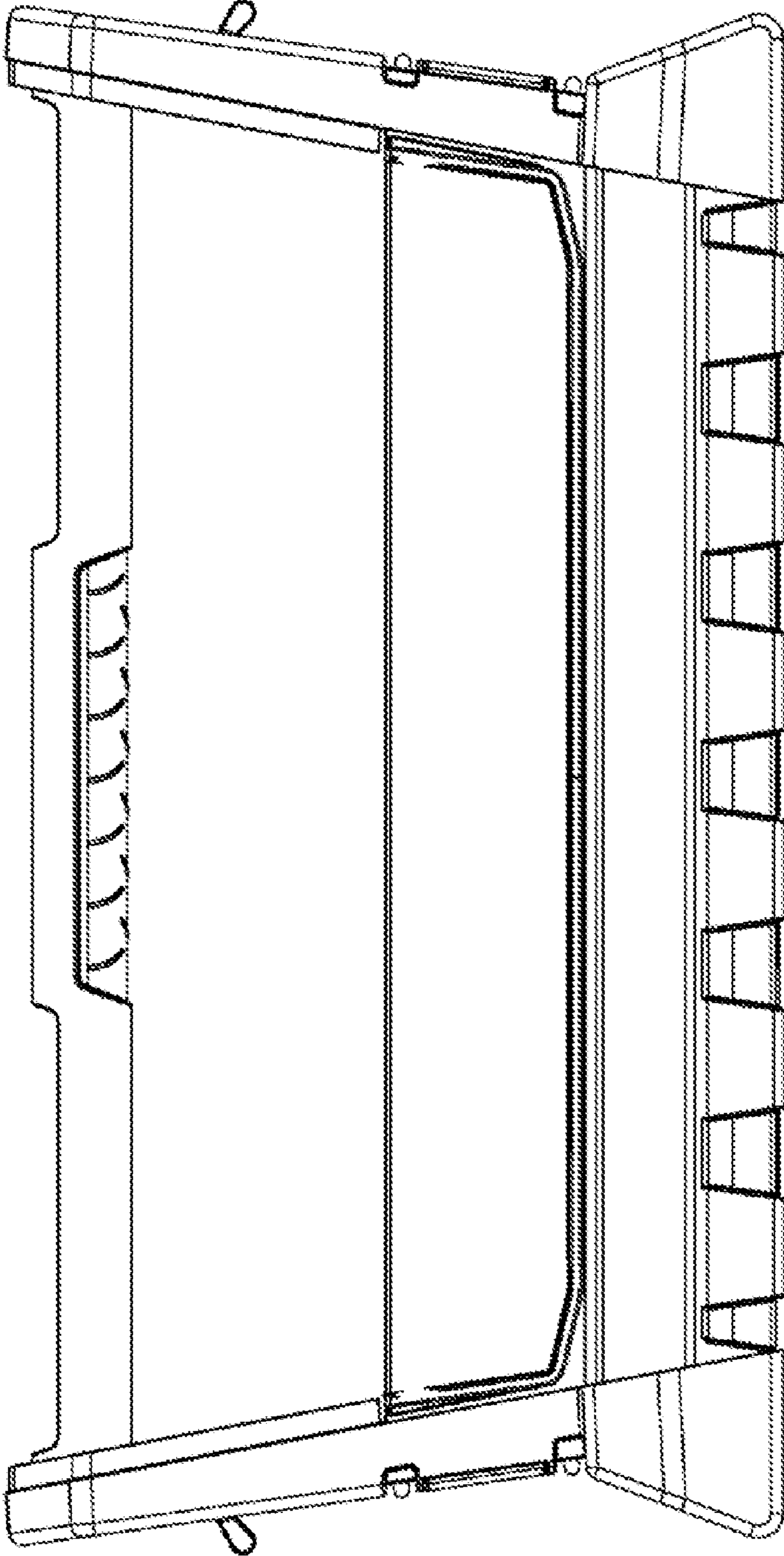


FIG. 5

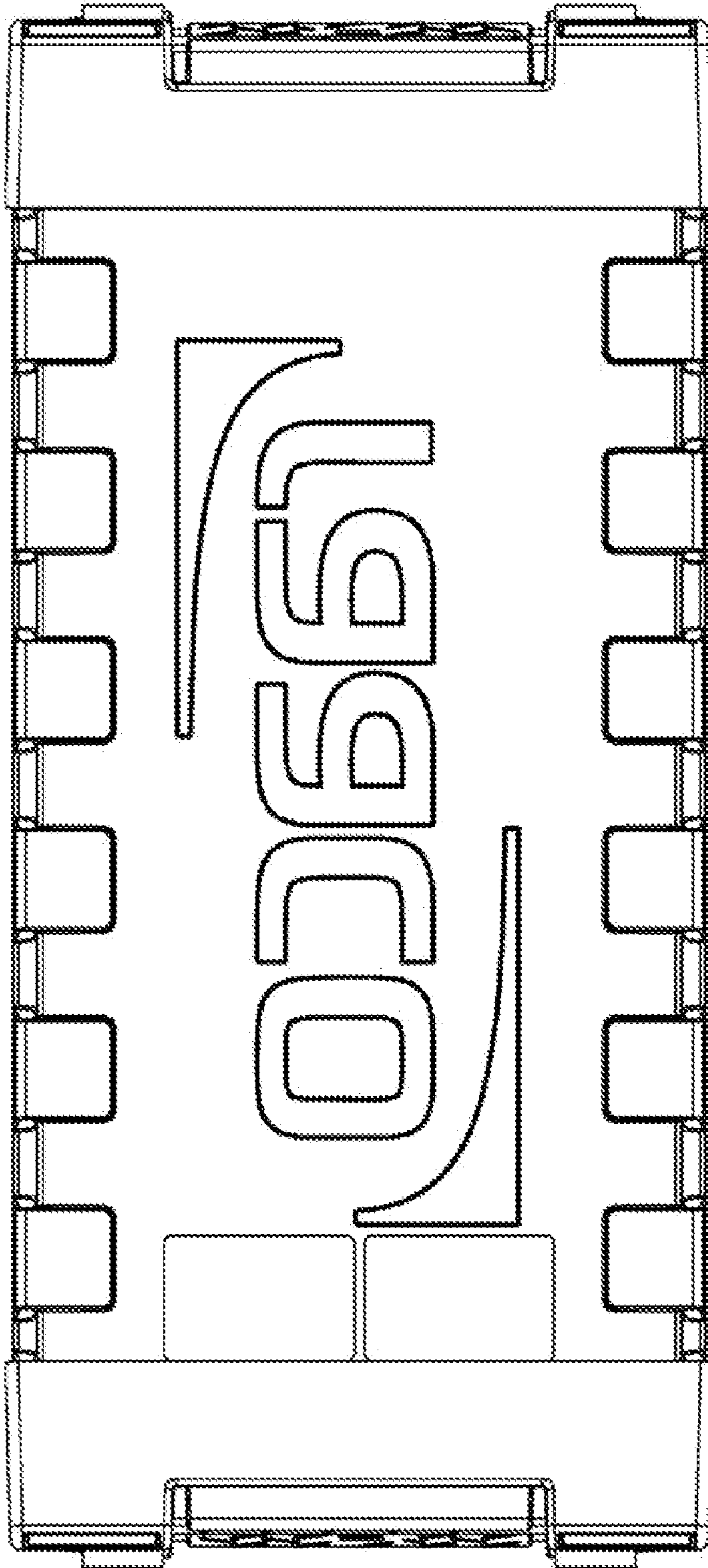


FIG. 6