



US00D624318S

(12) **United States Design Patent**  
**Williams et al.**

(10) **Patent No.:** **US D624,318 S**  
(45) **Date of Patent:** **\*\* Sep. 28, 2010**

(54) **LAPTOP SLEEVE**  
(75) Inventors: **Matthew G. Williams**, Lighthouse Point, FL (US); **Terrence P. Kinsky**, Alpharetta, GA (US)  
(73) Assignee: **Union Rich USA LLC**, Boca Raton, FL (US)  
(\*\*) Term: **14 Years**

D582,675 S \* 12/2008 Nelson ..... D3/301  
D592,400 S \* 5/2009 Nelson ..... D3/303  
D594,659 S \* 6/2009 Lown et al. .... D3/299  
D598,195 S \* 8/2009 Lown et al. .... D3/301  
D601,799 S \* 10/2009 Andre et al. .... D3/303  
D606,309 S \* 12/2009 Lown et al. .... D3/301  
D610,809 S \* 3/2010 Lown et al. .... D3/303  
D611,253 S \* 3/2010 Lown et al. .... D3/301  
2006/0226040 A1 \* 10/2006 Medina ..... 206/320  
2006/0228052 A1 \* 10/2006 Hess ..... 383/10

(21) Appl. No.: **29/346,560**  
(22) Filed: **Nov. 2, 2009**

(51) **LOC (9) Cl.** ..... **03-01**  
(52) **U.S. Cl.** ..... **D3/299**  
(58) **Field of Classification Search** ..... D3/201,  
D3/203.1, 215, 218-219, 225-226, 230, 267,  
D3/273, 289, 299, 300-301, 303, 900; D6/407,  
D6/632-63; D9/424; D14/299, 432, 439,  
D14/440; 190/900-903; 206/216, 320, 576;  
383/10, 61.1

See application file for complete search history.

(56) **References Cited**

**U.S. PATENT DOCUMENTS**

4,421,150 A \* 12/1983 Masters ..... 383/61.1  
D294,081 S \* 2/1988 Ito ..... D3/219  
D294,082 S \* 2/1988 Ito ..... D3/219  
D416,676 S \* 11/1999 Fitzgerald ..... D3/226  
6,305,538 B1 \* 10/2001 Jackson ..... 206/316.3  
D467,079 S \* 12/2002 Willows et al. .... D3/303  
D468,093 S \* 1/2003 Hassett ..... D3/218  
D507,699 S \* 7/2005 Croke et al. .... D3/226  
D509,057 S \* 9/2005 Bollig ..... D3/226  
D522,750 S \* 6/2006 Girod ..... D3/303  
D530,089 S \* 10/2006 Silverman ..... D3/287  
D537,625 S \* 3/2007 Michelin et al. .... D3/226  
D569,096 S \* 5/2008 Swartz et al. .... D3/201

**OTHER PUBLICATIONS**

Jersey Laptop Sleeve. Downloaded May 10, 2010 at [http://www.google.com/imgres?imgurl=http://www.candedesigns.com/candedesigns/files/laptopsl...\\*](http://www.google.com/imgres?imgurl=http://www.candedesigns.com/candedesigns/files/laptopsl...)

\* cited by examiner

*Primary Examiner*—Philip S Hyder  
*Assistant Examiner*—Roselyne Cody  
(74) *Attorney, Agent, or Firm*—Novak Druce + Quigg LLP; J. Rodman Steele, Jr.; Gregory M. Lefkowitz

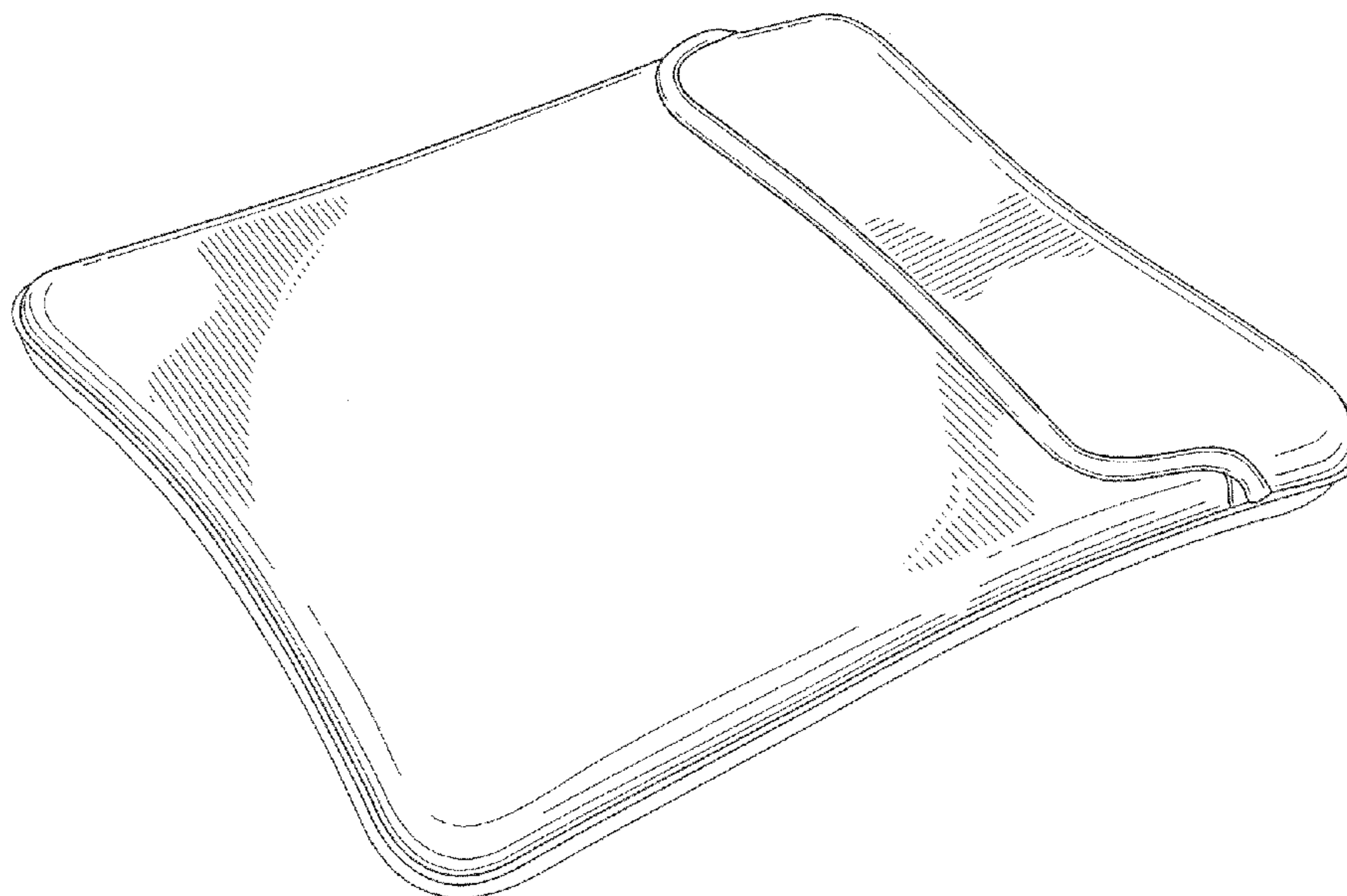
(57) **CLAIM**

The ornamental design for a laptop sleeve, as shown and described.

**DESCRIPTION**

FIG. 1 is a perspective view of our new design for a laptop sleeve;  
FIG. 2 is a top view thereof;  
FIG. 3 is a bottom view thereof;  
FIG. 4 is a front elevation view thereof;  
FIG. 5 is a rear elevation view thereof;  
FIG. 6 is a right view thereof; and,  
FIG. 7 is a left view thereof.

**1 Claim, 5 Drawing Sheets**



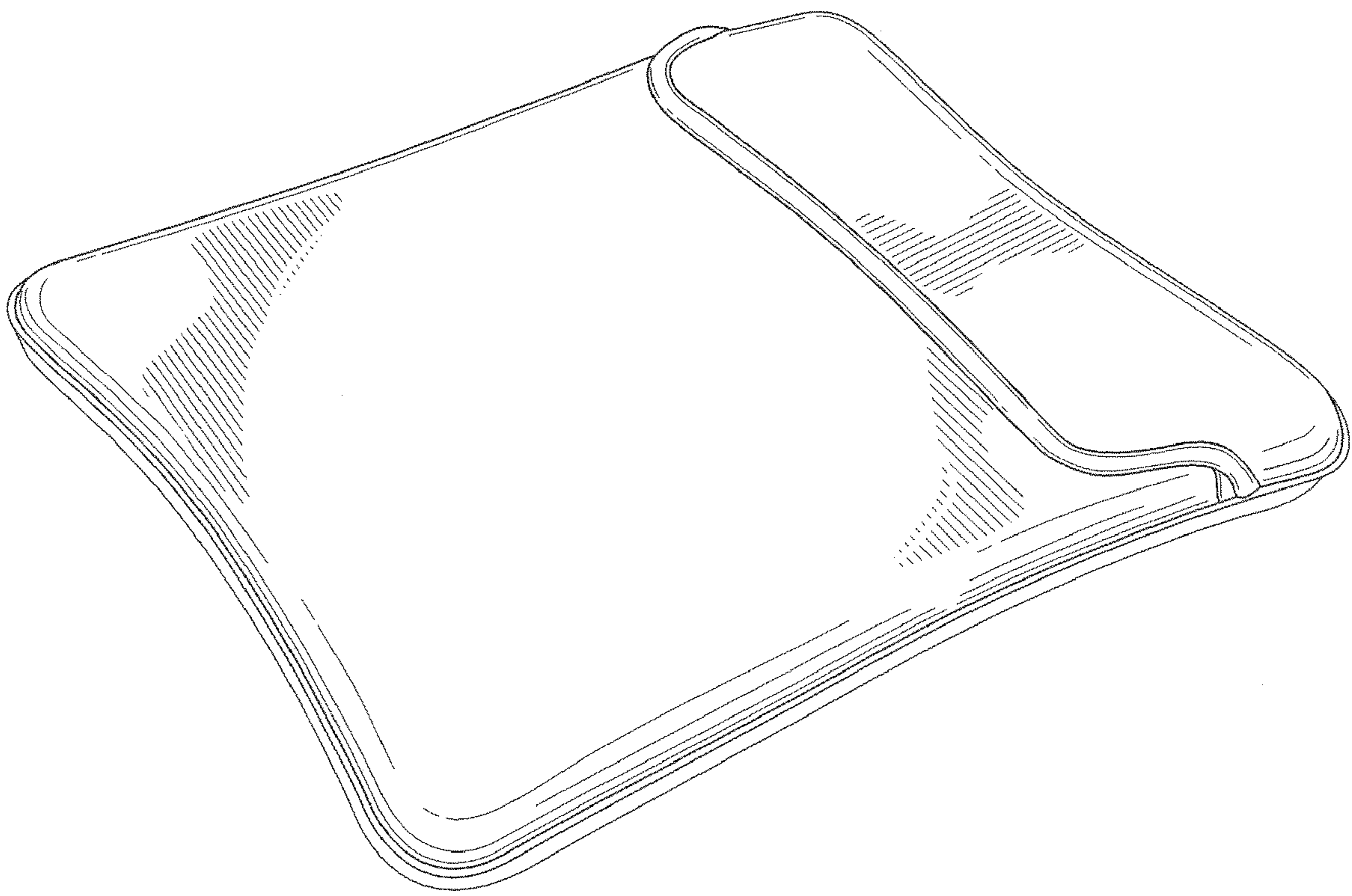


FIG. 1

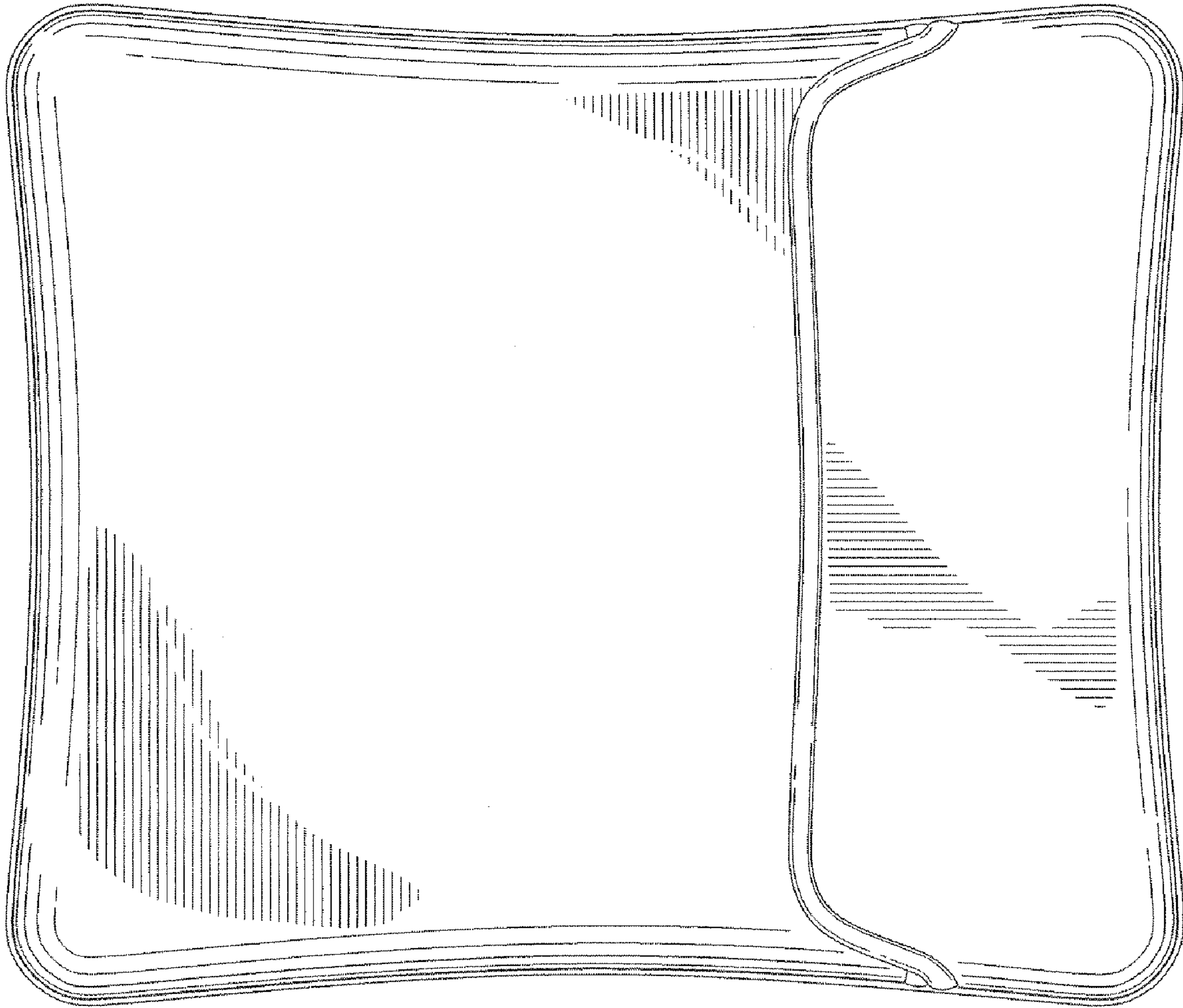


FIG. 2

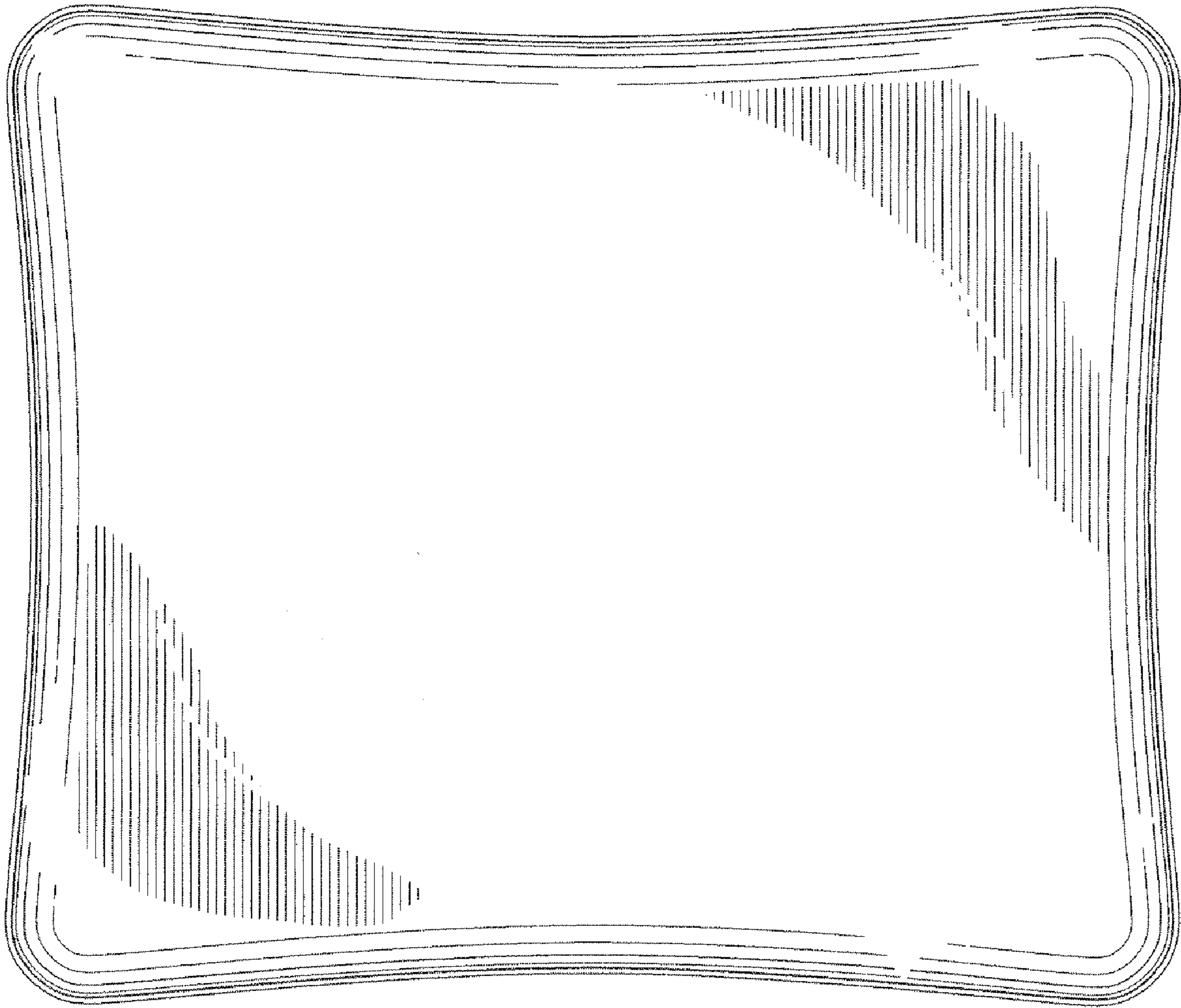


FIG. 3

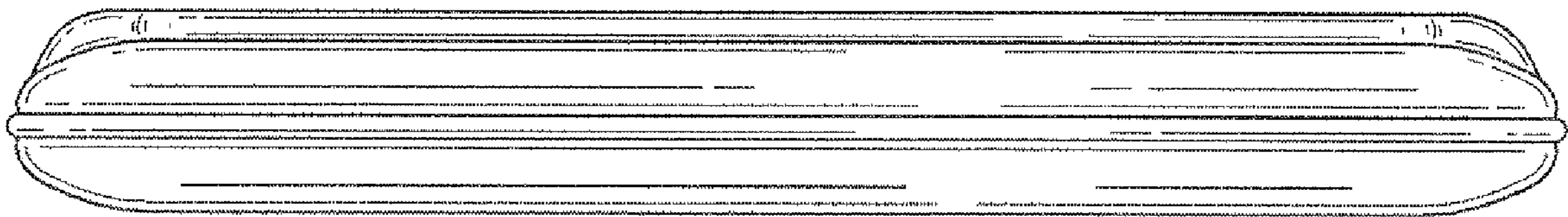


FIG. 4

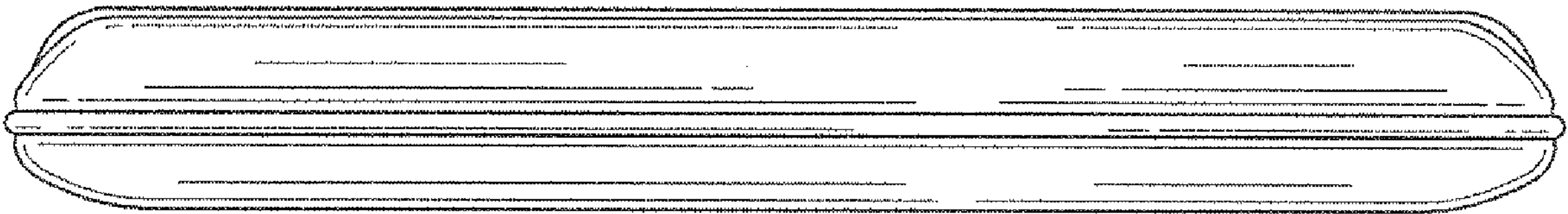


FIG. 5

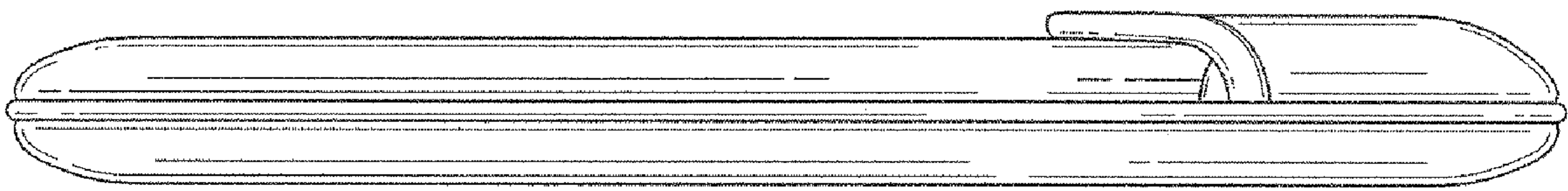


FIG. 6

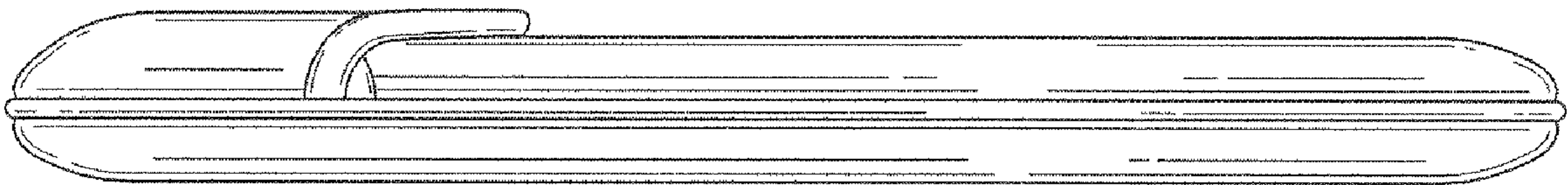


FIG. 7