



US00D624317S

(12) **United States Design Patent**  
**Wenchel et al.**

(10) **Patent No.:** **US D624,317 S**

(45) **Date of Patent:** **\*\* Sep. 28, 2010**

(54) **TOOL CONTAINER**

(75) Inventors: **Lauren M Wenchel**, Sparks, MD (US);  
**Gabriel Concari**, Eldersburg, MD (US);  
**Robert P. Welsh**, Phoenix, MD (US)

(73) Assignee: **Black & Decker Inc.**, Newark, DE (US)

(\*\*) Term: **14 Years**

(21) Appl. No.: **29/342,878**

(22) Filed: **Sep. 2, 2009**

(51) **LOC (9) Cl.** ..... **03-01**

(52) **U.S. Cl.** ..... **D3/294; D3/905**

(58) **Field of Classification Search** ..... D3/201,  
D3/260, 273, 281–282, 294–295, 301, 905;  
D21/333; 43/54.1; 206/315.11, 811; 220/4.21–4.24  
See application file for complete search history.

(56) **References Cited**

**U.S. PATENT DOCUMENTS**

2,702,649	A	2/1955	Neilson	
2,730,263	A	1/1956	Neilson	
3,656,727	A	4/1972	Greenlee	
3,983,976	A	10/1976	Taylor	
4,131,203	A	12/1978	Bridges	
4,133,507	A	1/1979	Chervenak	
4,160,570	A	7/1979	Bridges	
4,703,850	A	11/1987	Walker	
4,899,971	A	2/1990	Elkin	
4,930,628	A	6/1990	Bridges	
5,133,455	A	7/1992	Chow	
5,924,615	A	7/1999	McGarrah	
D419,297	S *	1/2000	Richardson et al.	D3/273
D419,768	S *	2/2000	Richardson et al.	D3/273
D432,304	S *	10/2000	Zurwelle et al.	D3/281
6,322,177	B1	11/2001	Vasudeva	
6,401,996	B1	6/2002	Thom et al.	
D464,196	S *	10/2002	Parker	D3/273
6,467,577	B1	10/2002	Charlebois, Jr.	
D465,330	S *	11/2002	Parker	D3/273
6,905,015	B2	6/2005	Hernandez, Jr. et al.	
D514,807	S *	2/2006	Concari et al.	D3/273
D516,309	S *	3/2006	Richardson et al.	D3/273

D516,310	S *	3/2006	Brunson et al.	D3/273
D516,807	S *	3/2006	Richardson et al.	D3/273
D516,808	S *	3/2006	Brunson et al.	D3/273
7,258,230	B2	8/2007	Hernandez, Jr. et al.	
D553,857	S *	10/2007	Pendergraph et al.	D3/273
D578,759	S *	10/2008	Grenier et al.	D3/294
D579,202	S *	10/2008	Grenier et al.	D3/294
7,533,782	B2 *	5/2009	Parker et al.	220/326
7,559,427	B2	7/2009	Hu	
2002/0179437	A1	12/2002	Ko	
2005/0199522	A1	9/2005	Hu	
2008/0041746	A1	2/2008	Hsiao	
2008/0149678	A1	6/2008	Huang	

(Continued)

**FOREIGN PATENT DOCUMENTS**

DE 7619537 10/1976

(Continued)

*Primary Examiner*—Philip S Hyder

*Assistant Examiner*—Roselynn Cody

(74) *Attorney, Agent, or Firm*—Scott B. Markow; Adan Ayala

(57) **CLAIM**

The ornamental design for a tool container, as shown and described.

**DESCRIPTION**

FIG. 1 is a top/front/right perspective view of the tool container.

FIG. 2 is a top/back/right perspective view thereof.

FIG. 3 is a front view thereof.

FIG. 4 is a rear view thereof.

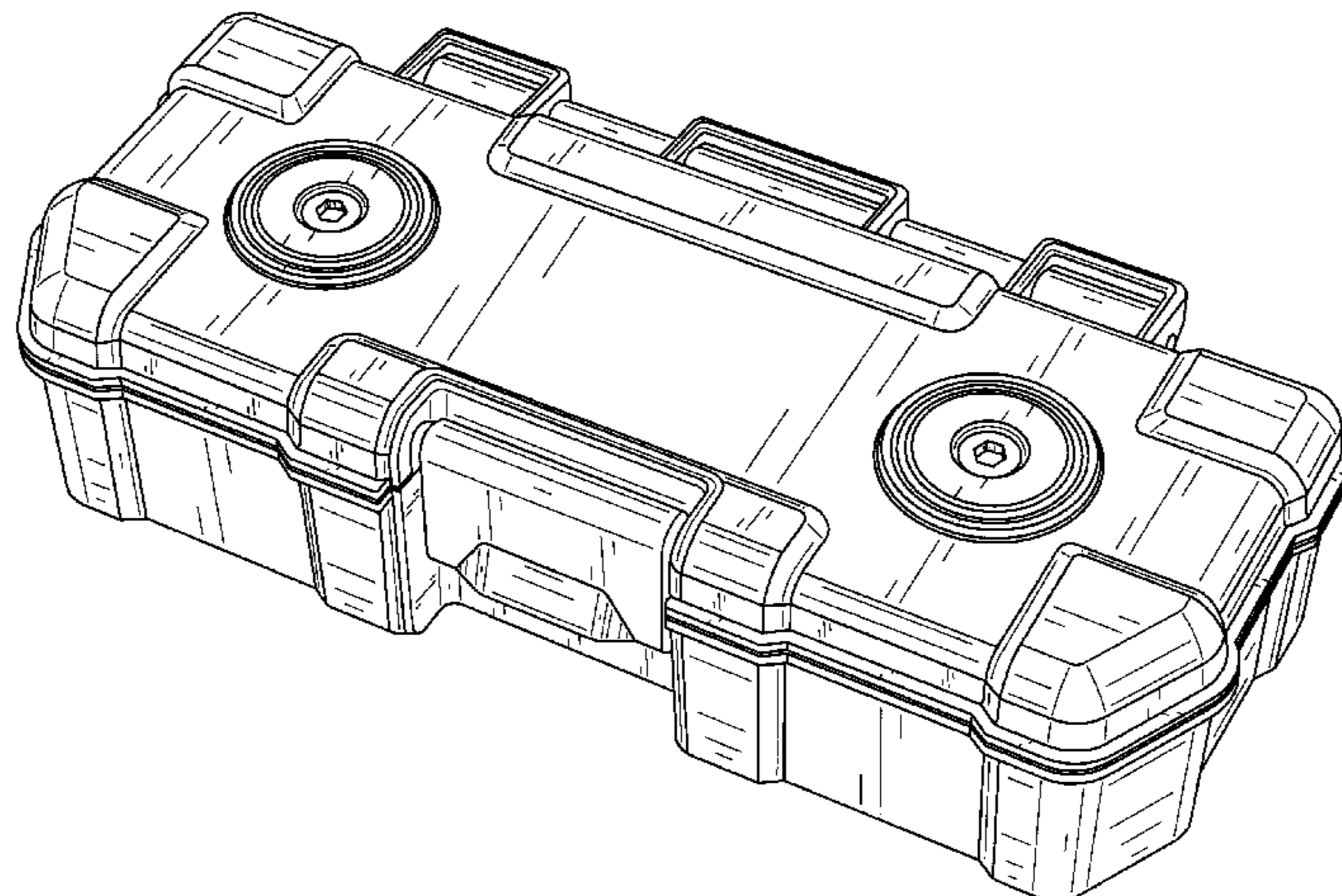
FIG. 5 is a left view thereof.

FIG. 6 is a right view thereof.

FIG. 7 is a top view thereof; and,

FIG. 8 is a bottom view thereof.

**1 Claim, 6 Drawing Sheets**



# US D624,317 S

Page 2

---

## U.S. PATENT DOCUMENTS

2008/0314795 A1 12/2008 Lin

## FOREIGN PATENT DOCUMENTS

DE	8510512.0	8/1985
DE	3502646.4	7/1986
DE	8807560.5	8/1988
DE	9109789.4	9/1991
DE	4012909.8	10/1991

DE	4433520.2	3/1996
DE	19712213	10/1997
DE	29800782.7	3/1998
DE	19927655	1/2001
DE	10146034.1	5/2002
DE	102005011139.4	9/2005
DE	102004033080.8	1/2006
DE	202007000254.8	3/2007
DE	202007007969.9	8/2007

\* cited by examiner

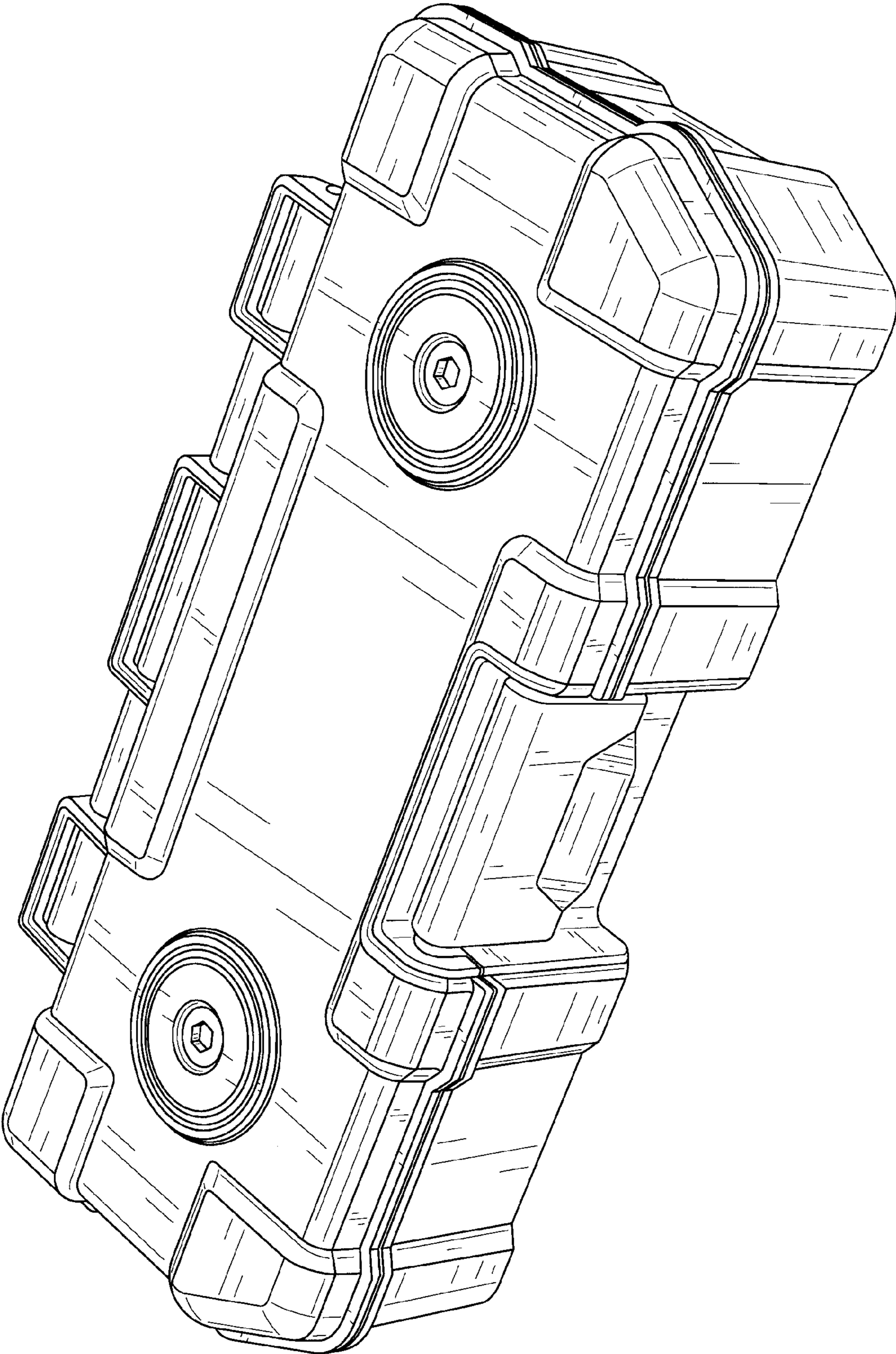


FIG. 1



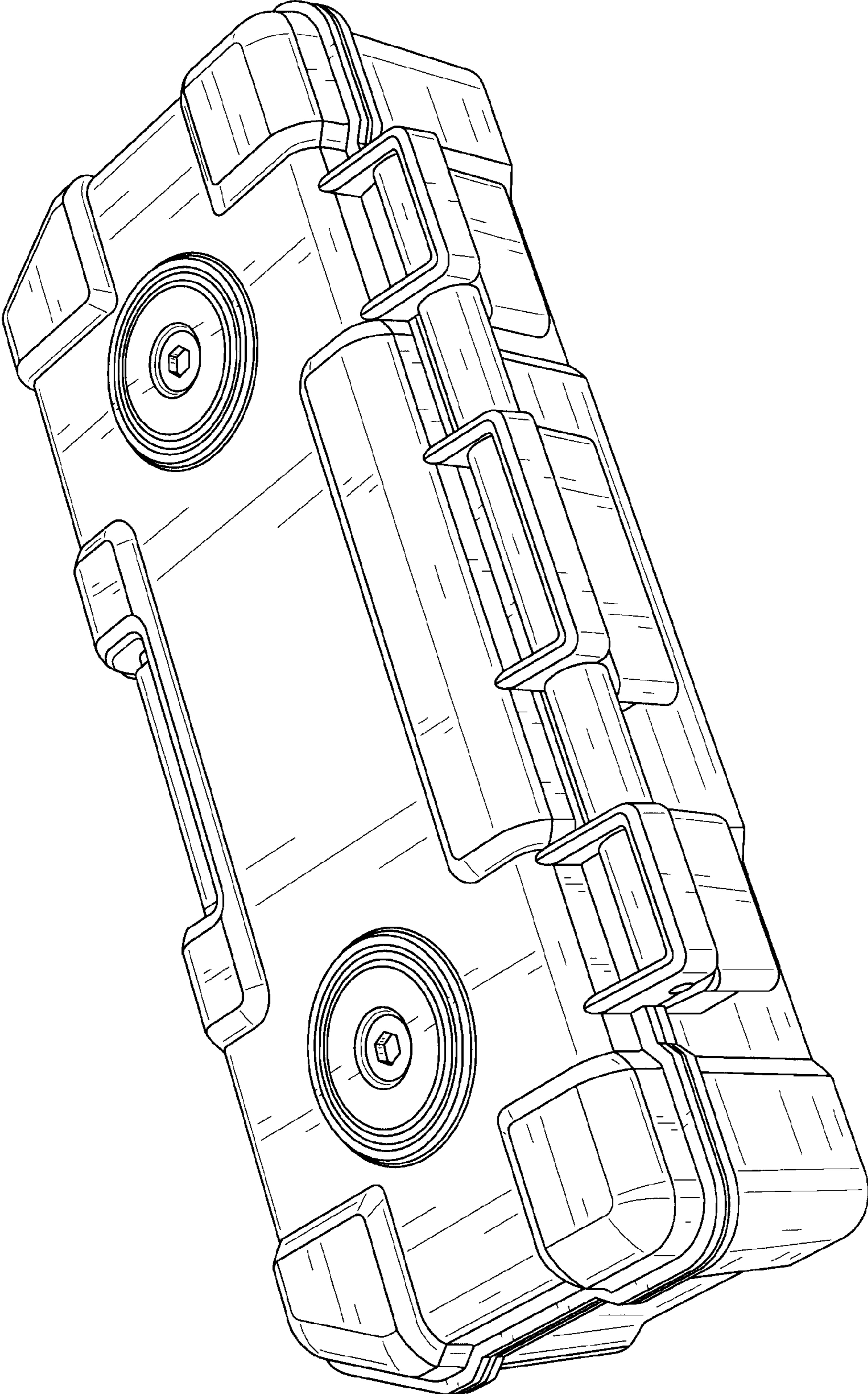


FIG. 2

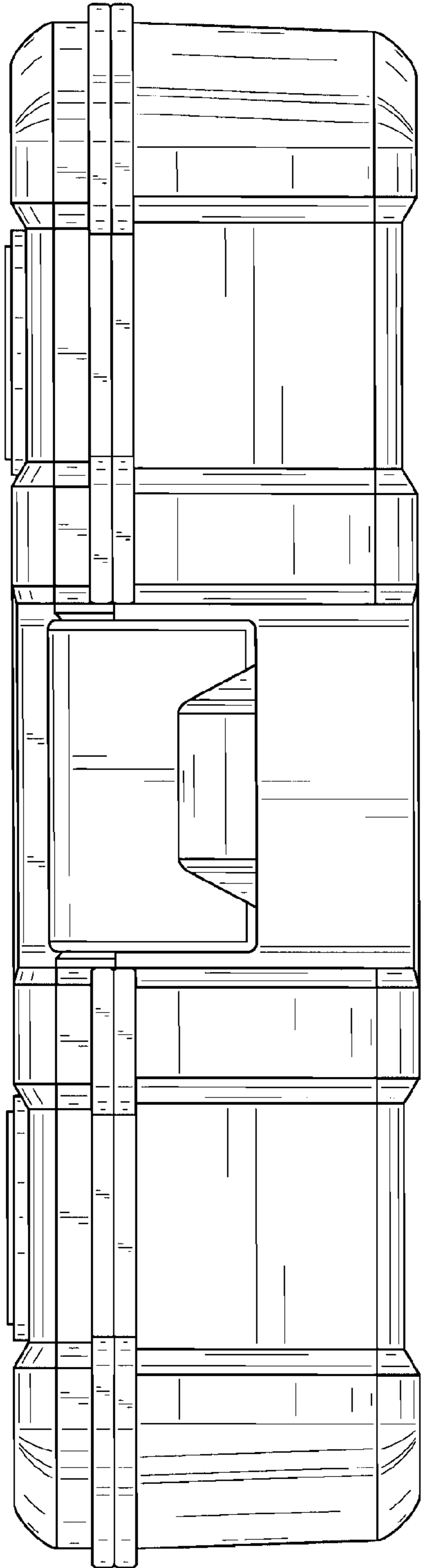


FIG. 3

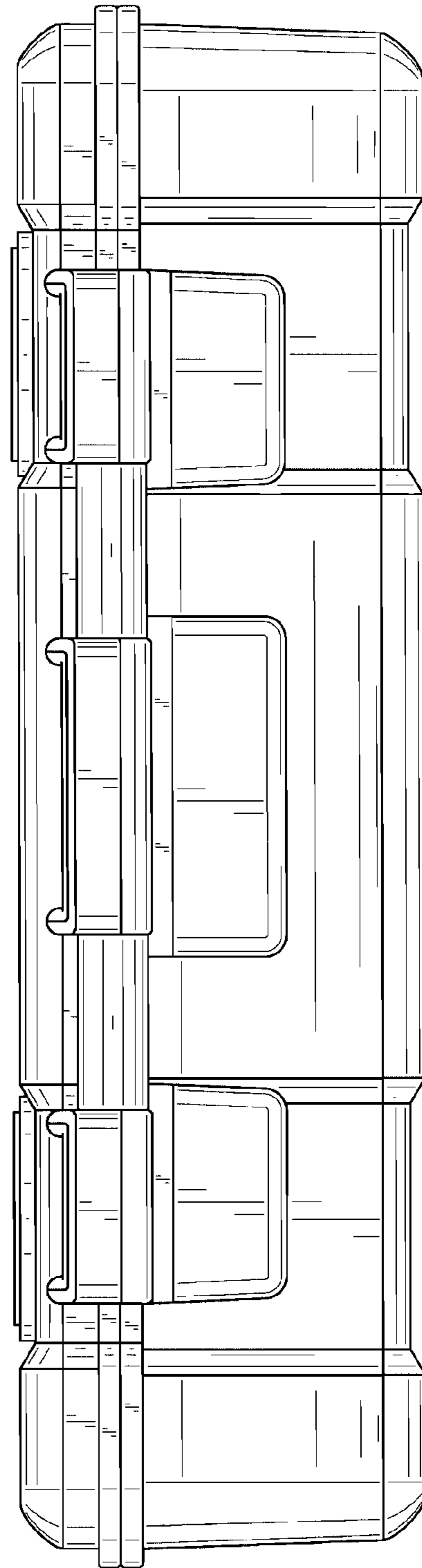


FIG. 4

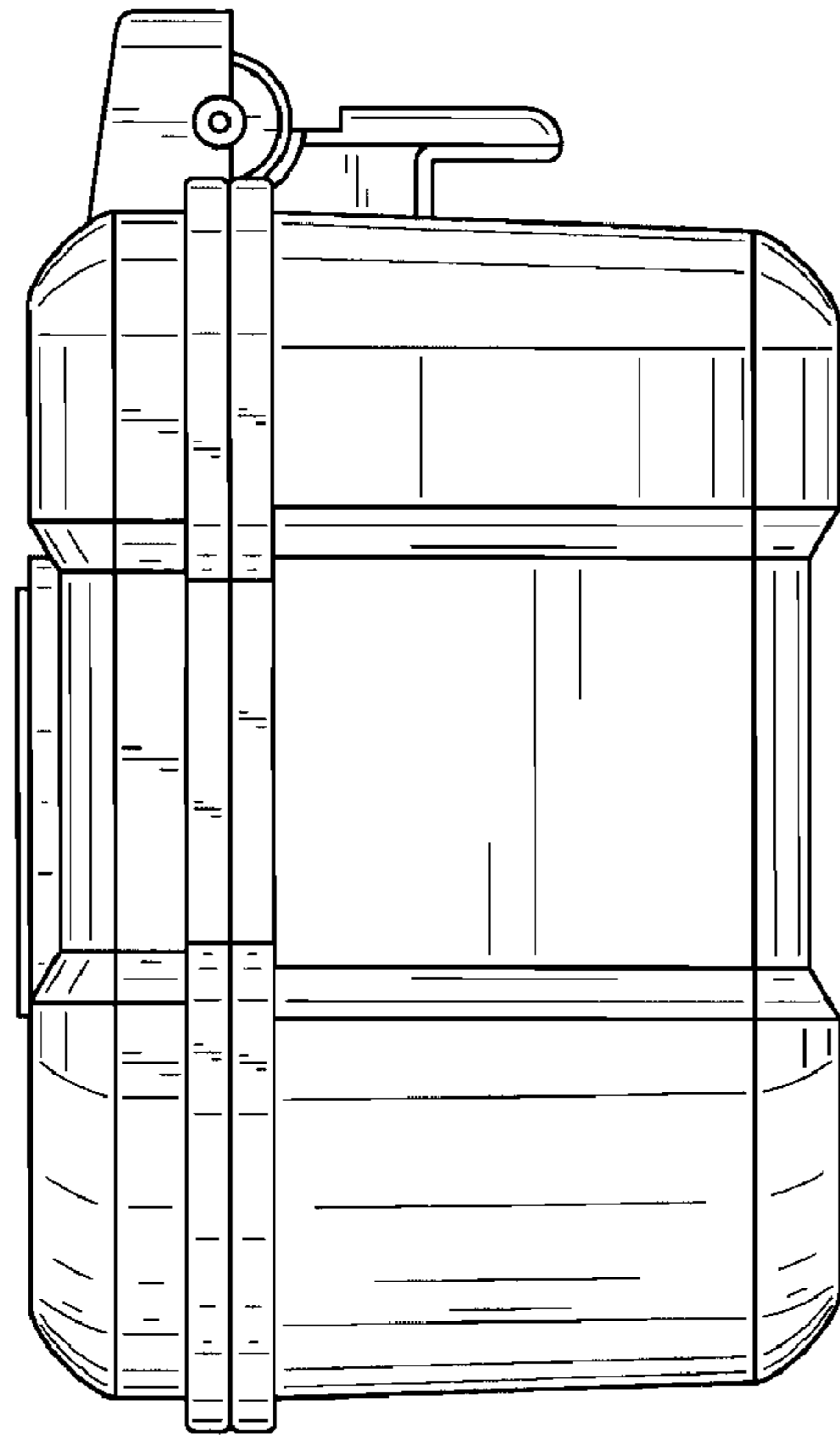


FIG. 6

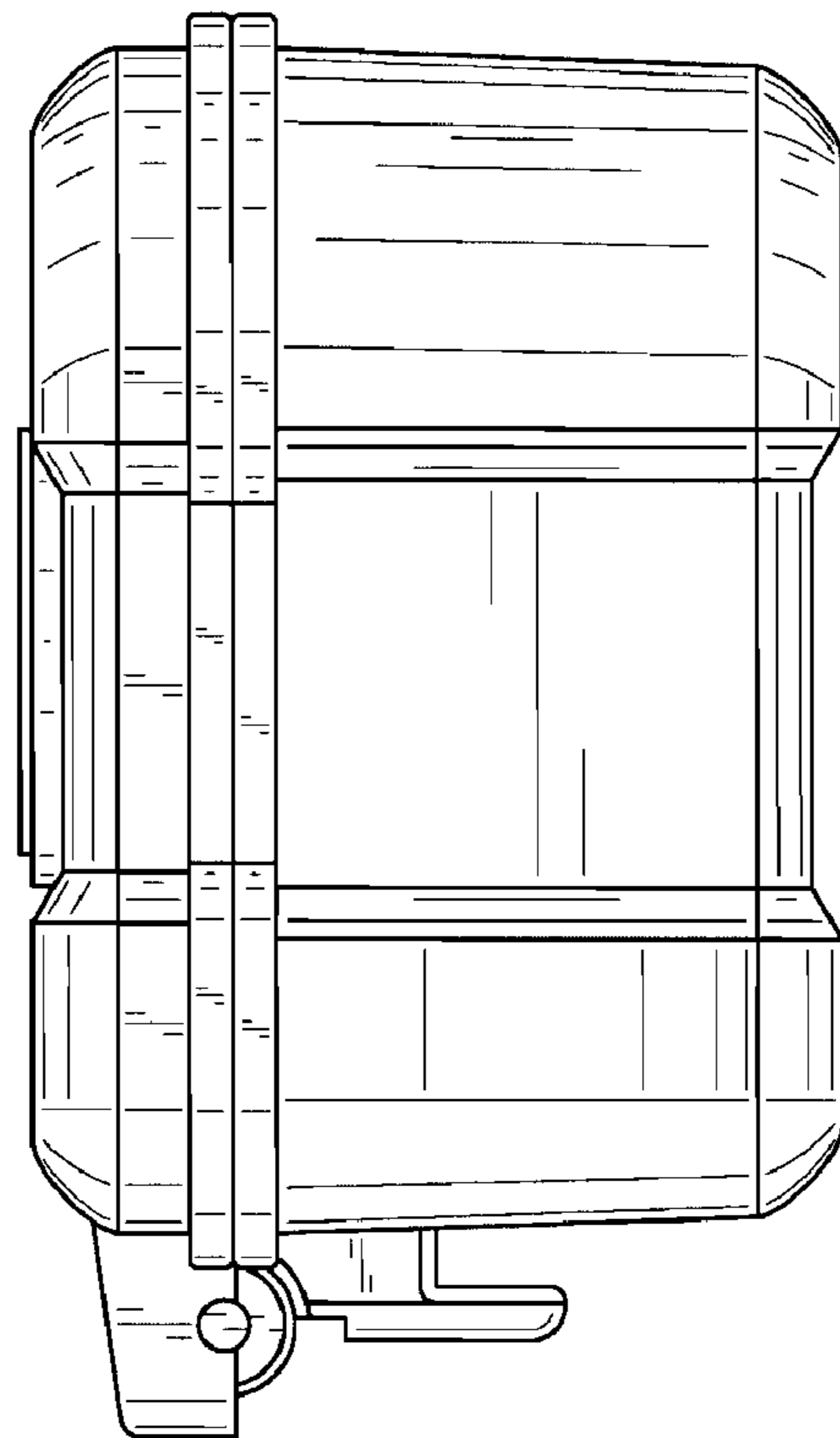


FIG. 5

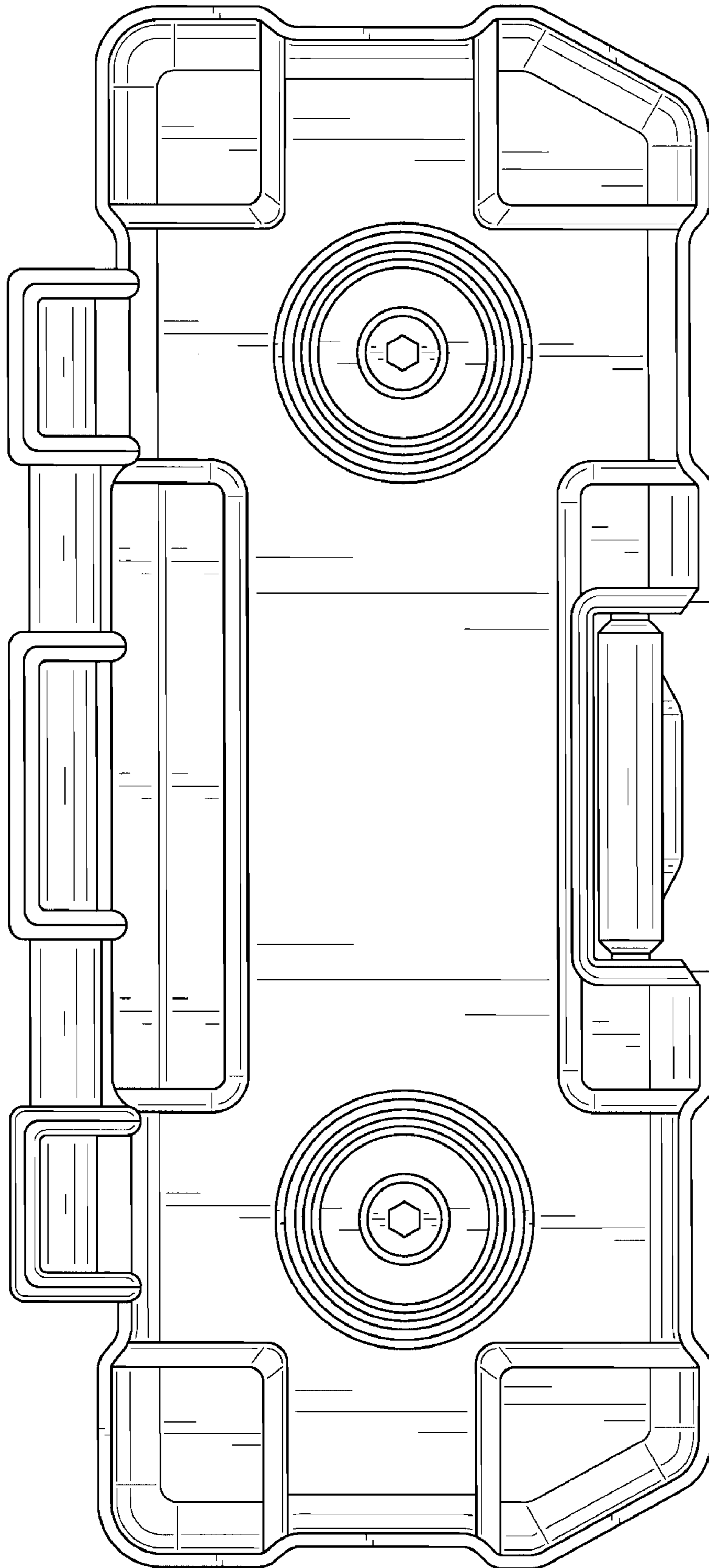


FIG. 7

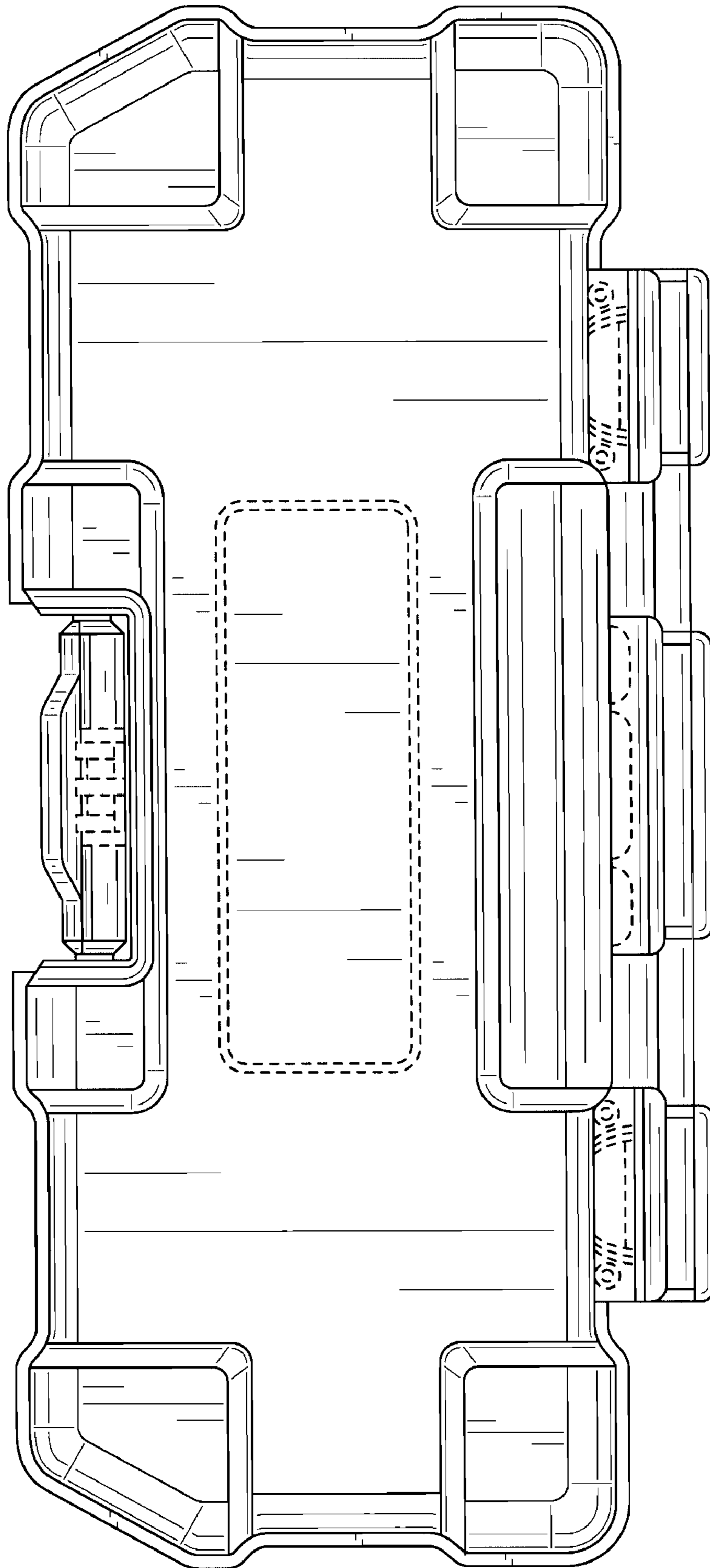


FIG. 8