

US00D624316S

(12) **United States Design Patent**
Ferber et al.

(10) **Patent No.:** **US D624,316 S**

(45) **Date of Patent:** **** Sep. 28, 2010**

(54) **CASE FOR ELECTRONIC ACCESSORIES**

(75) Inventors: **Roman S. Ferber**, West Bloomfield, MI (US); **Hing Wah Tsang**, Ajax (CA); **Elizabeth Harrison-Meyer**, Chicago, IL (US); **Anthony M. Amidei**, Novi, MI (US)

(73) Assignee: **Powermat USA, LLC**, Commerce Township, MI (US)

(**) Term: **14 Years**

(21) Appl. No.: **29/338,526**

(22) Filed: **Jun. 12, 2009**

(51) **LOC (9) Cl.** **03-01**

(52) **U.S. Cl.** **D3/294**

(58) **Field of Classification Search** D3/205, D3/274-275, 283-286, 294-295, 297, 299, D3/301-302, 901-903; D9/423, 432; D28/73, D28/77, 83; 206/6.1, 301, 570, 571
See application file for complete search history.

(56) **References Cited**

U.S. PATENT DOCUMENTS

D42,949	S	*	8/1912	Perkins	D9/423
2,487,883	A	*	11/1949	Le Baron	132/288
3,476,123	A	*	11/1969	Flax	132/315
D223,314	S	*	4/1972	Goldfeder	D3/200
D265,661	S	*	8/1982	Schoenfeld et al.	D21/349
D281,033	S	*	10/1985	Mohri	D3/295
D282,690	S	*	2/1986	Legrottaglie	D28/83
D285,414	S	*	9/1986	Goetz et al.	D9/420
D364,563	S	*	11/1995	Miller et al.	D9/423
D417,843	S	*	12/1999	Srinual	D9/423
D497,074	S	*	10/2004	Dardashti	D6/632
D505,347	S	*	5/2005	Huang	D10/87
6,988,630	B2	*	1/2006	Matsumoto	220/254.4
D534,422	S	*	1/2007	Hallberg	D9/422
D565,842	S	*	4/2008	Falcone	D3/294
D566,395	S	*	4/2008	Langer et al.	D3/294
D592,399	S	*	5/2009	Sage	D3/295
7,614,405	B2	*	11/2009	Allen et al.	132/295
2003/0205236	A1	*	11/2003	Lin	132/293

OTHER PUBLICATIONS

PowerMat Carry Case for Charging Tips. Downloaded May 11, 2010 at <http://www.powermat.com/us/mats/portable-mat.html>.*

Legit Reviews: PowerMat. Downloaded May 11, 2010 at <http://www.legitreviews.com/article/1163/1/>.*

* cited by examiner

Primary Examiner—Philip S Hyder

Assistant Examiner—Roselynn Cody

(74) *Attorney, Agent, or Firm*—Brooks Kushman P.C.

(57) **CLAIM**

The ornamental design for a case for electronic accessories, as shown and described.

DESCRIPTION

FIG. 1 is a perspective view of a case for electronic accessories in a closed position;

FIG. 2 is a top plan view thereof;

FIG. 3 is a front side elevation view and a left side elevation view thereof;

FIG. 4 is a right side elevation view and a rear side elevation view thereof;

FIG. 5 is a perspective view of the case for electronic accessories shown in an open position;

FIG. 6 is a top plan view thereof;

FIG. 7 is a front side elevation view thereof;

FIG. 8 is a right side elevation view thereof;

FIG. 9 is a perspective view of the case for electronic accessories shown in an alternate open position;

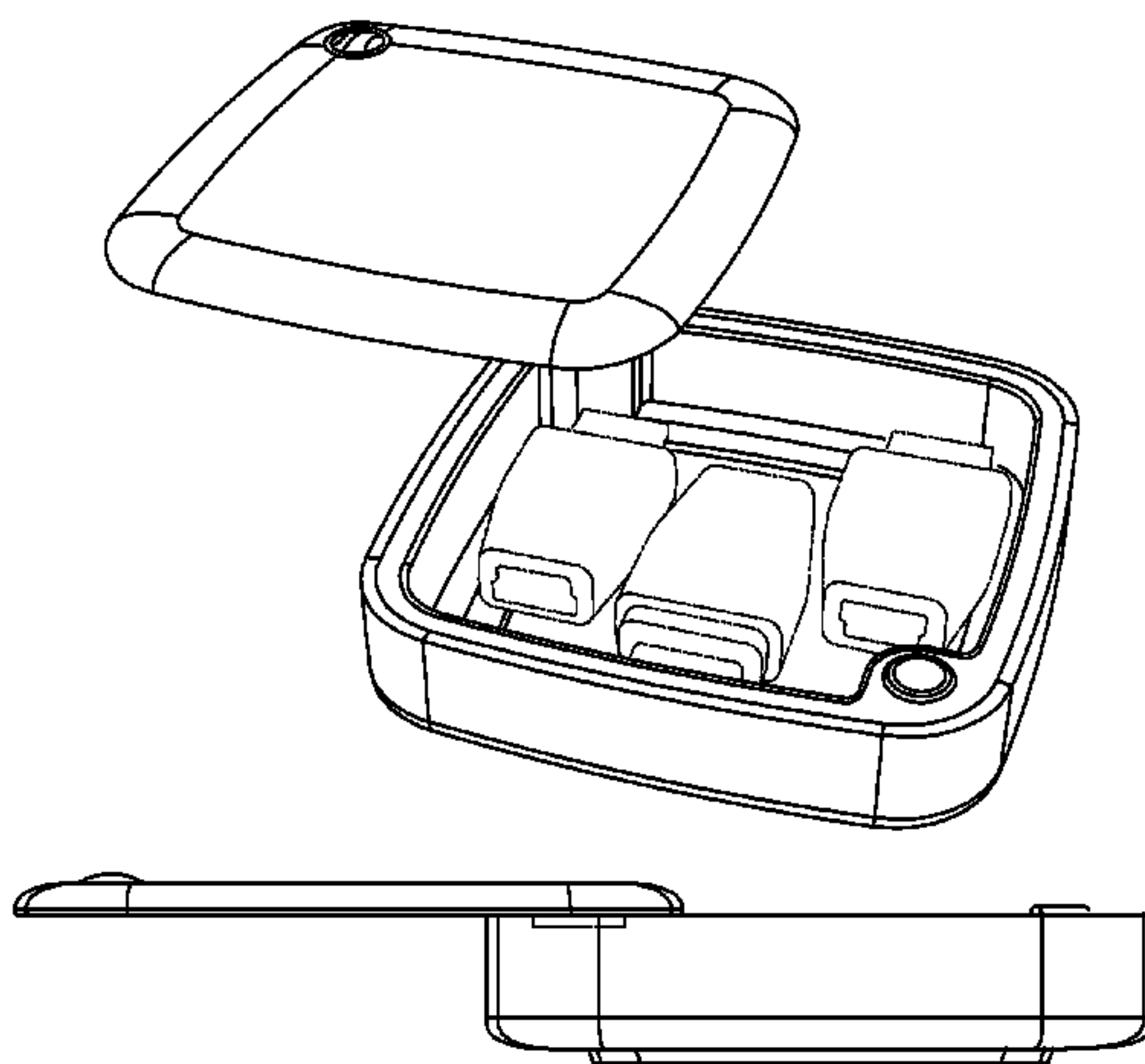
FIG. 10 is a top plan view thereof;

FIG. 11 is a front side elevation view thereof; and,

FIG. 12 is a right side elevation view thereof.

The broken lines shown inside the case of FIGS. 5, 6, 9, and 10 illustrate environment that forms no part of the claimed design. The broken lines in FIGS. 7, 8, 11, and 12 illustrate features of the design which also form no part of the claim.

1 Claim, 5 Drawing Sheets



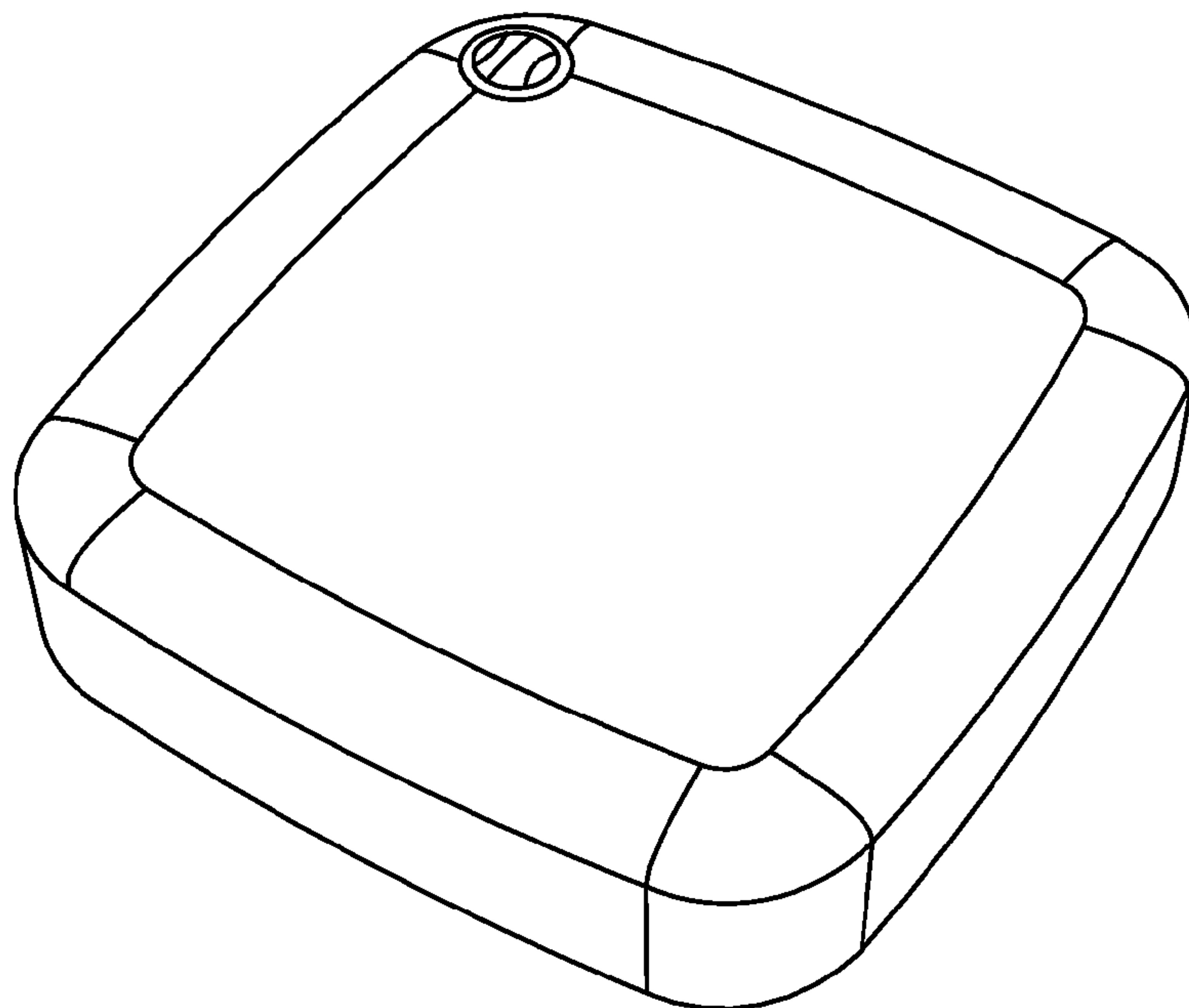


FIG. 1

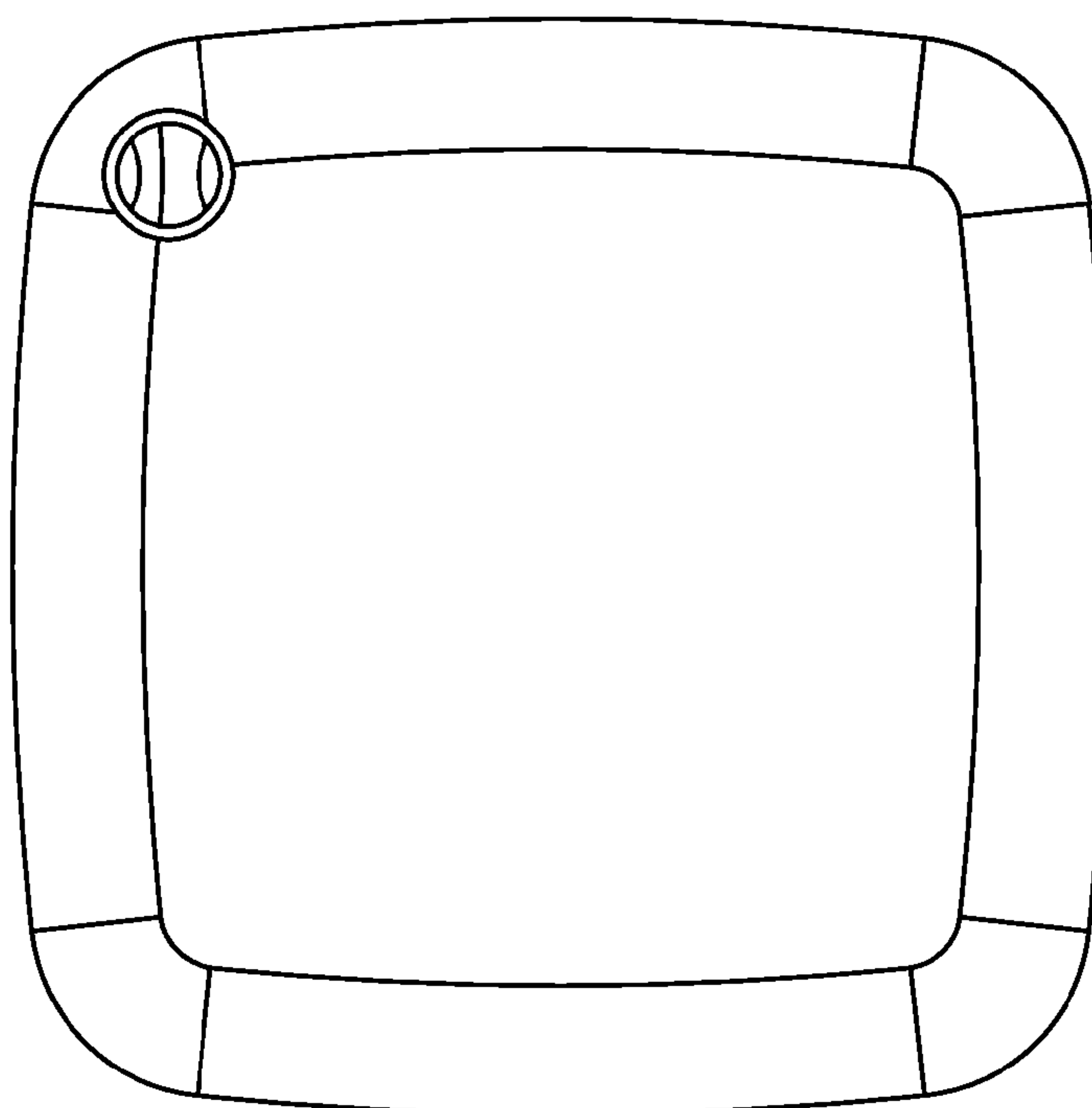


FIG. 2

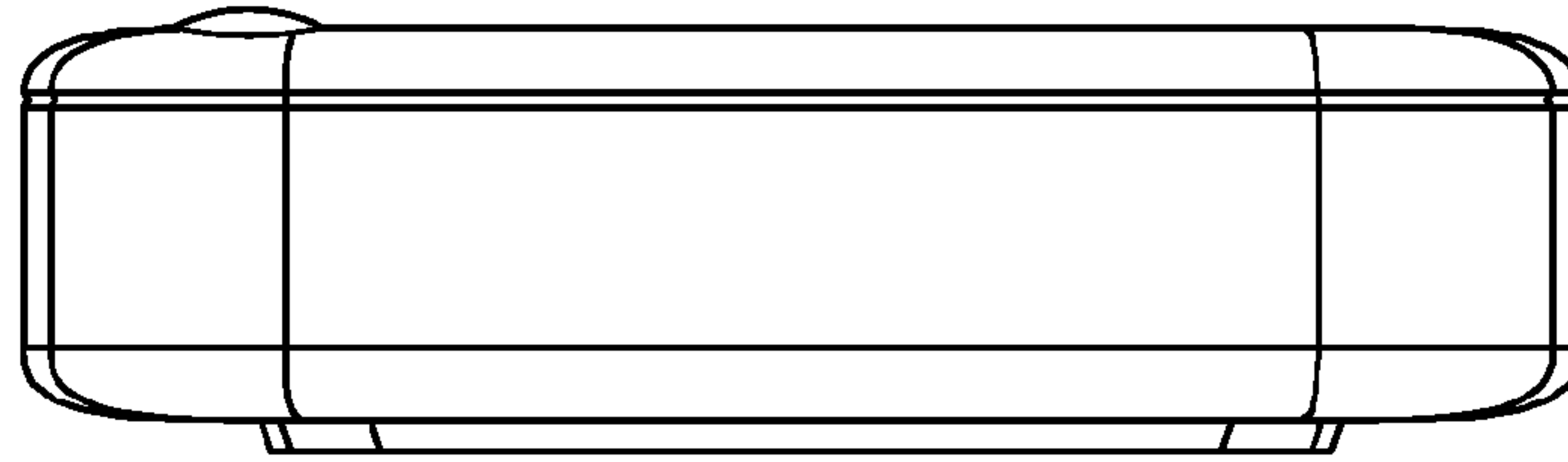


FIG. 3

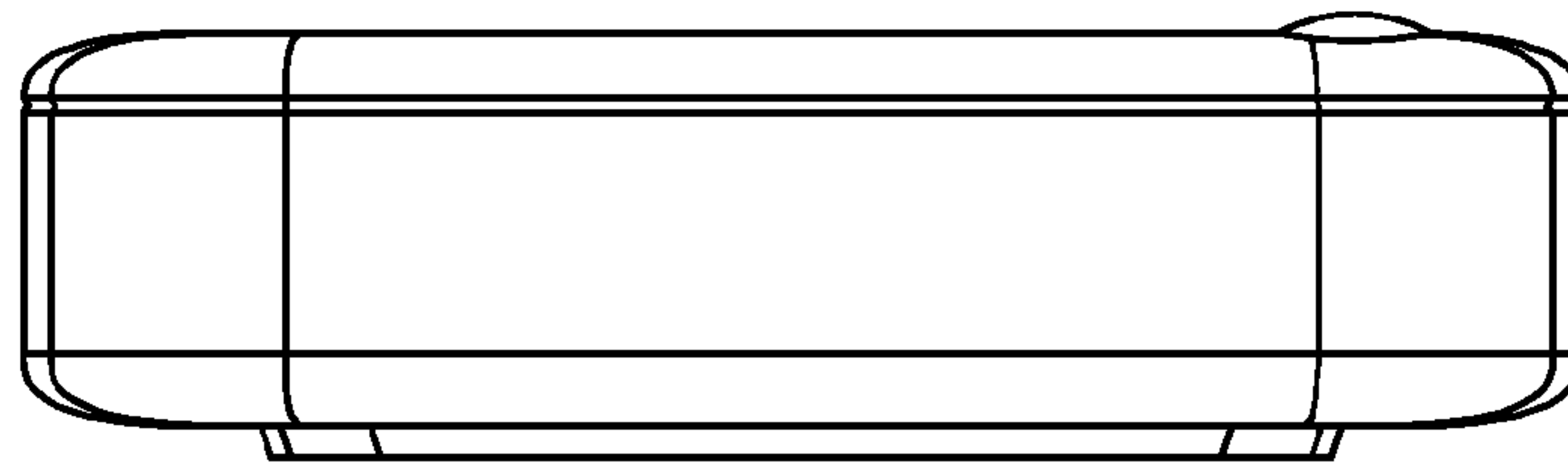


FIG. 4

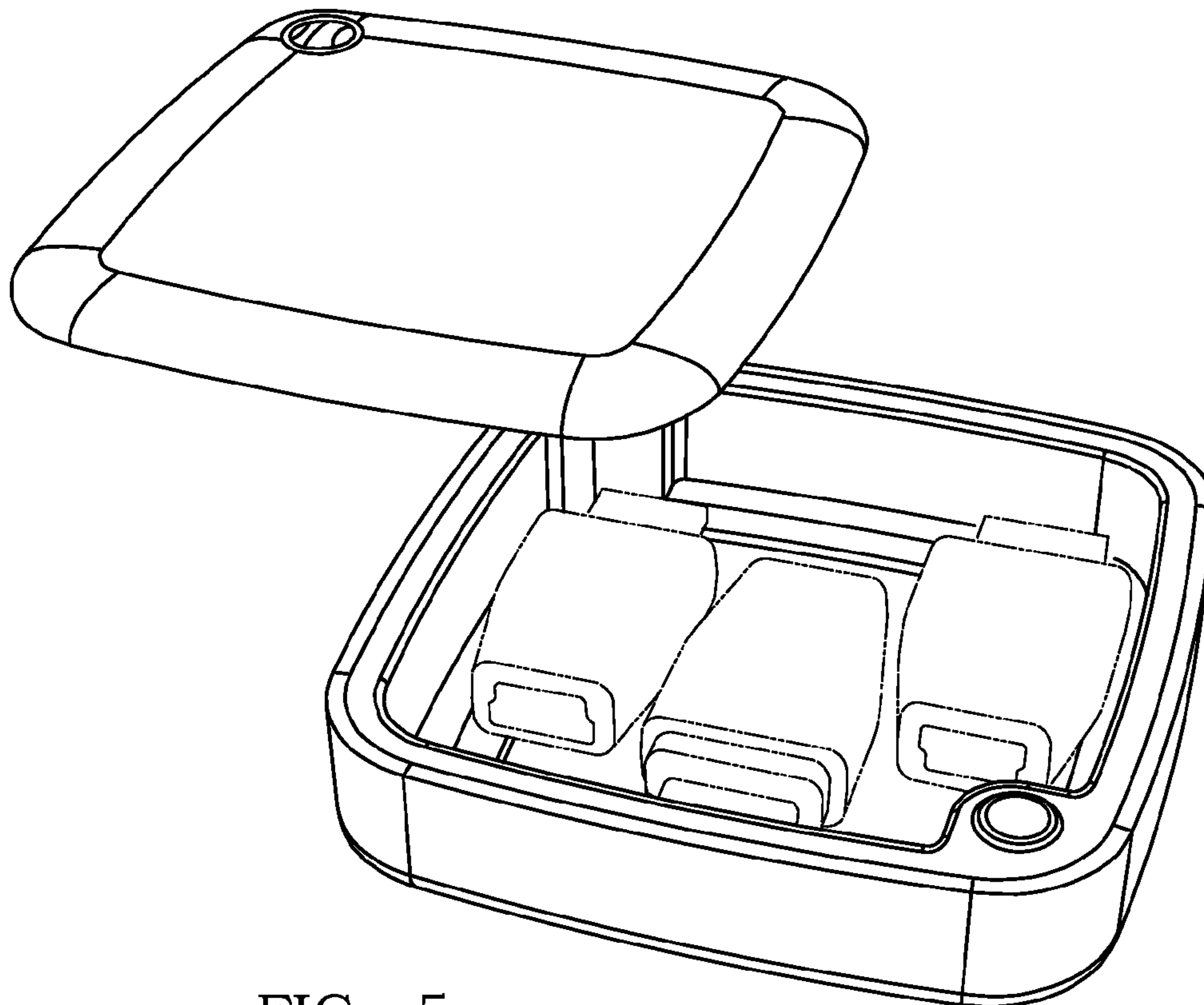
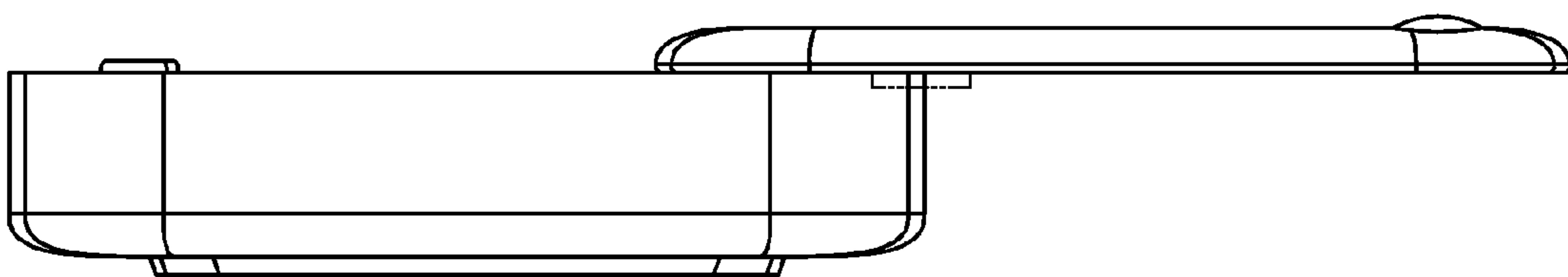
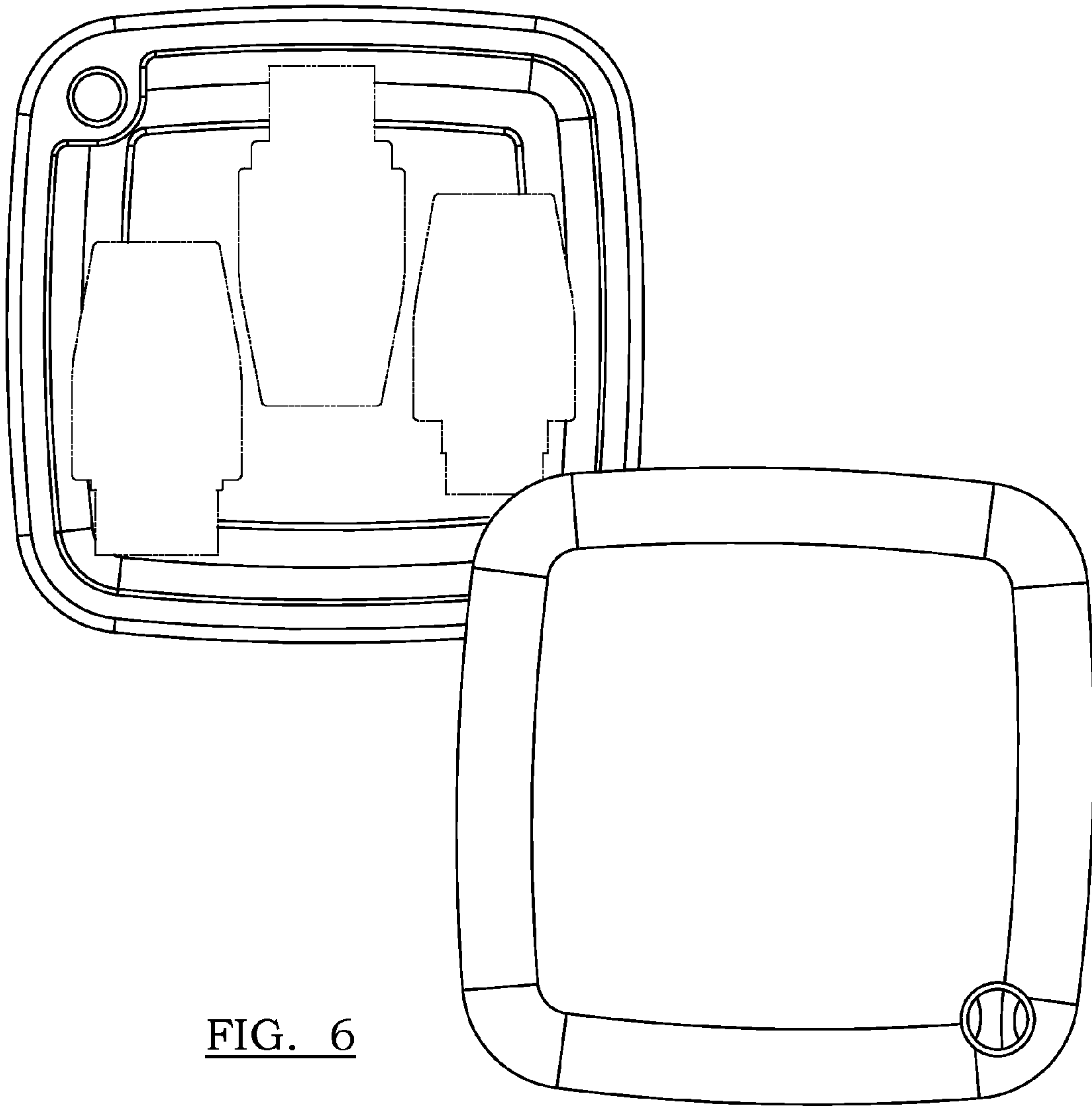


FIG. 5



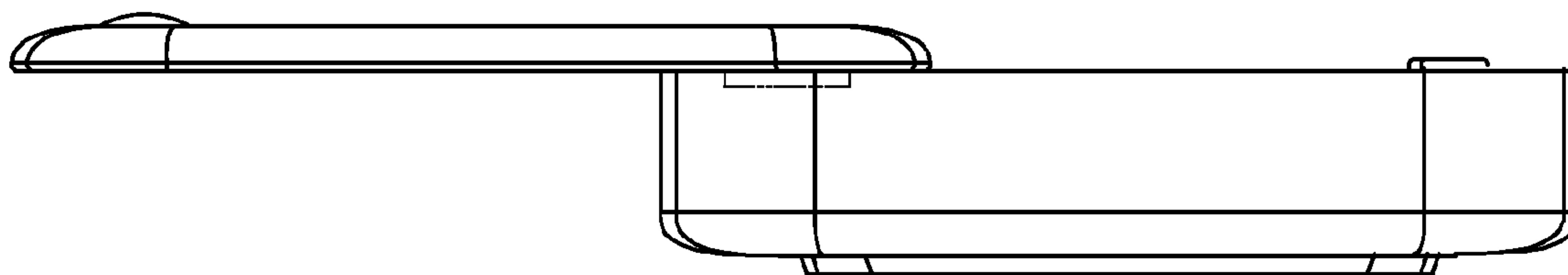


FIG. 8

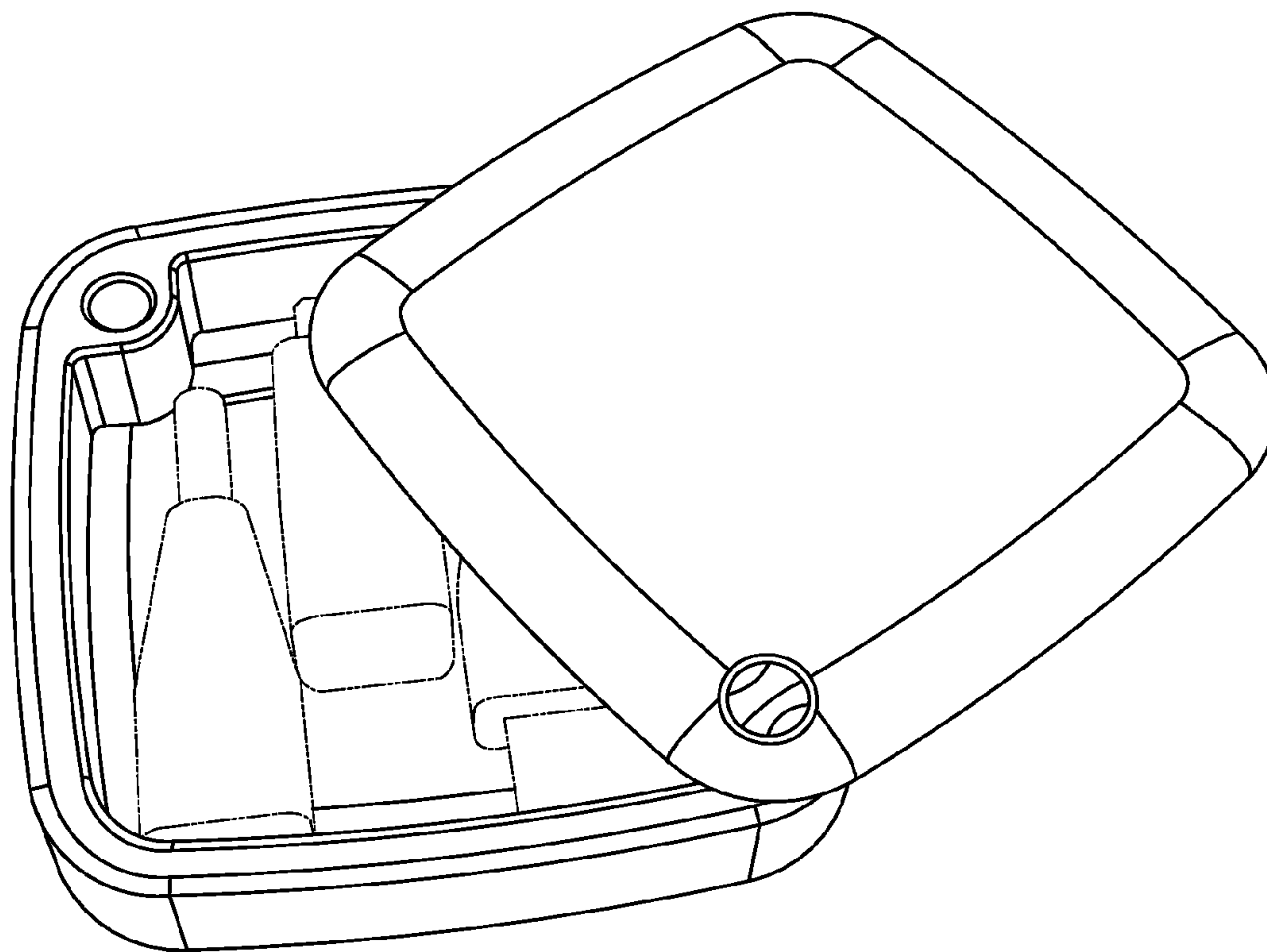


FIG. 9

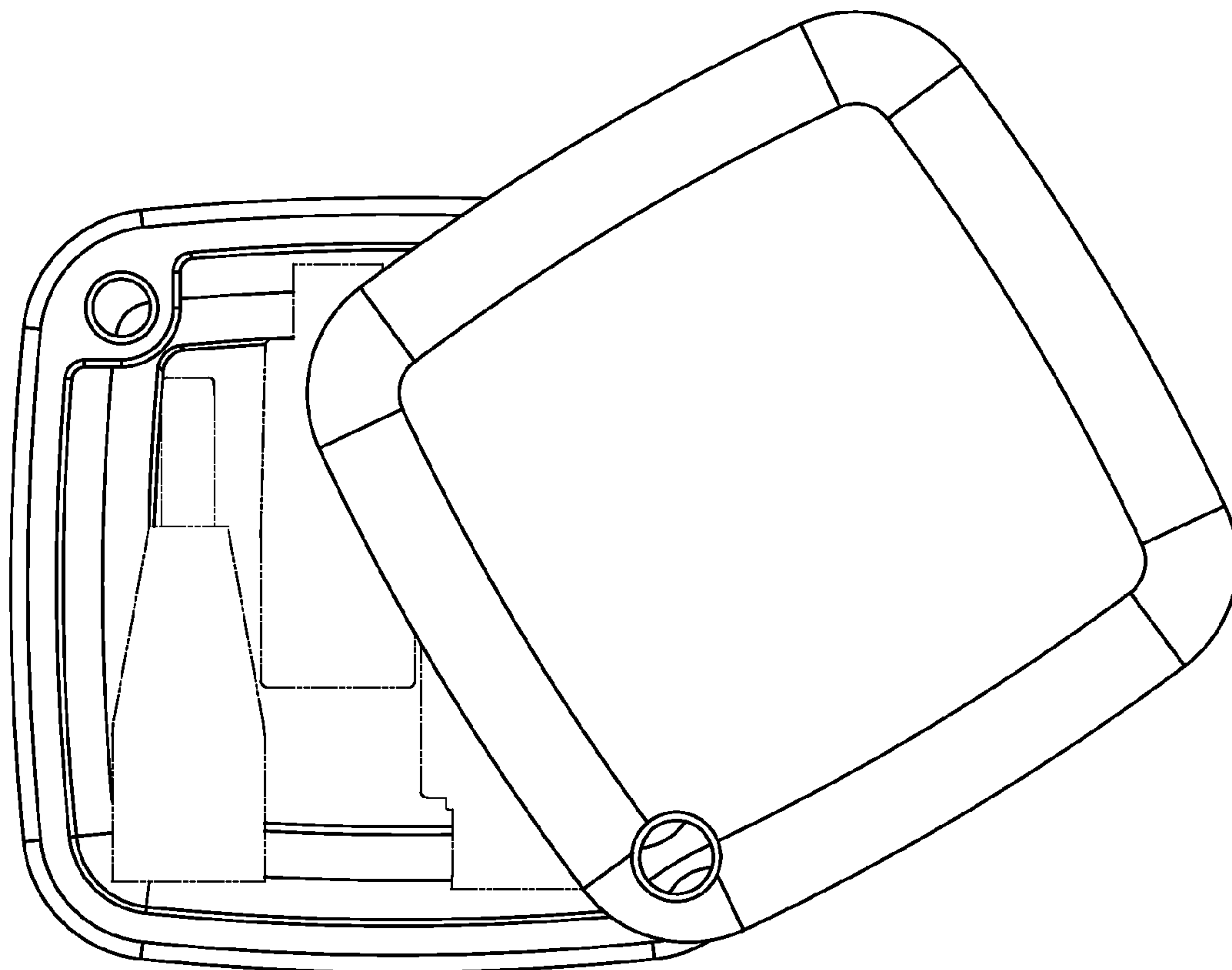


FIG. 10

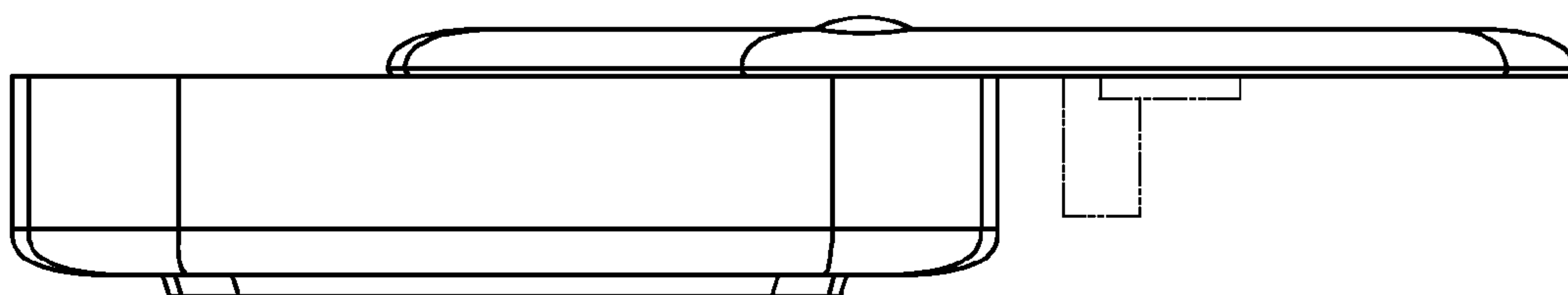


FIG. 11

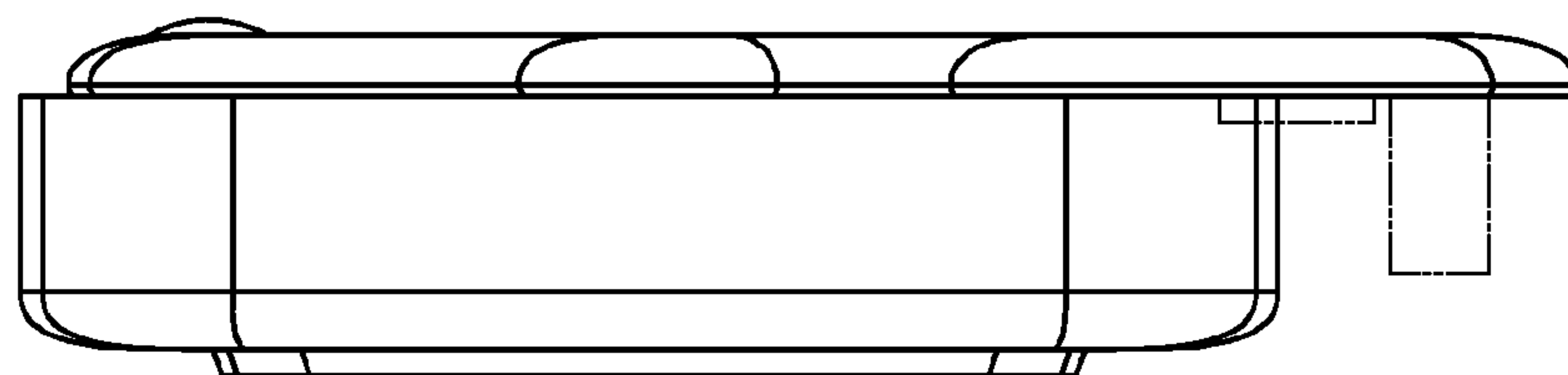


FIG. 12