



US00D624315S

(12) **United States Design Patent**
Amatrudo

(10) **Patent No.:** **US D624,315 S**

(45) **Date of Patent:** **** Sep. 28, 2010**

(54) **BLOW-MOLDED CASE**

(75) Inventor: **Andrew G. Amatrudo**, North Branford,
CT (US)

(73) Assignee: **The Plastic Forming Company, Inc.**,
Woodbridge, CT (US)

(**) Term: **14 Years**

(21) Appl. No.: **29/354,353**

(22) Filed: **Jan. 22, 2010**

(51) **LOC (9) Cl.** **03-01**

(52) **U.S. Cl.** **D3/276**

(58) **Field of Classification Search** D3/273,
D3/276, 281, 278, 282, 294, 268, 900, 901;
206/349, 272, 373, 503, 506; 190/220, 111,
190/112, 100, 900

See application file for complete search history.

(56) **References Cited**

U.S. PATENT DOCUMENTS

3,933,381 A	1/1976	Schurman	
D242,879 S	12/1976	Schurman	
4,005,800 A	2/1977	Schurman	
4,611,713 A *	9/1986	Byrns	206/349
D332,699 S	1/1993	Schurman	
D333,727 S	3/1993	Schurman	
D369,240 S *	4/1996	Newby, Sr.	D3/268
D406,192 S	3/1999	Schurman	
D413,440 S	9/1999	Schurman	

6,070,754 A *	6/2000	Newby, Sr.	220/675
6,083,579 A	7/2000	Schurman	
6,102,455 A	8/2000	Schurman	
D487,970 S *	4/2004	Meier et al.	D3/281
D516,311 S *	3/2006	Lai	D3/282
D520,237 S *	5/2006	Cheng	D3/276
D523,242 S *	6/2006	Hardigg et al.	D3/276
D542,530 S *	5/2007	Harris et al.	D3/276

* cited by examiner

Primary Examiner—Prabhakar Deshmukh

(74) *Attorney, Agent, or Firm*—St. Onge Steward Johnston &
Reens LLC

(57) **CLAIM**

The ornamental design for a blow-molded case, as shown and described.

DESCRIPTION

FIG. 1 is a top perspective view of a blow-molded case in accordance with the new design;

FIG. 2 is a front elevation view thereof;

FIG. 3 is a left side elevation view, the right side elevation view being a mirror image thereof;

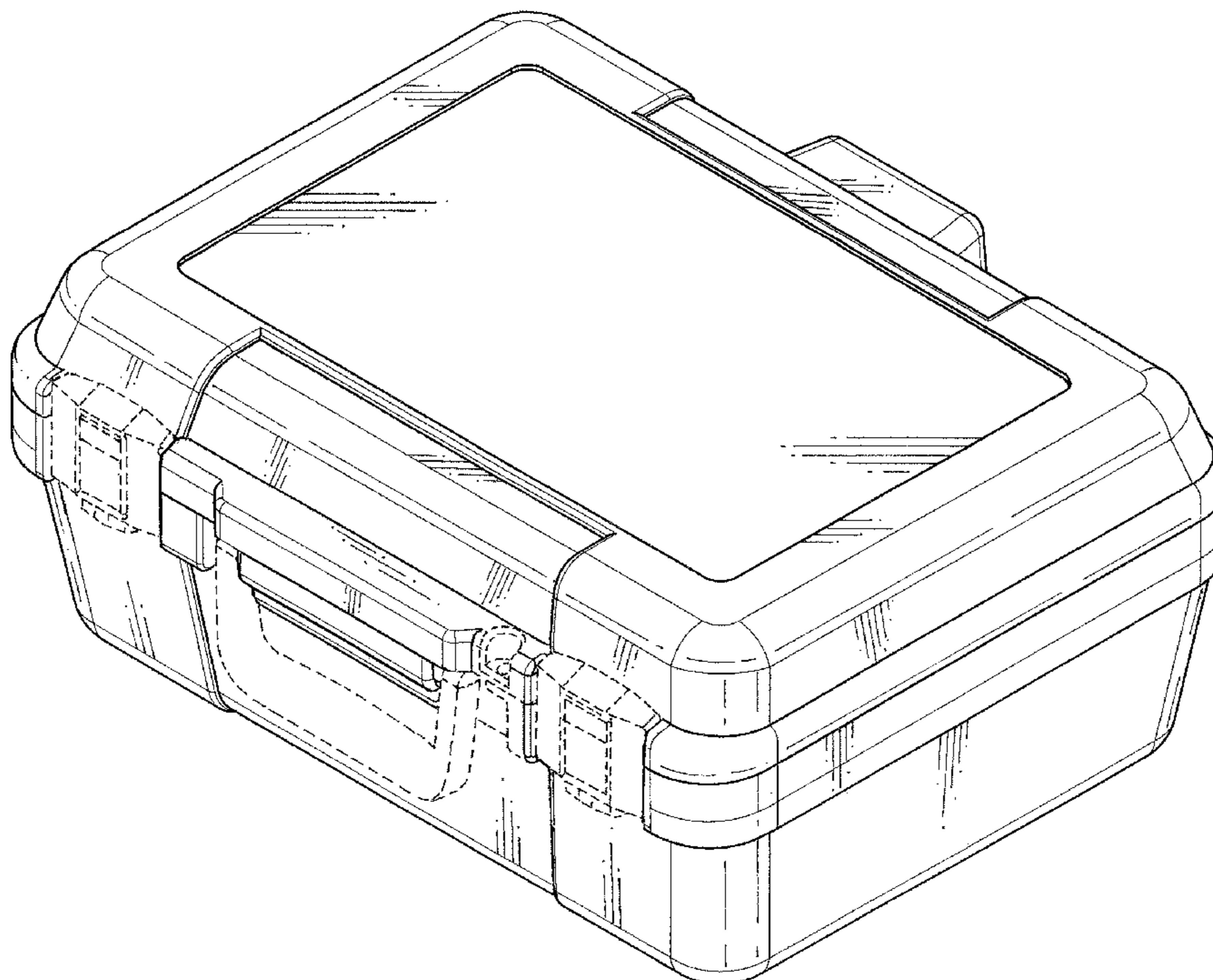
FIG. 4 is a top elevation view thereof;

FIG. 5 is a bottom elevation view thereof; and,

FIG. 6 is a rear elevation view thereof.

The broken line showing in FIGS. 1-5 is for illustration purpose only and forms no part of the claimed design.

1 Claim, 6 Drawing Sheets



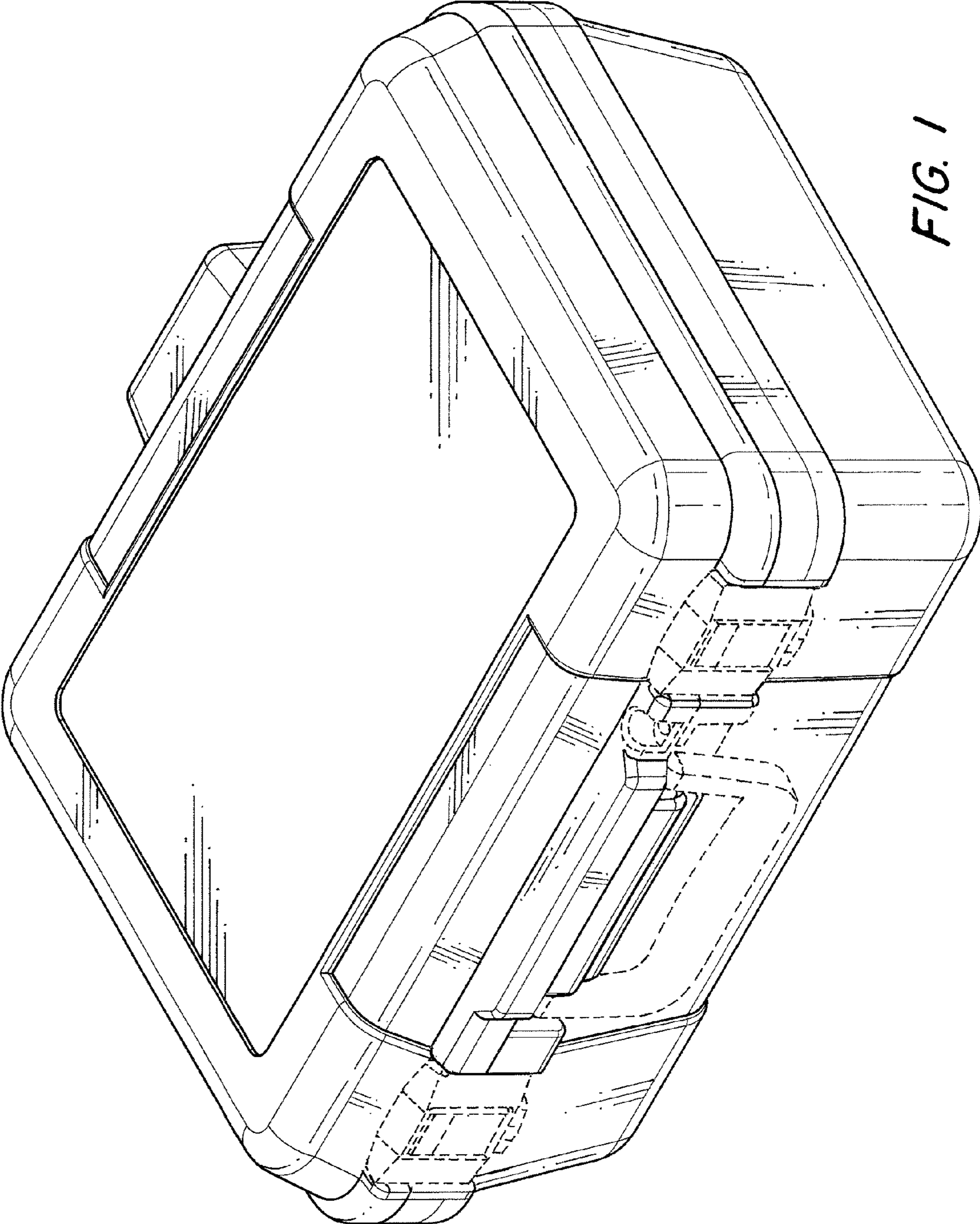


FIG. 1

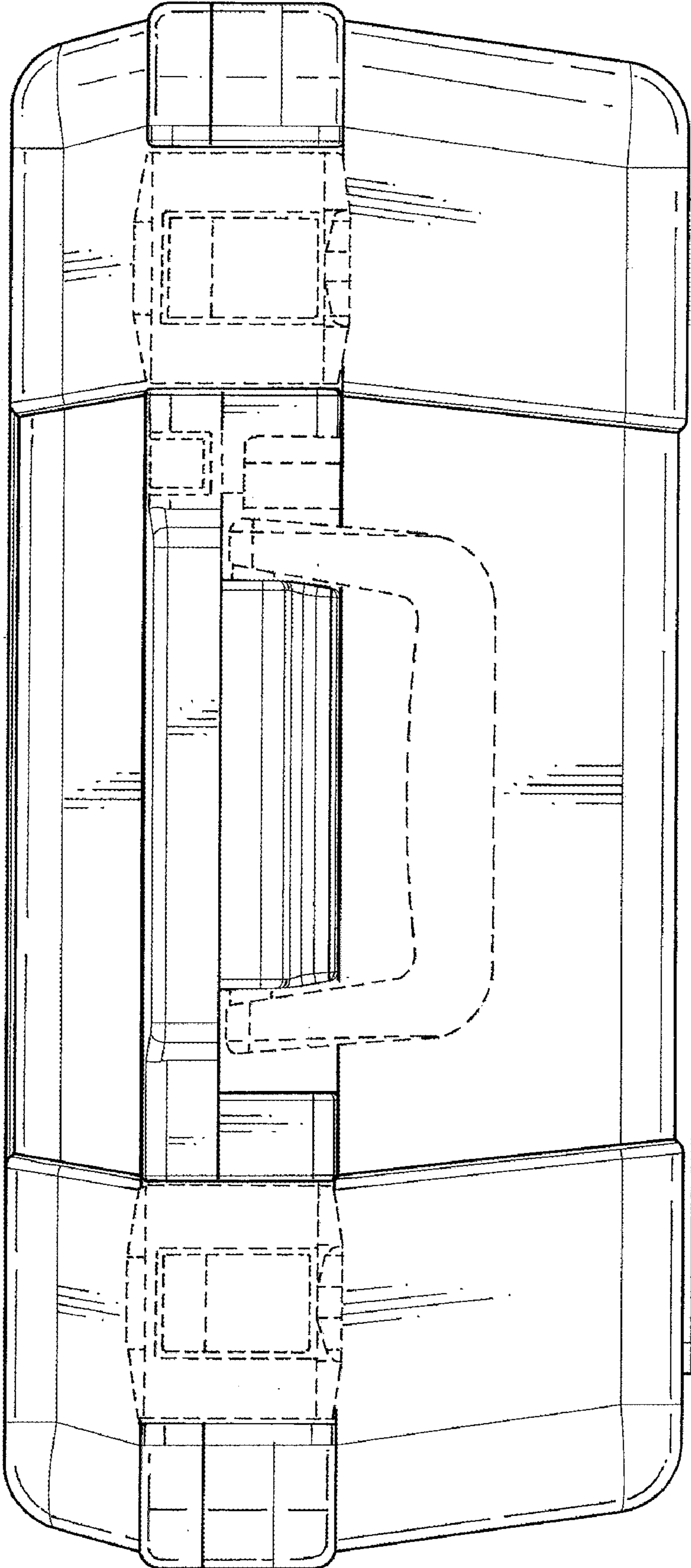


FIG. 2

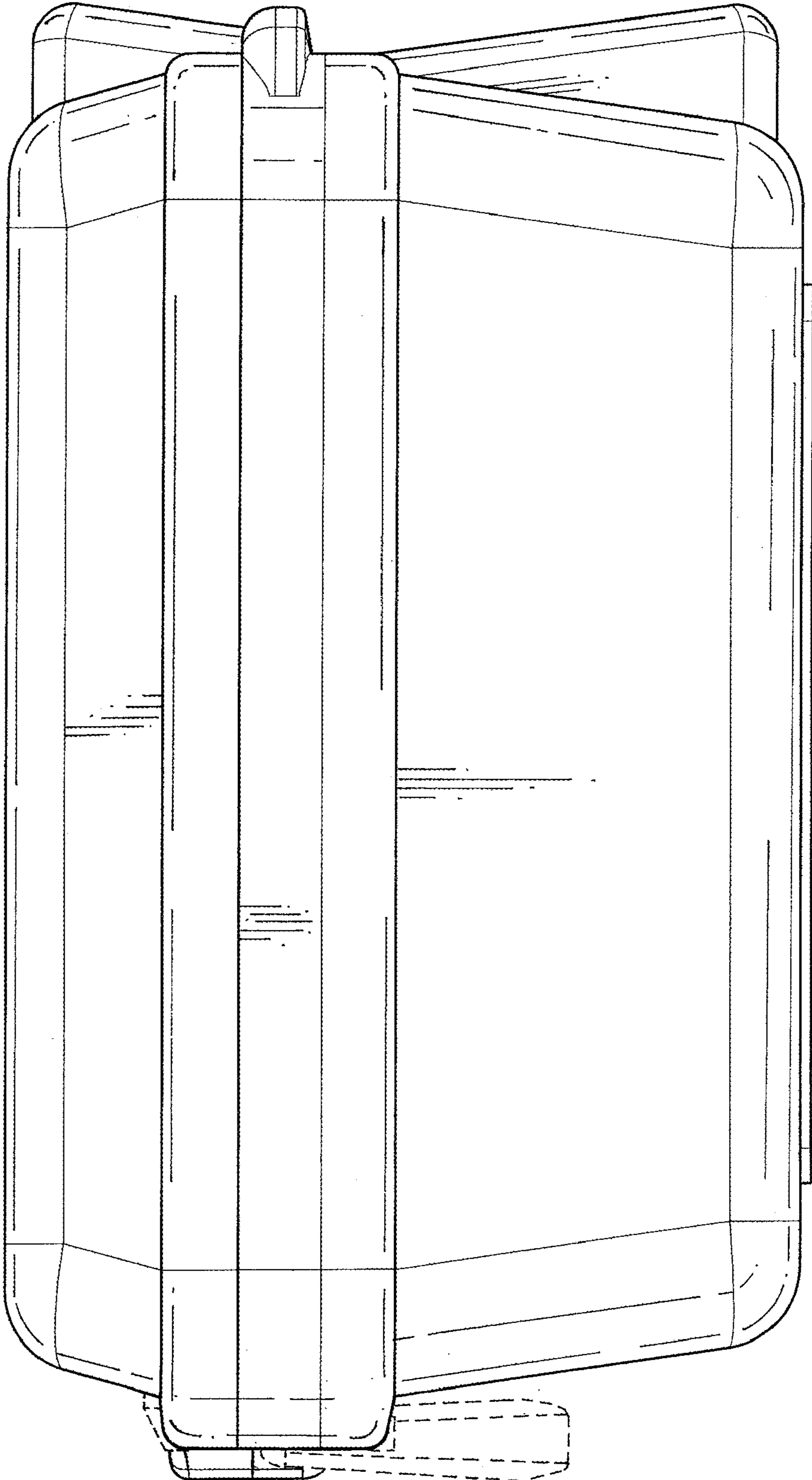


FIG. 3

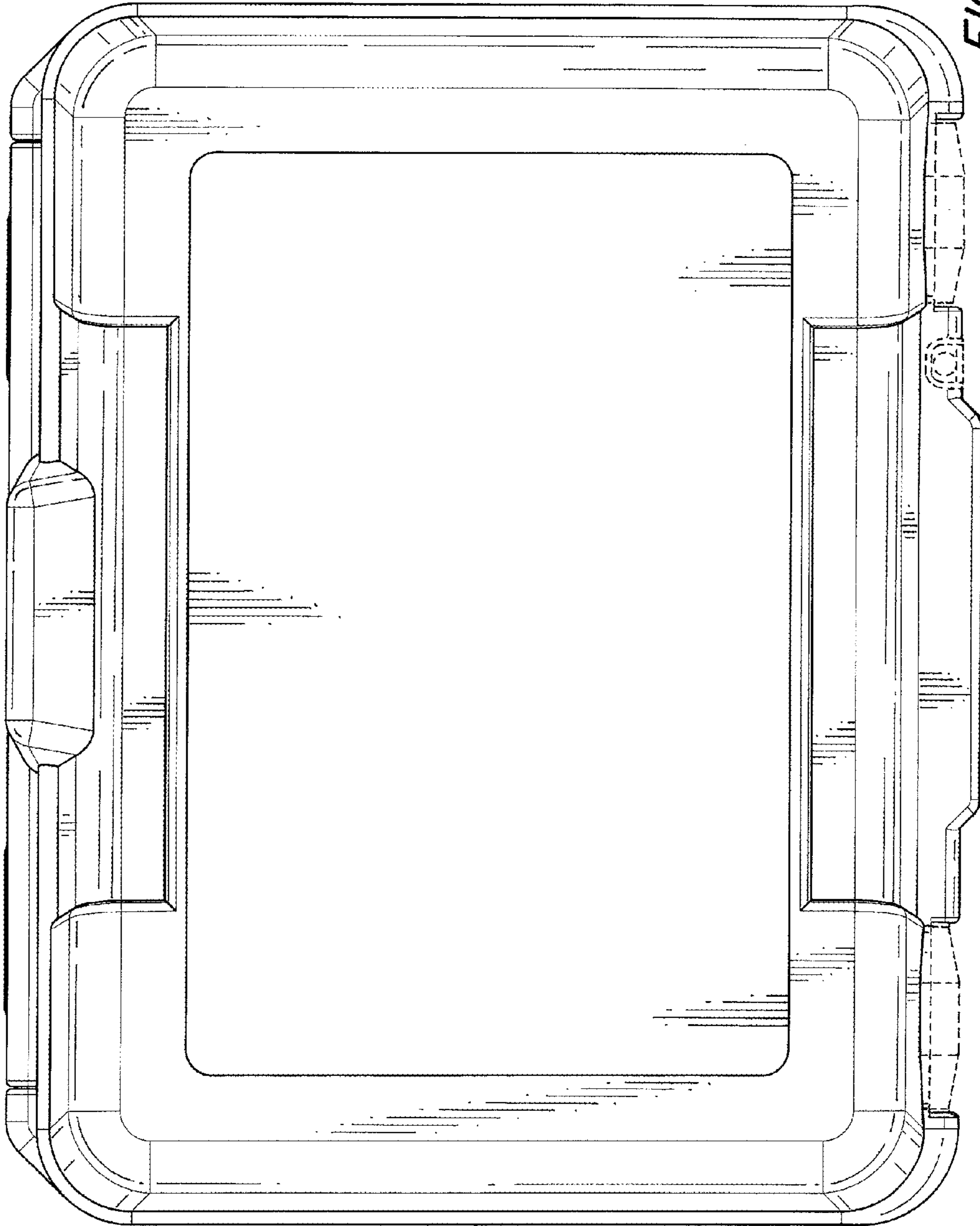


FIG. 4

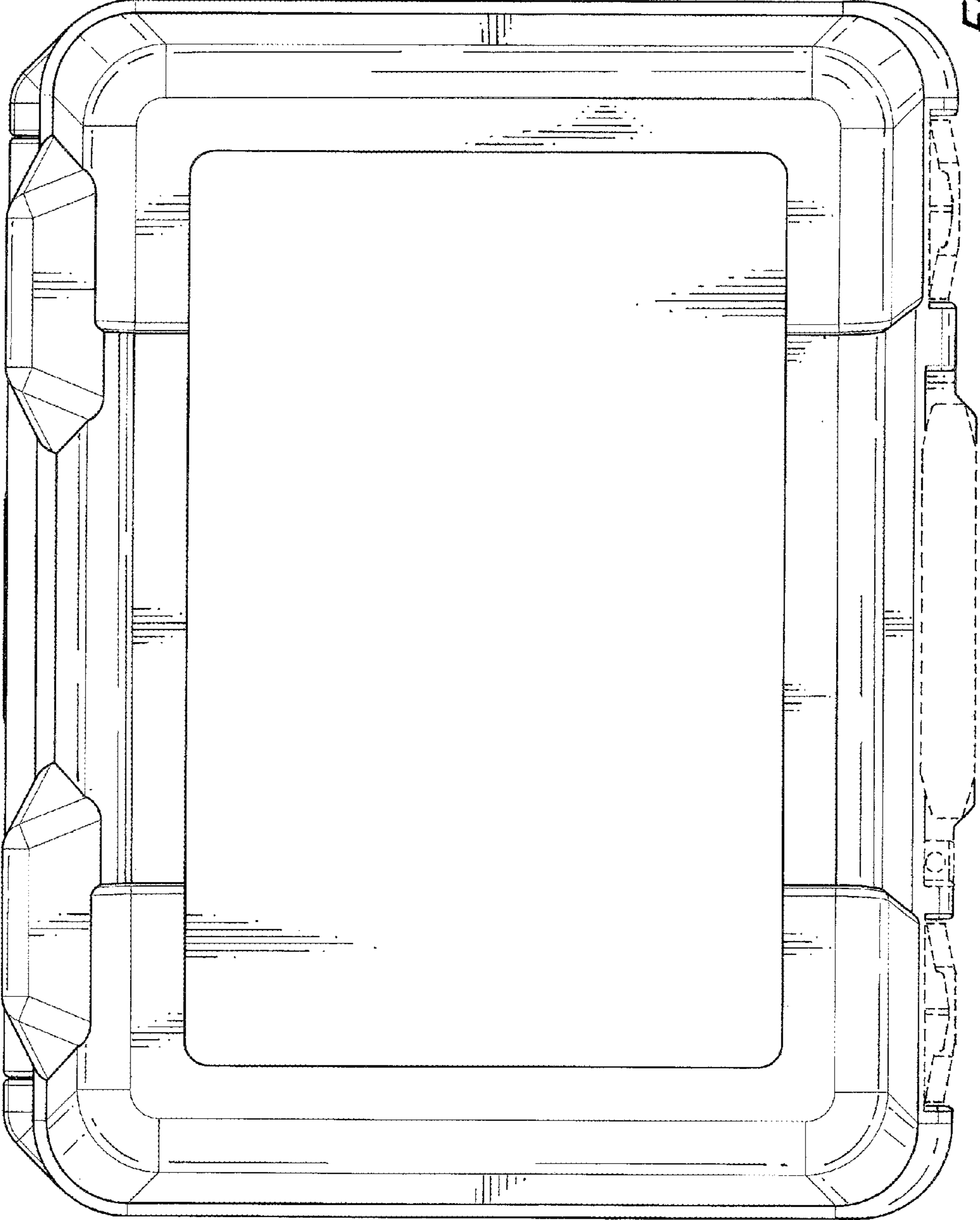


FIG. 5

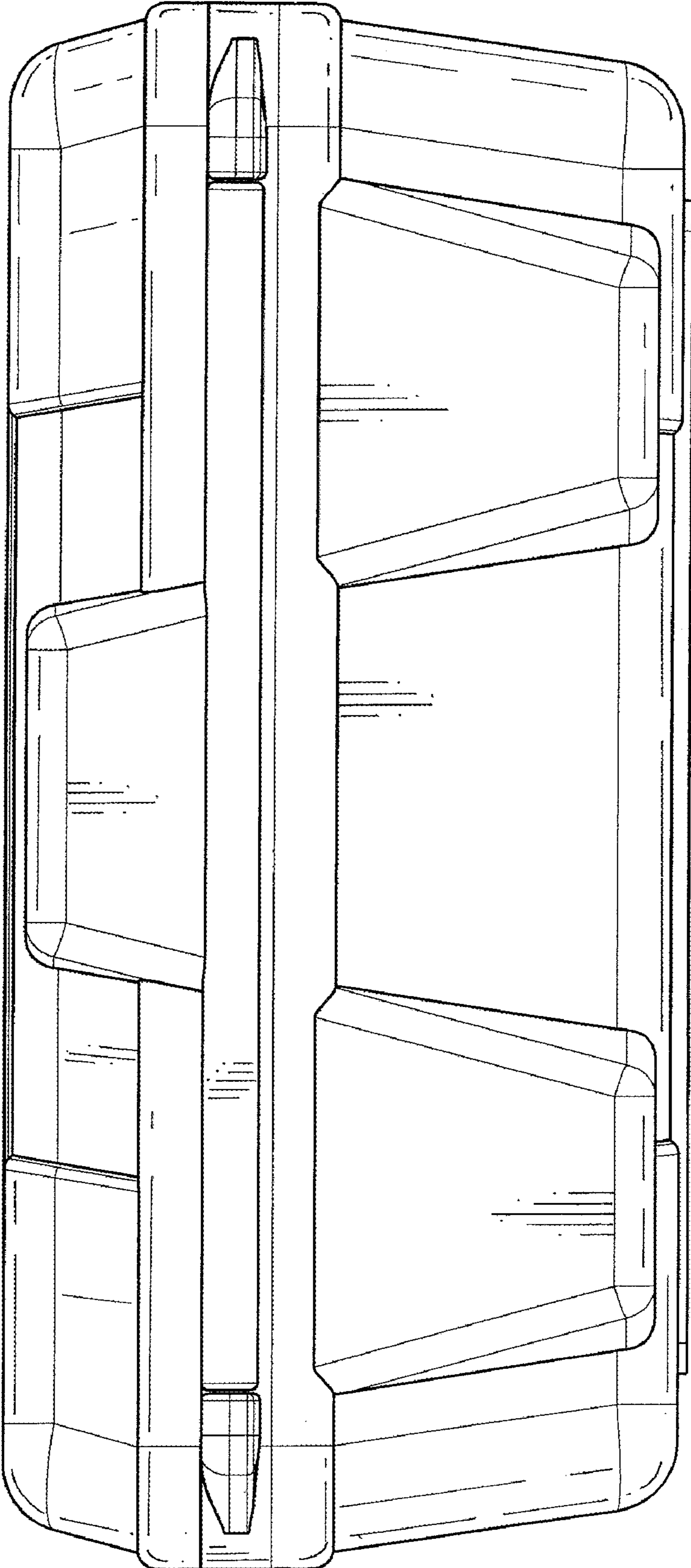


FIG. 6