



US00D624314S

(12) **United States Design Patent**
Baptiste et al.

(10) **Patent No.:** **US D624,314 S**
(45) **Date of Patent:** **** Sep. 28, 2010**

(54) **SELF-STORING CARRY BAG FOR POSTERS**

(76) Inventors: **Carolyn Baptiste**, 1310 Market St., Apt #F-1, Pascagoula, MS (US) 39581;
Mary A. Maner, 5017 Wedgewood Cir., Orlando, FL (US) 32808

(**) Term: **14 Years**

(21) Appl. No.: **29/316,045**

(22) Filed: **Feb. 16, 2009**

Related U.S. Application Data

(62) Division of application No. 29/248,975, filed on Sep. 13, 2006, now Pat. No. Des. 586,554.

(51) **LOC (9) Cl.** **03-01**

(52) **U.S. Cl.** **D3/276; D3/287; D3/299**

(58) **Field of Classification Search** D3/232–233,
D3/245–246, 259, 273–274, 276, 286–284,
D3/287, 289, 299, 315, 900, 902; 190/1,
190/8, 107; 224/575; 383/4
See application file for complete search history.

(56) **References Cited**

U.S. PATENT DOCUMENTS

1,426,485	A *	8/1922	La Roche	383/2
1,521,897	A *	1/1925	Martin	383/20
2,058,474	A *	10/1936	Long	2/85
3,340,969	A *	9/1967	Rothberg	190/1
4,180,114	A *	12/1979	Katz	224/153
4,188,988	A *	2/1980	Agyagos	383/4
4,372,073	A *	2/1983	Goldman	43/57.1
D269,923	S *	8/1983	Carrier et al.	D3/290
D271,266	S *	11/1983	Thom	D6/595
D313,315	S *	1/1991	Prat	D3/289
D314,084	S *	1/1991	Azadmard	D3/315
5,018,609	A *	5/1991	Brenner	190/108
5,131,513	A *	7/1992	Gossage	190/107
5,161,656	A *	11/1992	Brenner	190/111

(Continued)

OTHER PUBLICATIONS

Fabric Carrying Case for Table Throws. Downloaded Sep. 28, 2007 at www.siegeldisplay.com/productdetail.aspx?id=cs538-55112.*

(Continued)

Primary Examiner—Philip S Hyder

Assistant Examiner—Roselynn H Ulm Cody

(74) *Attorney, Agent, or Firm*—Allen, Dyer, Doppelt, Milbrath & Gilchrist, P.A.

(57) **CLAIM**

The ornamental design for a self-storing carry bag for posters, as shown and described.

DESCRIPTION

FIG. 1 is a front perspective view of an embodiment of a self-storing carry bag for posters showing our new design in a self-stored condition;

FIG. 2 is a first side elevation view thereof;

FIG. 3 is a second and opposite side elevation view thereof;

FIG. 4 is a front elevation view thereof;

FIG. 5 is a rear elevation view thereof;

FIG. 6 is a top plan view thereof;

FIG. 7 is a bottom plan view thereof;

FIG. 8 is a front elevation view of the self-storing carry bag for posters showing our new design in open condition;

FIG. 9 is a first side elevation view thereof;

FIG. 10 is a bottom plan view thereof;

FIG. 11 is a rear elevation view thereof;

FIG. 12 is a second and opposite side elevation view thereof;

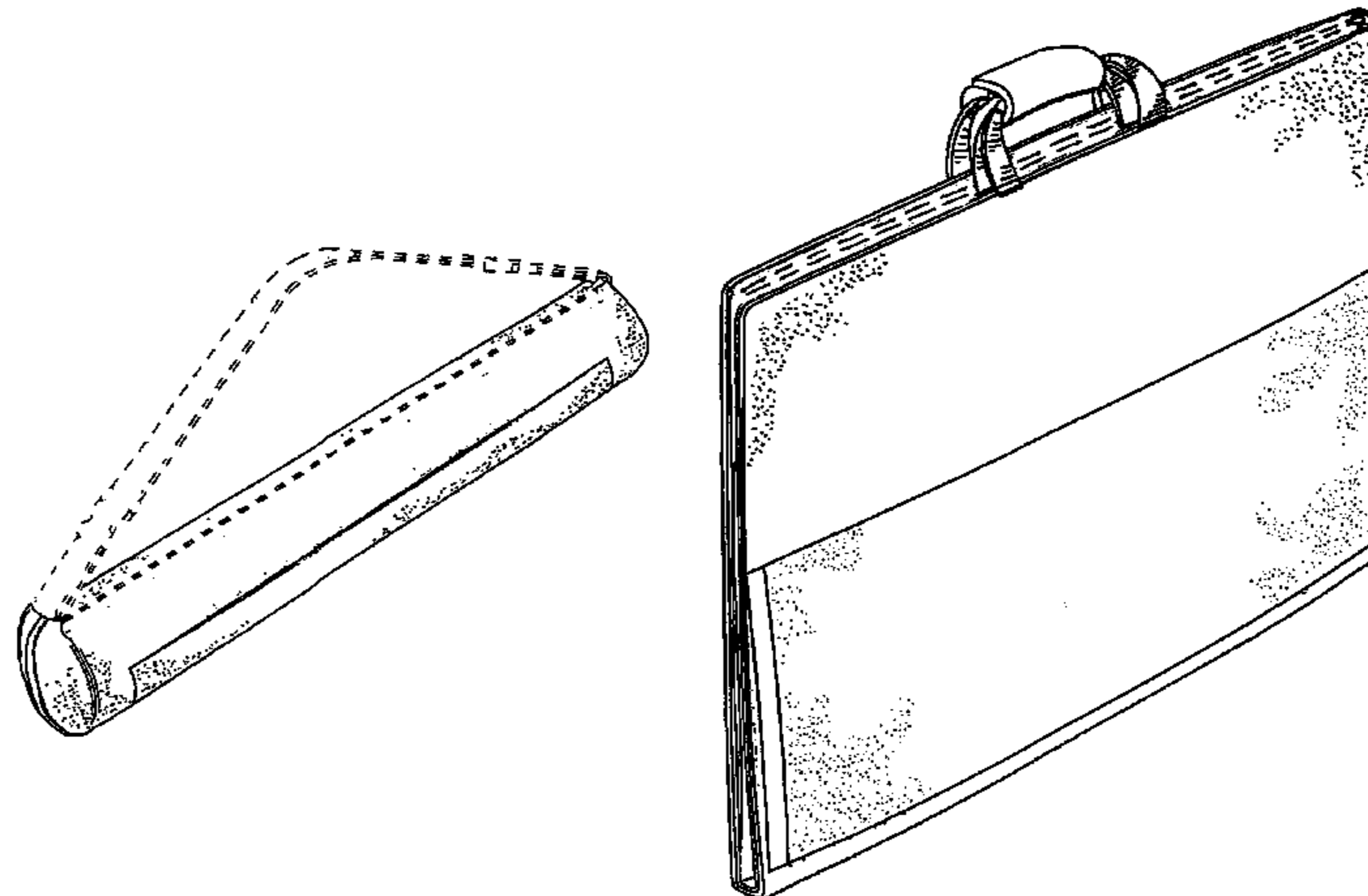
FIG. 13 is a top plan view thereof;

FIG. 14 is a front perspective view of the self-storing carry bag for posters showing our new design in a folded condition; and,

FIG. 15 is a rear perspective view thereof.

The broken lines in the drawings illustrate aspects of the design that form no part of the claim.

1 Claim, 7 Drawing Sheets



US D624,314 S

Page 2

U.S. PATENT DOCUMENTS

D366,958 S * 2/1996 Harr D3/259
D378,024 S * 2/1997 Tucker D3/315
D386,002 S * 11/1997 Hinkle D3/203.6
5,730,529 A * 3/1998 Fritz et al. 383/4
D395,751 S * 7/1998 Dominique D3/233
D409,382 S * 5/1999 Erlanson D3/233
D410,144 S * 5/1999 Kay D3/233
6,053,634 A * 4/2000 Kay 383/4
D478,455 S * 8/2003 Papazian D6/608
D603,165 S * 11/2009 Losiewicz D3/299

2005/0082130 A1* 4/2005 McGrath 190/26

OTHER PUBLICATIONS

Skyroll. Downloaded Nov. 9, 2007 at http://images.google.com/imgres?imgurl=http://ftper.newsusa.com/Thumbnail/luggage_192B.jpg&imgref=...*
Poster Storage Carrying Bag. Downloaded Nov. 9, 2007 at <http://www.1st-quality-school-supplies.com/ler-1950.html?z-man=5908402&zmas=...>*

* cited by examiner

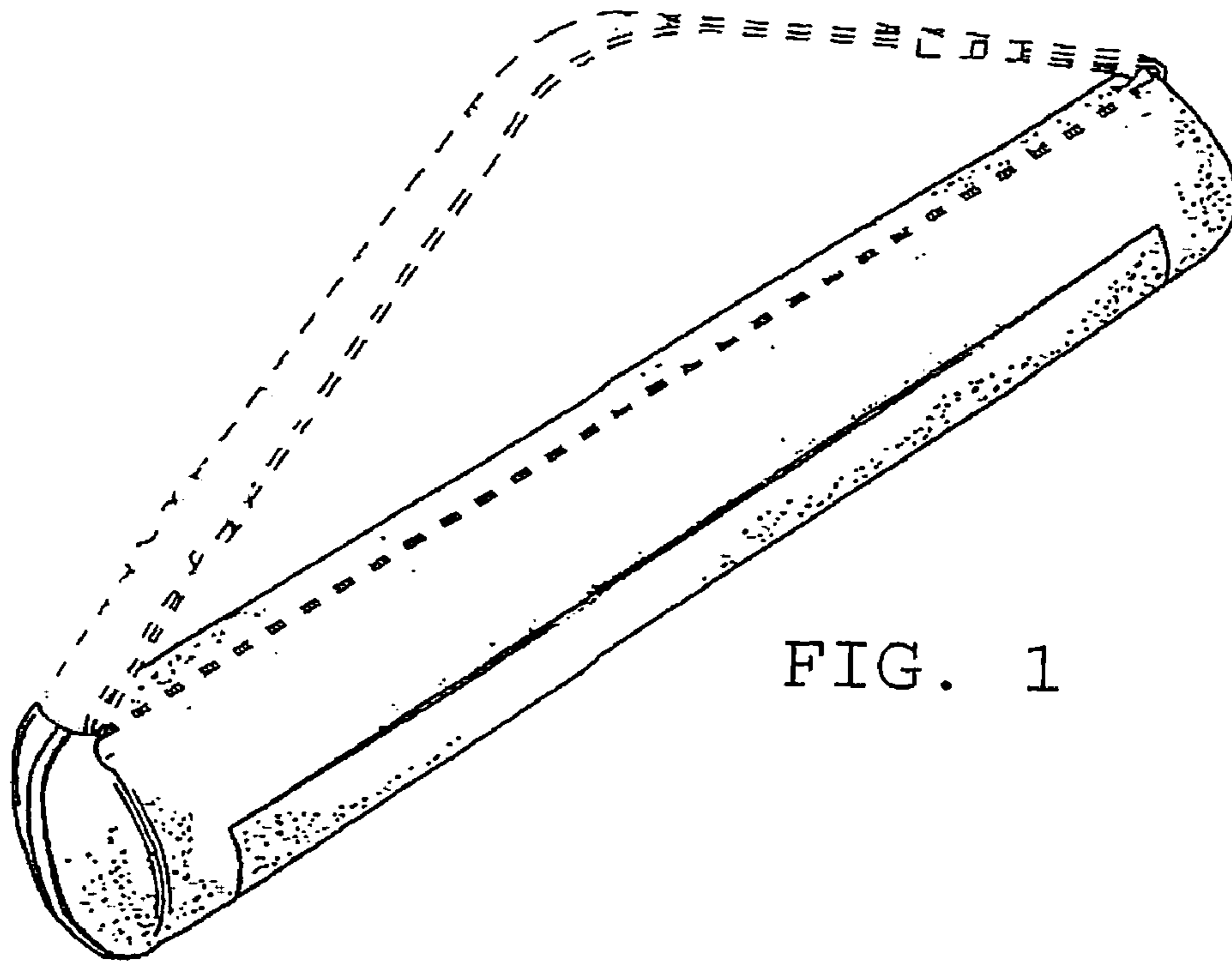


FIG. 1

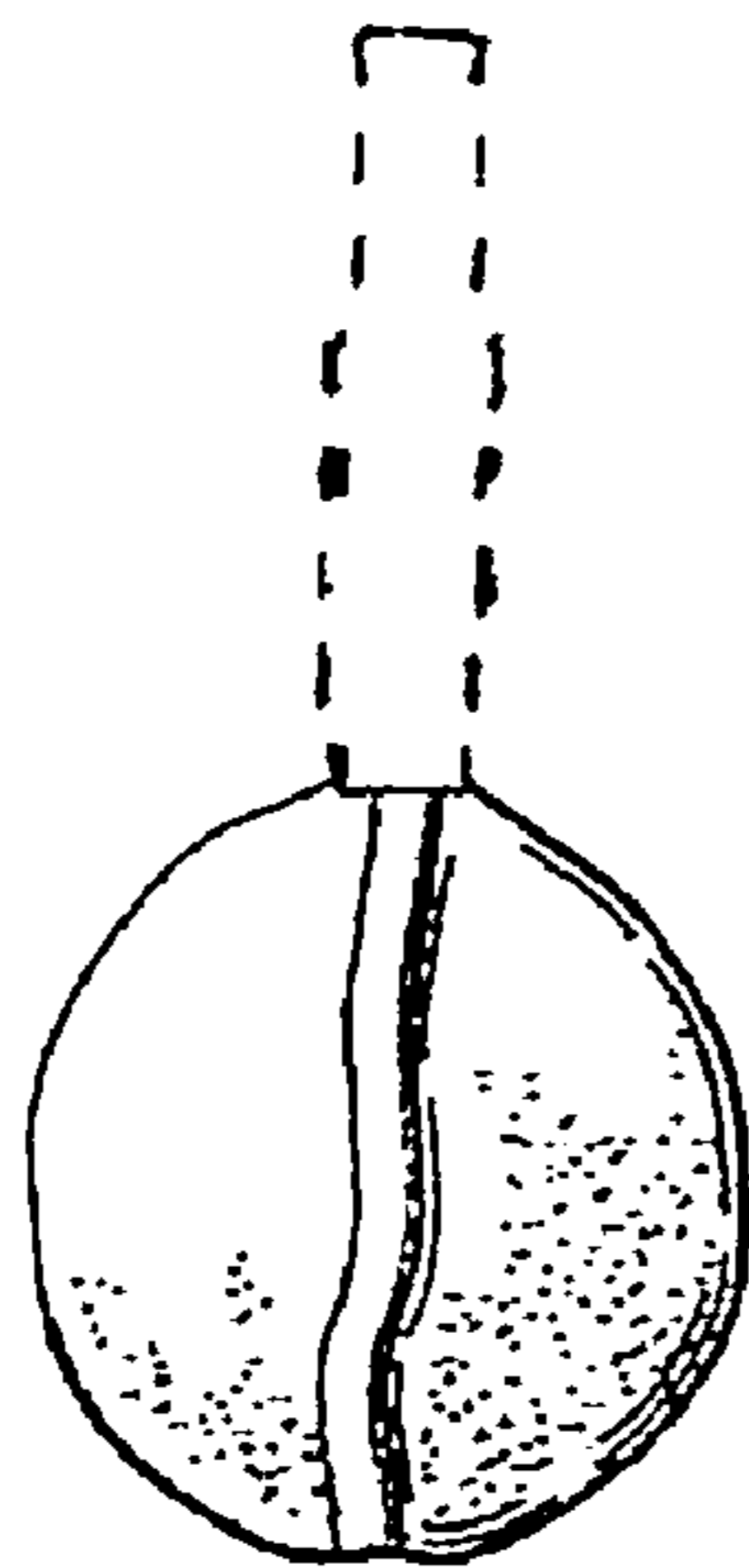


FIG. 2

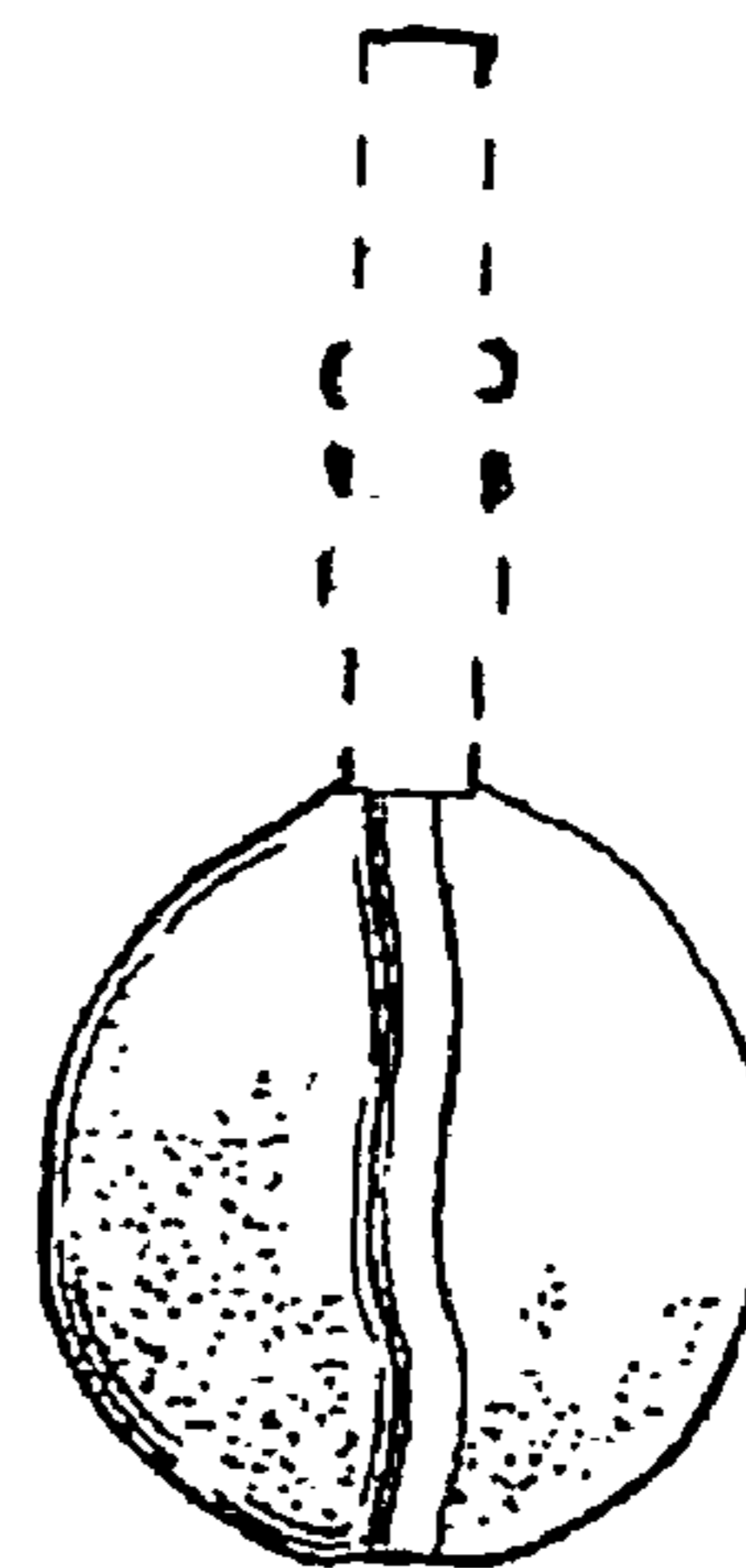


FIG. 3

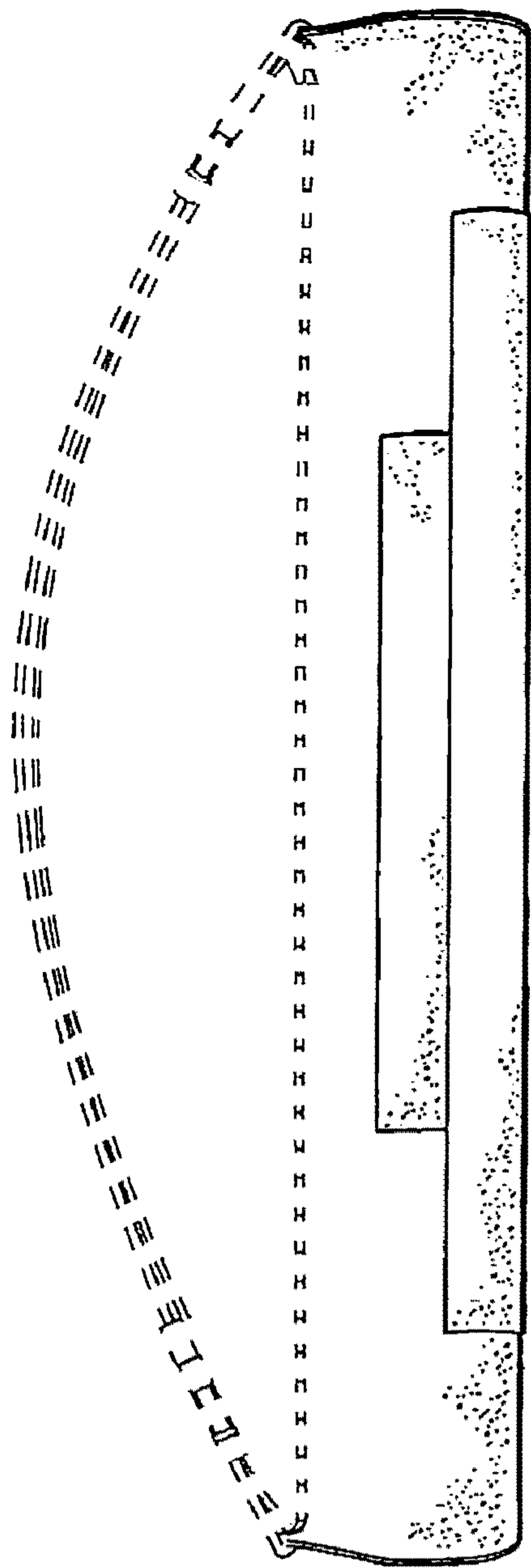


FIG. 4

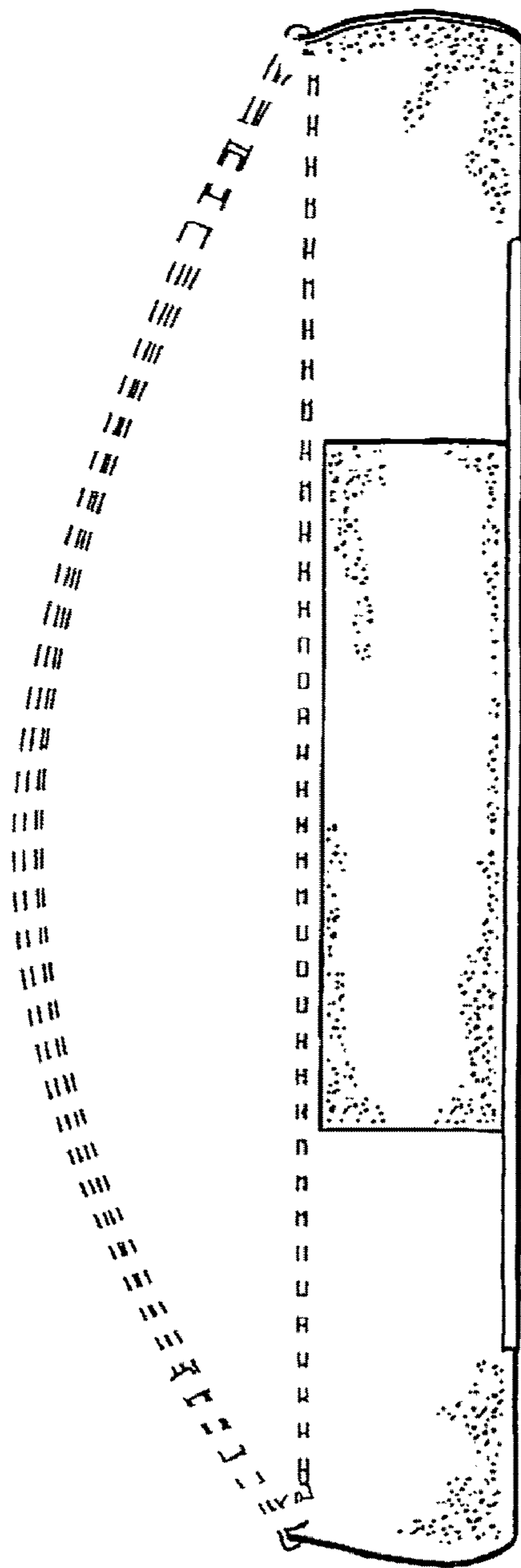


FIG. 5

FIG. 6

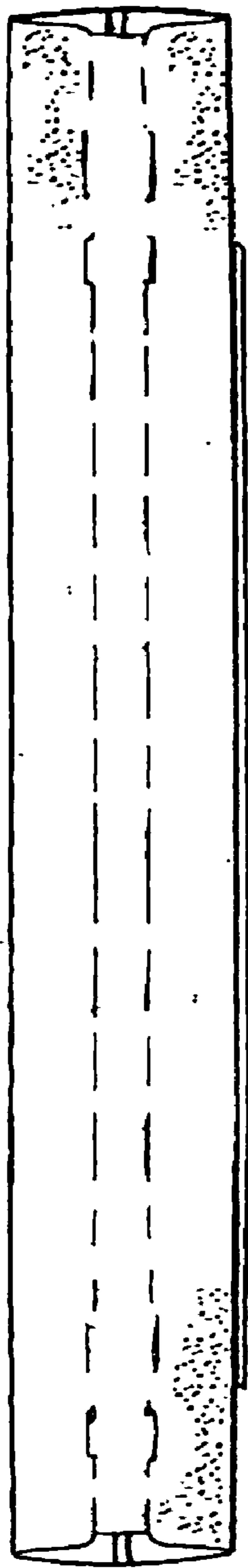
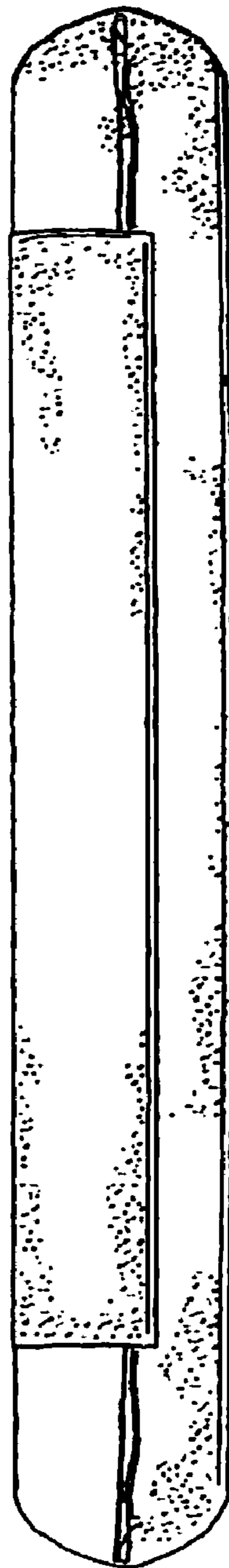


FIG. 7



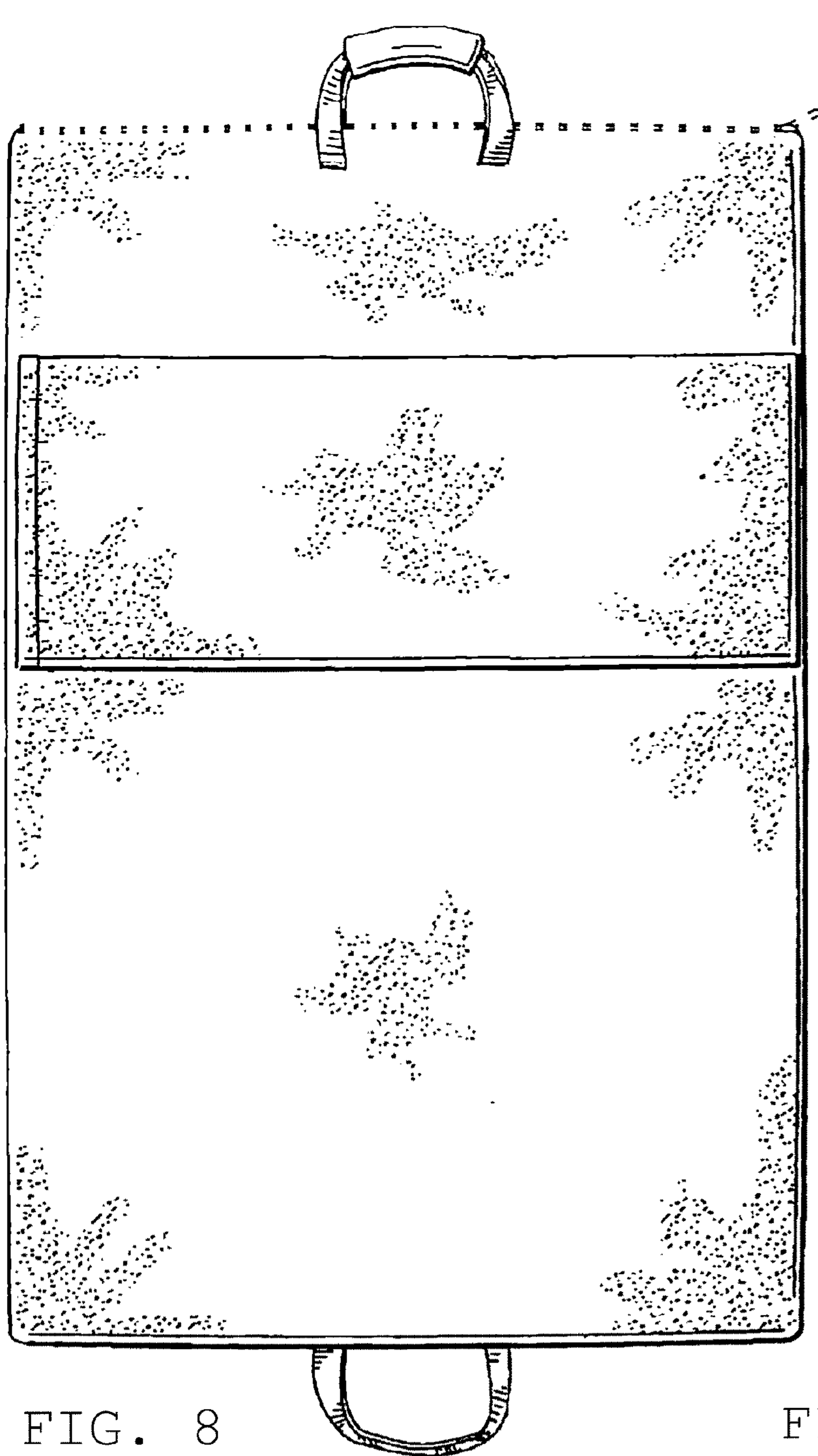


FIG. 10

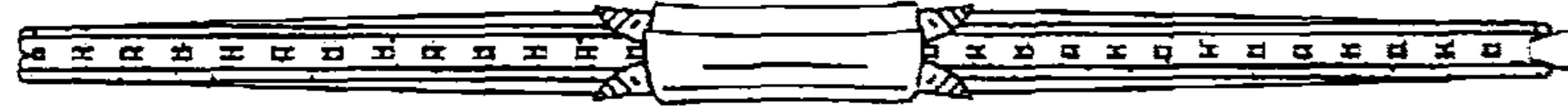


FIG. 13

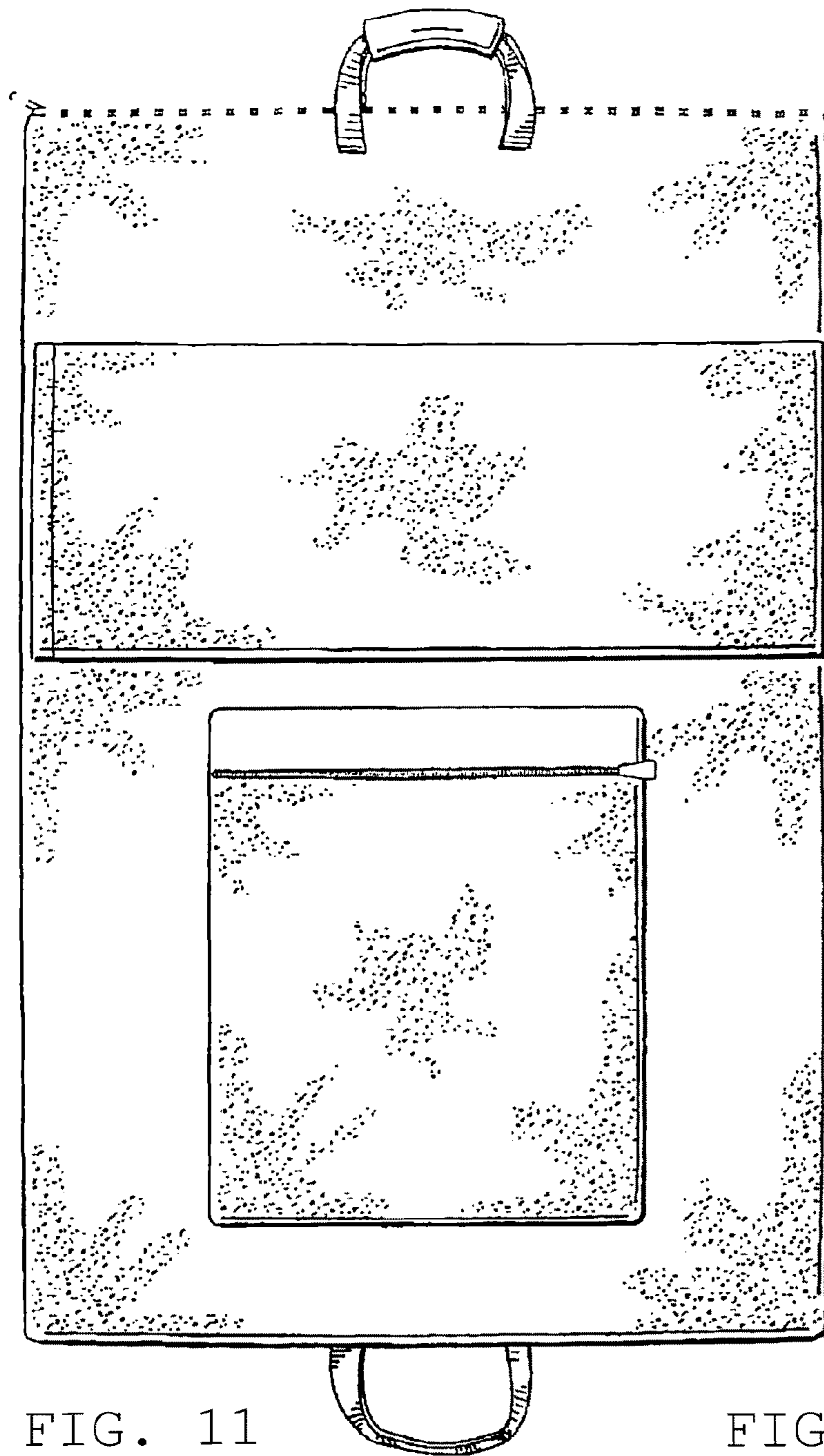


FIG. 11



FIG. 12

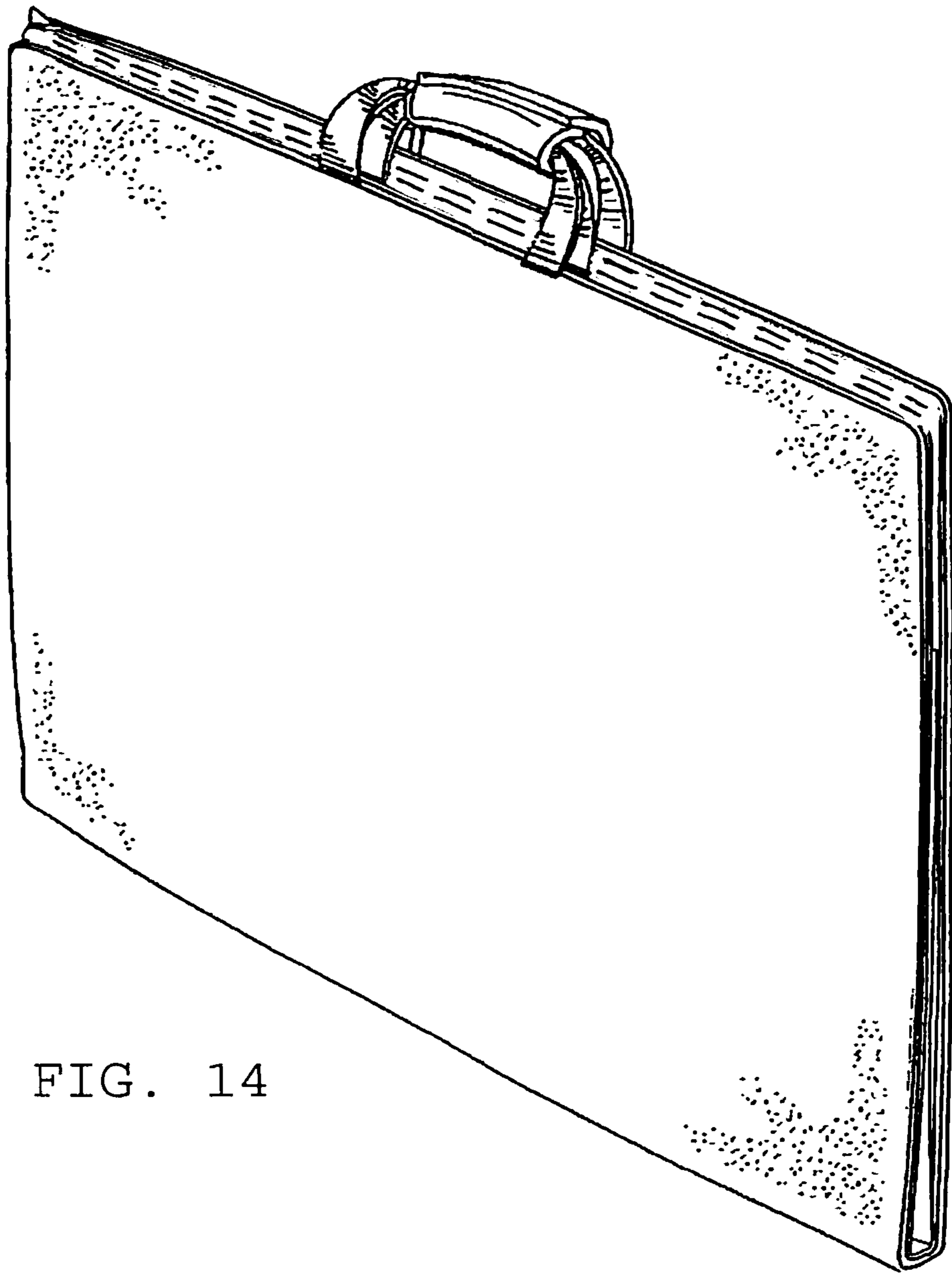


FIG. 14

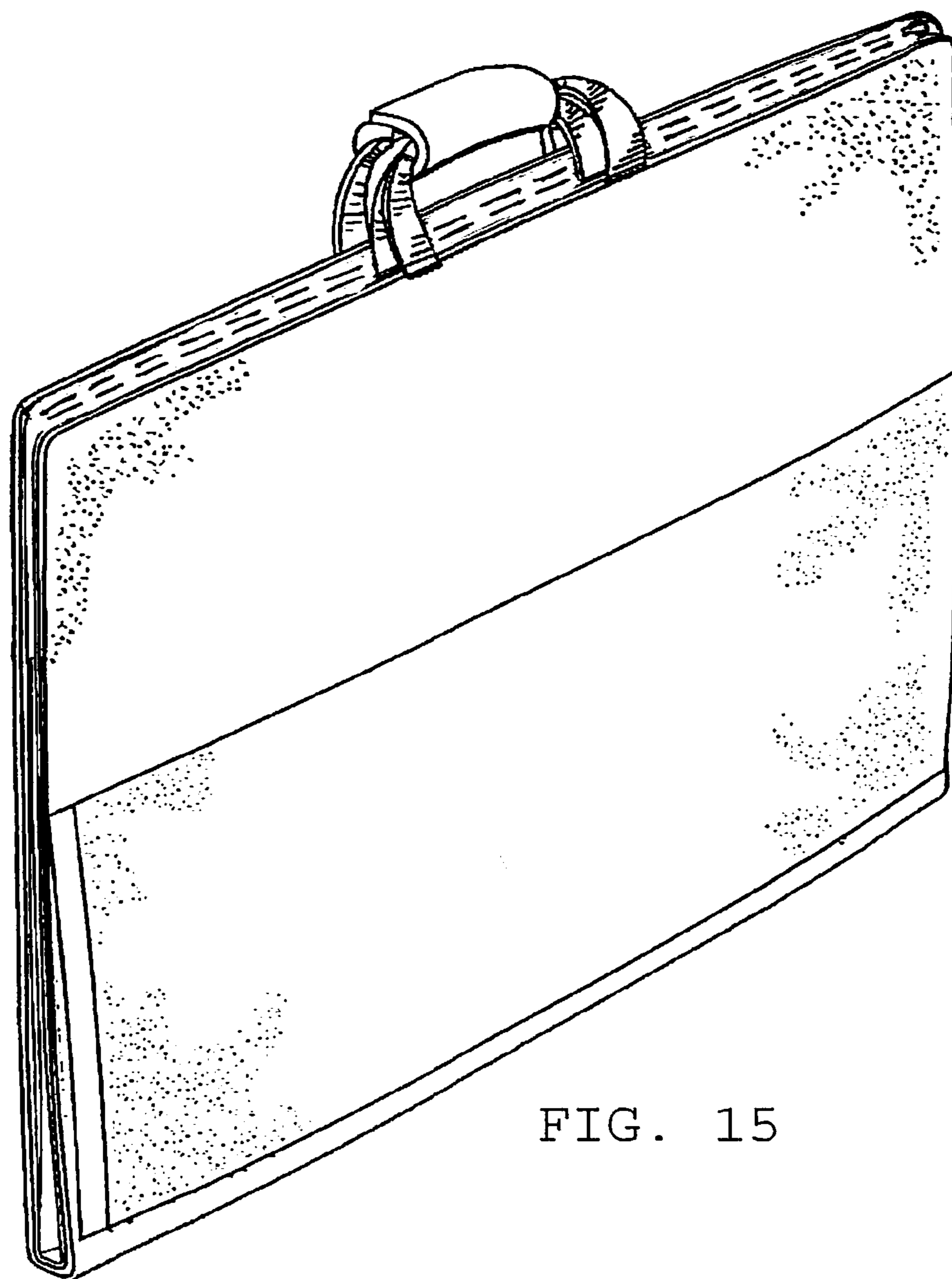


FIG. 15