



US00D624313S

(12) **United States Design Patent**  
**Mitchell**

(10) **Patent No.:** **US D624,313 S**

(45) **Date of Patent:** **\*\* Sep. 28, 2010**

(54) **RACE CAR STYLE TOOL BOX FOR SOCKET SET**

D447,339 S \* 9/2001 Rosmon ..... D3/271.12

\* cited by examiner

(75) Inventor: **Marty Mitchell**, Lebanon, TN (US)

*Primary Examiner*—Prabhakar Deshmukh

(73) Assignee: **WorkHorse L.L.C.**, Lebanon, TN (US)

(74) *Attorney, Agent, or Firm*—Sturm & Fix LLP

(\*\*) Term: **14 Years**

(57) **CLAIM**

(21) Appl. No.: **29/338,594**

The ornamental design for a race car style tool box for socket set, as shown and described.

(22) Filed: **Jun. 15, 2009**

**DESCRIPTION**

**Related U.S. Application Data**

(63) Continuation-in-part of application No. 29/305,022, filed on Mar. 12, 2008, now abandoned.

FIG. 1 is a perspective view of the race car style tool box for socket set showing my new design;

(51) **LOC (9) Cl.** ..... **03-01**

(52) **U.S. Cl.** ..... **D3/271.12**

FIG. 2 is a perspective view thereof showing the lid of the tool box in the open position;

(58) **Field of Classification Search** ..... D3/201,  
D3/270, 271, 271.1, 271.12, 273, 905; D12/82,  
D12/83, 86, 93; 206/457, 223, 349, 271;  
446/75, 76, 465, 470

FIG. 3 is a left side elevational view thereof;

See application file for complete search history.

FIG. 4 is a right side elevational view thereof;

(56) **References Cited**

**U.S. PATENT DOCUMENTS**

4,753,346 A \* 6/1988 Tsuji ..... 206/371  
D369,023 S \* 4/1996 Cheng ..... D3/271.12  
D397,868 S \* 9/1998 Huang ..... D3/271.12  
D410,776 S \* 6/1999 Aganian ..... D3/271.12  
D414,810 S \* 10/1999 Kwok ..... D19/82  
D434,222 S \* 11/2000 Shih ..... D3/271.12

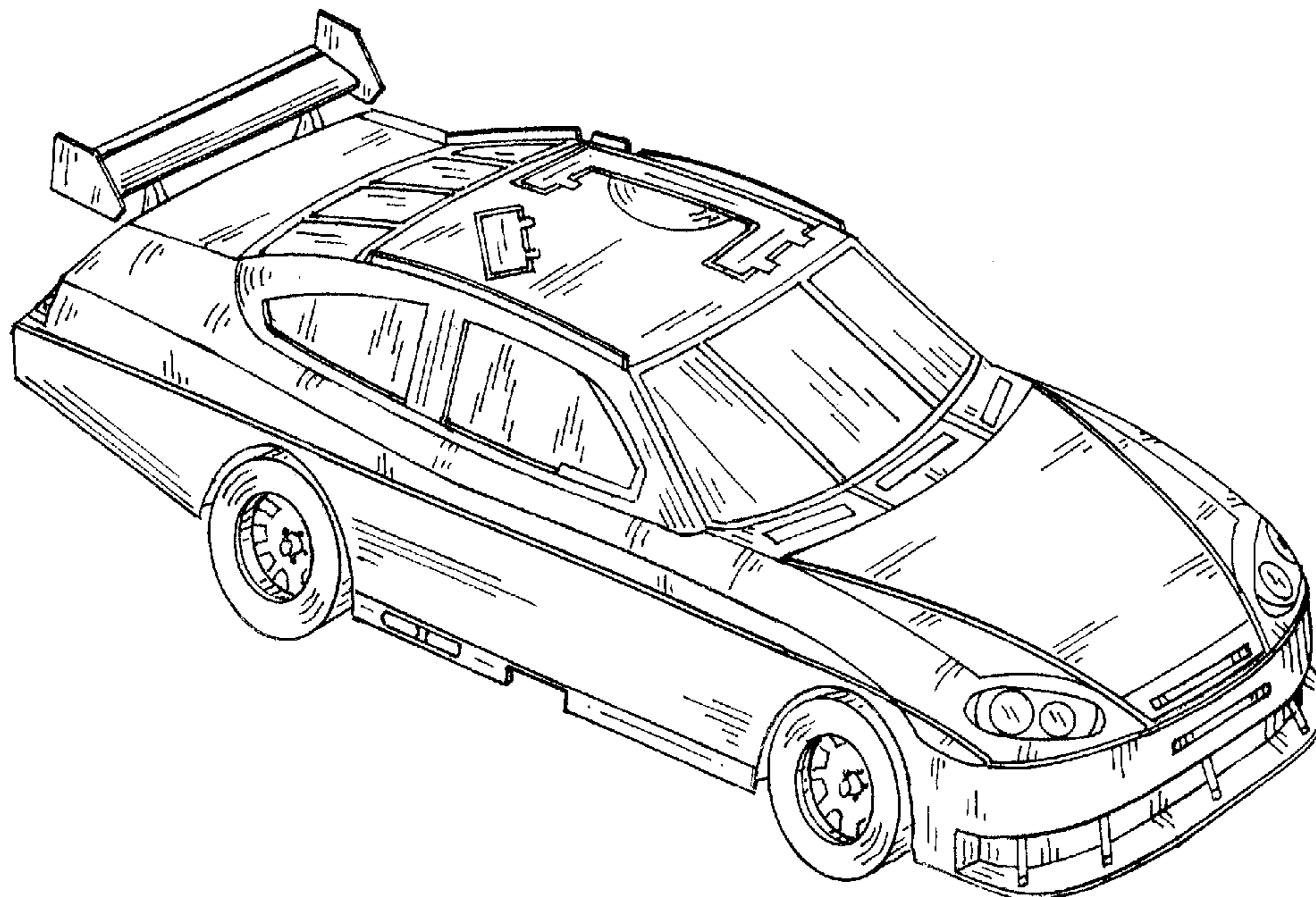
FIG. 5 is a front elevational view thereof, the portions of the tool box shown in broken lines forming no part of the claimed design;

FIG. 6 is a rear elevational view thereof, the portions of the tool box shown in broken lines forming no part of the claimed design;

FIG. 7 is a top plan view thereof; and,

FIG. 8 is a bottom plan view thereof, the portions of the tool box shown in broken lines forming no part of the claimed design.

**1 Claim, 5 Drawing Sheets**



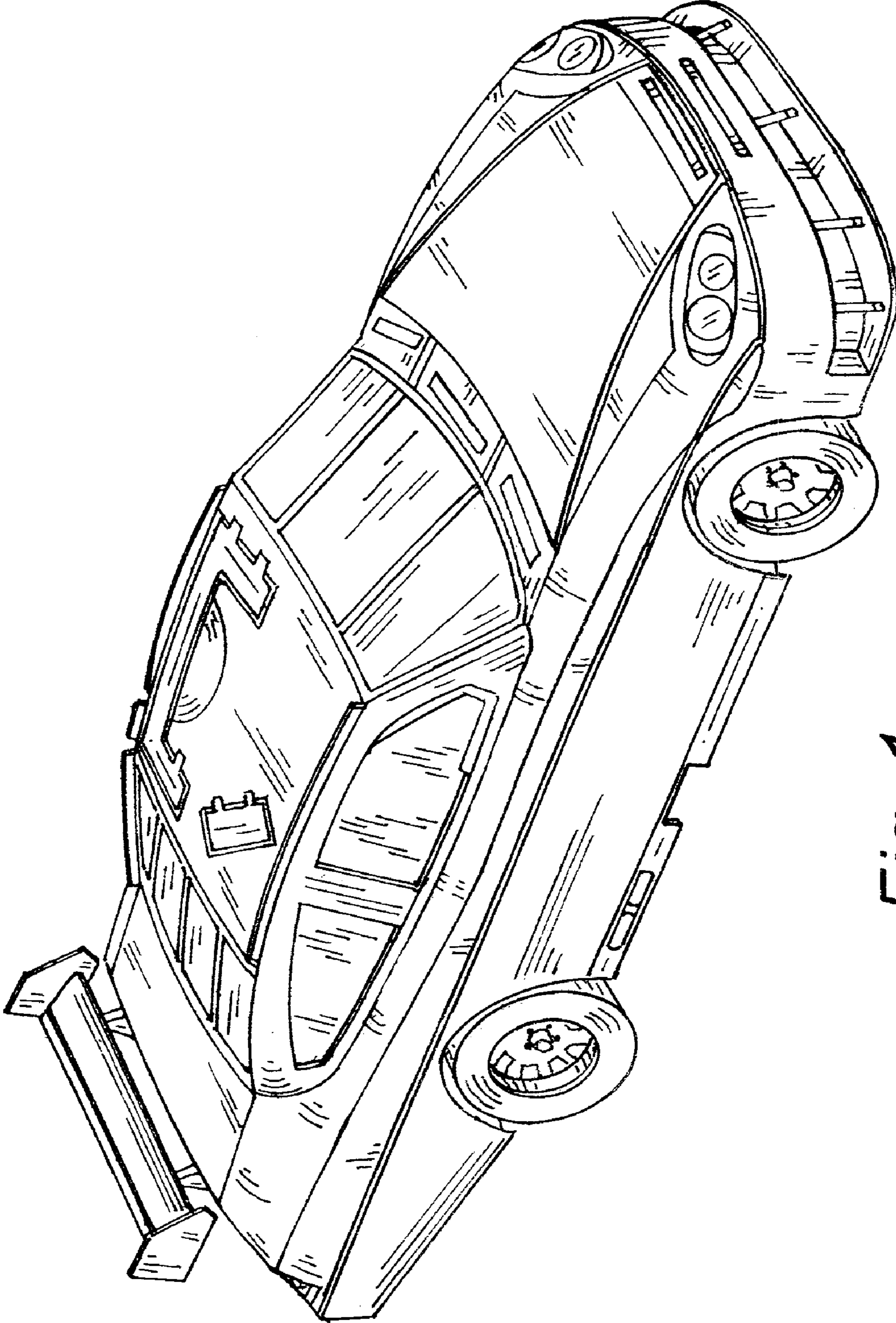


Fig. 1

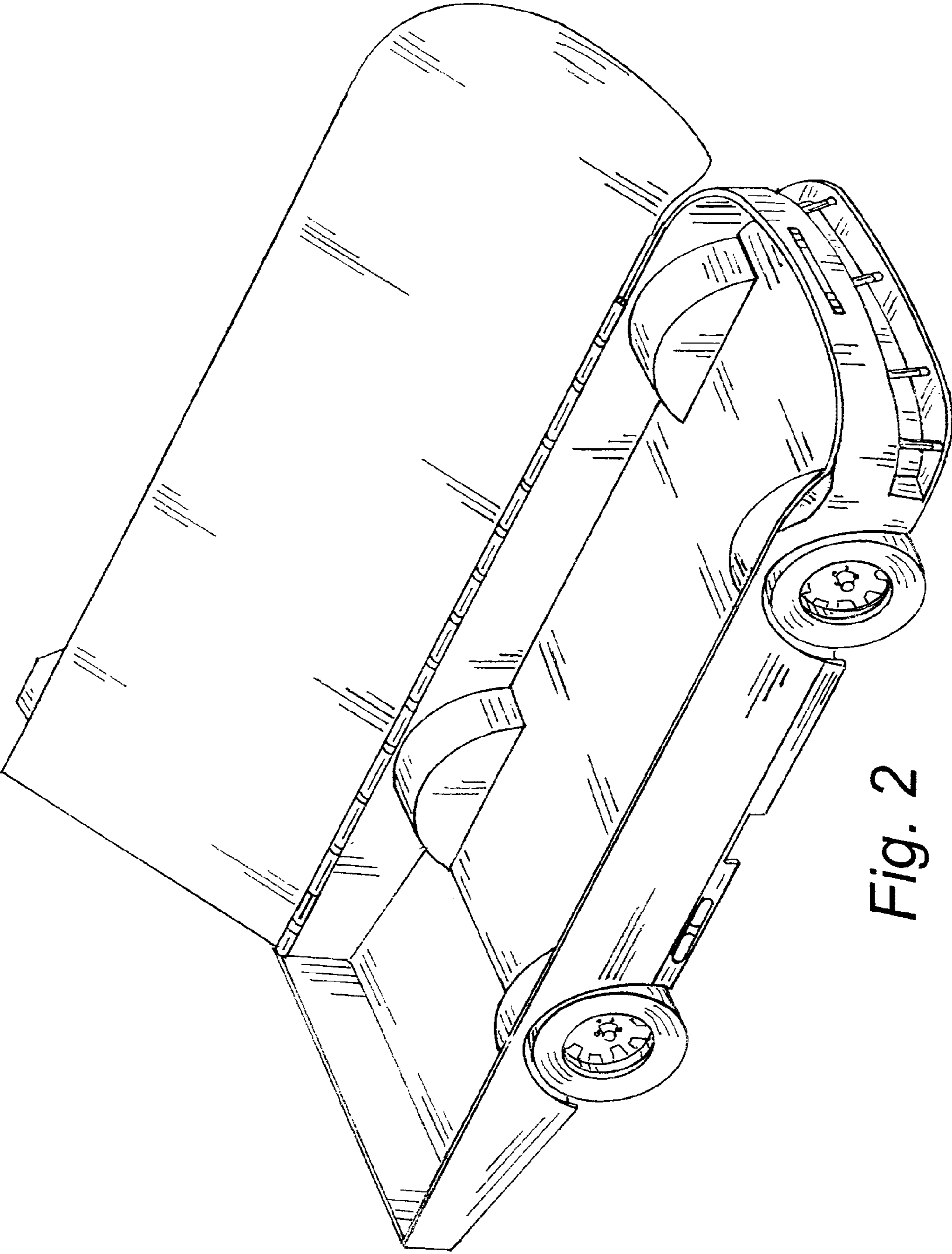


Fig. 2

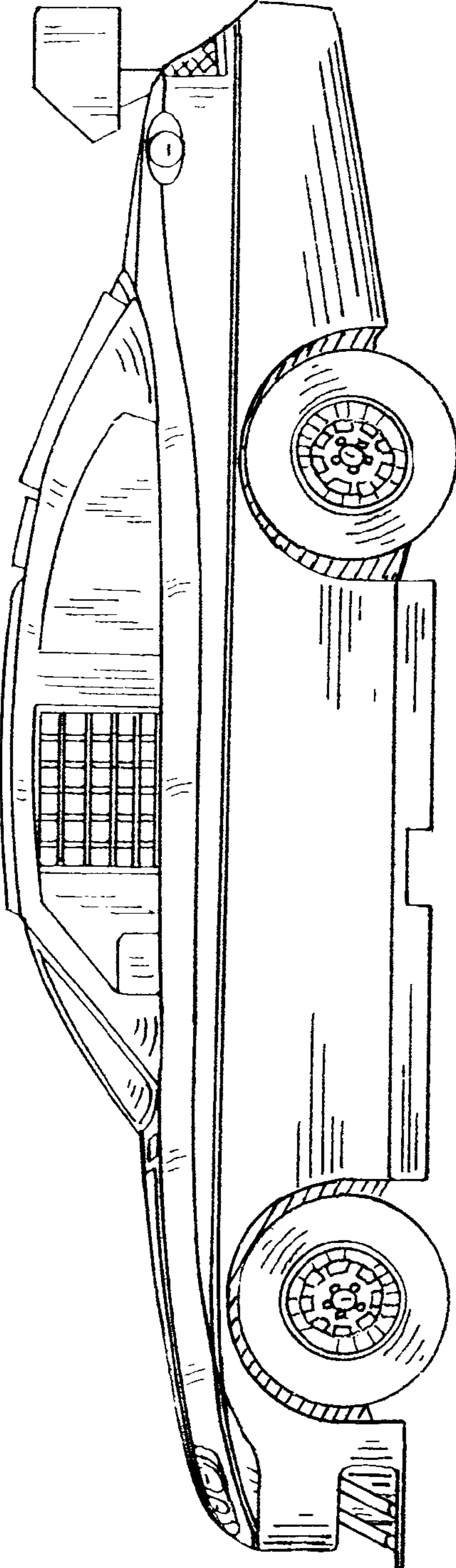


Fig. 3

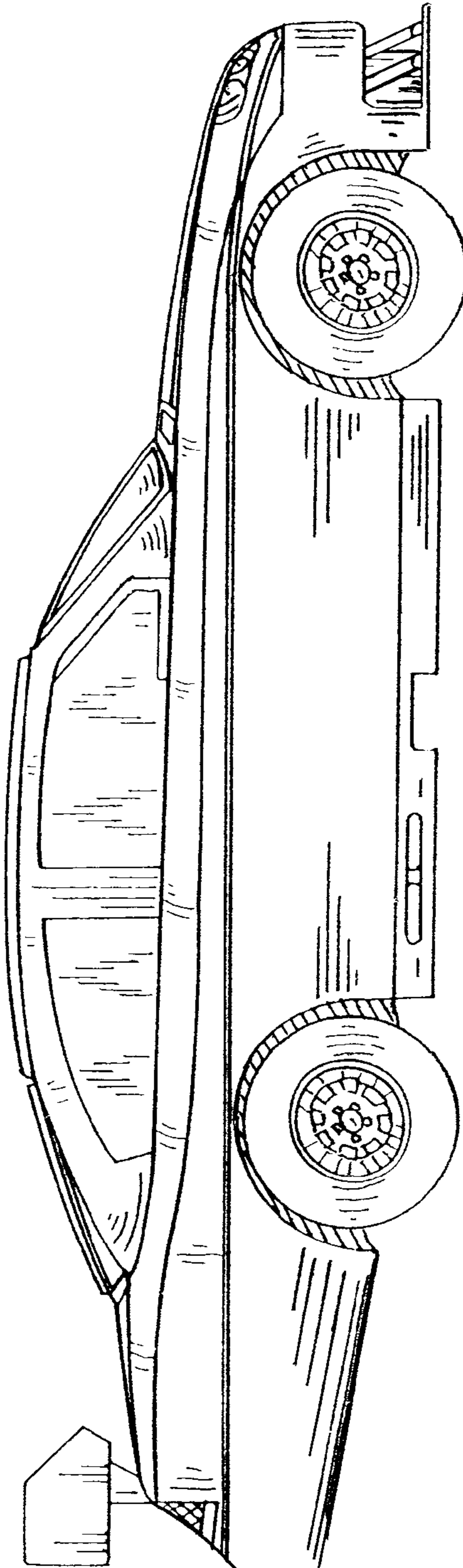
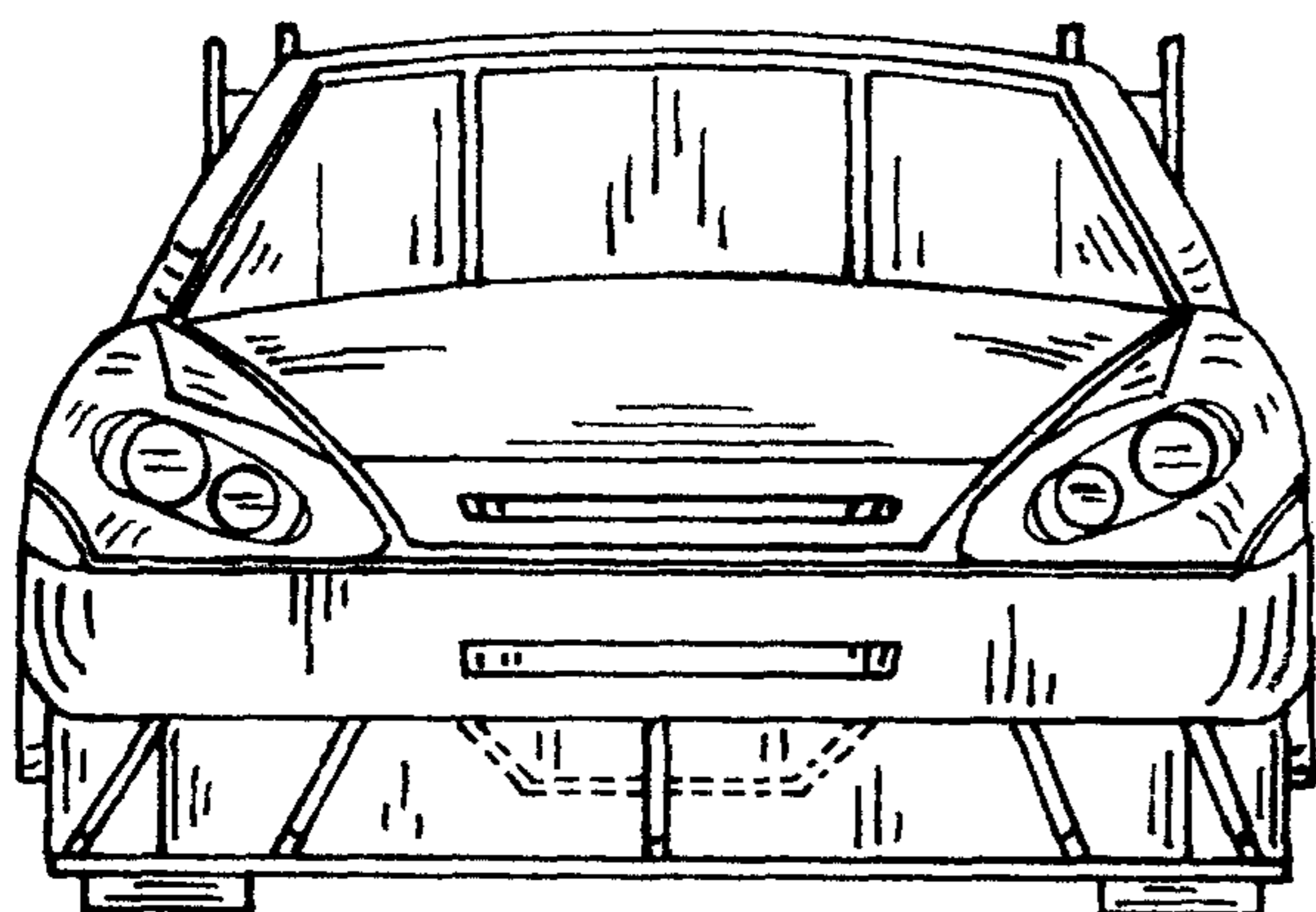
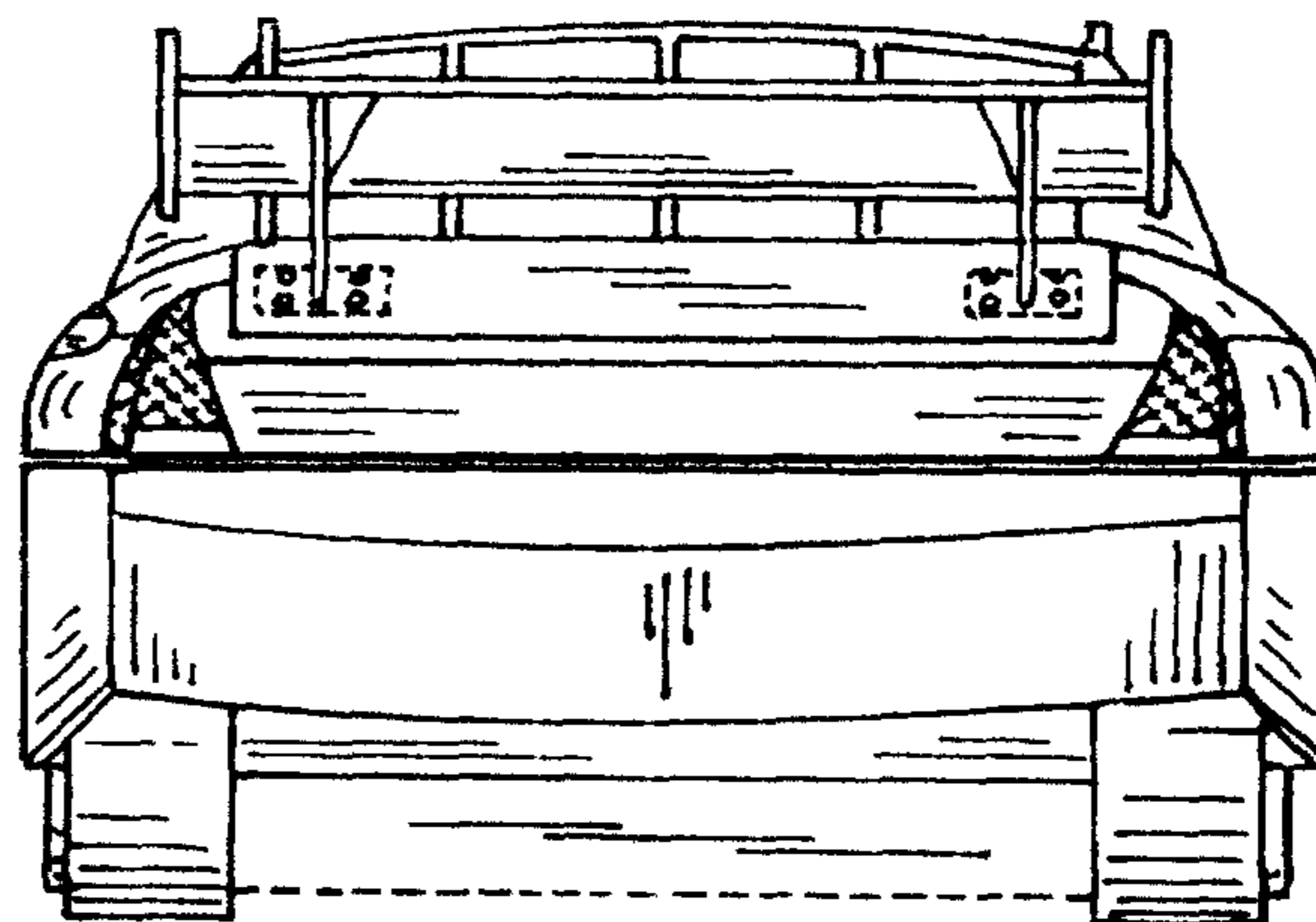


Fig. 4



*Fig. 5*



*Fig. 6*

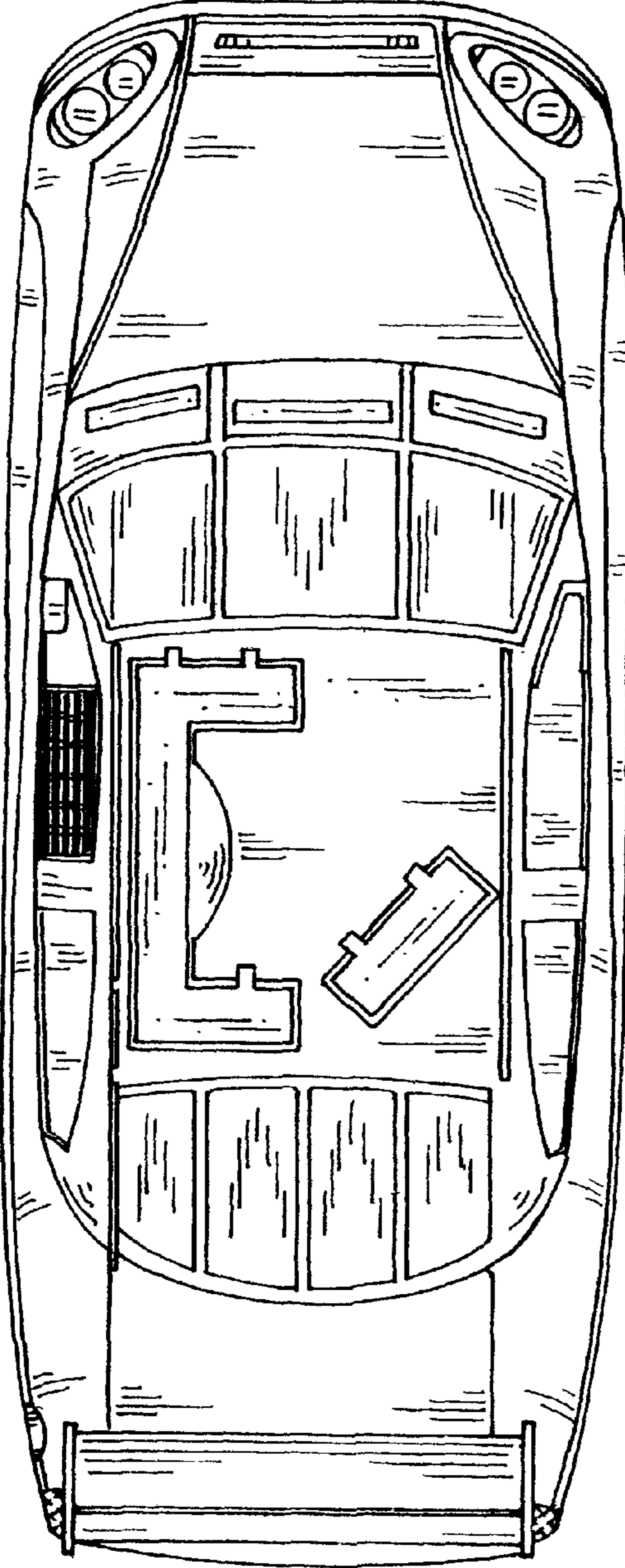


Fig. 7

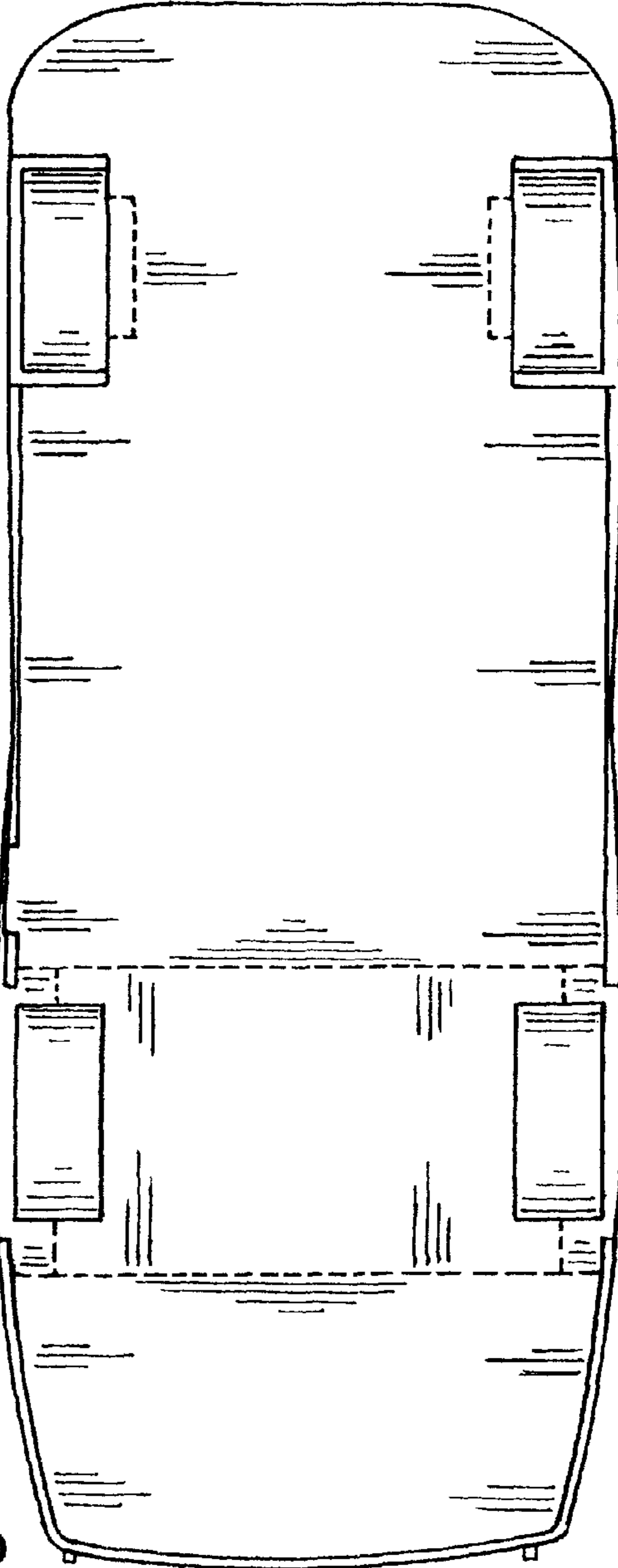


Fig. 8