

US00D624310S

(12) **United States Design Patent**  
**LaCorte**

(10) **Patent No.:** **US D624,310 S**

(45) **Date of Patent:** **\*\* Sep. 28, 2010**

(54) **MULTI-USE HANDBAG**

(76) **Inventor:** **Jill LaCorte**, 15 Belvedere Ave.,  
Belvedere, CA (US) 94920

(\*\*) **Term:** **14 Years**

(21) **Appl. No.:** **29/316,702**

(22) **Filed:** **Oct. 22, 2009**

**Related U.S. Application Data**

(62) Division of application No. 29/314,318, filed on Mar. 20, 2009.

(51) **LOC (9) Cl.** ..... **03-01**

(52) **U.S. Cl.** ..... **D3/232**

(58) **Field of Classification Search** ..... D3/232–233,  
D3/240–246, 318, 324; 150/100, 103–104,  
150/106–110, 113–114, 118–119  
See application file for complete search history.

(56) **References Cited**

**U.S. PATENT DOCUMENTS**

D403,159 S	12/1998	Bellechili
D423,215 S	4/2000	Furlanetto
D426,060 S	6/2000	Chapelier
D441,529 S	5/2001	Guyon

D447,627 S	9/2001	Haapala
D460,622 S	7/2002	Wong
D472,714 S	4/2003	Hersh et al.
D526,120 S	8/2006	Lee et al.
D611,246 S	3/2010	LaCorte

*Primary Examiner*—Holly H Baynham  
(74) *Attorney, Agent, or Firm*—David R Preston +  
Associates; David R Preston

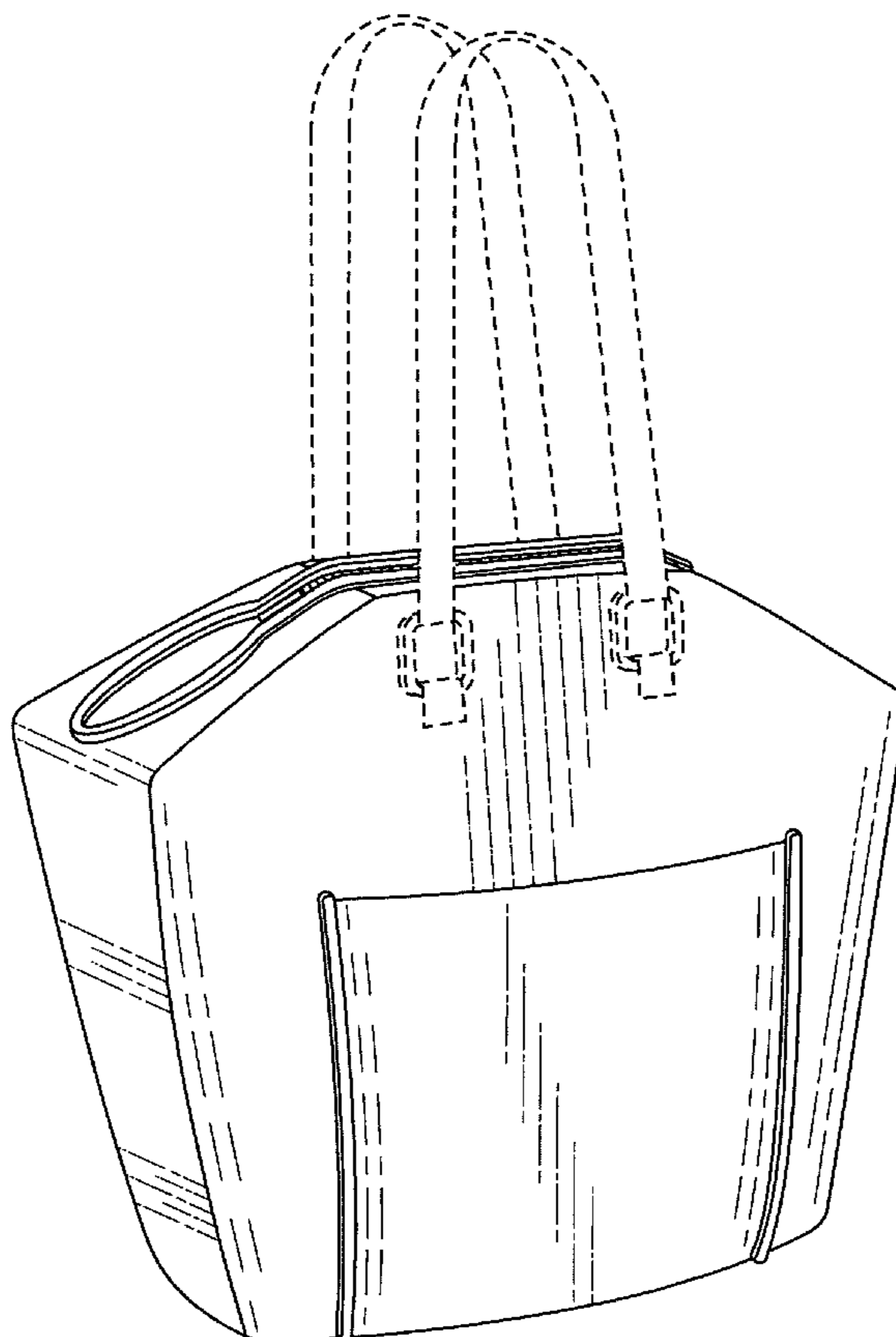
(57) **CLAIM**

What is claimed is the ornamental design for a multi-use handbag, substantially as shown and described.

**DESCRIPTION**

FIG. 1 is a perspective view of the multi-use handbag showing my new design;  
FIG. 2 is a right side view thereof;  
FIG. 3 is a left side view thereof;  
FIG. 4 is an end view thereof;  
FIG. 5 is an end view thereof, opposite to that shown in FIG. 4;  
FIG. 6 is a top view thereof; and,  
FIG. 7 is a bottom view, opposite to that shown in FIG. 6.

**1 Claim, 7 Drawing Sheets**



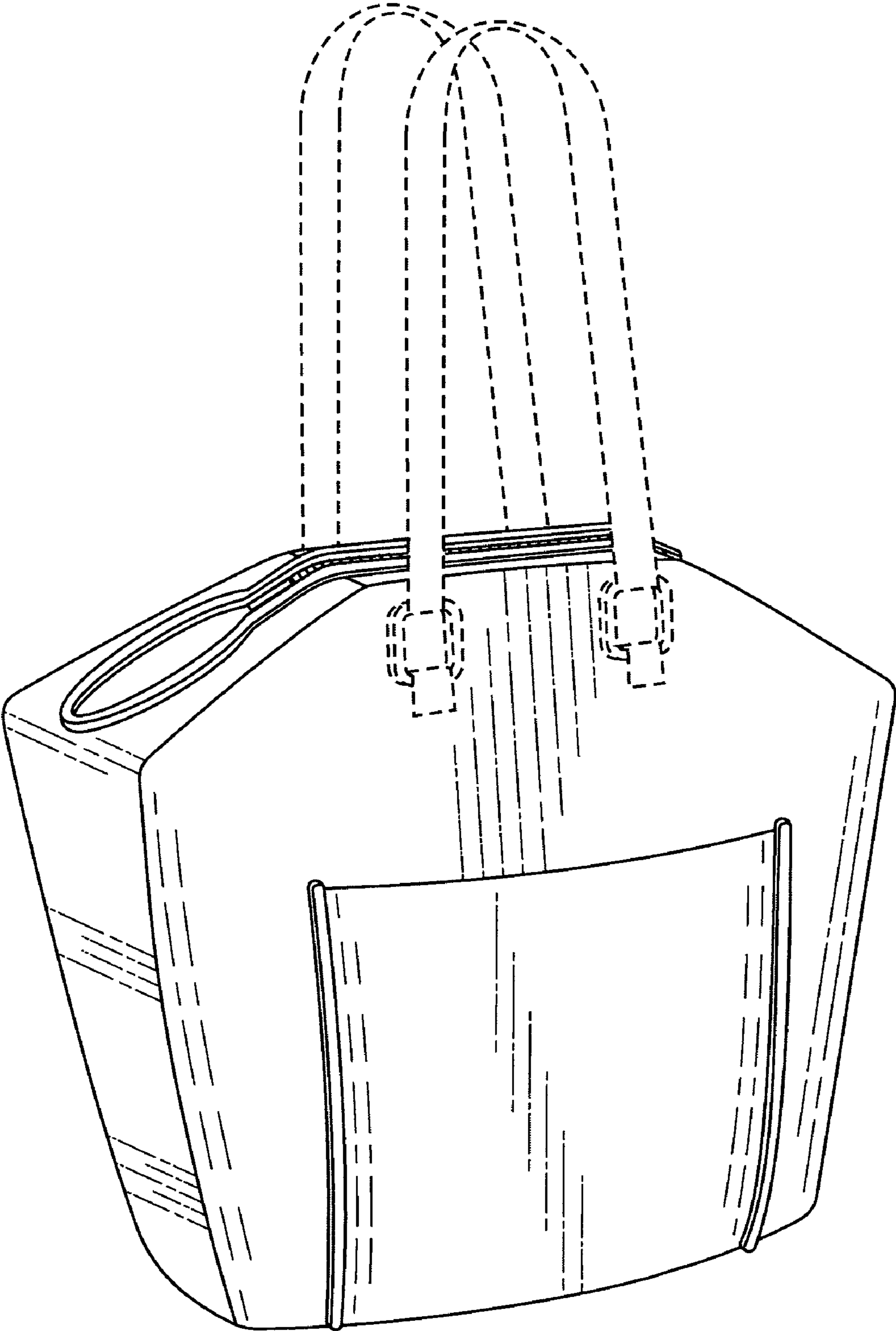


FIG. 1

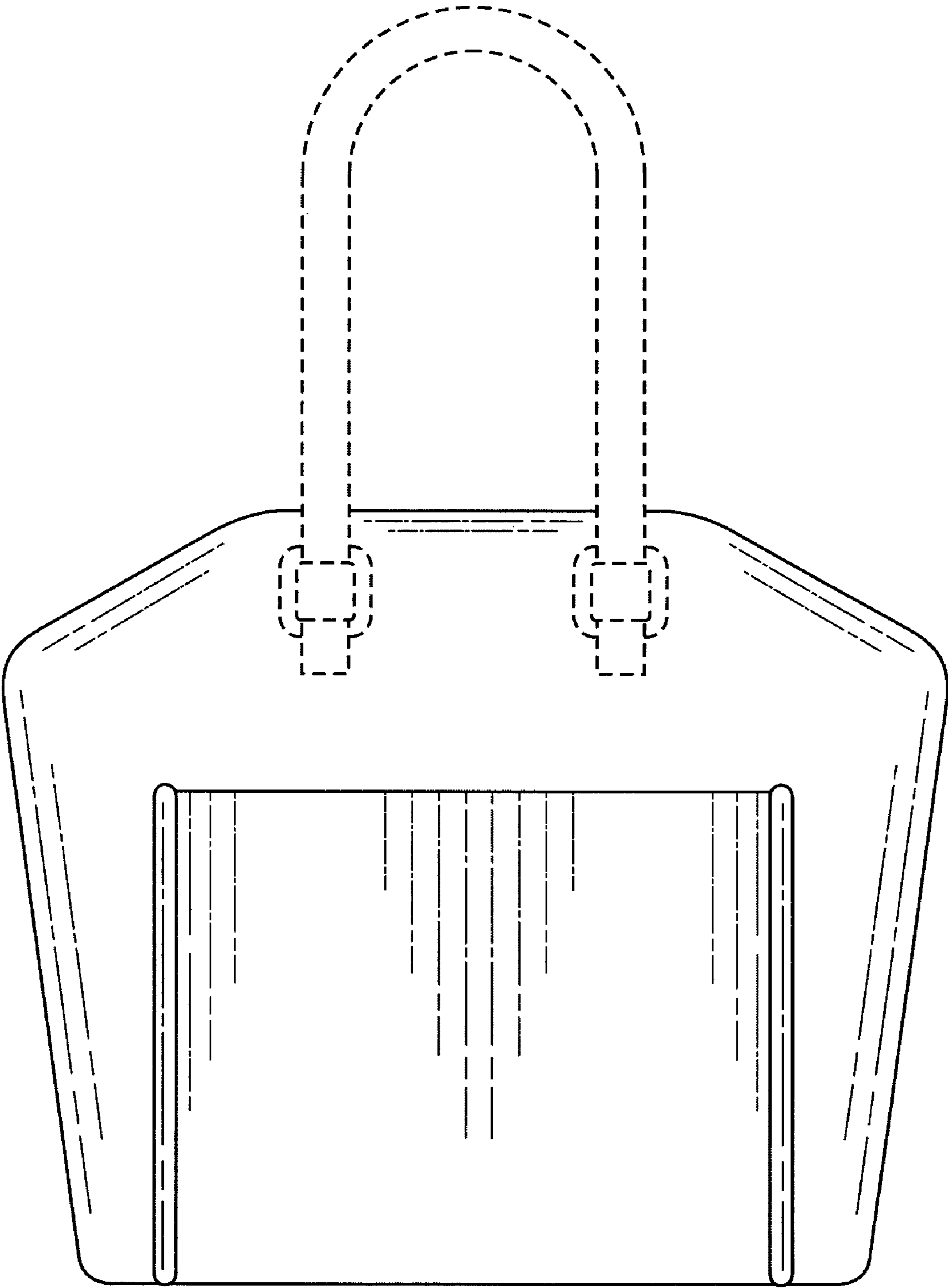


FIG. 2

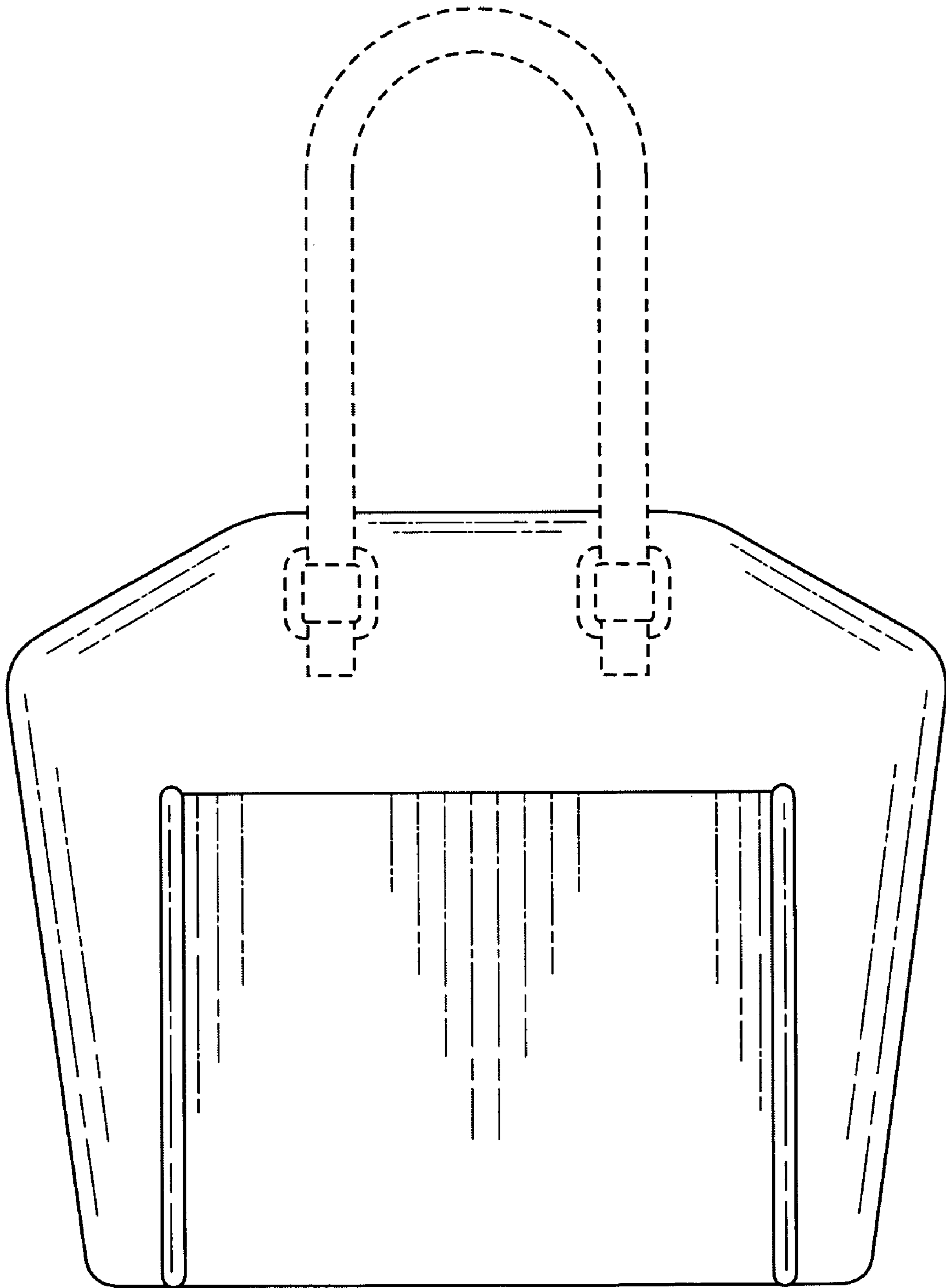


FIG. 3

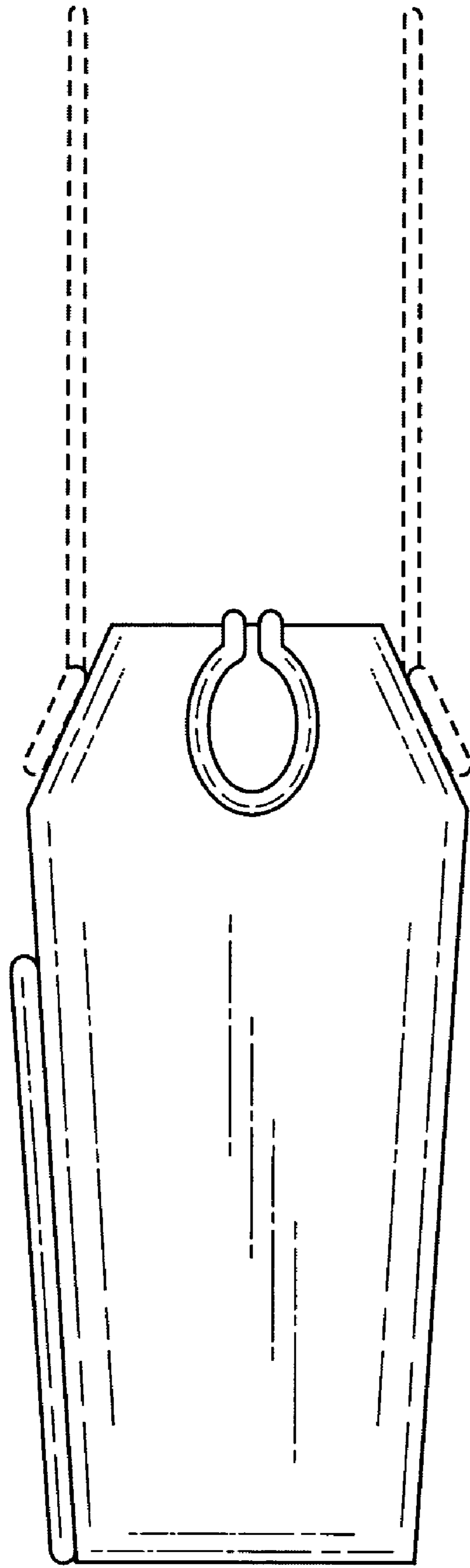


FIG. 4

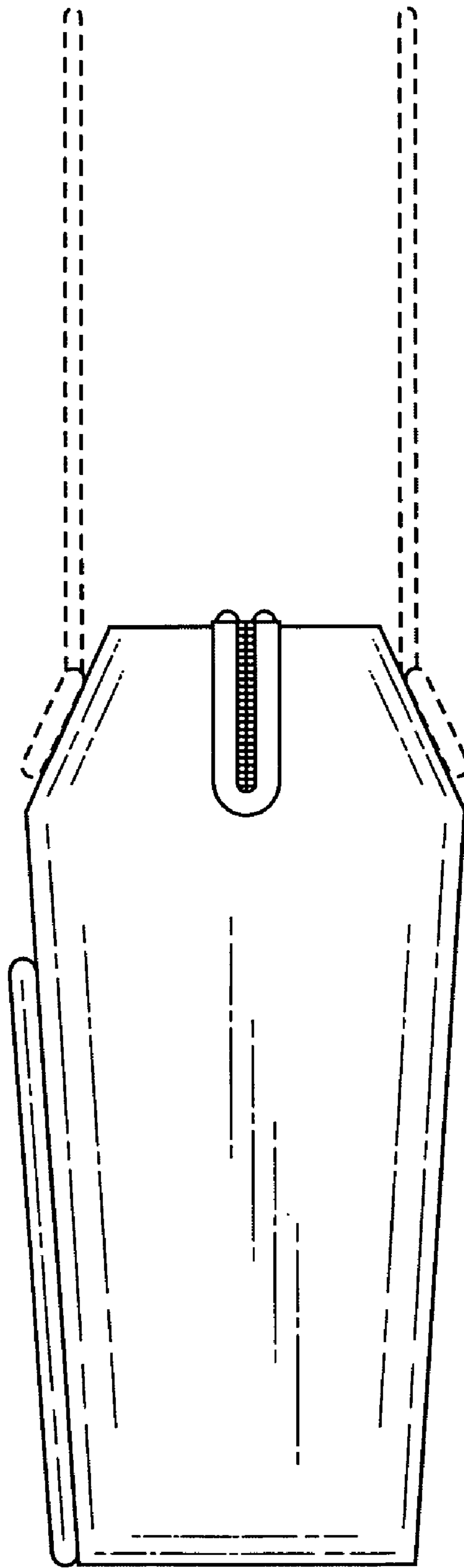


FIG. 5

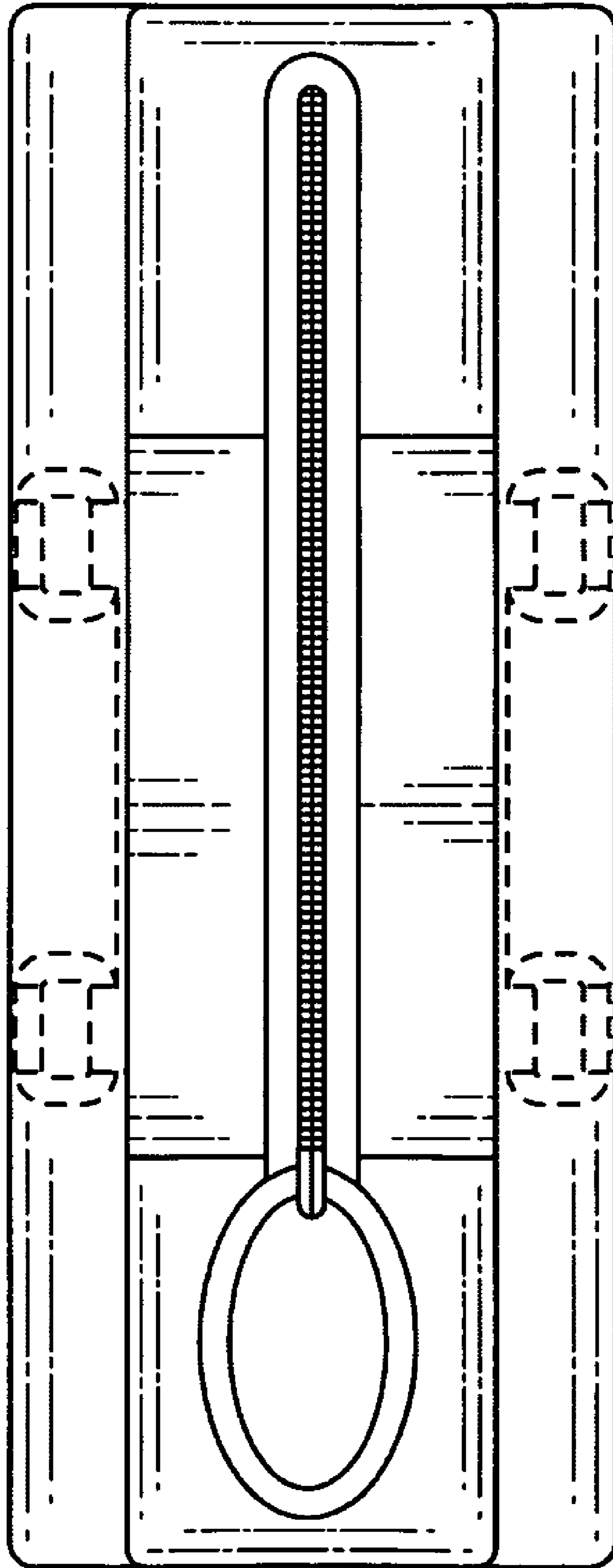


FIG. 6

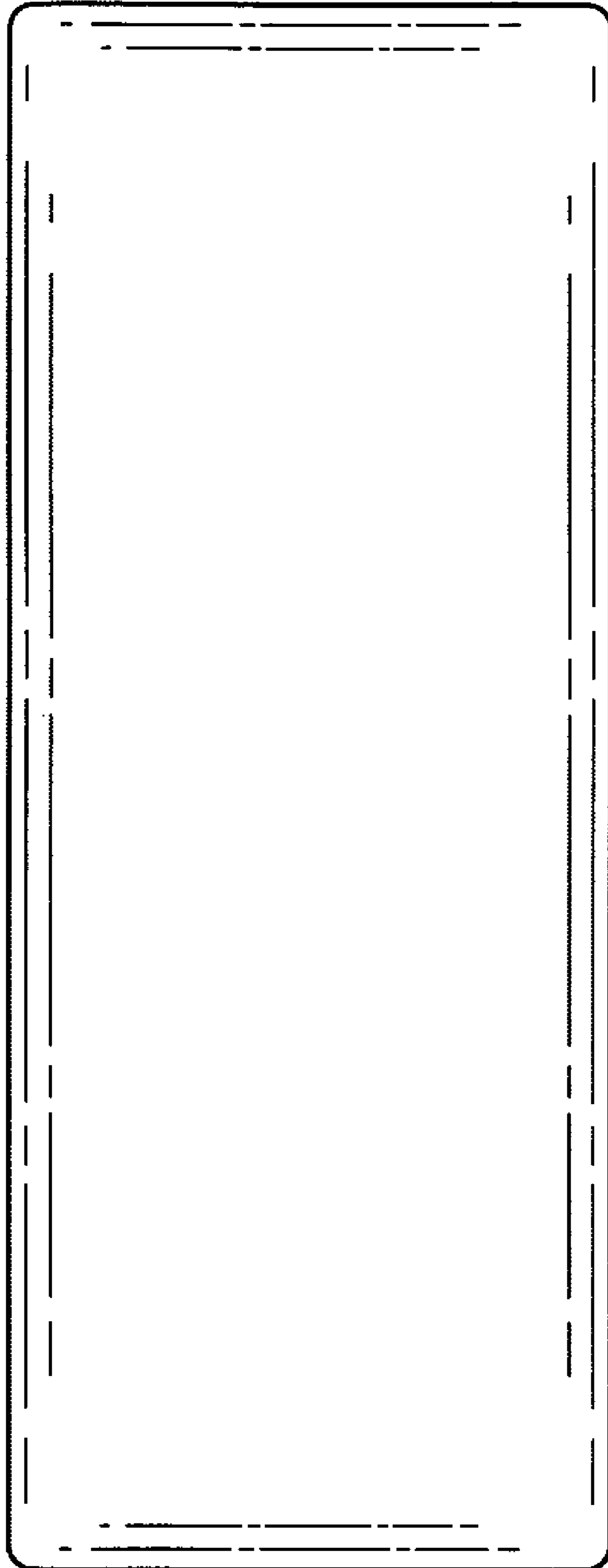


FIG. 7