



US00D624305S

(12) **United States Design Patent**
Downes

(10) **Patent No.:** **US D624,305 S**
(45) **Date of Patent:** **** Sep. 28, 2010**

(54) **KEY ORGANIZER**

(75) Inventor: **Josh Downes**, Henderson, NV (US)

(73) Assignee: **Keyport, Inc.**, Henderson, NV (US)

(**) Term: **14 Years**

(21) Appl. No.: **29/344,302**

(22) Filed: **Sep. 25, 2009**

Related U.S. Application Data

(63) Continuation of application No. PCT/US2008/086896, filed on Dec. 15, 2008, which is a continuation-in-part of application No. PCT/US2007/078960, filed on Sep. 19, 2007, application No. 29/344,302, which is a continuation-in-part of application No. 12/442,098, filed as application No. PCT/US2007/078960 on Sep. 19, 2007.

(51) **LOC (9) Cl.** **03-01**

(52) **U.S. Cl.** **D3/207**

(58) **Field of Classification Search** D11/1-2,
D11/14, 26-29, 89-92, 44, 48, 81, 99; 63/26-28,
63/32; D3/207-212; D8/38; 70/456 R;
206/37.2

See application file for complete search history.

(56) **References Cited**

U.S. PATENT DOCUMENTS

2,493,330 A * 1/1950 Zimmerman 70/456 R

2,560,595 A * 7/1951 Poncar 70/456 R
2,637,994 A * 5/1953 Harrison, Jr. et al. 70/456 R
2,669,859 A * 2/1954 Hudson, Jr. 70/456 R
2,790,319 A * 4/1957 Brunner 70/456 R
3,457,746 A * 7/1969 Glassman 70/456 R

* cited by examiner

Primary Examiner—Ralf Seifert

(74) *Attorney, Agent, or Firm*—The Johnson IP Law Firm;
Rodney D. Johnson

(57) **CLAIM**

The ornamental design for a key organizer, as shown and described.

DESCRIPTION

FIG. 1 is a perspective view of a key organizer embodying my design;

FIG. 2 is a back view thereof;

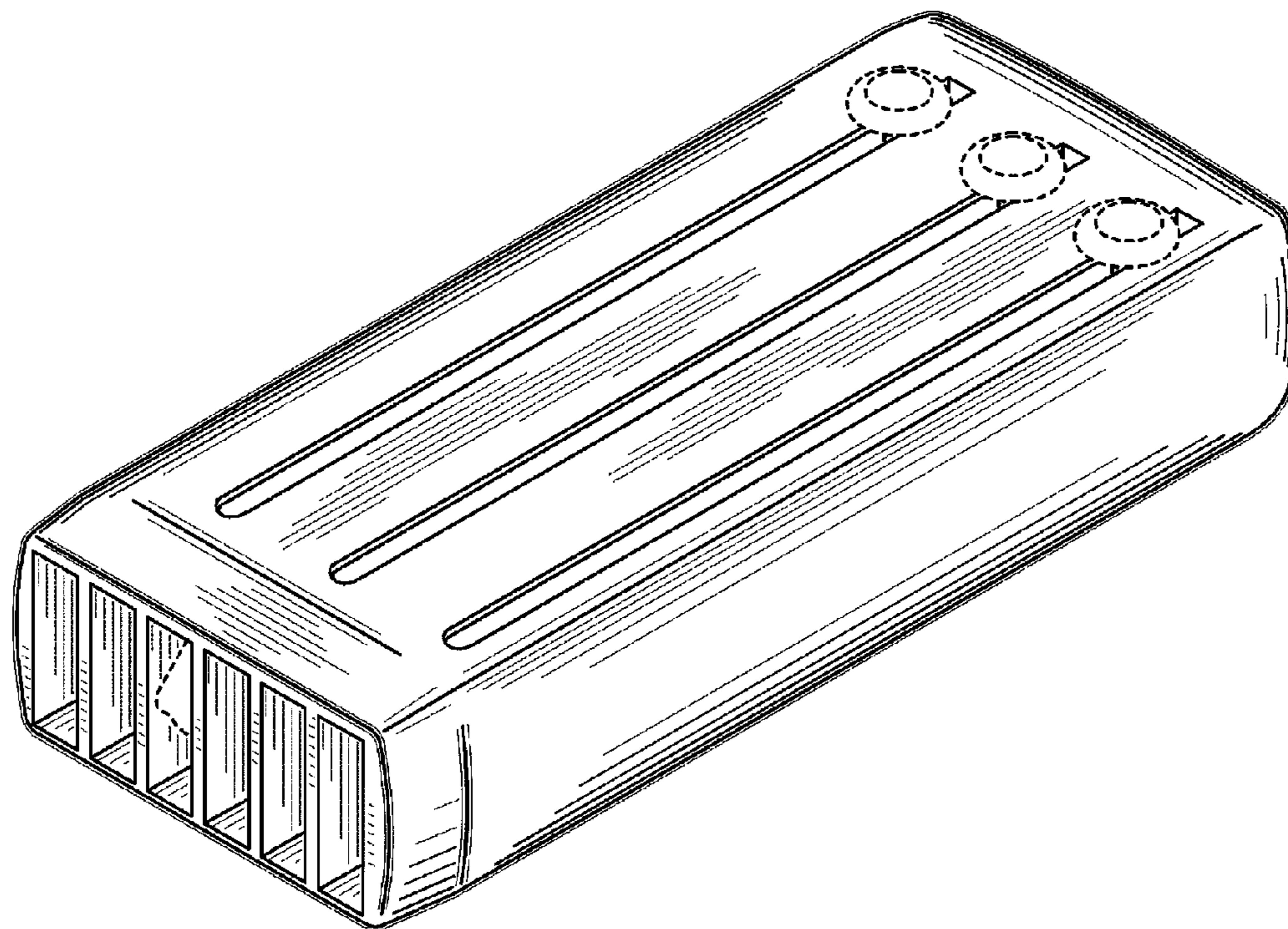
FIG. 3 is a front view thereof;

FIG. 4 is a left side view thereof, with the right side view being identical; and,

FIG. 5 is a top view thereof, with the bottom view being identical.

The broken line portions of the disclosure are for illustrative purposes only and form no part of the claimed design.

1 Claim, 2 Drawing Sheets



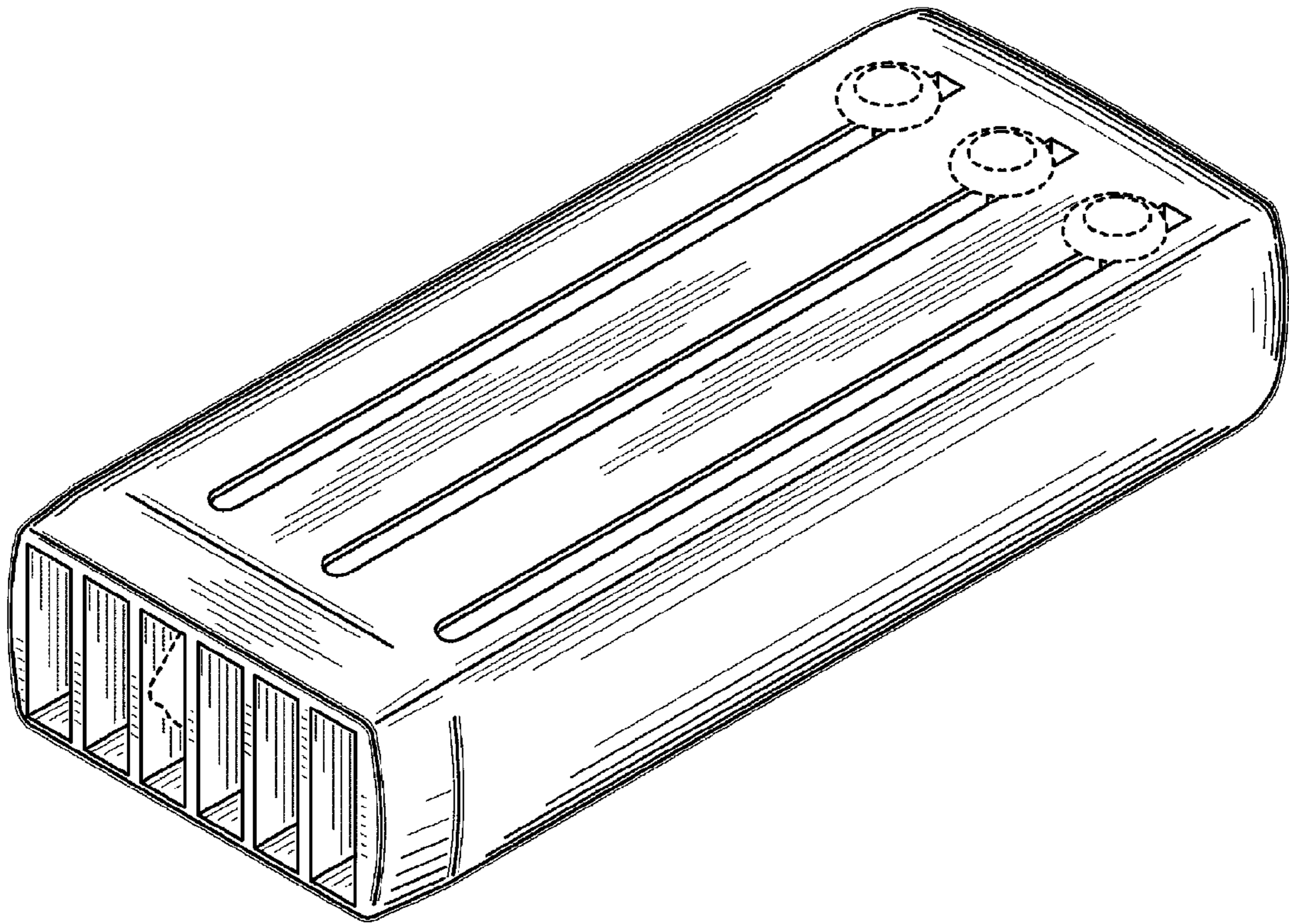


FIG. 1

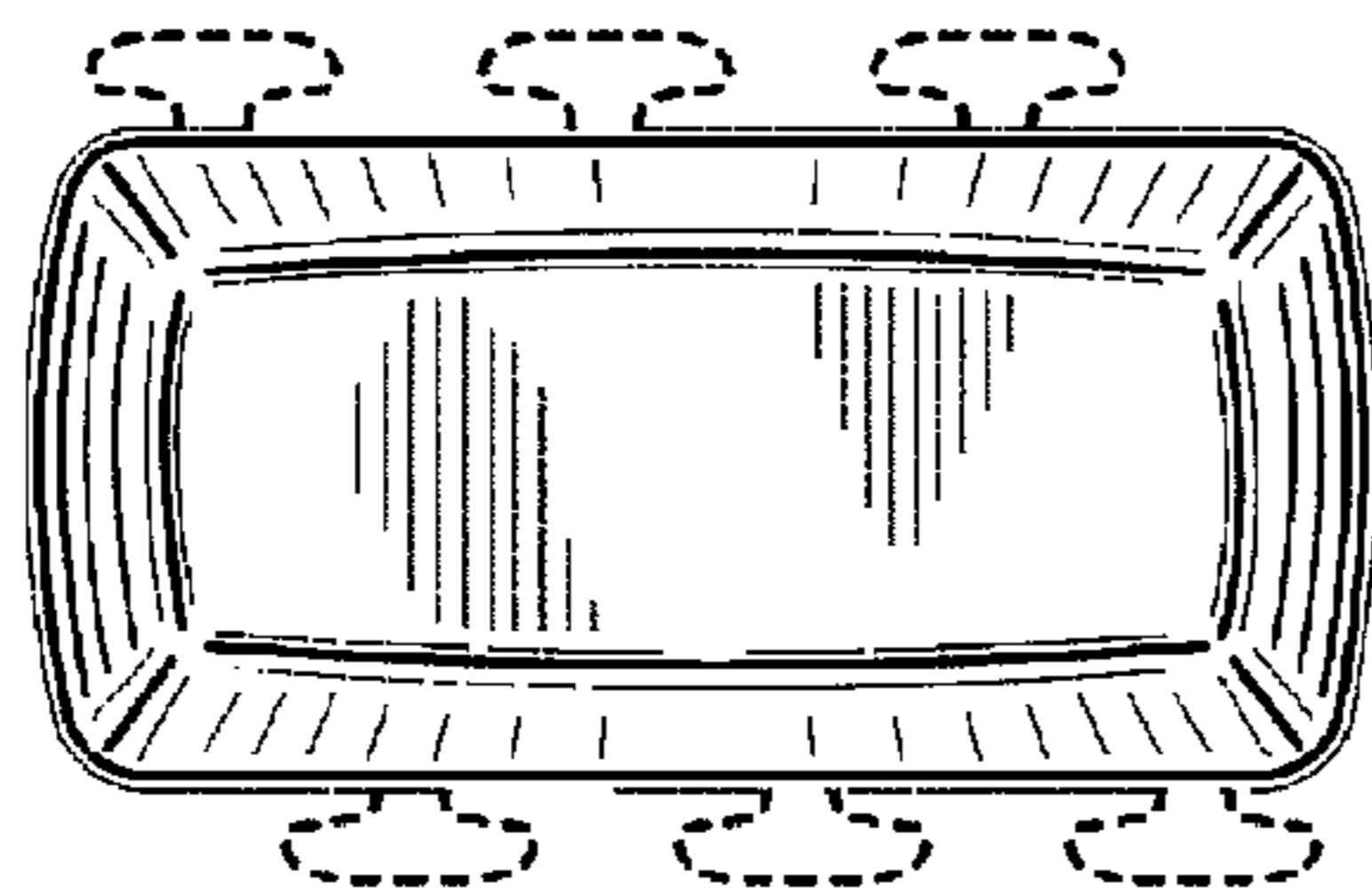


FIG. 2

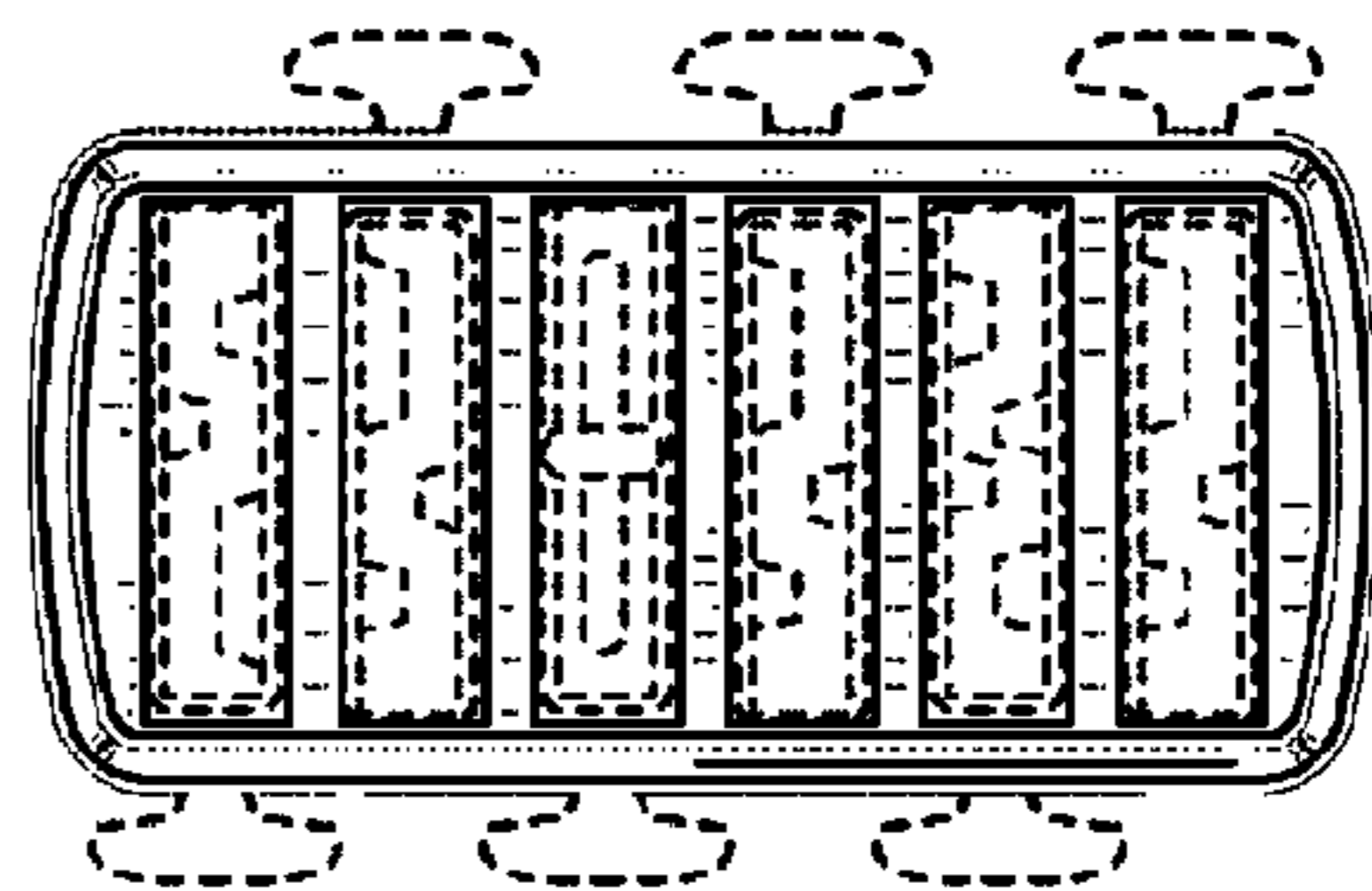


FIG 3

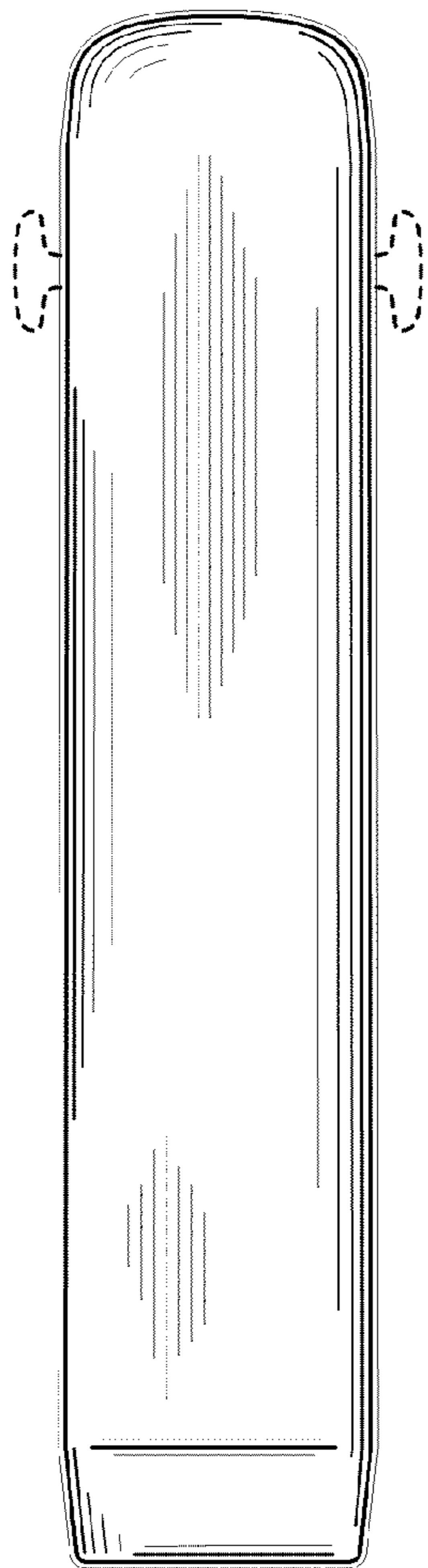


FIG 4

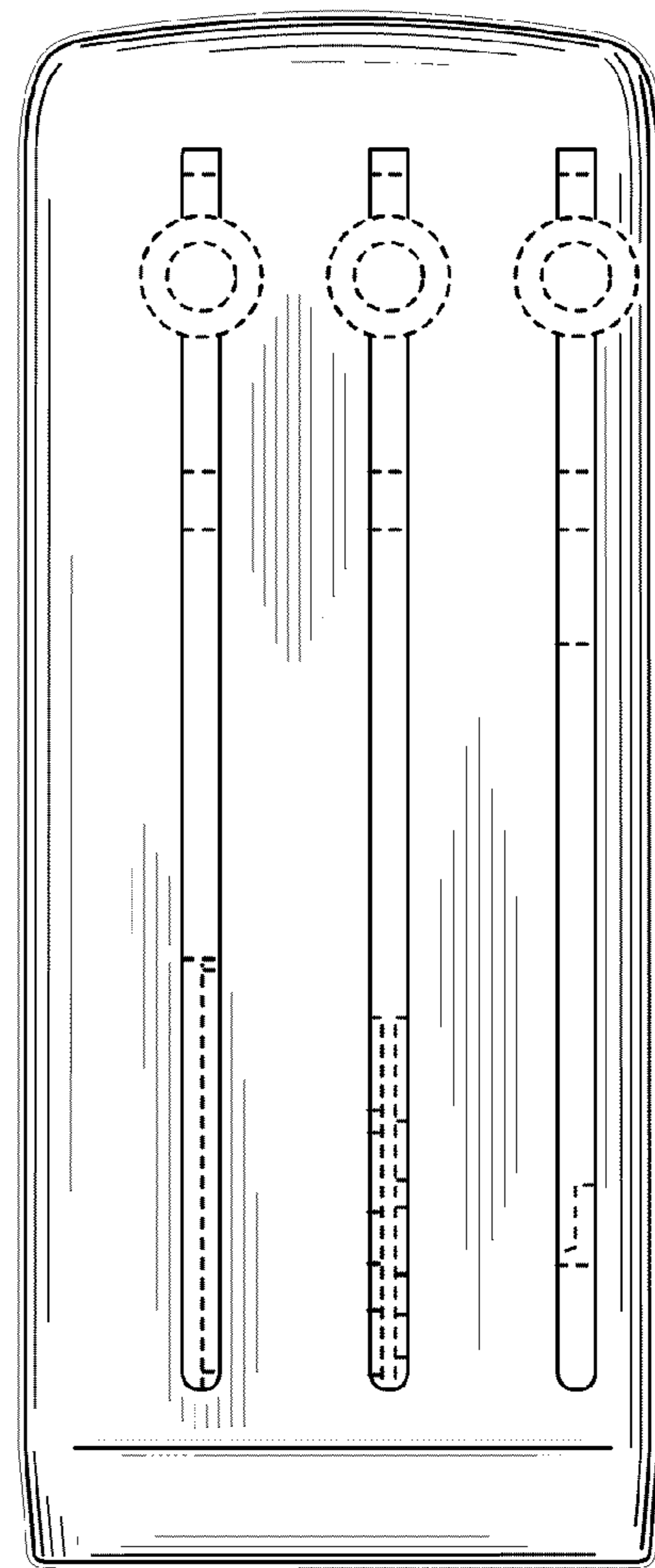


FIG 5