



US00D624304S

(12) **United States Design Patent**
Danze et al.

(10) **Patent No.:** **US D624,304 S**

(45) **Date of Patent:** **** Sep. 28, 2010**

(54) **CELL PHONE OR PDA COMPACT CASE**

2001/0035444 A1 11/2001 Alis
2004/0099497 A1 5/2004 Parker et al.

(76) Inventors: **Alex Danze**, 5867 Jasmine St.,
Riverside, CA (US) 92504; **Joseph**
David Arellano, 27625 Desert Gold Ct.,
Murrieta, CA (US) 92552

* cited by examiner

Primary Examiner—Catherine R Oliver
(74) *Attorney, Agent, or Firm*—Kirk A. Buhler; Buhler &
Associates

(**) Term: **14 Years**

(21) Appl. No.: **29/339,652**

(57) **CLAIM**

(22) Filed: **Jul. 3, 2009**

The ornamental design for a cell phone or PDA compact case,
as shown and described.

(51) **LOC (9) Cl.** **03-01**

(52) **U.S. Cl.** **D3/201; D3/218**

(58) **Field of Classification Search** D3/201,
D3/215, 218–219, 269, 271–276, 294, 303;
D14/137–138, 250, 253; 206/305, 320; 379/433.01,
379/445, 447, 451, 440; 455/90.1, 90.3,
455/550.1, 575.1, 575.8; 224/236, 240–241,
224/245, 250, 901, 904, 682–683
See application file for complete search history.

DESCRIPTION

FIG. 1 is a rear perspective view for a cell phone or PDA
compact case showing my new design with the hinged door
open;

FIG. 2 is a rear perspective view with the hinged door in the
closed position thereof;

FIG. 3 is rear perspective view with the hinged door open
view thereof;

FIG. 4 is a perspective exploded view thereof;

FIG. 5 is a rear view thereof;

FIG. 6 is a front view thereof;

FIG. 7 is a right side view thereof;

FIG. 8 is a left side view thereof;

FIG. 9 is a top view thereof; and,

FIG. 10 is a bottom view thereof.

The broken lines in FIGS. 1, 3, and 4 depict environmental
subject matter only and form no part of the claimed design.

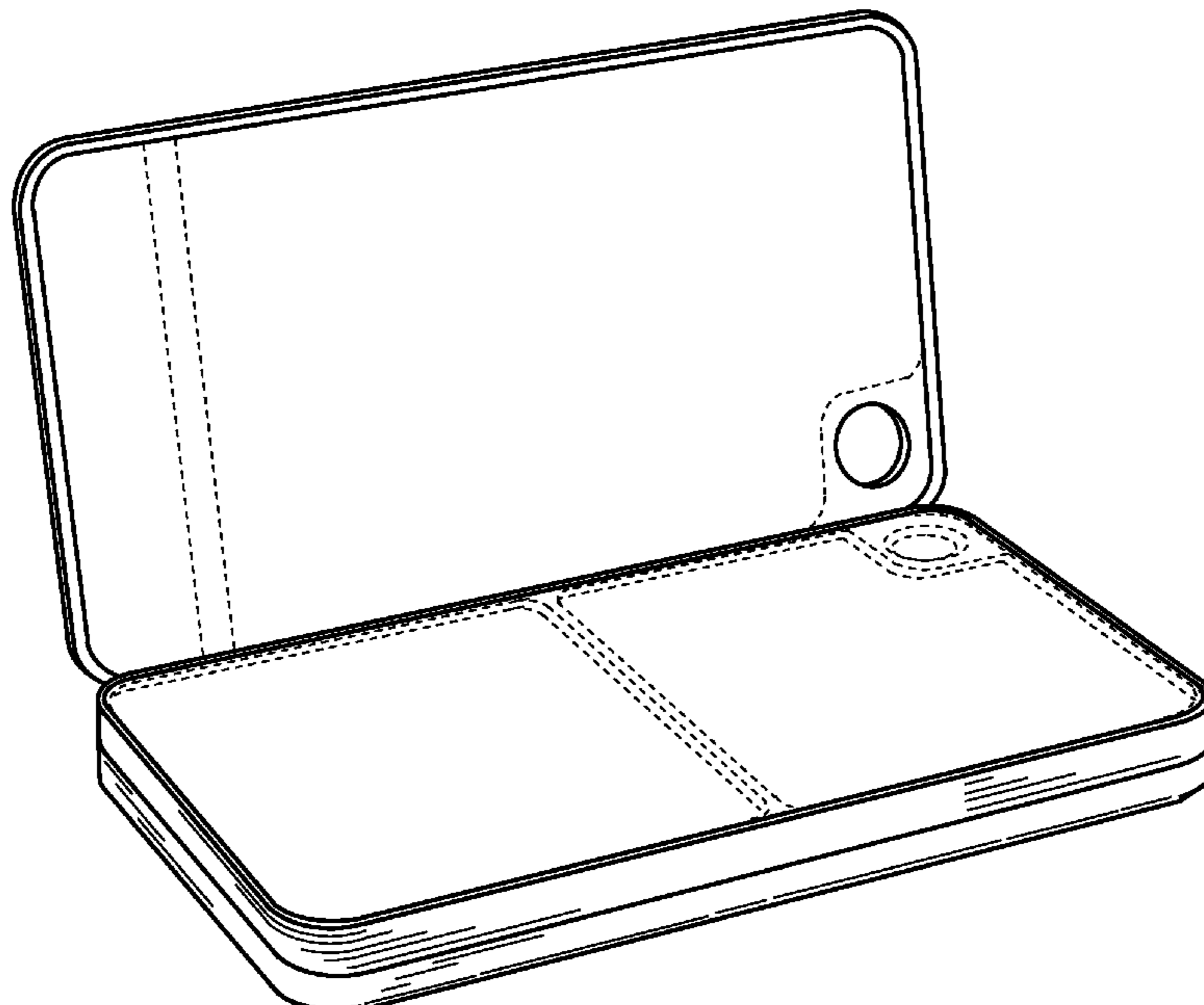
The cell phone, mirror, ID strap and make up insert shown in
FIGS. 1, 3 and 4 are for the convenience of illustration.

(56) **References Cited**

U.S. PATENT DOCUMENTS

D409,374 S	5/1999	Laba et al.	
D412,786 S *	8/1999	Killinger	D3/273
D423,772 S	5/2000	Cooper et al.	
6,164,451 A	12/2000	Sherman	
D464,196 S *	10/2002	Parker	D3/273
D482,162 S	11/2003	Bostroem	
D515,807 S	2/2006	Faillace	
D517,311 S	3/2006	Kim	
D527,182 S *	8/2006	Ham	D3/294
D543,023 S	5/2007	Han et al.	
D561,463 S	2/2008	Malhotra	
D563,093 S *	3/2008	Nussberger et al.	D3/201
D577,904 S *	10/2008	Sasaki	D3/201
7,630,745 B2 *	12/2009	Chen et al.	455/575.8

1 Claim, 5 Drawing Sheets



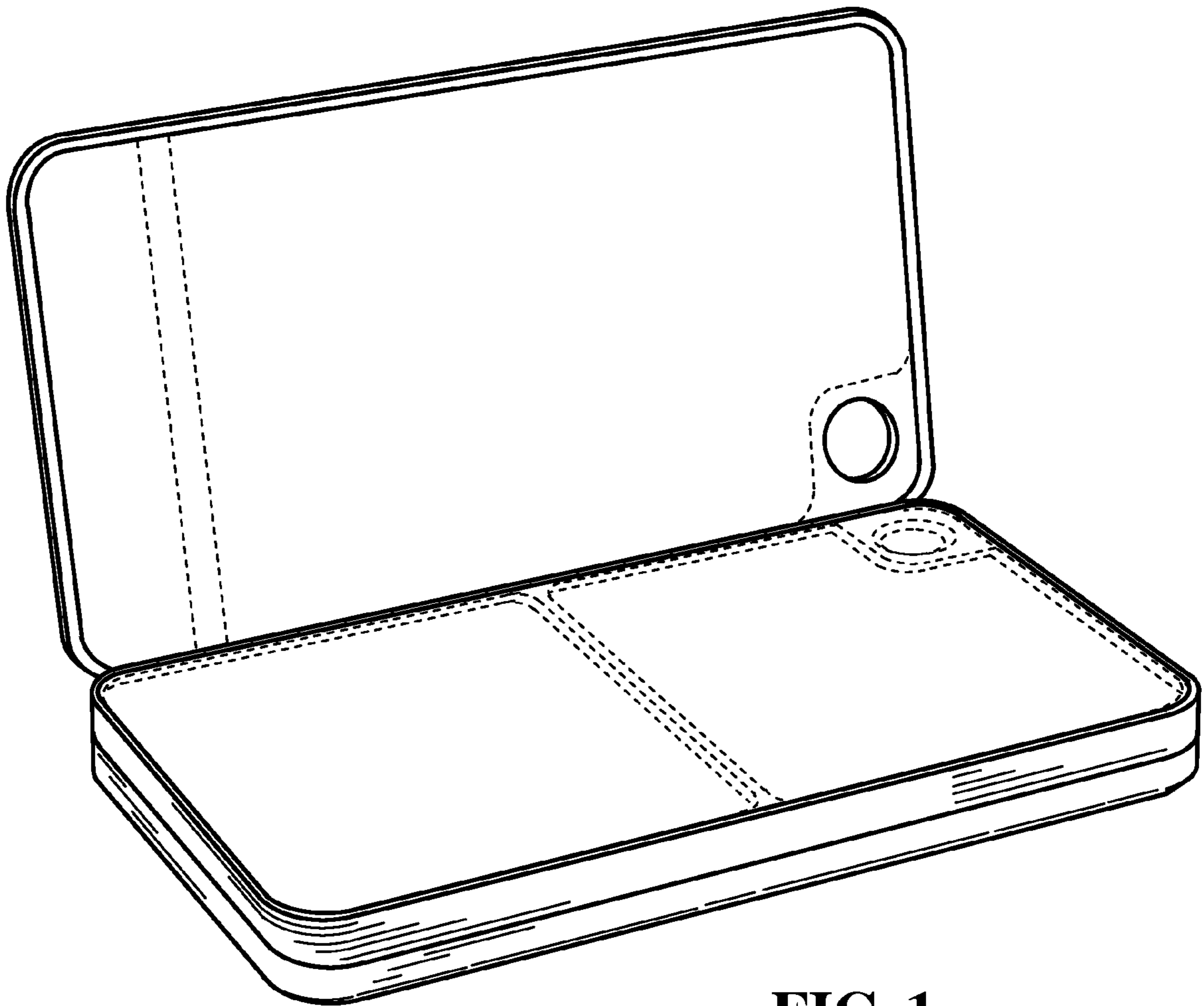


FIG. 1

FIG. 2

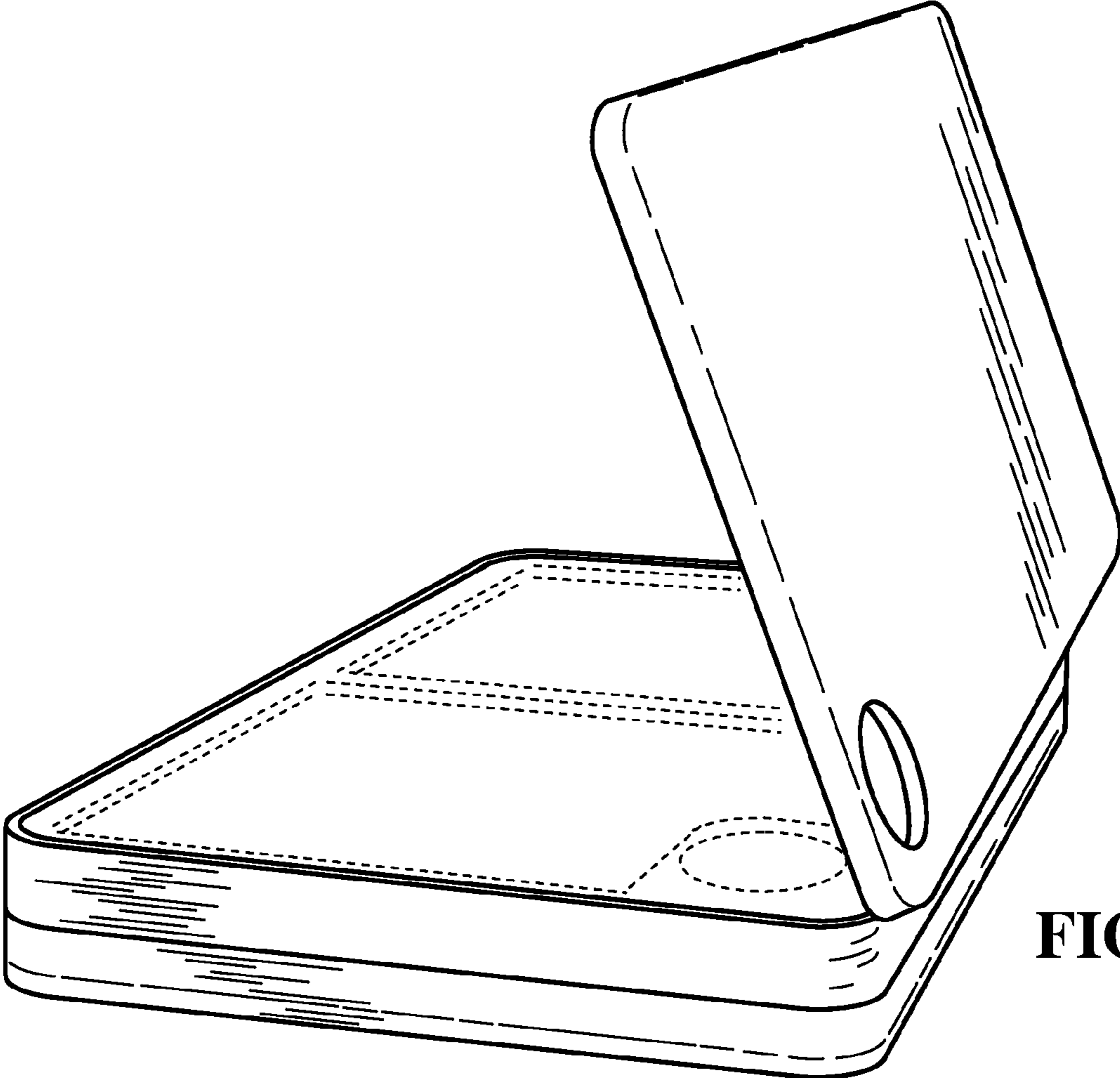
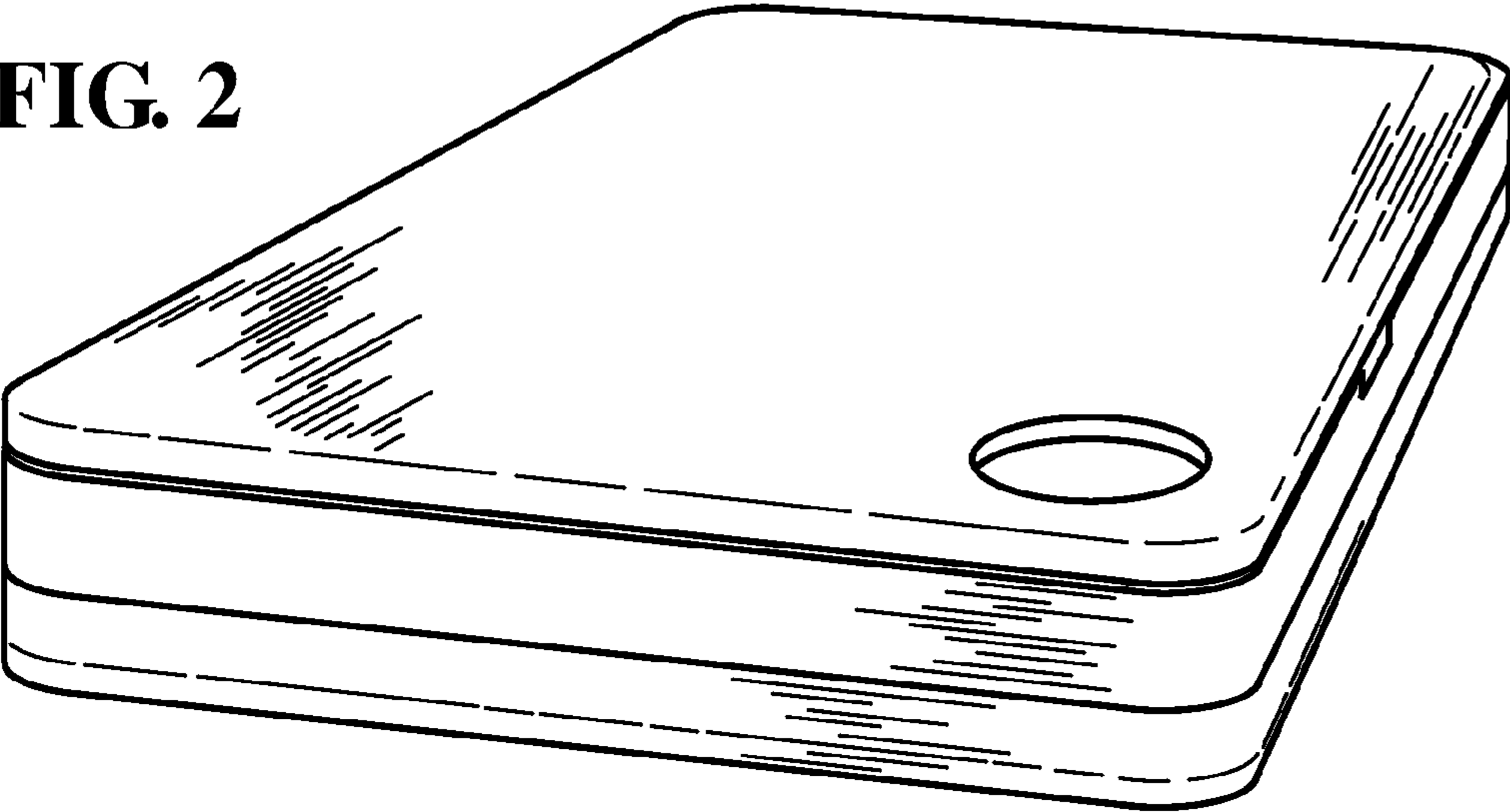
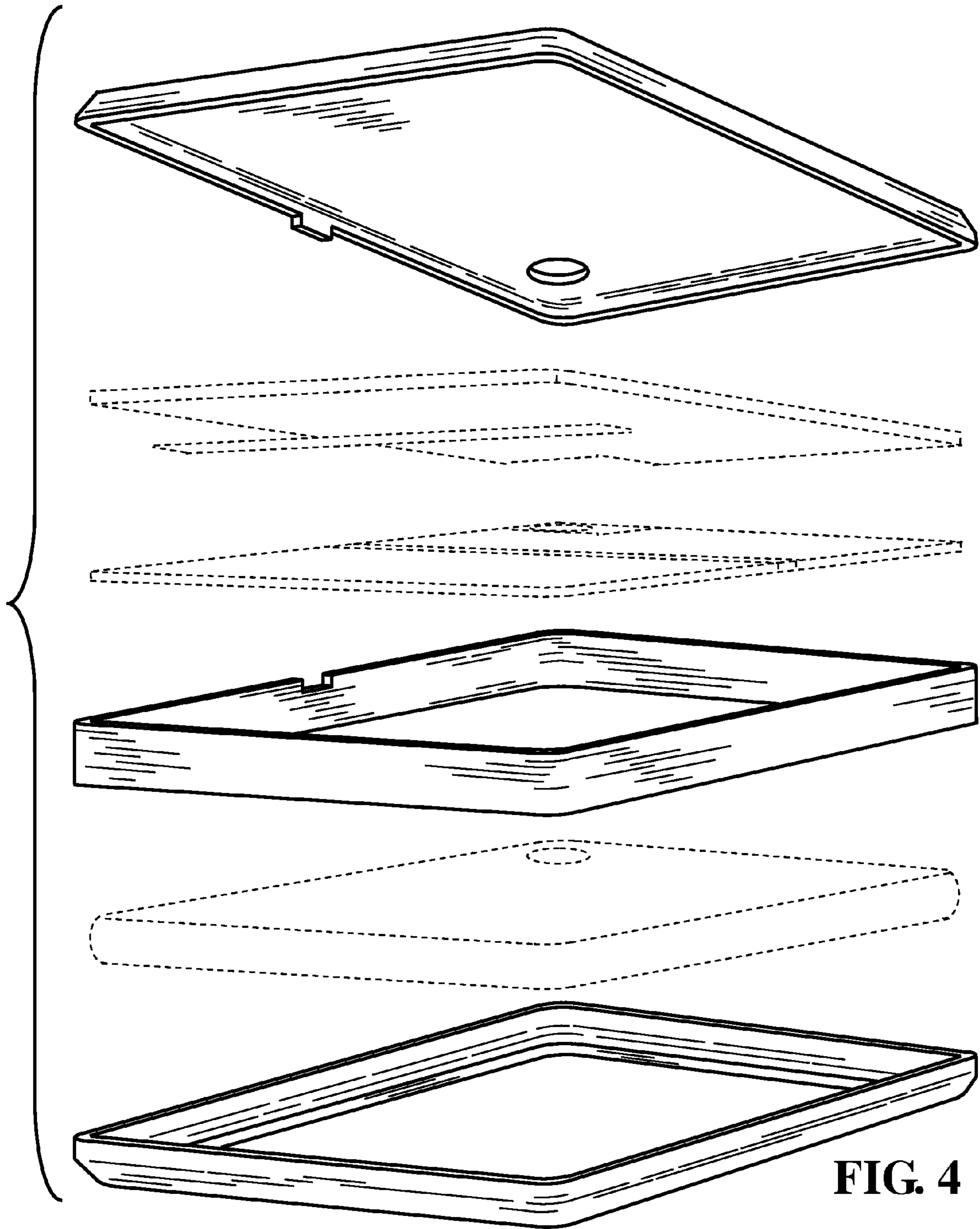


FIG. 3



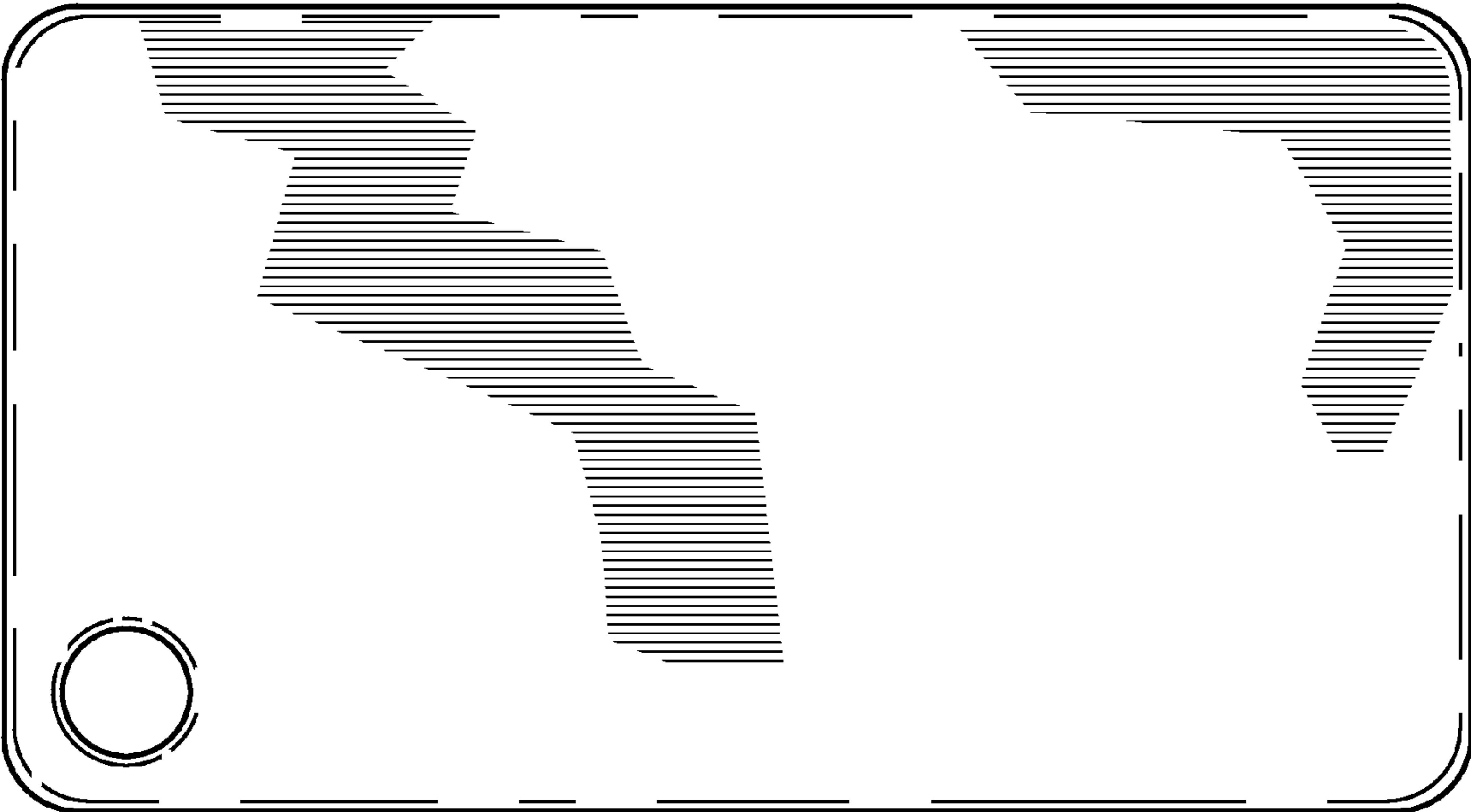


FIG. 5

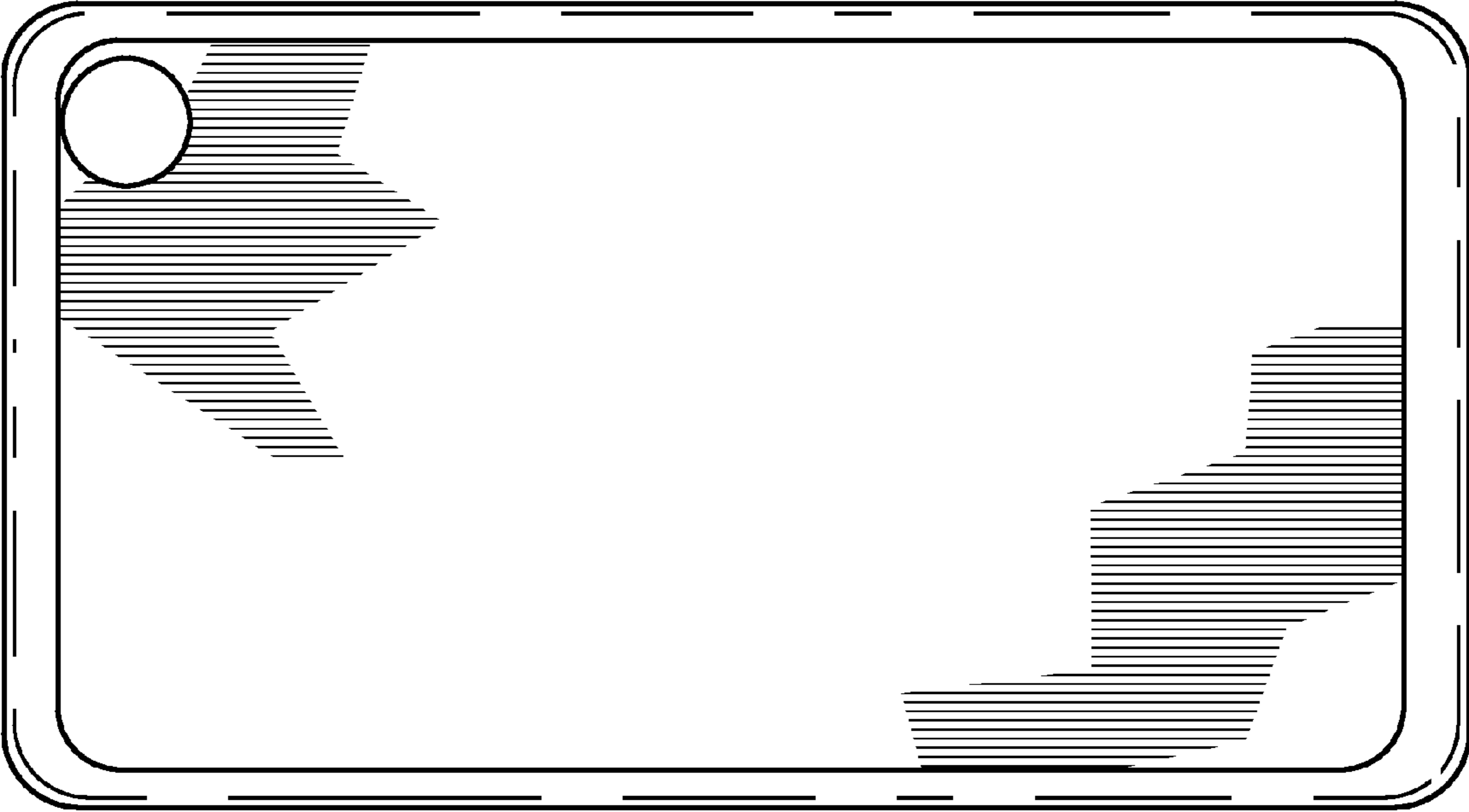


FIG. 6

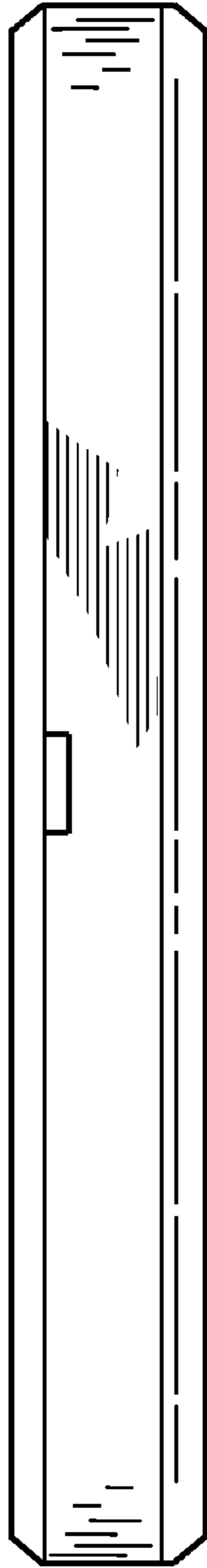


FIG. 7

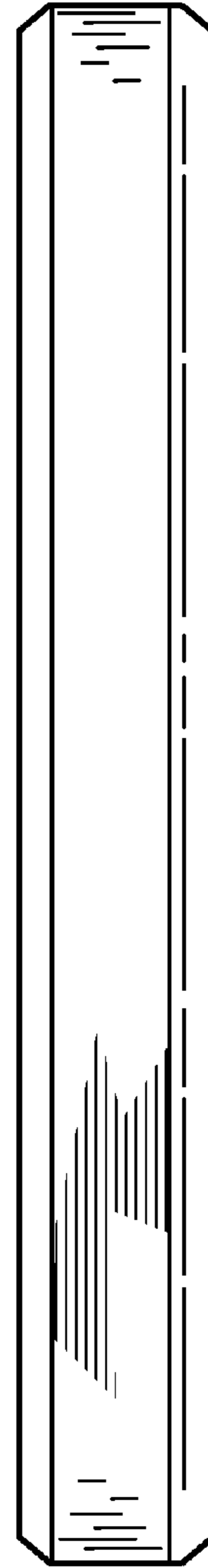


FIG. 8



FIG. 9

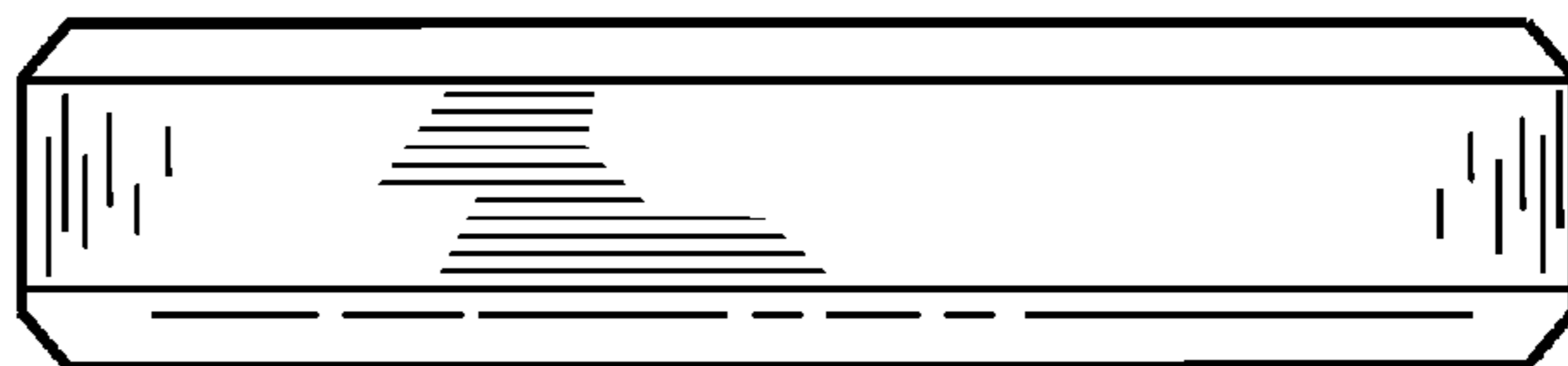


FIG. 10