



US00D624299S

(12) **United States Design Patent**
Lindow

(10) **Patent No.:** **US D624,299 S**

(45) **Date of Patent:** **** Sep. 28, 2010**

(54) **SHOE LACE ASSIST DEVICE**

(76) Inventor: **David Lindow**, Far Old Park Farm,
Ireleth Brow, Askam-in-Furness (GB)
LA16 7HD

(**) Term: **14 Years**

(21) Appl. No.: **29/343,090**

(22) Filed: **Sep. 7, 2009**

(51) **LOC (9) Cl.** **02-07**

(52) **U.S. Cl.** **D2/978**

(58) **Field of Classification Search** D2/911,
D2/912, 928, 929, 935, 943, 944, 946, 976,
D2/978; D8/356, 383; 24/68 SK, 712.2-712.4
See application file for complete search history.

(56) **References Cited**

U.S. PATENT DOCUMENTS

D172,998 S *	9/1954	Sumner	D8/383
D375,831 S *	11/1996	Perry	D2/978
5,778,498 A *	7/1998	Laks	24/625
D435,438 S *	12/2000	West	D8/383
6,839,944 B1 *	1/2005	Liu	24/712.1
D510,183 S *	10/2005	Tresser	D2/978
D556,441 S *	12/2007	Athouriste	D2/976
D566,527 S *	4/2008	Cavarsan	D8/356
D570,092 S *	6/2008	Della Valle	D2/976
D571,190 S *	6/2008	Spadotto	D8/356
2010/0018018 A1 *	1/2010	Tong	24/712.3

* cited by examiner

Primary Examiner—Stella M Reid

Assistant Examiner—Keli L Hill

(74) *Attorney, Agent, or Firm*—Schmeiser, Olsen & Watts
LLP

(57) **CLAIM**

The ornamental design for the shoe lace assist device, as described and shown.

DESCRIPTION

FIG. 1 is a first top perspective view of the shoe lace assist device;

FIG. 2 is a second top perspective view of the shoe lace assist device;

FIG. 3 is a first bottom perspective view of the shoe lace assist device;

FIG. 4 is a second bottom perspective view of the shoe lace assist device;

FIG. 5 is a front view of the shoe lace assist device;

FIG. 6 is a rear view of the shoe lace assist device;

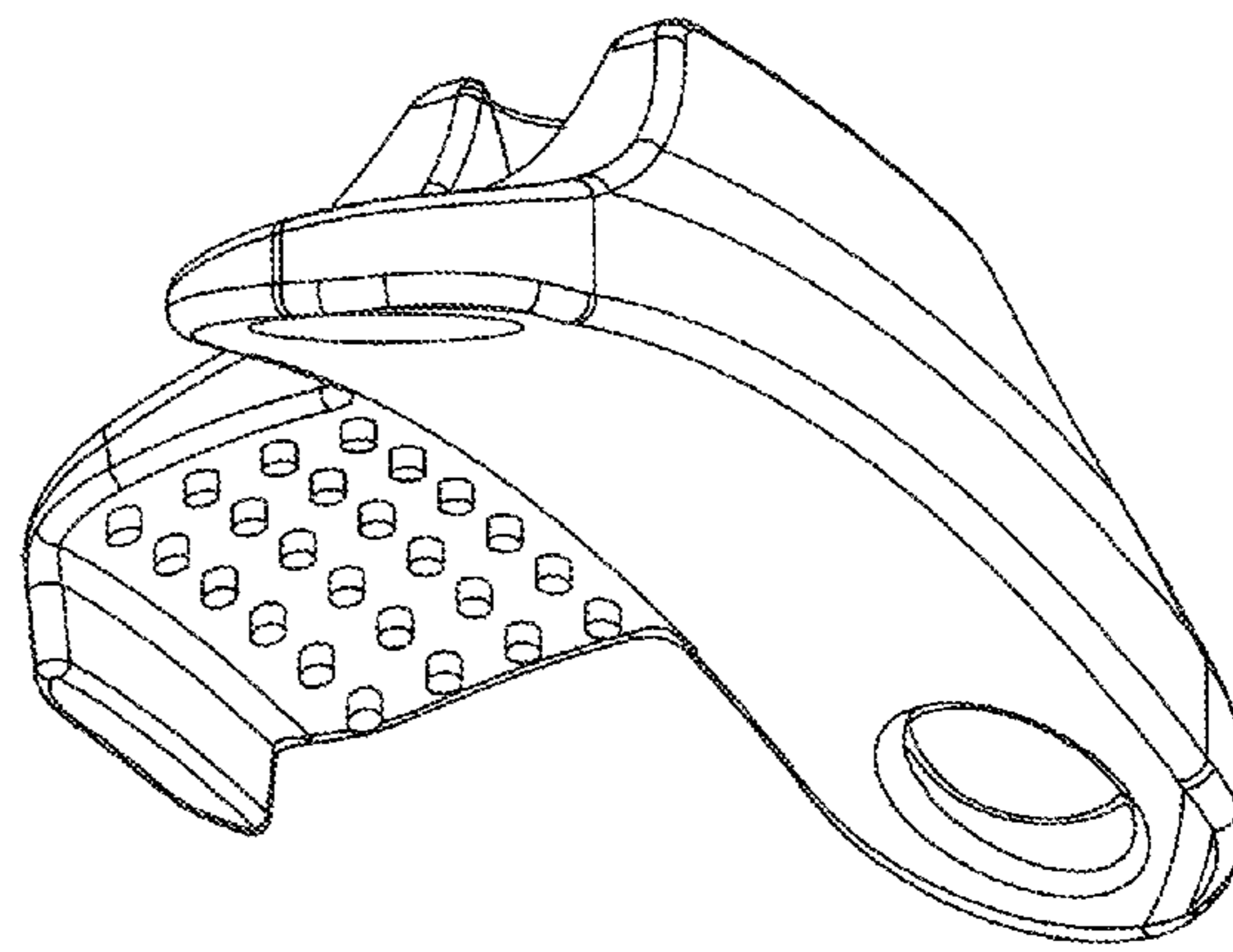
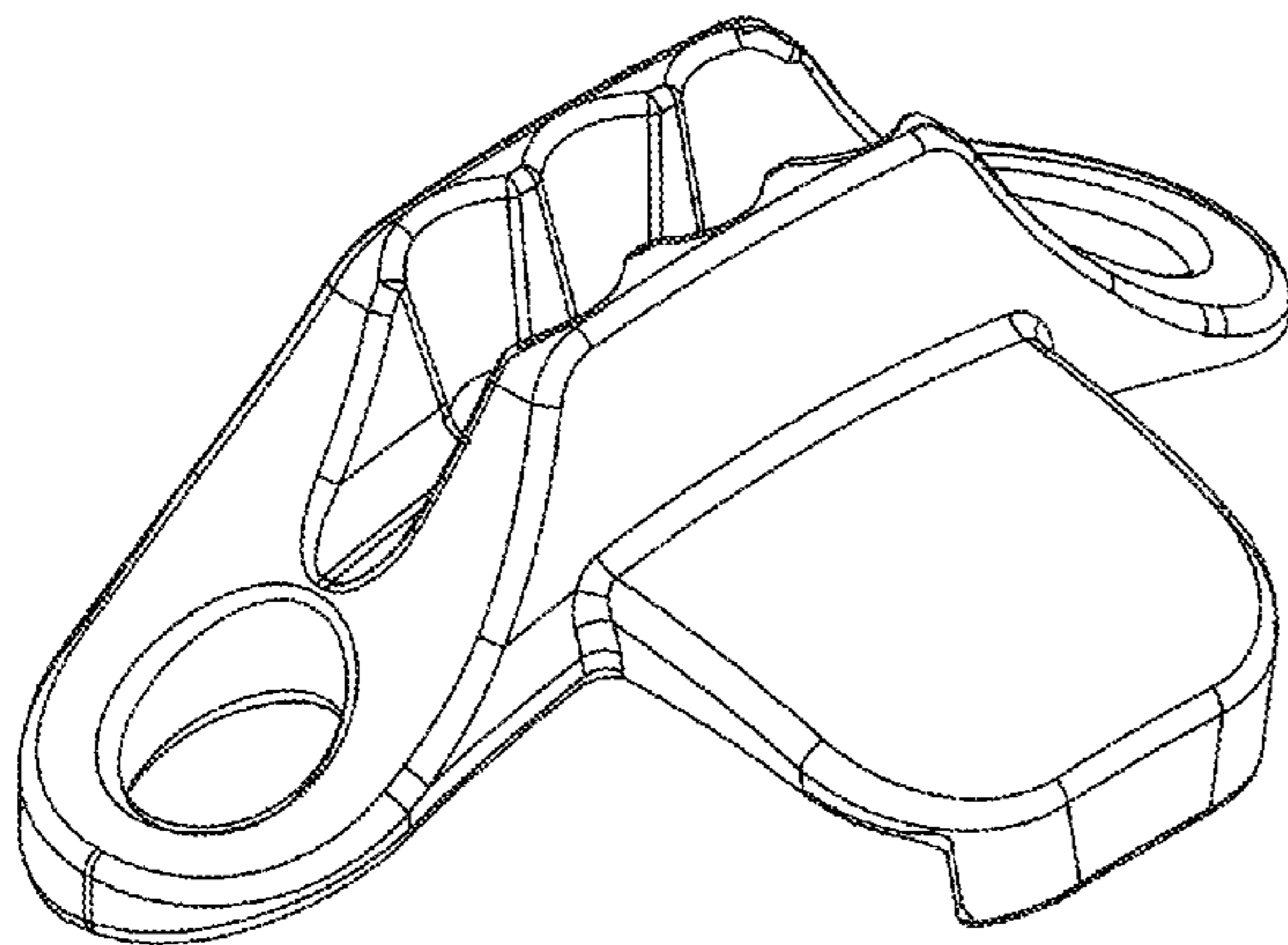
FIG. 7 is a top view of the shoe lace assist device;

FIG. 8 is a bottom view of the shoe lace assist device;

FIG. 9 is a left side view of the shoe lace assist device; and,

FIG. 10 is a right side view of the shoe lace assist device.

1 Claim, 5 Drawing Sheets



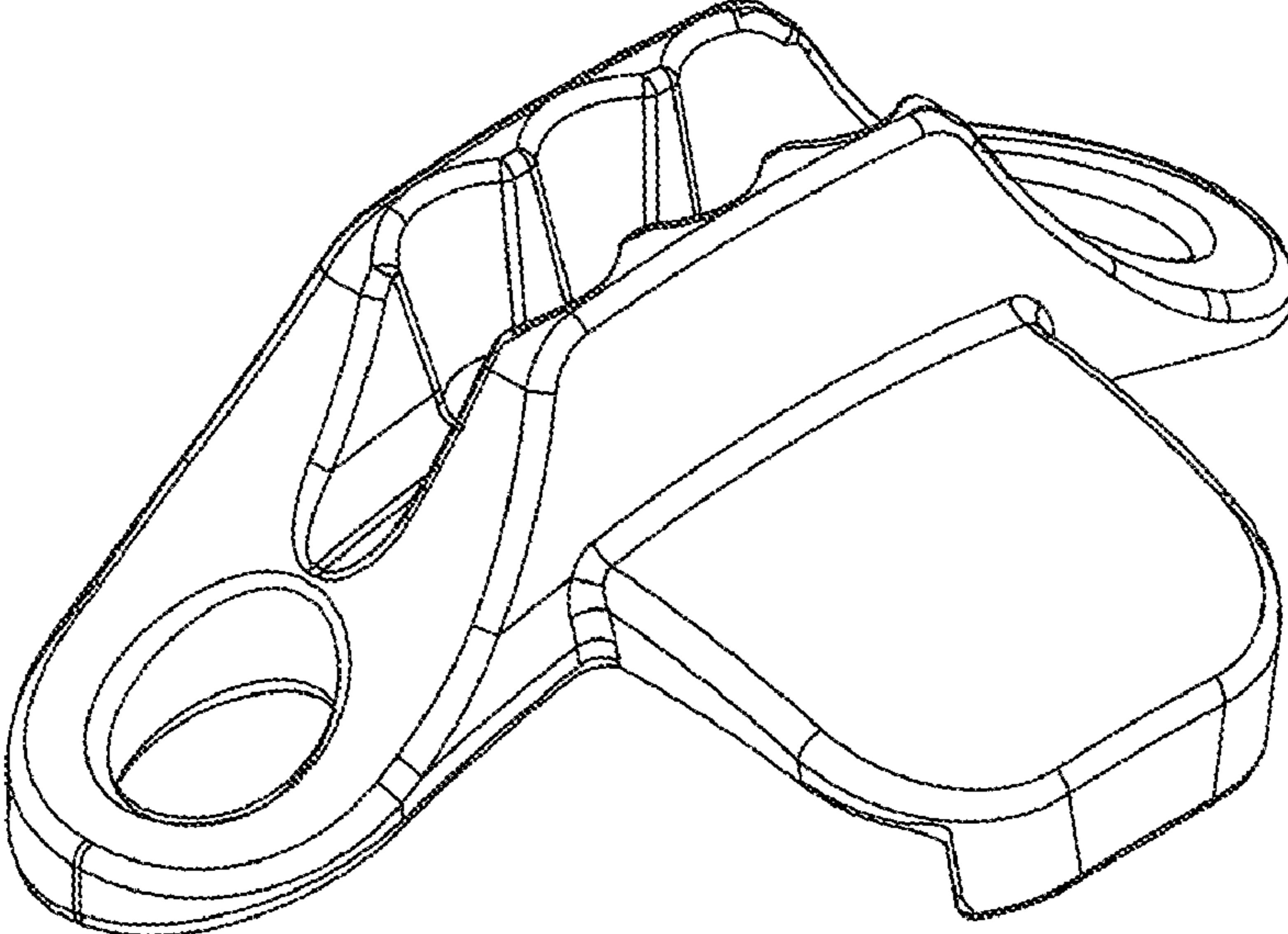


FIG. 1

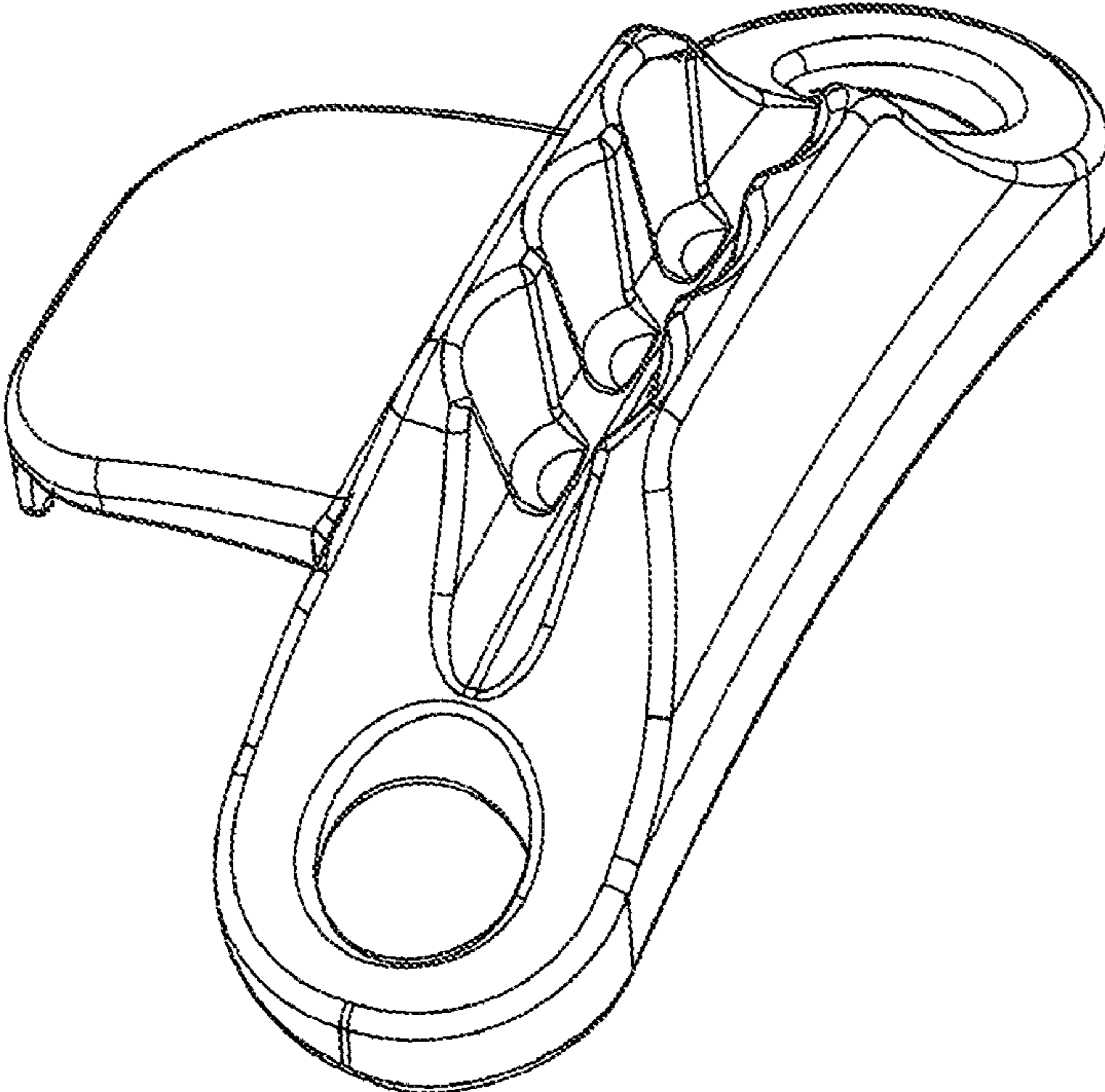


FIG. 2

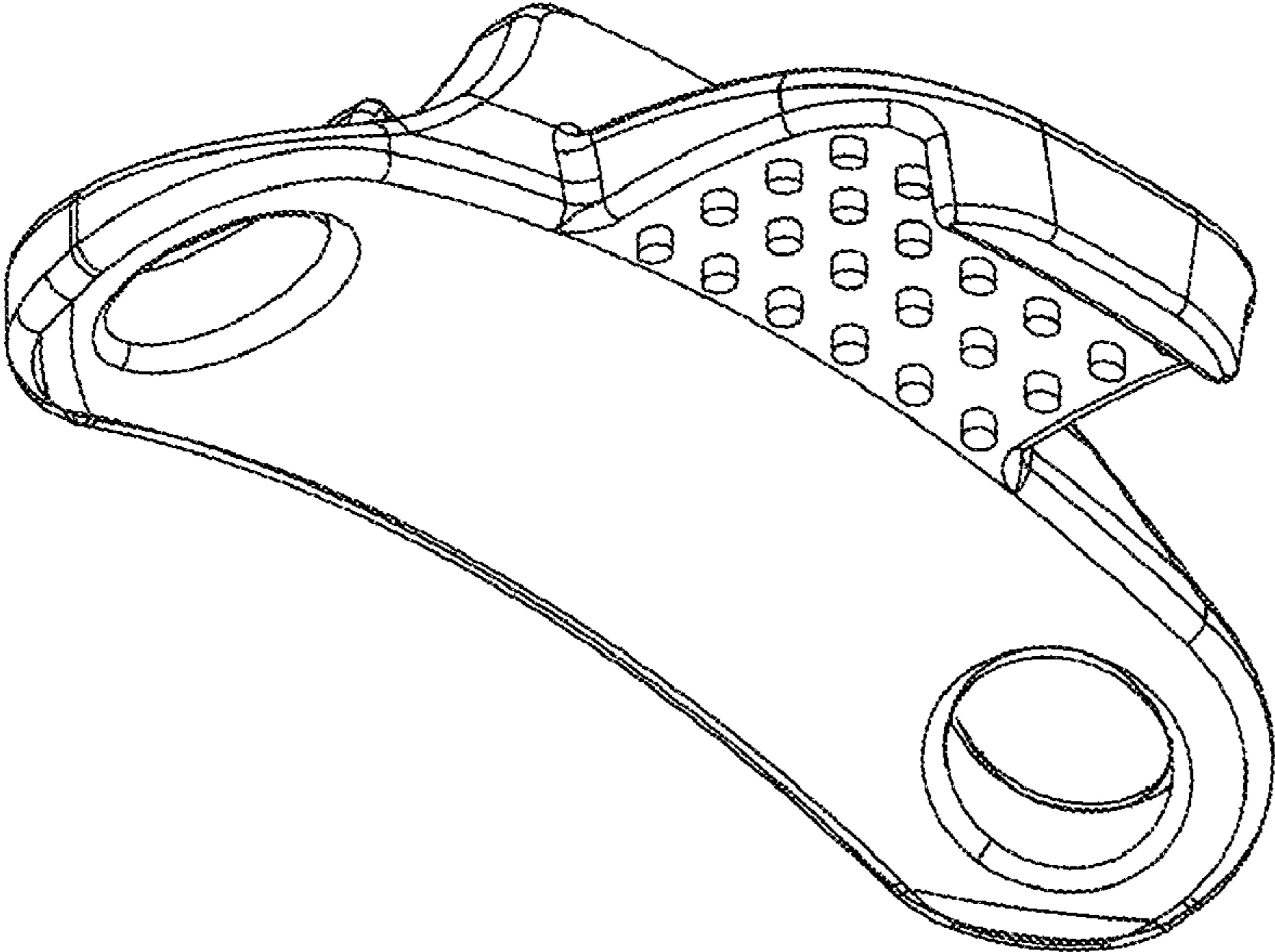


FIG. 3

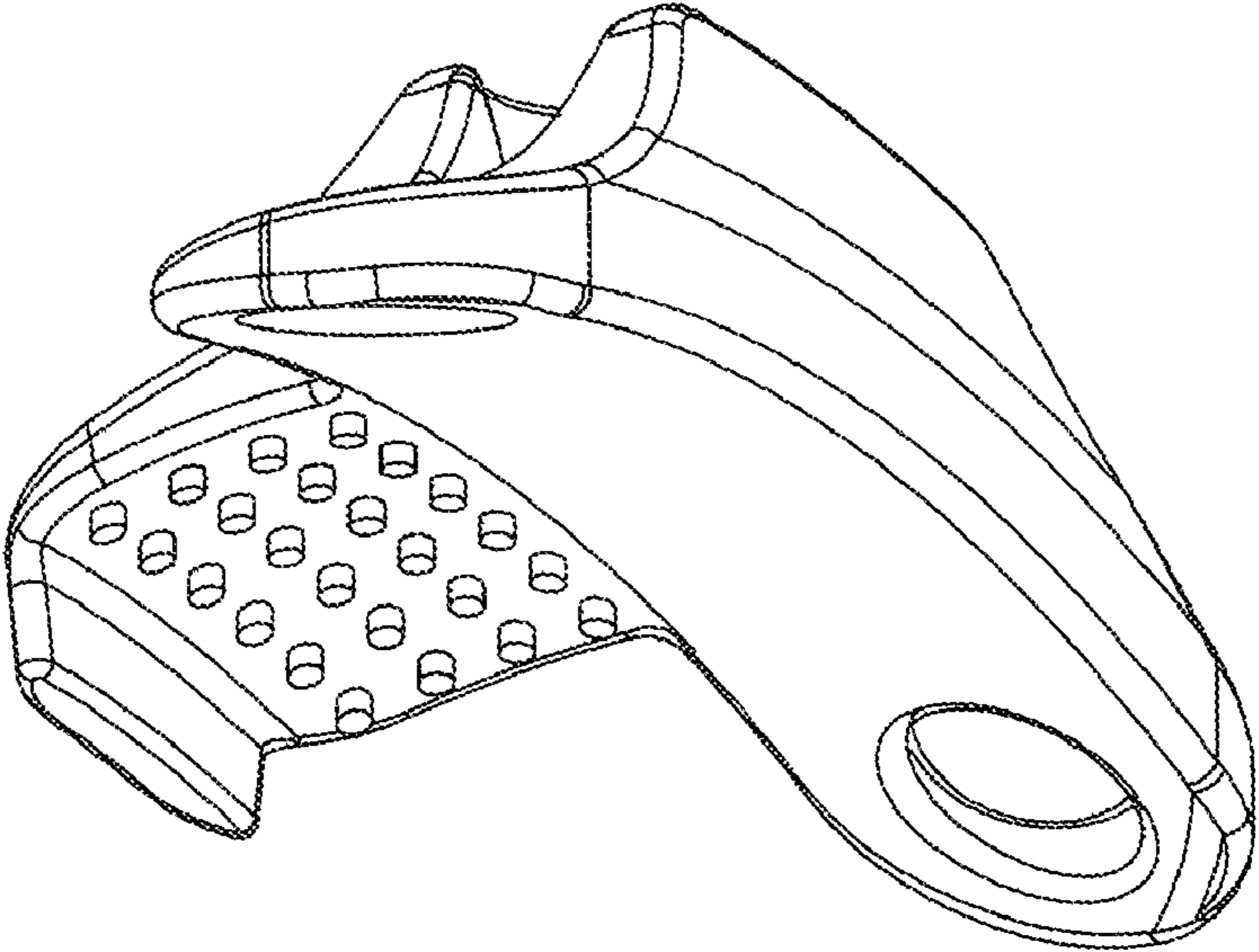


FIG. 4

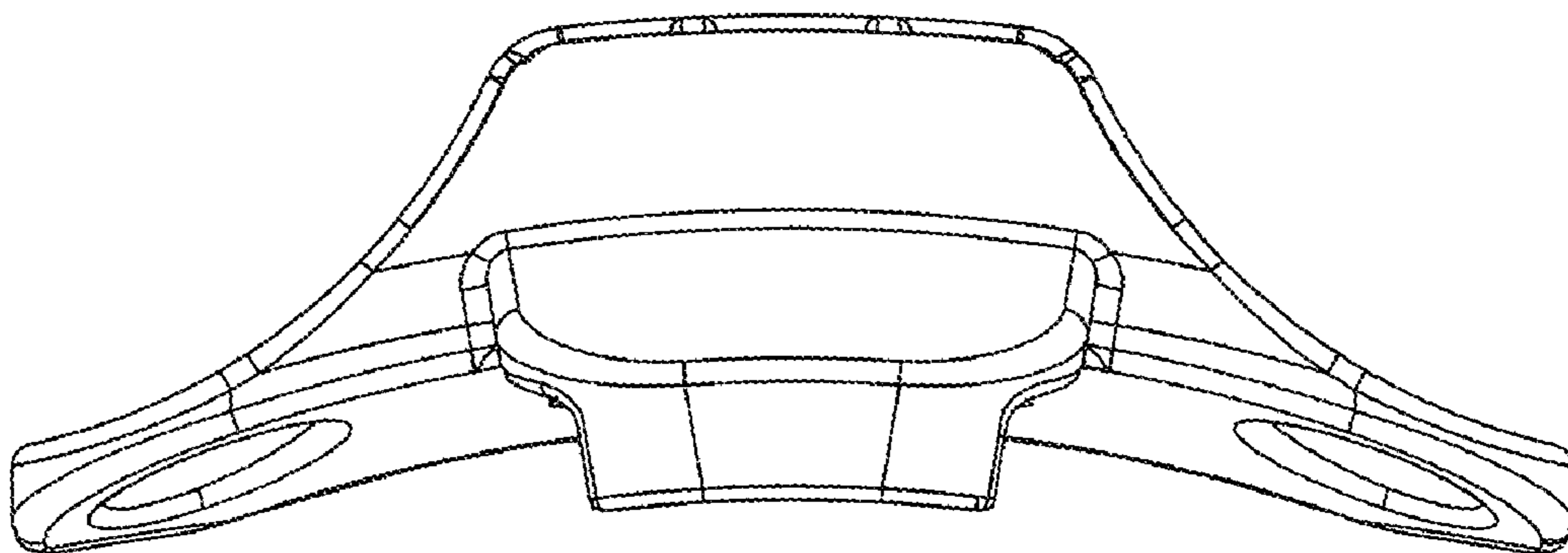


FIG. 5

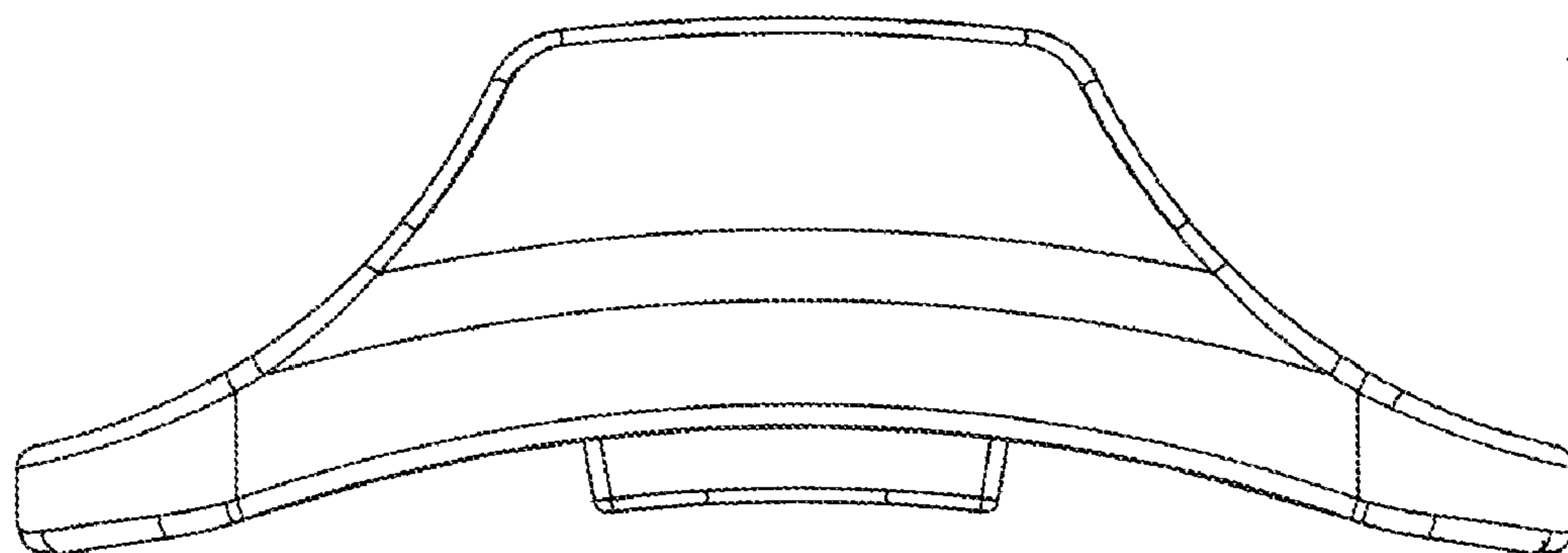


FIG. 6

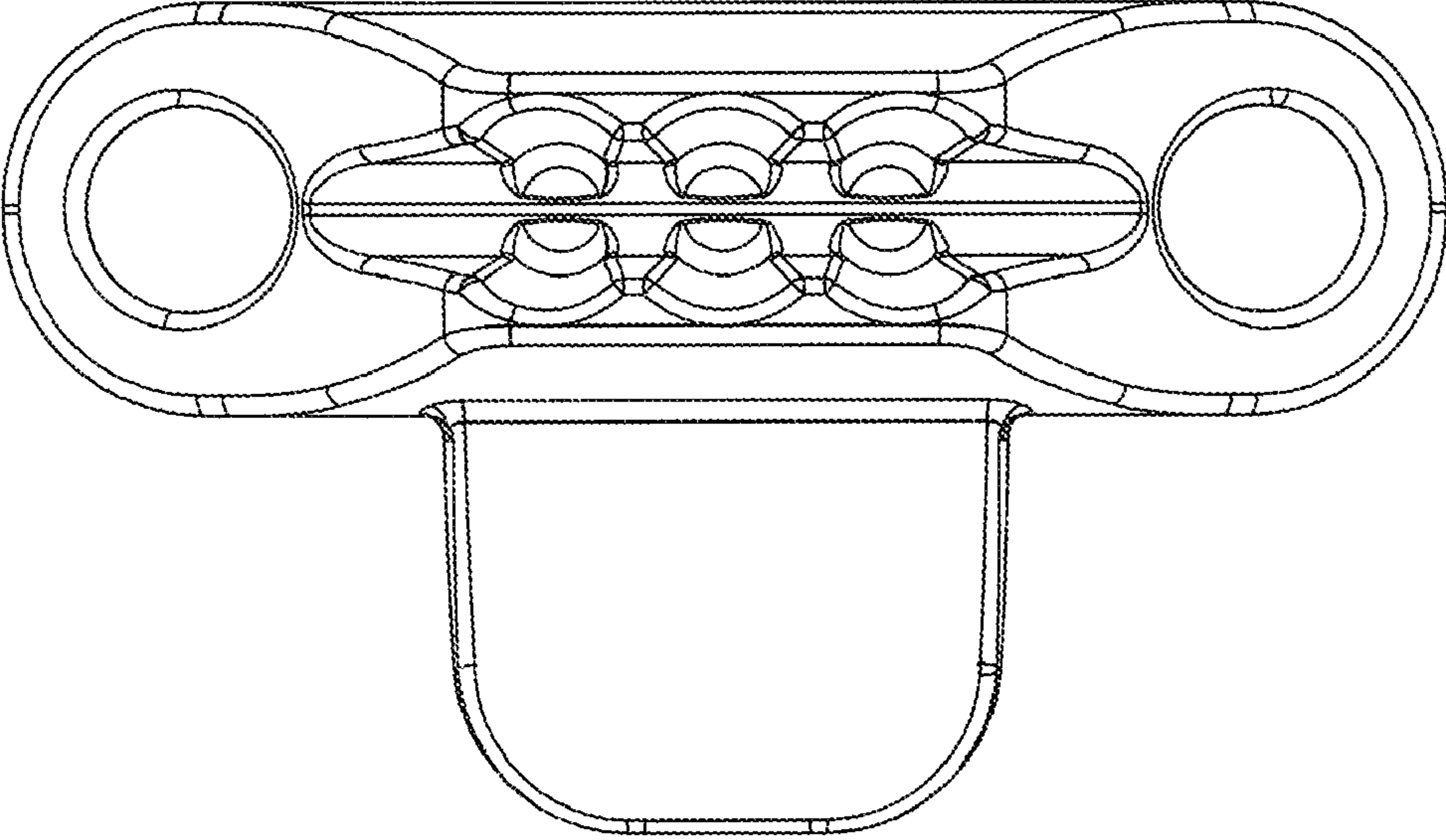


FIG. 7

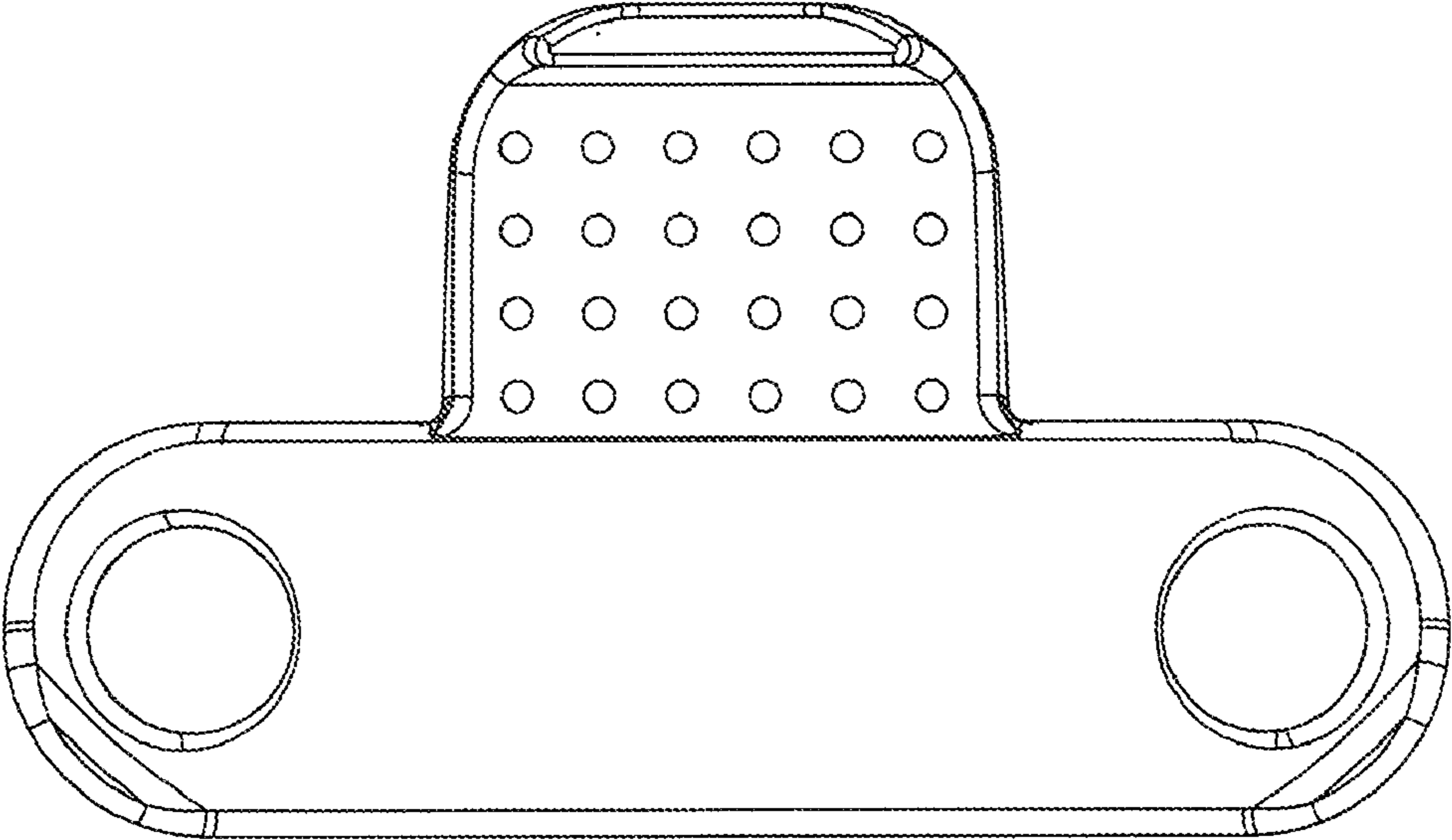


FIG. 8

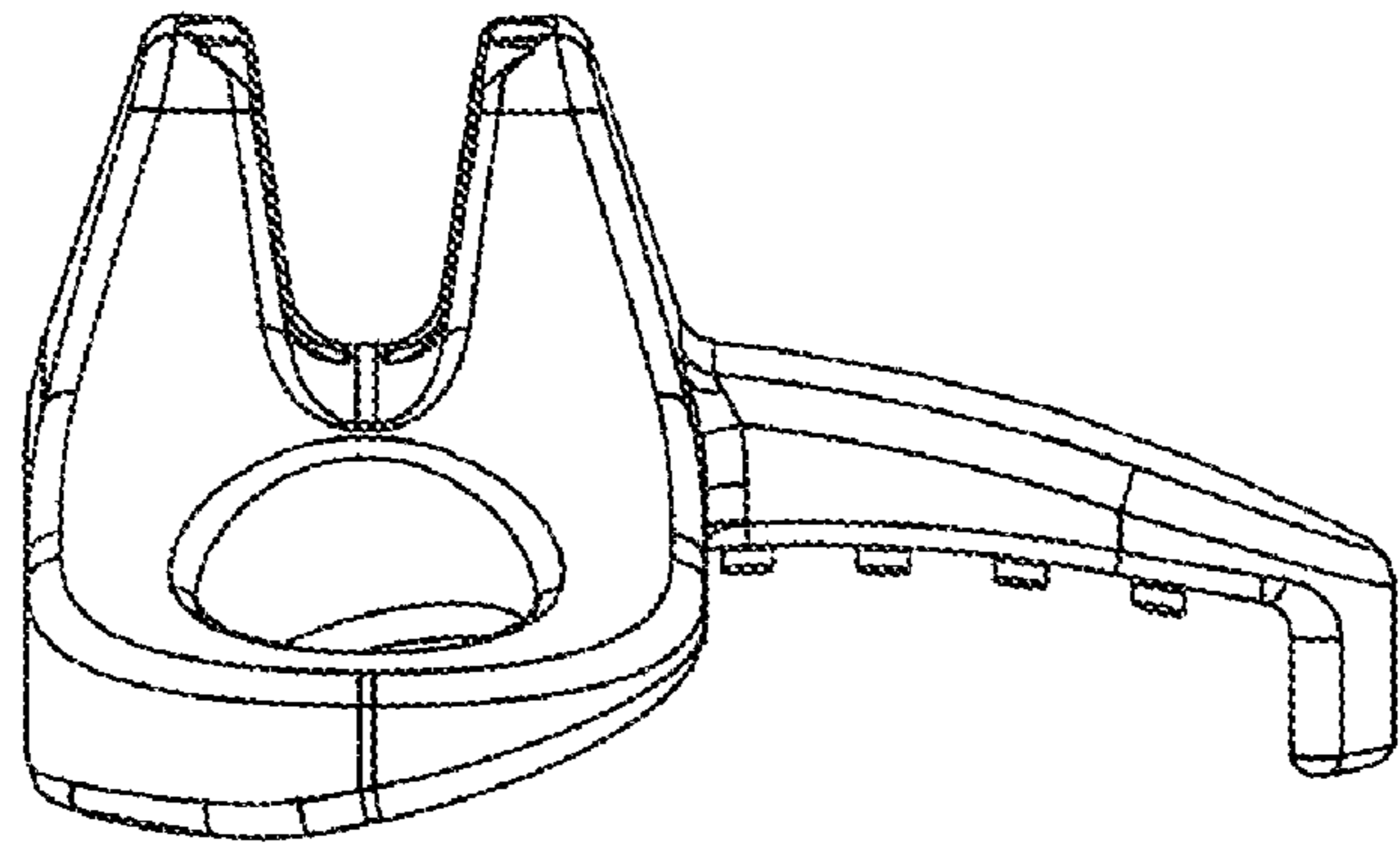


FIG. 9

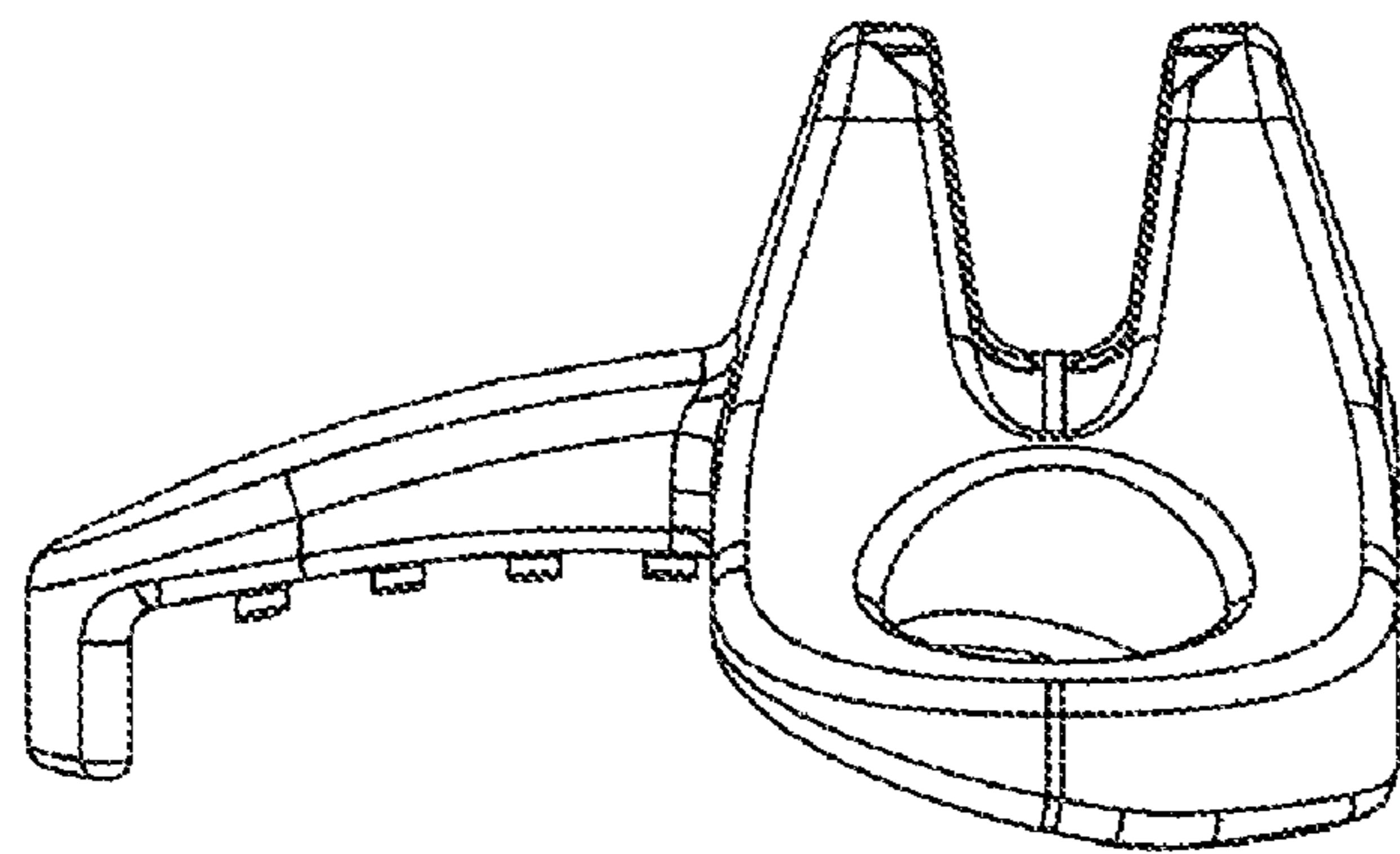


FIG. 10