



US00D624298S

(12) **United States Design Patent**
EI

(10) **Patent No.:** **US D624,298 S**

(45) **Date of Patent:** **** Sep. 28, 2010**

(54) **STATIC ELECTROMAGNETIC GROUNDING
POLE FOR SKATEBOARD FOOTWEAR**

(75) **Inventor:** **Yusef EI**, Miami, FL (US)

(73) **Assignee:** **F3M3 Companies, Inc.**, Miramar, FL (US)

(**) **Term:** **14 Years**

(21) **Appl. No.:** **29/315,035**

(22) **Filed:** **May 20, 2009**

(51) **LOC (9) Cl.** **02-07**

(52) **U.S. Cl.** **D2/976**

(58) **Field of Classification Search** D2/911,
D2/912, 928, 929, 935, 943, 944, 946, 976,
D2/978; D8/356, 383; 24/68 SK, 712.2-712.4;
D21/779

See application file for complete search history.

(56) **References Cited**

U.S. PATENT DOCUMENTS

D251,453 S *	3/1979	Kosono et al.	D21/779
D252,693 S *	8/1979	Brawner	D21/779
D256,263 S *	8/1980	Brawner	D21/779
D257,051 S *	9/1980	Chambers	D21/779
D275,336 S *	9/1984	Herdman	D2/978
D299,733 S *	2/1989	Taminich	D21/779

D367,755 S *	3/1996	Jones	D2/978
D477,648 S *	7/2003	Smith	D21/771
D566,527 S *	4/2008	Cavarsan	D8/356
7,419,168 B2 *	9/2008	Felty	280/11.223
2005/0167938 A1 *	8/2005	Chung et al.	280/87.042
2008/0179844 A1 *	7/2008	DiDomizio	280/11.27

* cited by examiner

Primary Examiner—Stella M Reid

Assistant Examiner—Keli L Hill

(74) *Attorney, Agent, or Firm*—Carol N. Green, Esq.

(57) **CLAIM**

The ornamental design for a static electromagnetic grounding for skateboard footwear, as shown and described.

DESCRIPTION

FIG. 1 is a front view of the invention.

FIG. 2 is a back view of the invention.

FIG. 3 is a top view of the invention.

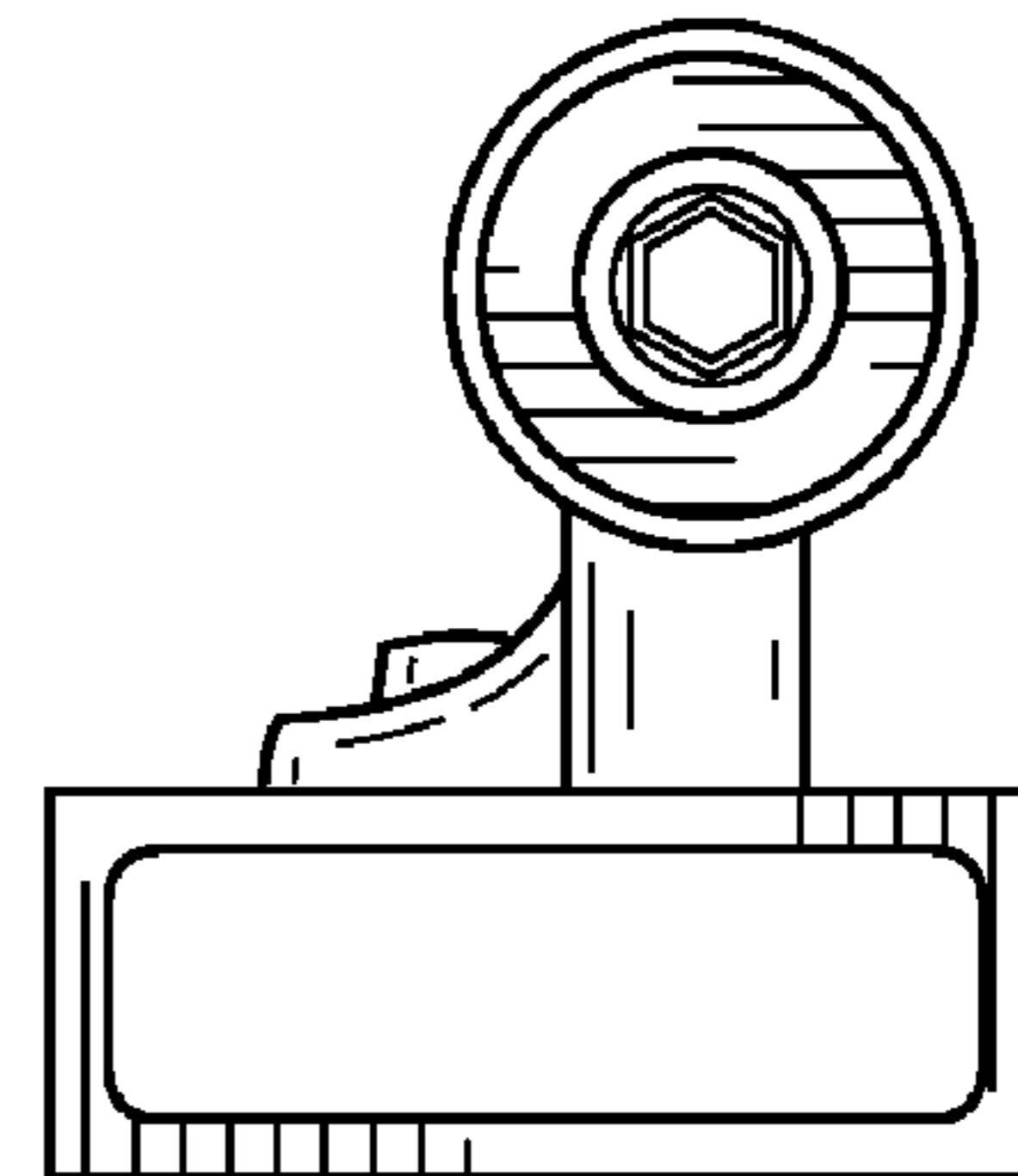
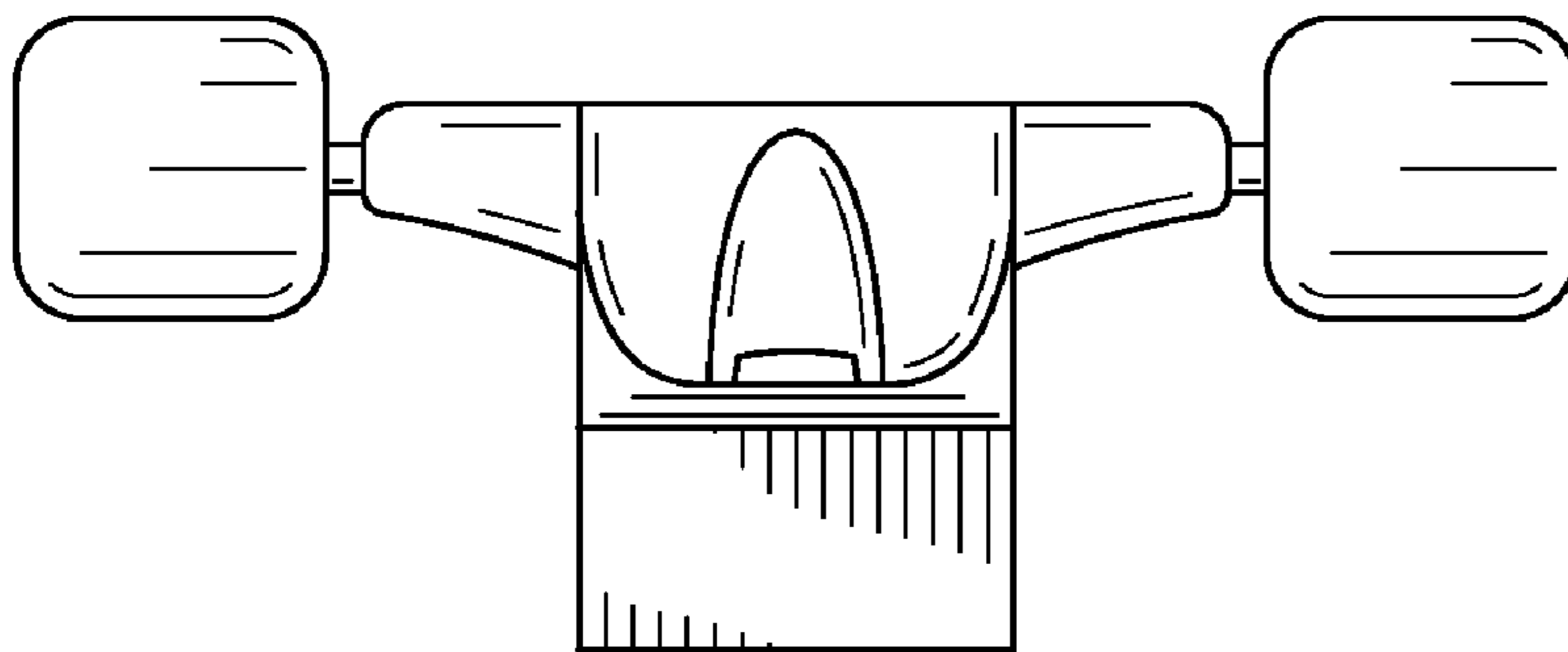
FIG. 4 is a bottom view of the invention.

FIG. 5 is a side view of the invention; and,

FIG. 6 is a side view of the invention as attached to a shoe.

The broken line showing of the shoe is included for the purpose of illustrating environment and forms no part of the claimed design.

1 Claim, 2 Drawing Sheets



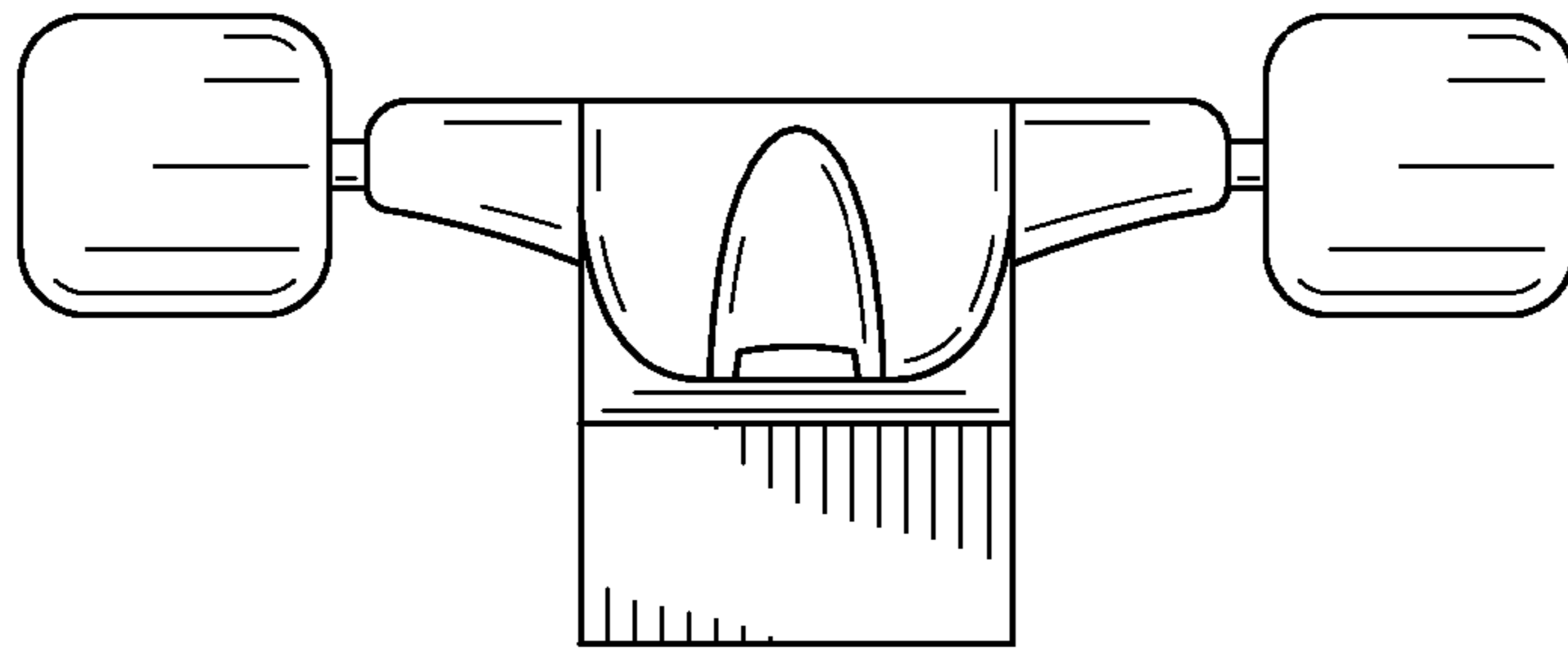


FIG. 1

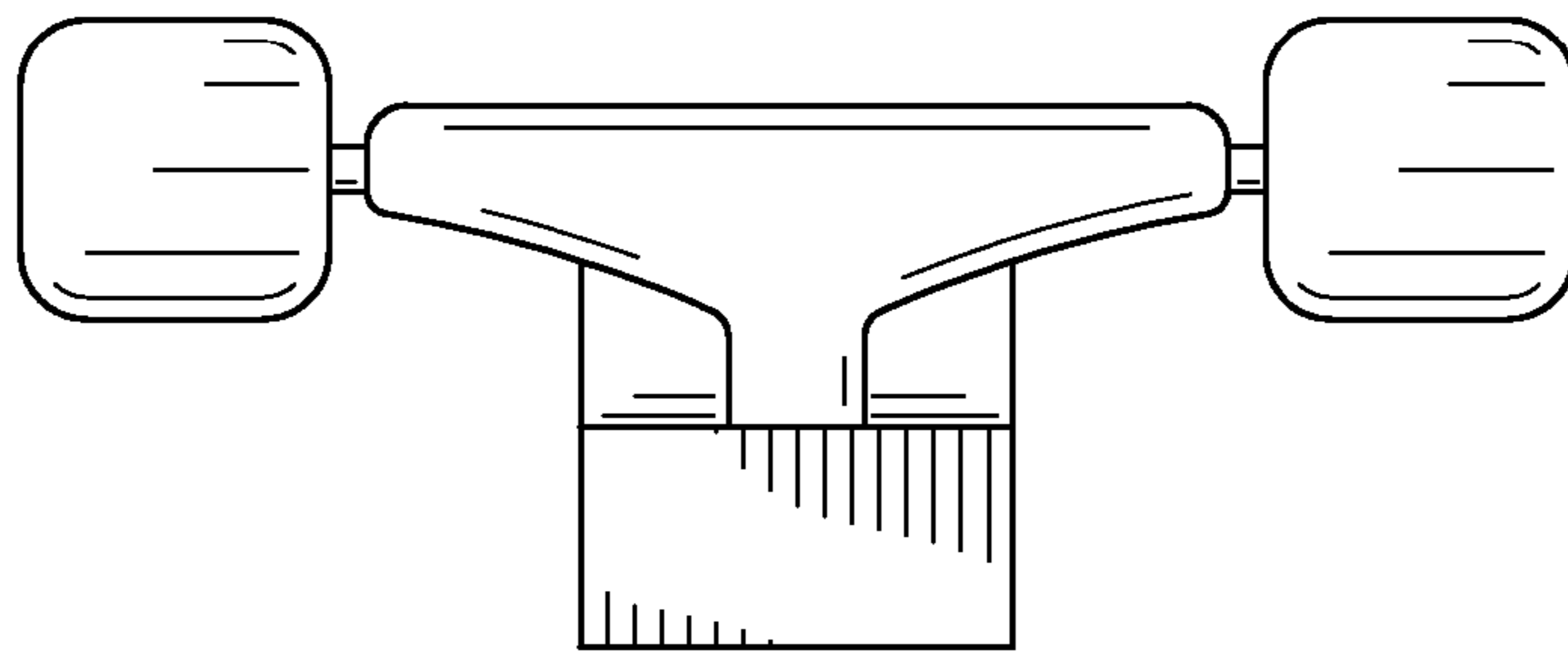


FIG. 2

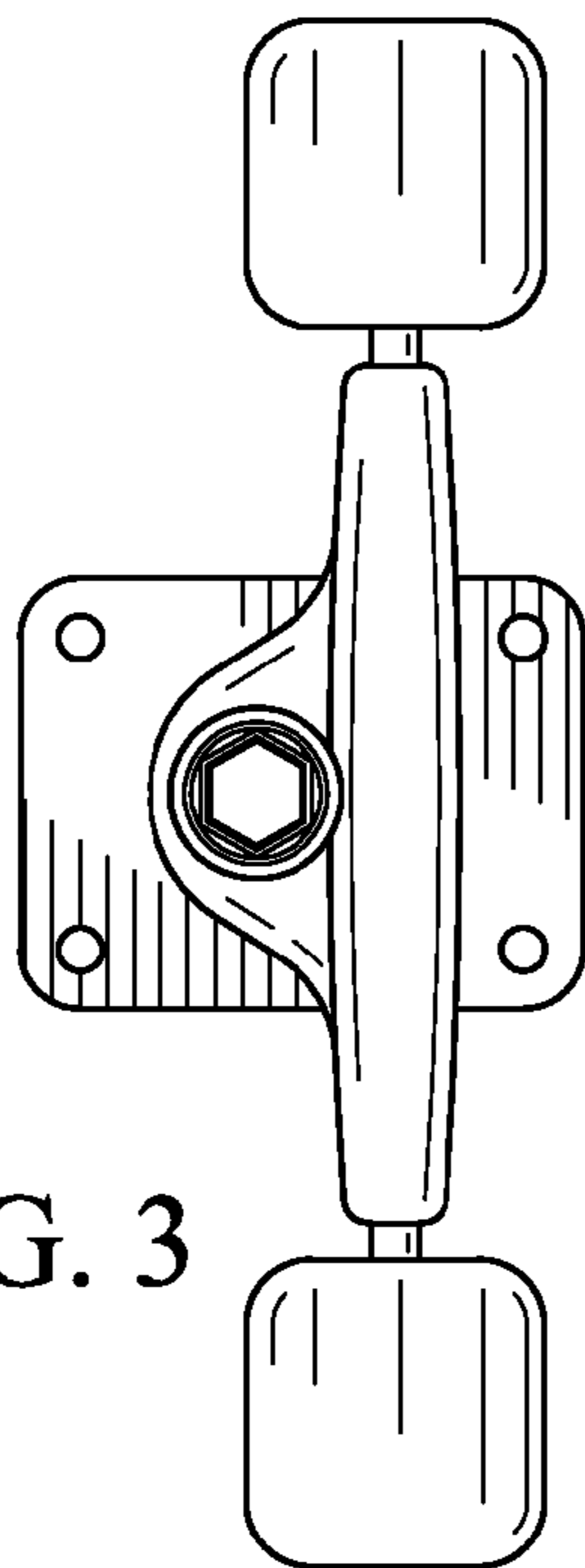


FIG. 3

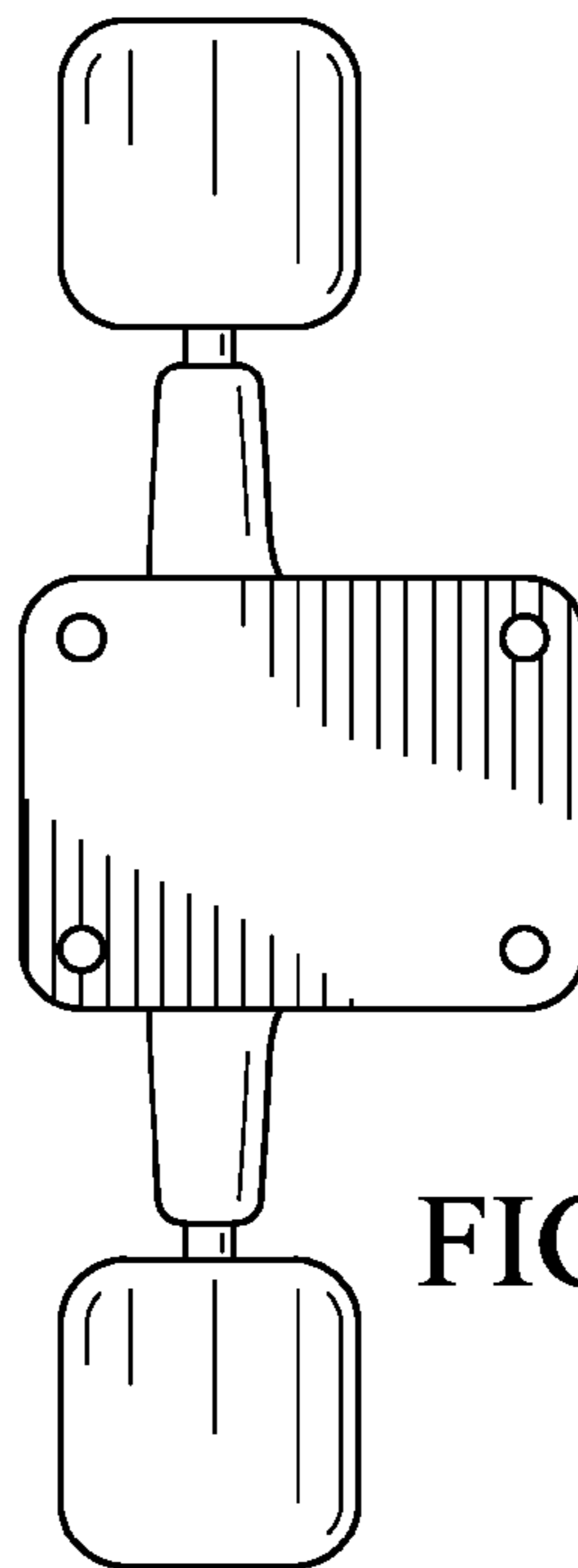


FIG. 4

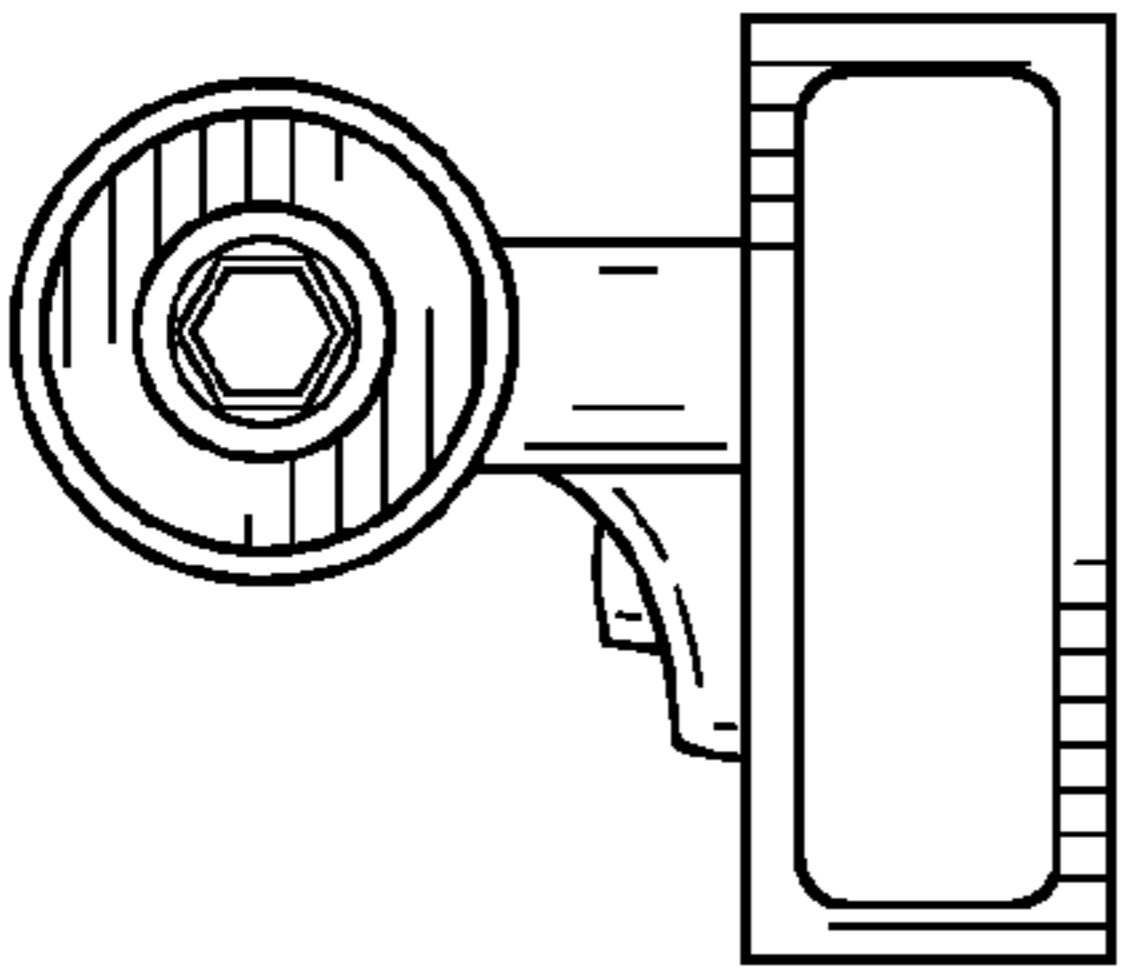


FIG. 5

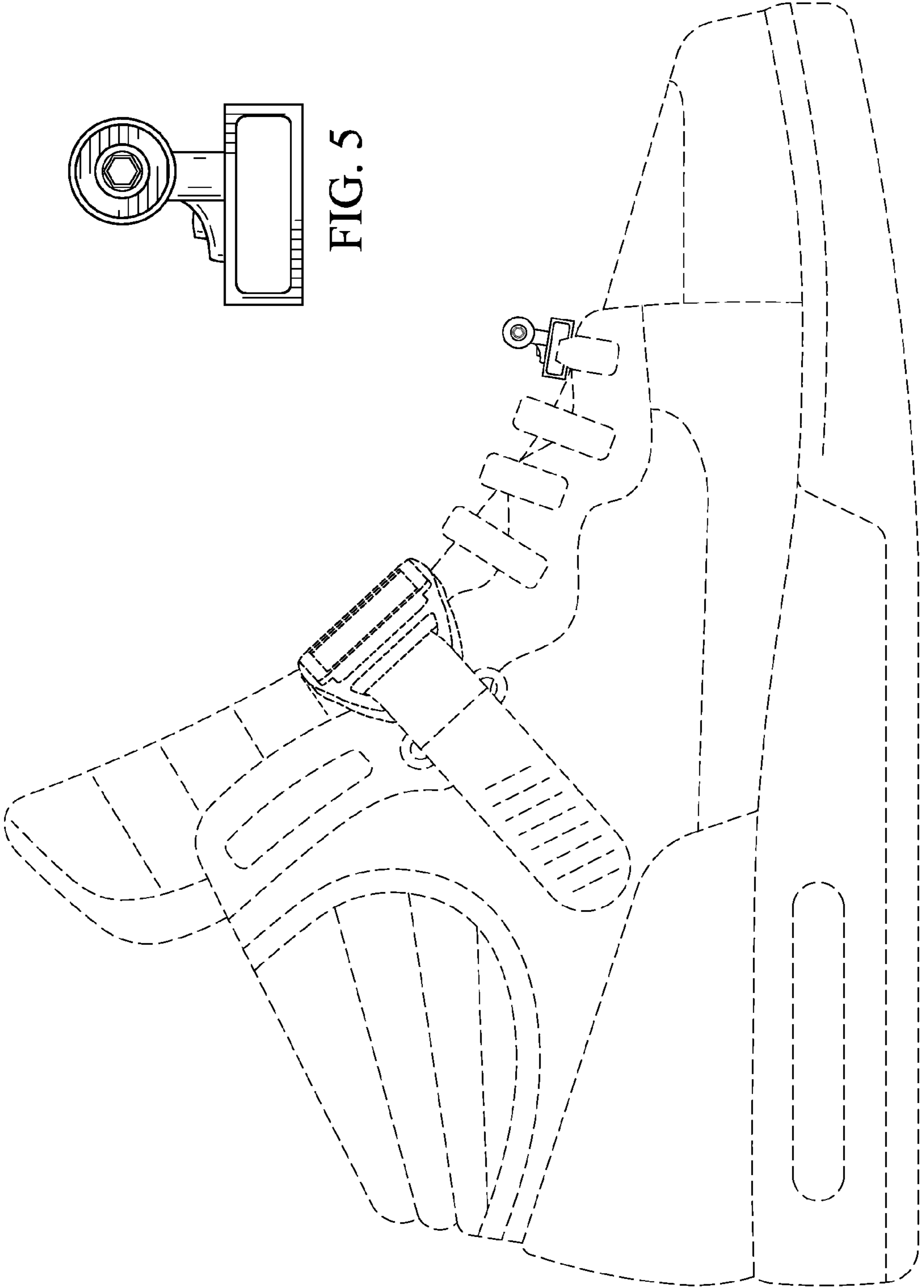


FIG. 6