



US00D624287S

(12) **United States Design Patent**
Shamchander

(10) **Patent No.:** **US D624,287 S**

(45) **Date of Patent:** **** Sep. 28, 2010**

(54) **BILLED CAP SHAPE MAINTAINING DEVICE**

(76) **Inventor:** **Vickram Shamchander**, 62 Keefe St.,
Waterbury, CT (US) 06706

(**) **Term:** **14 Years**

(21) **Appl. No.:** **29/357,021**

(22) **Filed:** **Mar. 5, 2010**

(51) **LOC (9) Cl.** **02-03**

(52) **U.S. Cl.** **D2/892**

(58) **Field of Classification Search** D2/865,
D2/866, 892; D3/269; D29/109; D32/58;
2/12, 171, 195.5, 209.13; 206/8; 223/12,
223/14, 23, 24, 25, 66, 84

See application file for complete search history.

(56) **References Cited**

U.S. PATENT DOCUMENTS

294,745	A *	3/1884	Ryder	223/14
1,401,758	A *	12/1921	Carleton	2/12
1,667,415	A *	4/1928	Davidson	2/175.5
RE17,268	E *	4/1929	Davidson	2/175.1
2,038,698	A *	4/1936	Wolkenhauer	223/25
D153,212	S *	3/1949	Geran et al.	D29/109
3,167,785	A *	2/1965	Uhl	2/174
3,374,299	A *	3/1968	Peham	264/45.1
D266,795	S *	11/1982	Gronborg	D29/109
4,491,256	A *	1/1985	Payne et al.	223/24
5,012,531	A	5/1991	Schoonover		
5,161,719	A	11/1992	Otteson et al.		
5,172,837	A *	12/1992	Finney et al.	223/23
D333,366	S *	2/1993	Brown	D29/109
D371,071	S *	6/1996	Ford	D9/415
5,647,064	A	7/1997	Whittaker		
D387,541	S *	12/1997	Kellman et al.	D2/871
5,725,134	A	3/1998	Weltge		
D402,808	S	12/1998	Deloach		
D403,492	S *	1/1999	Tseng	D2/893
5,865,333	A	2/1999	Wolfe		
5,884,335	A	3/1999	Whittaker		
D419,750	S *	2/2000	Bazin	D2/876

6,125,997	A	10/2000	Campbell		
6,311,879	B1	11/2001	Rigler et al.		
6,968,985	B1 *	11/2005	Caccavallo	223/24
D513,835	S	1/2006	Robinson		
D525,428	S	7/2006	Bryant		
D531,784	S *	11/2006	Snyder et al.	D2/891
7,343,630	B2 *	3/2008	Lee	2/175.6
7,431,472	B2 *	10/2008	Becker	362/106
2007/0199833	A1 *	8/2007	Hunt	206/8

* cited by examiner

Primary Examiner—Elizabeth A Albert

Assistant Examiner—Karen E Eldridge Powers

(74) *Attorney, Agent, or Firm*—Montgomery Patent and Design; Joseph T. Yaksich; Robert C. Montgomery

(57) **CLAIM**

The ornamental design for a billed cap shape maintaining device, as shown and described.

DESCRIPTION

FIG. 1 is a front perspective view of a billed cap shape maintaining device depicted in an in-use state, showing my new design;

FIG. 2 is a front exploded view of the billed cap shape maintaining device;

FIG. 3 is a front view of the billed cap shape maintaining device;

FIG. 4 is a rear view thereof;

FIG. 5 is a left side view thereof;

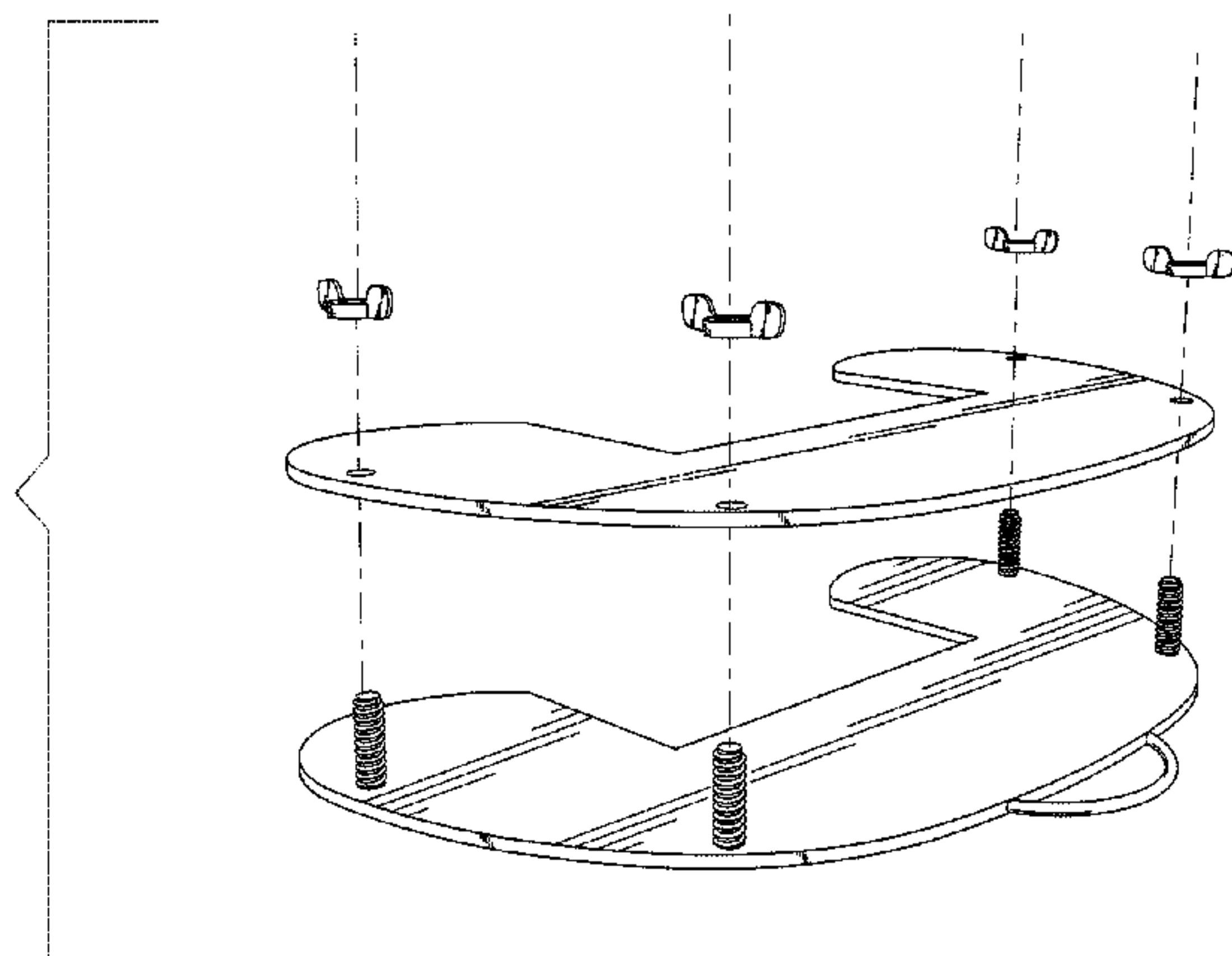
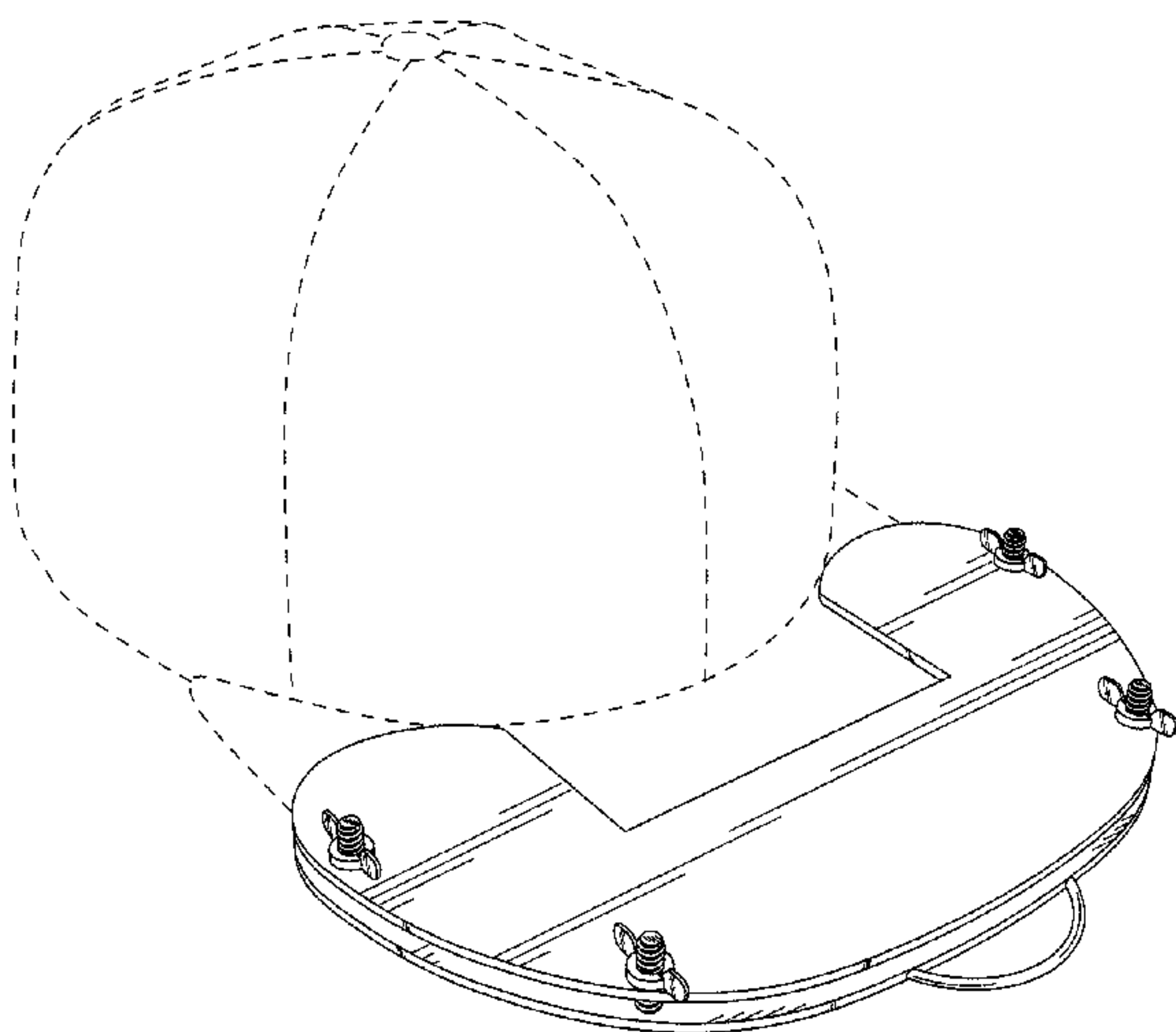
FIG. 6 is a right side view thereof;

FIG. 7 is a top view thereof; and,

FIG. 8 is a bottom view thereof.

The long-short-long broken lines shown in FIG. 2 indicate the orientation of the components with regard to one another, and form no part of the claimed design. The uniform segmented broken lines in FIG. 1 illustrate the environment in which the article is used and form no part of the claim.

1 Claim, 6 Drawing Sheets



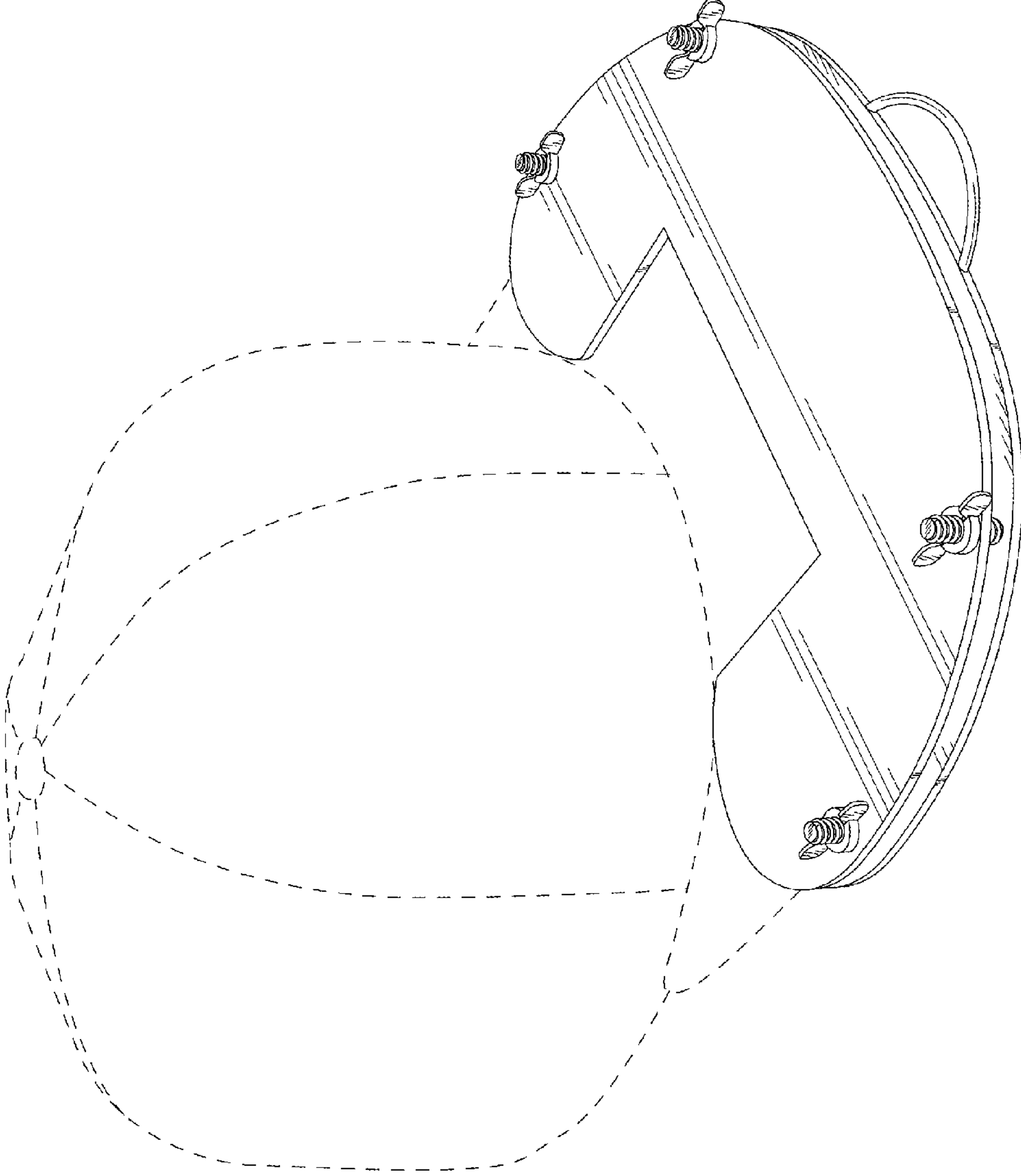


Fig. 1

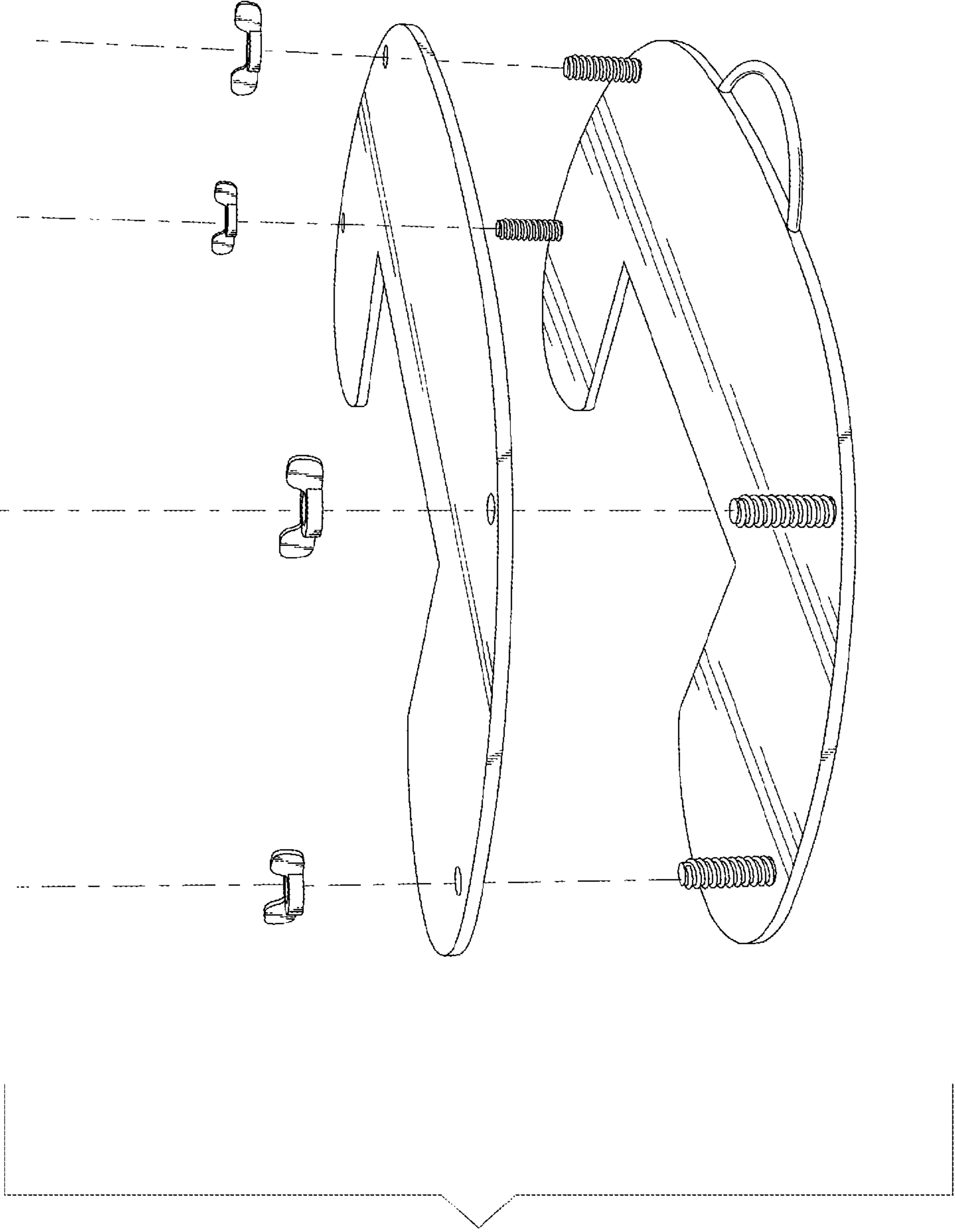


Fig. 2

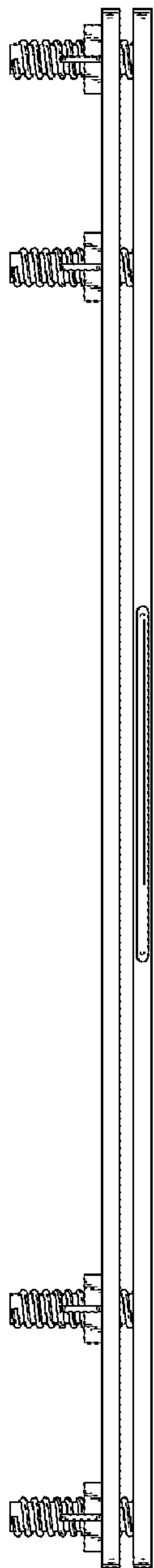


Fig. 3

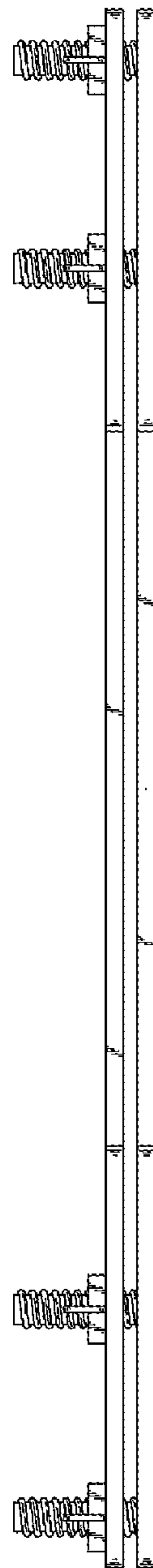


Fig. 4



Fig. 5

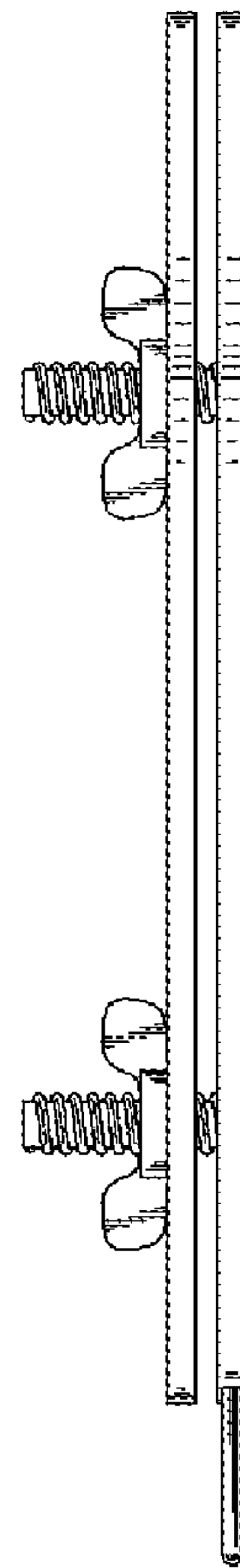


Fig. 6

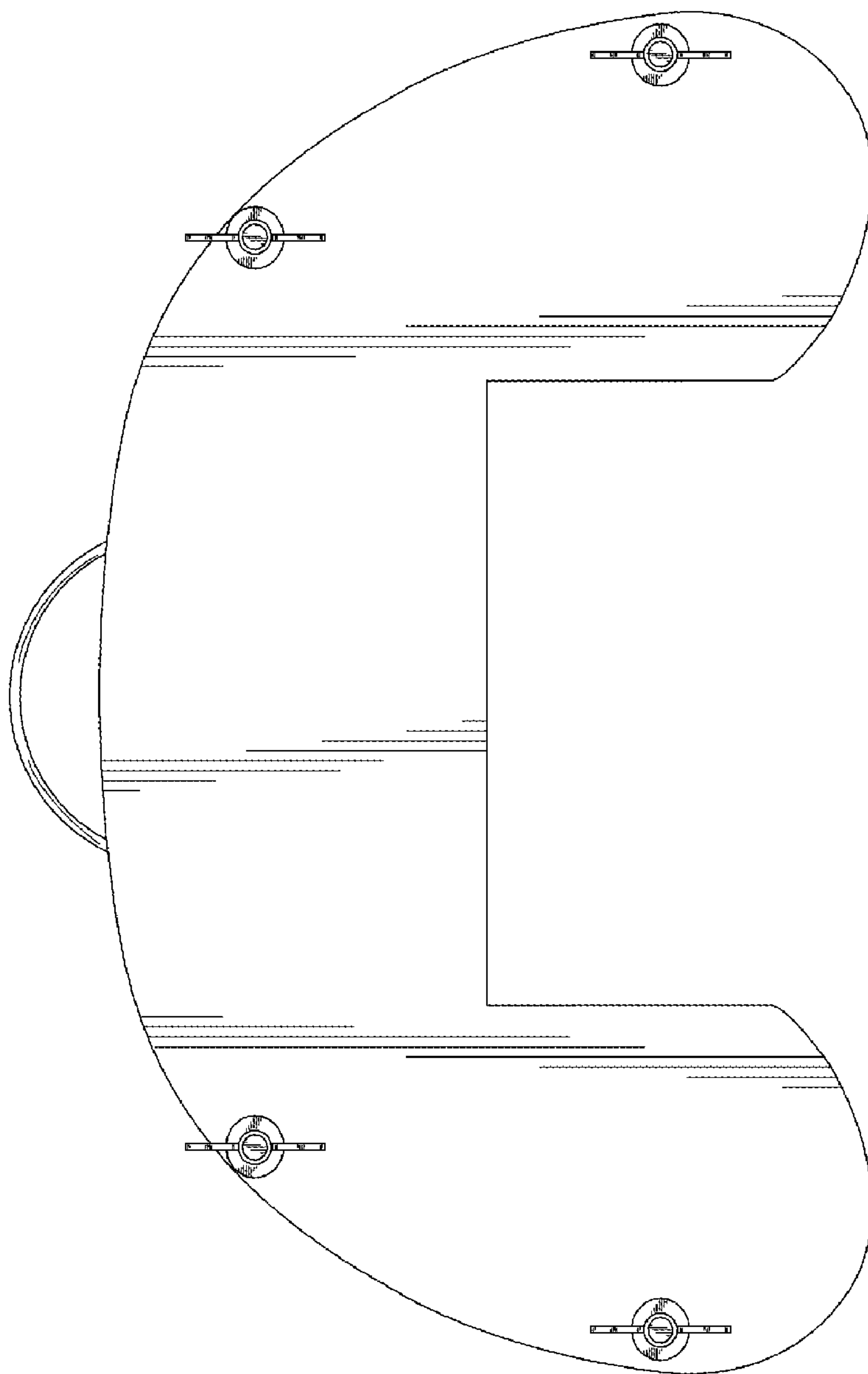


Fig. 7

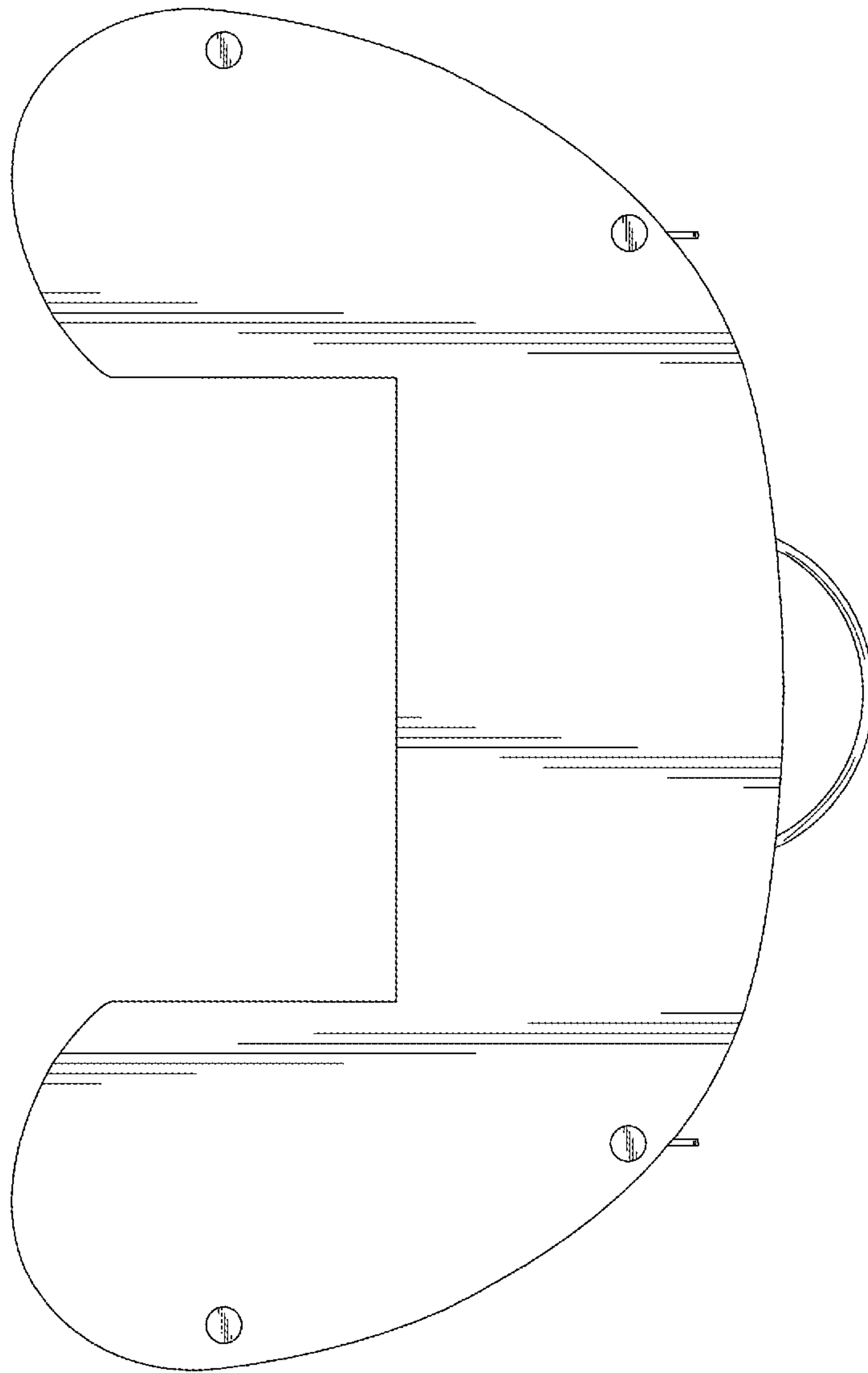


Fig. 8