



US00D624281S

(12) **United States Design Patent**  
**Richardson, Jr.**

(10) **Patent No.:** **US D624,281 S**  
(45) **Date of Patent:** **\*\* Sep. 28, 2010**

(54) **PANTS WITH CARGO STYLE POCKETS**

(76) Inventor: **Nathaniel Richardson, Jr.**, 8511  
Timberwolf St., San Antonio, TX (US)  
78242

(\*\*) Term: **14 Years**

(21) Appl. No.: **29/346,107**

(22) Filed: **Oct. 27, 2009**

(51) **LOC (9) Cl.** ..... **02-02**

(52) **U.S. Cl.** ..... **D2/742**

(58) **Field of Classification Search** ..... D2/712,  
D2/731, 732, 738, 742; 2/79, 80, 83, 227,  
2/228, 236-238, 919

See application file for complete search history.

(56) **References Cited**

**U.S. PATENT DOCUMENTS**

- 5,634,215 A \* 6/1997 DeBaene ..... 2/227
- D381,490 S \* 7/1997 Torres ..... D2/742
- D411,907 S \* 7/1999 Kling ..... D2/742
- D473,694 S \* 4/2003 Lyden ..... D2/742
- D475,836 S \* 6/2003 Rohach ..... D2/742
- D536,157 S \* 2/2007 Kimmel ..... D2/742
- D580,629 S \* 11/2008 Adams et al. .... D2/742
- D584,030 S \* 1/2009 Ramirez ..... D2/742
- D591,482 S \* 5/2009 Ramirez ..... D2/742

D610,329 S \* 2/2010 Prechel ..... D2/742

**FOREIGN PATENT DOCUMENTS**

JP 11335908 A \* 12/1999

JP 2005232666 A \* 9/2005

\* cited by examiner

*Primary Examiner*—Ian Simmons

*Assistant Examiner*—Rashida Johnson

(74) *Attorney, Agent, or Firm*—Sinorica, LLC

(57) **CLAIM**

The ornamental design of pants with cargo style pockets, as shown and described.

**DESCRIPTION**

FIG. 1 is a front perspective view of pants with cargo style pockets;

FIG. 2 is a rear elevational view thereof;

FIG. 3 is a front elevational view thereof;

FIG. 4 is a left-side elevational view thereof;

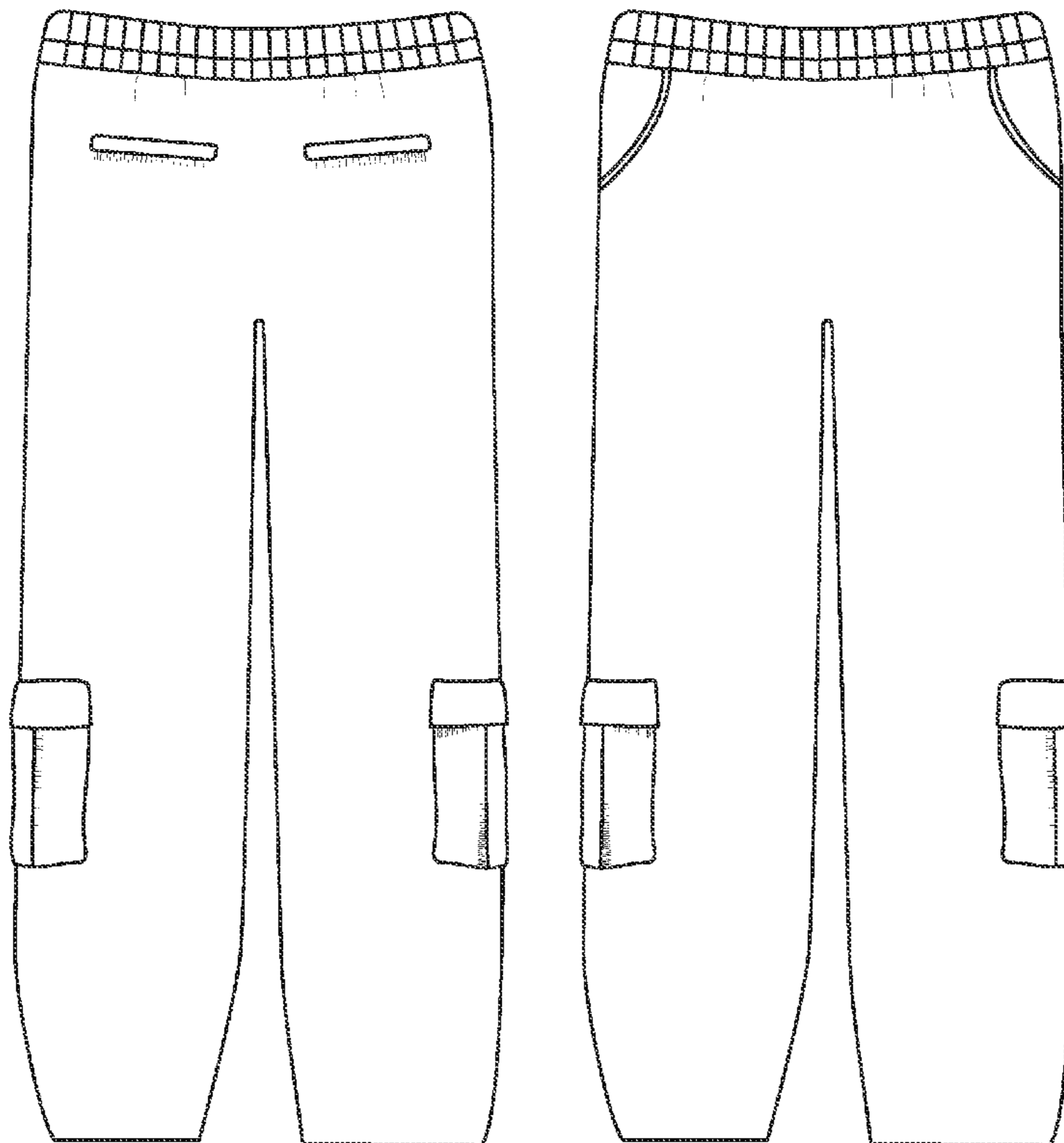
FIG. 5 is a right-side elevational view thereof;

FIG. 6 is a bottom plan view thereof; and,

FIG. 7 is a top plan view thereof.

The broken lines in FIG. 1, showing a shirt and portions of the human form, are included for the purpose of illustrating environmental structure and form no part of the claimed design.

**1 Claim, 4 Drawing Sheets**



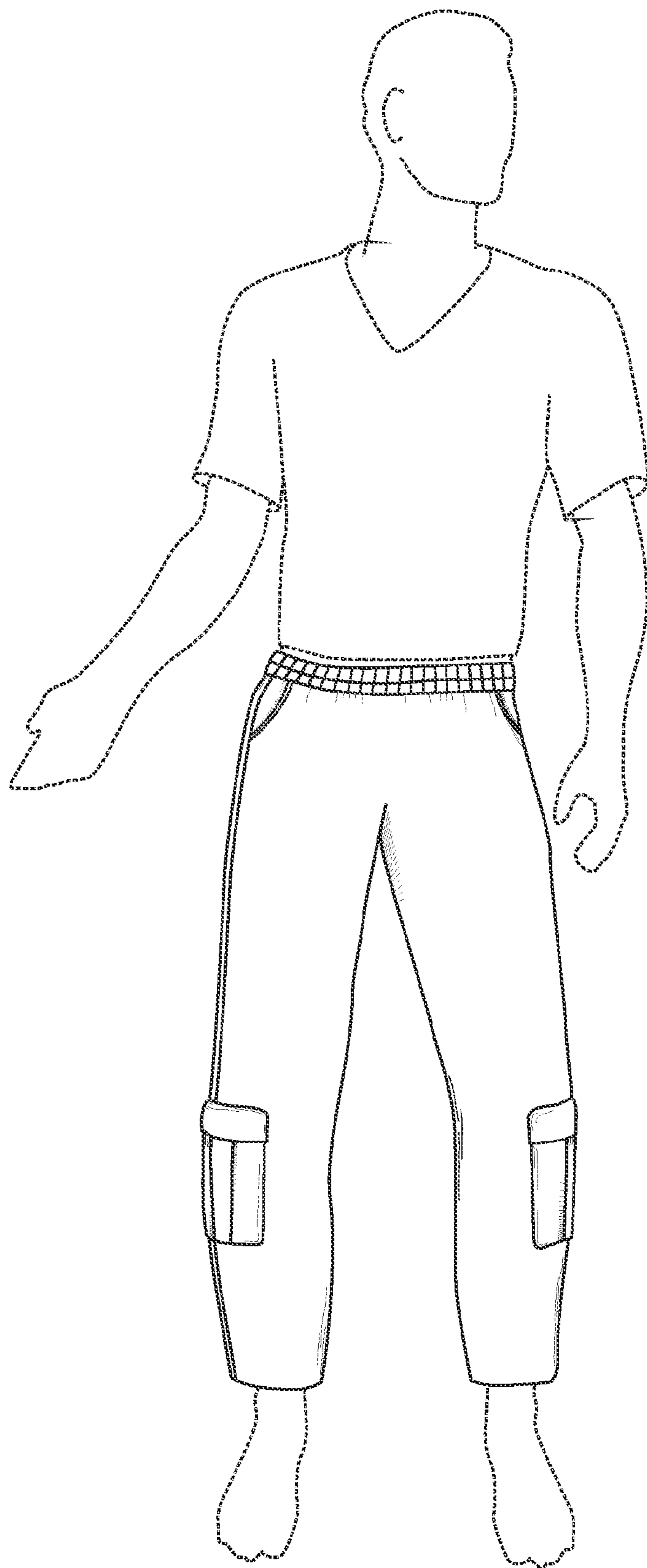


FIG. 1

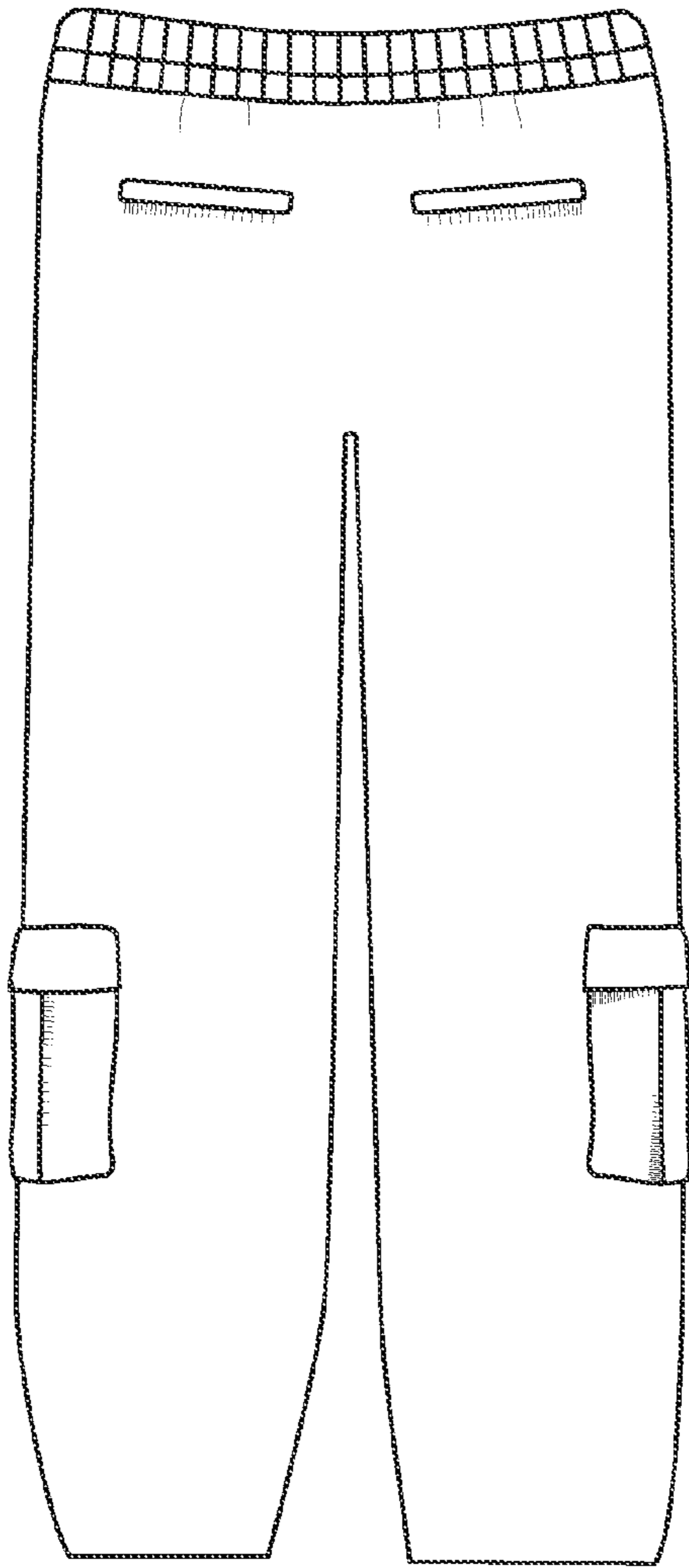


FIG. 2

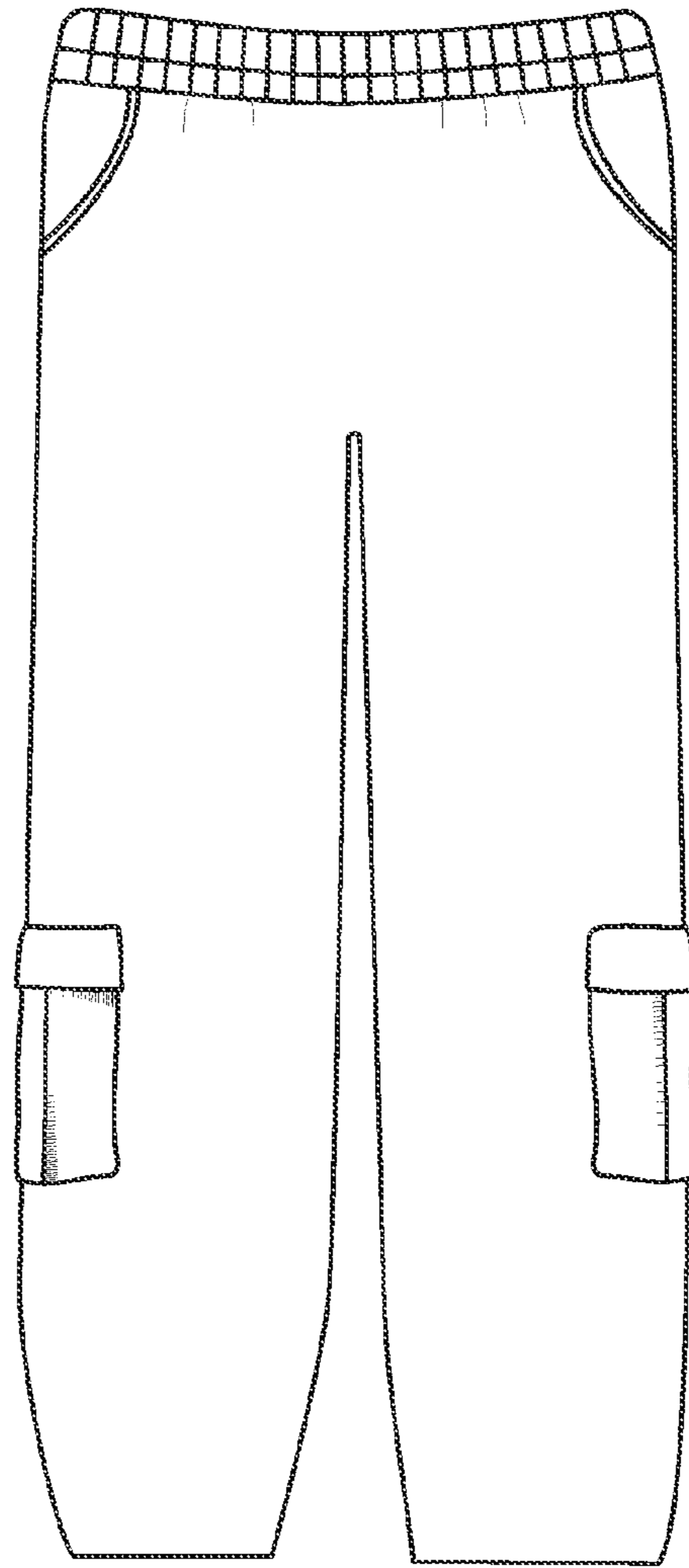


FIG. 3

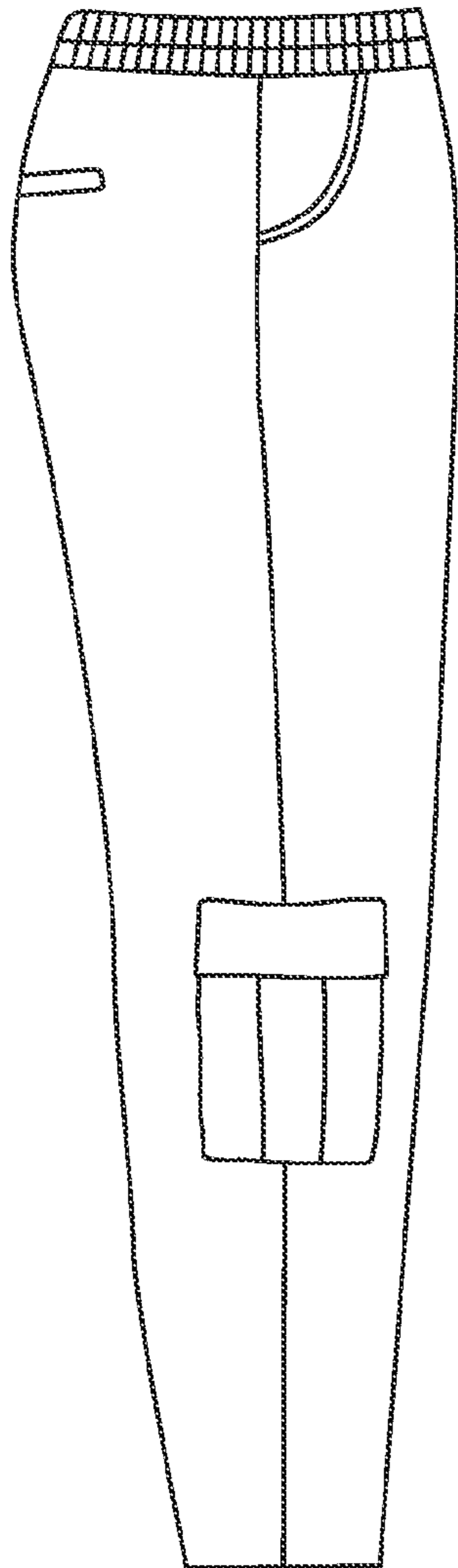


FIG. 4

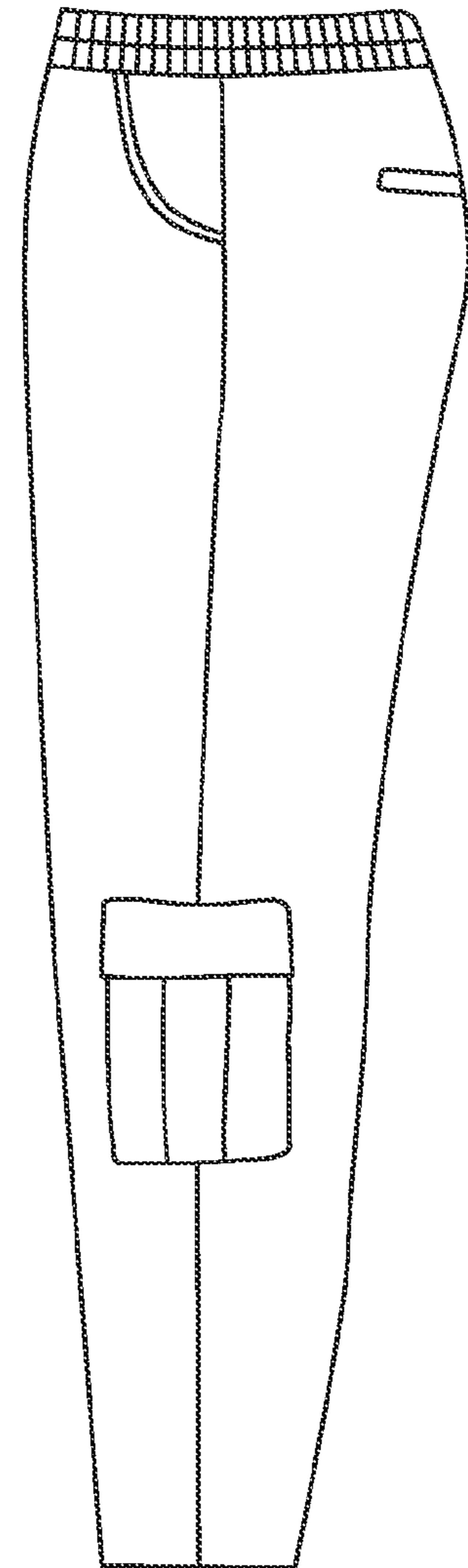


FIG. 5

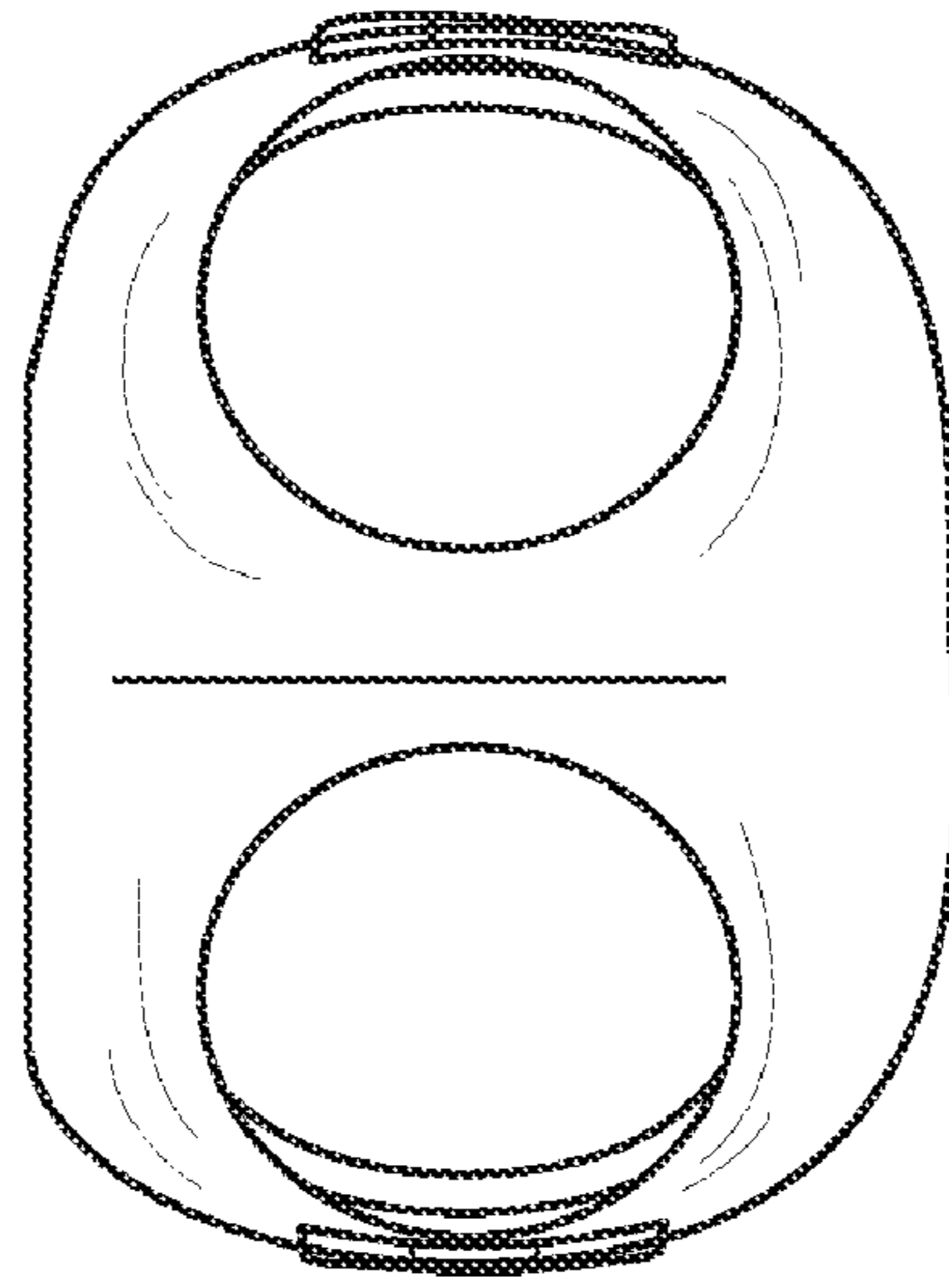


FIG. 6

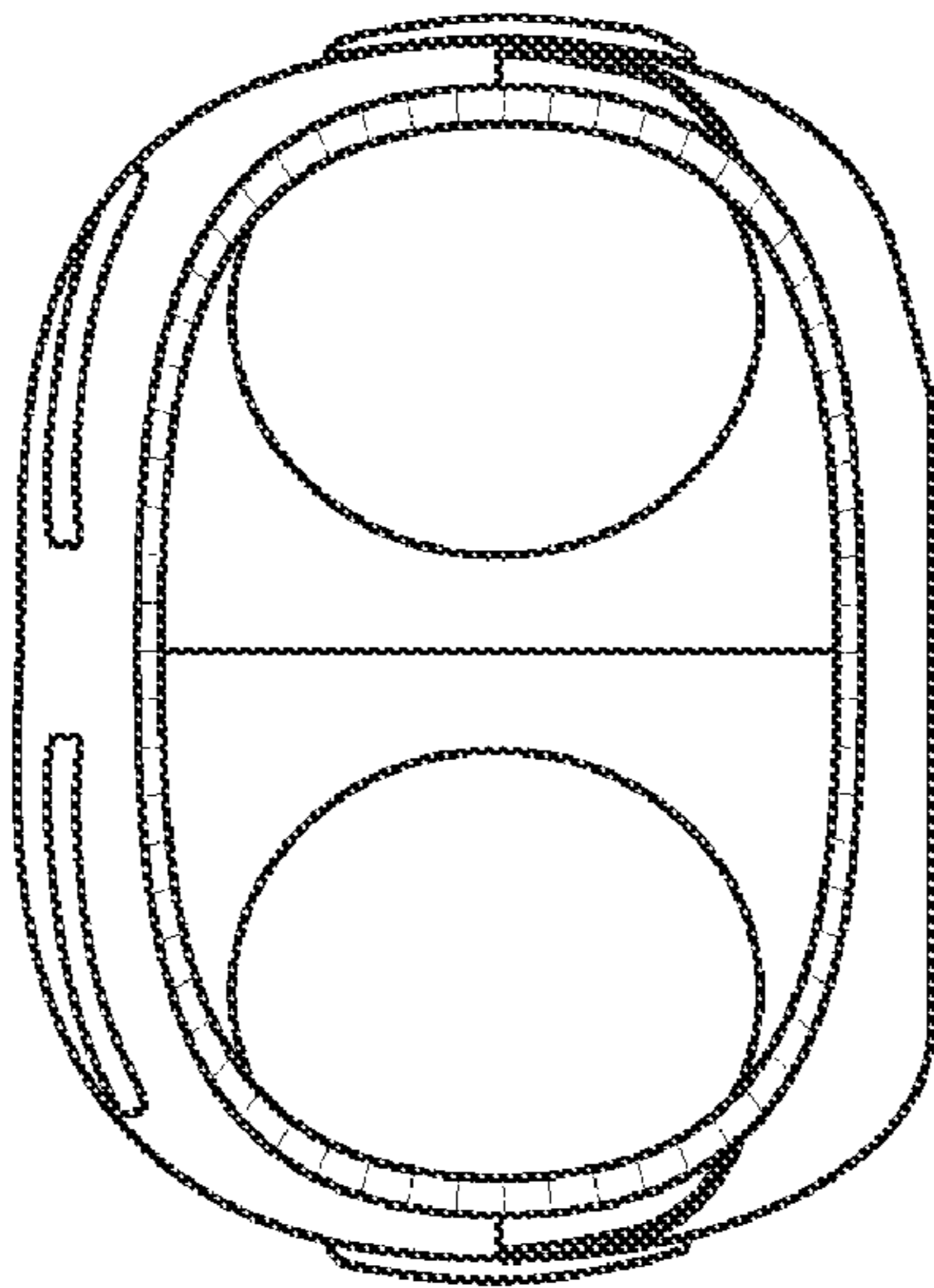


FIG. 7