



US00D624279S

(12) **United States Design Patent**
Adams et al.

(10) **Patent No.:** **US D624,279 S**

(45) **Date of Patent:** **** Sep. 28, 2010**

(54) **SLEEPING BAG**

(75) Inventors: **Brian Adams**, Spokane, WA (US); **Eric Sachs**, Rossland (CA)

(73) Assignee: **Blackhawk Industries Product Group Unlimited LLC**, Norfolk, VA (US)

(**) Term: **14 Years**

(21) Appl. No.: **29/294,913**

(22) Filed: **Feb. 2, 2008**

(51) **LOC (9) Cl.** **02-01**

(52) **U.S. Cl.** **D2/719**

(58) **Field of Classification Search** D2/718,
D2/719; 2/69, 69.5; 5/413 R, 482, 417,
5/419, 630; 128/873; D6/603, 595, 605
See application file for complete search history.

(56) **References Cited**

U.S. PATENT DOCUMENTS

2,931,043	A *	4/1960	Achner	2/69.5
4,292,700	A *	10/1981	Markel	5/413 R
D401,736	S *	12/1998	Shaw	D2/719
D416,123	S *	11/1999	Hwang et al.	D2/719
D420,780	S *	2/2000	Cox et al.	D2/719
D476,516	S *	7/2003	Pigg	D6/596
D504,552	S *	5/2005	Michaelis	D2/719
7,328,468	B2 *	2/2008	Korshamn	5/413 R
D586,537	S *	2/2009	Walker	D2/719

D606,282 S * 12/2009 Chen D2/719

* cited by examiner

Primary Examiner—Caron Veynar

Assistant Examiner—Abraham Bahta

(74) *Attorney, Agent, or Firm*—Bowman Green Hampton & Kelly, PLLC

(57) **CLAIM**

The ornamental design for sleeping bag, as shown and described.

DESCRIPTION

FIG. 1 is a front view of the sleeping bag, showing our new design;

FIG. 2 is a rear view of the sleeping bag, showing our new design;

FIG. 3 is a left side view of the sleeping bag, showing our new design;

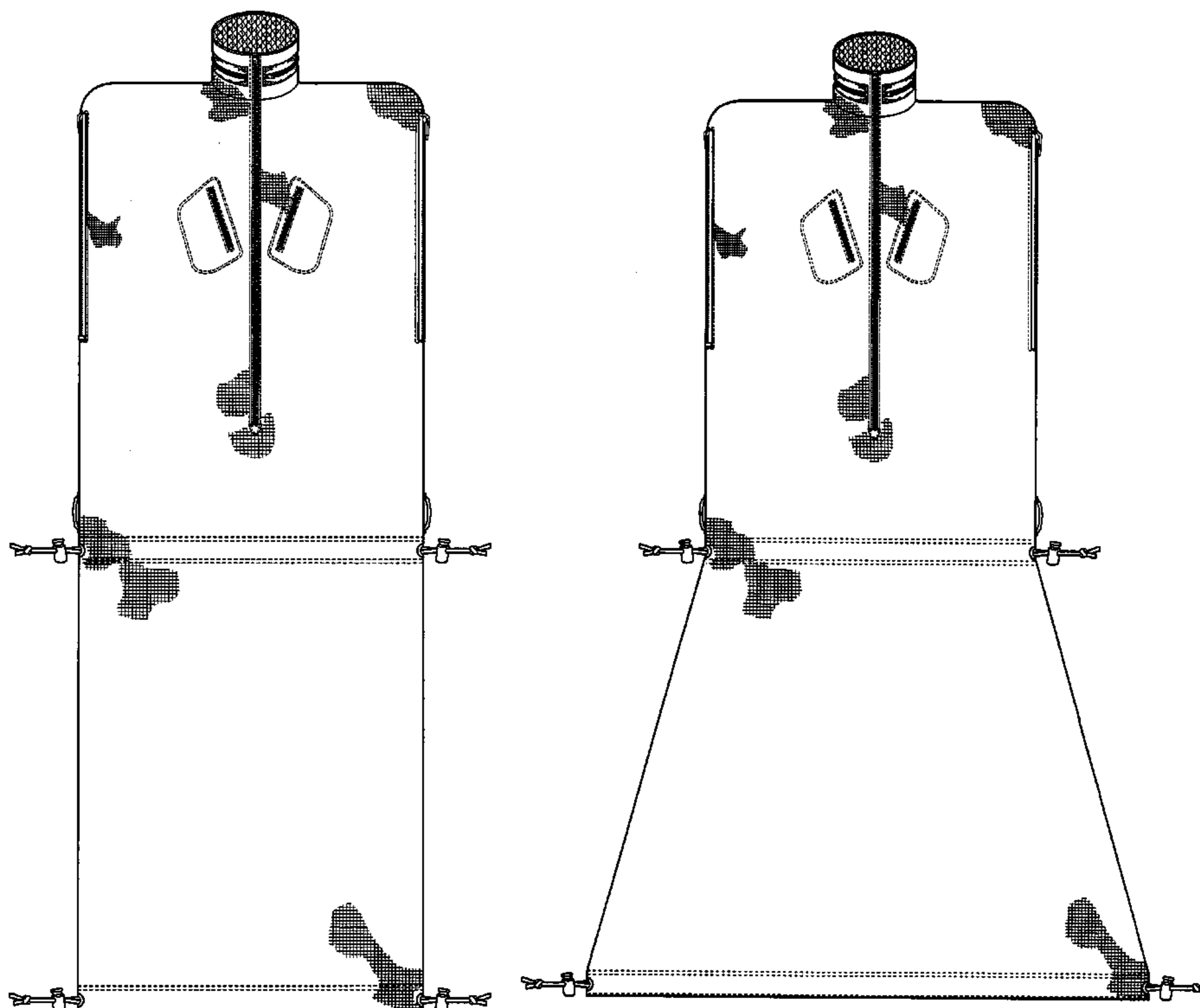
FIG. 4 is a top view of the sleeping bag, showing our new design;

FIG. 5 is a bottom view of the sleeping bag, showing our new design;

FIG. 6 is a front view of the sleeping bag, showing an expanded lower portion of our new design; and,

FIG. 7 is a rear view of the sleeping bag, showing an expanded lower portion of our design.

1 Claim, 5 Drawing Sheets



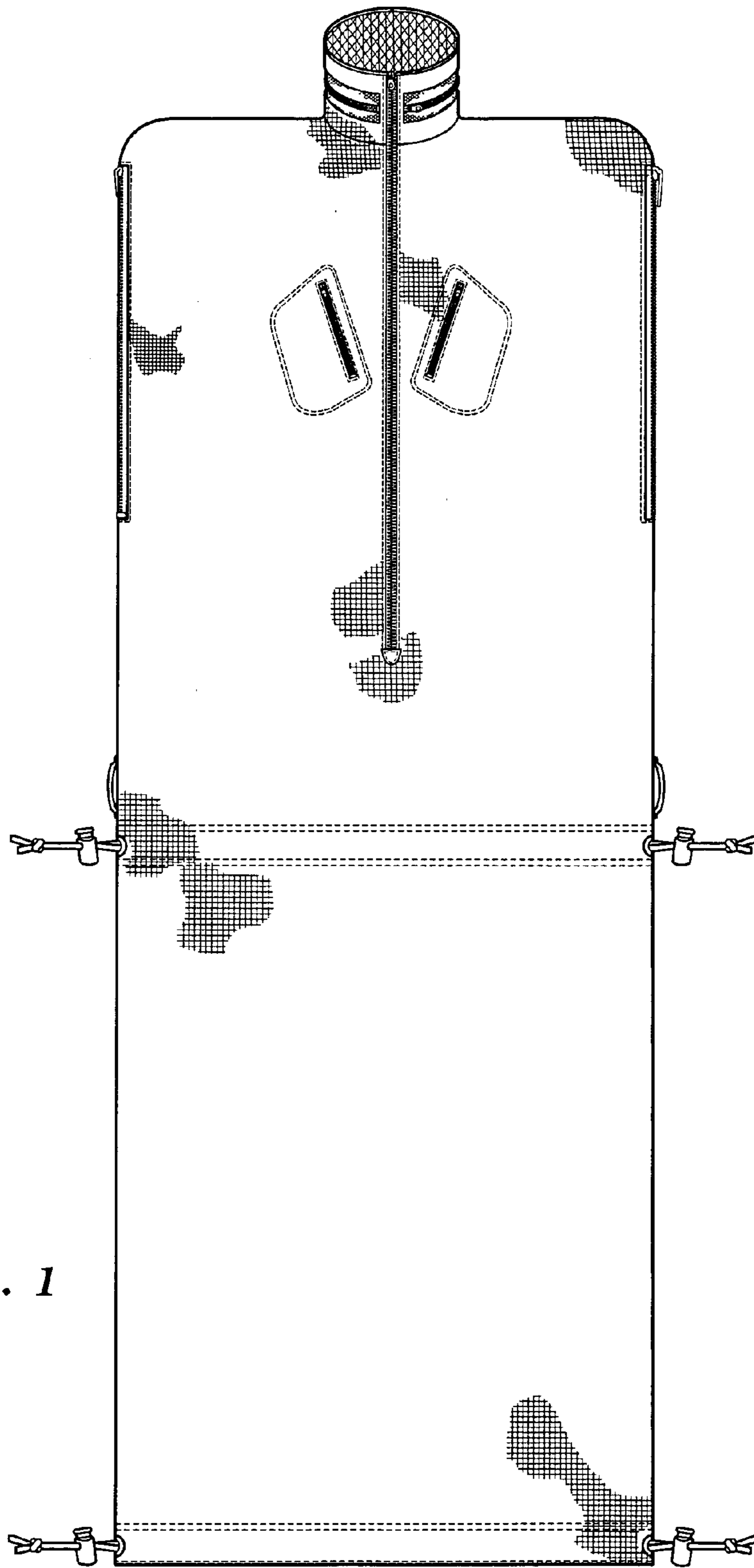


Fig. 1

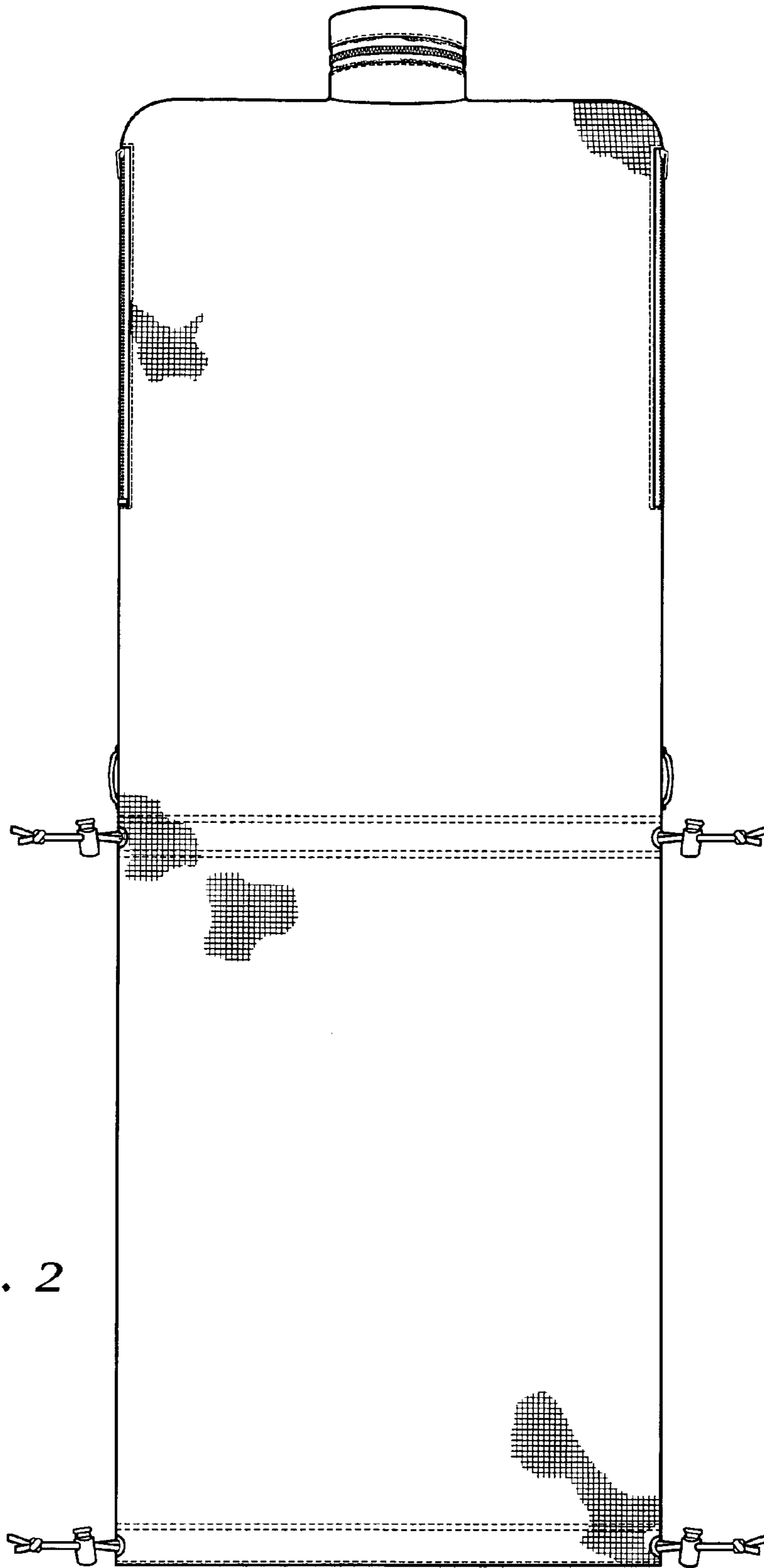


Fig. 2

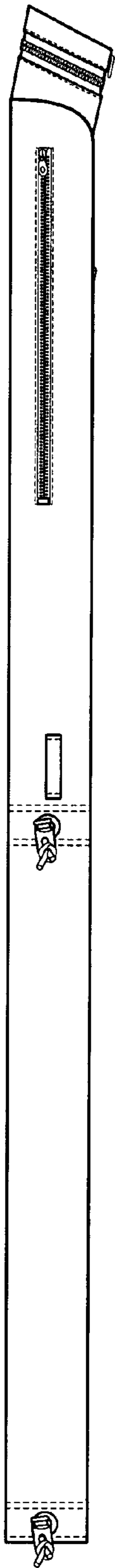


Fig. 3

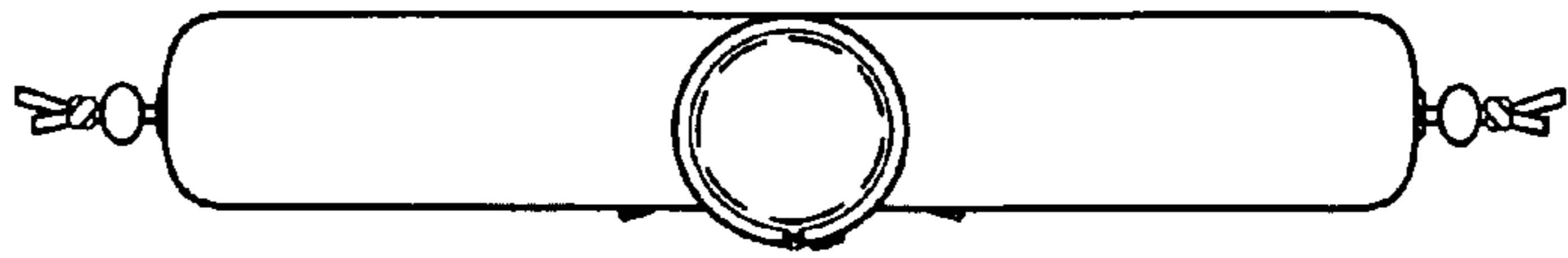


Fig. 4

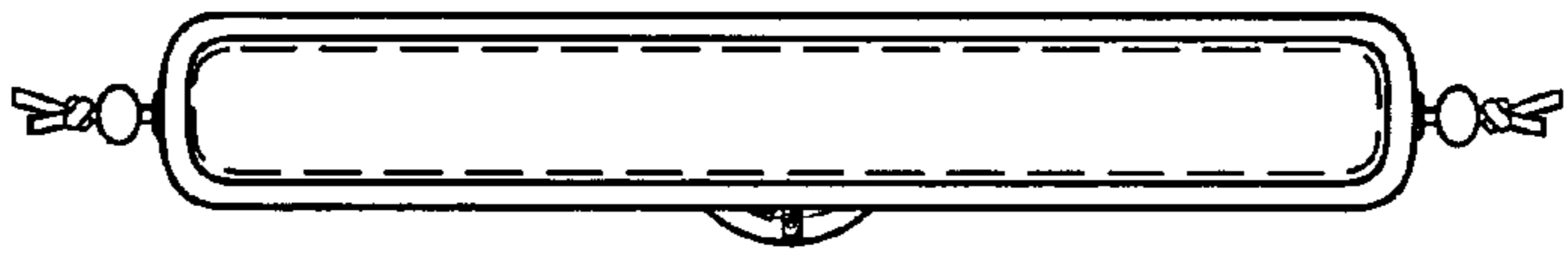
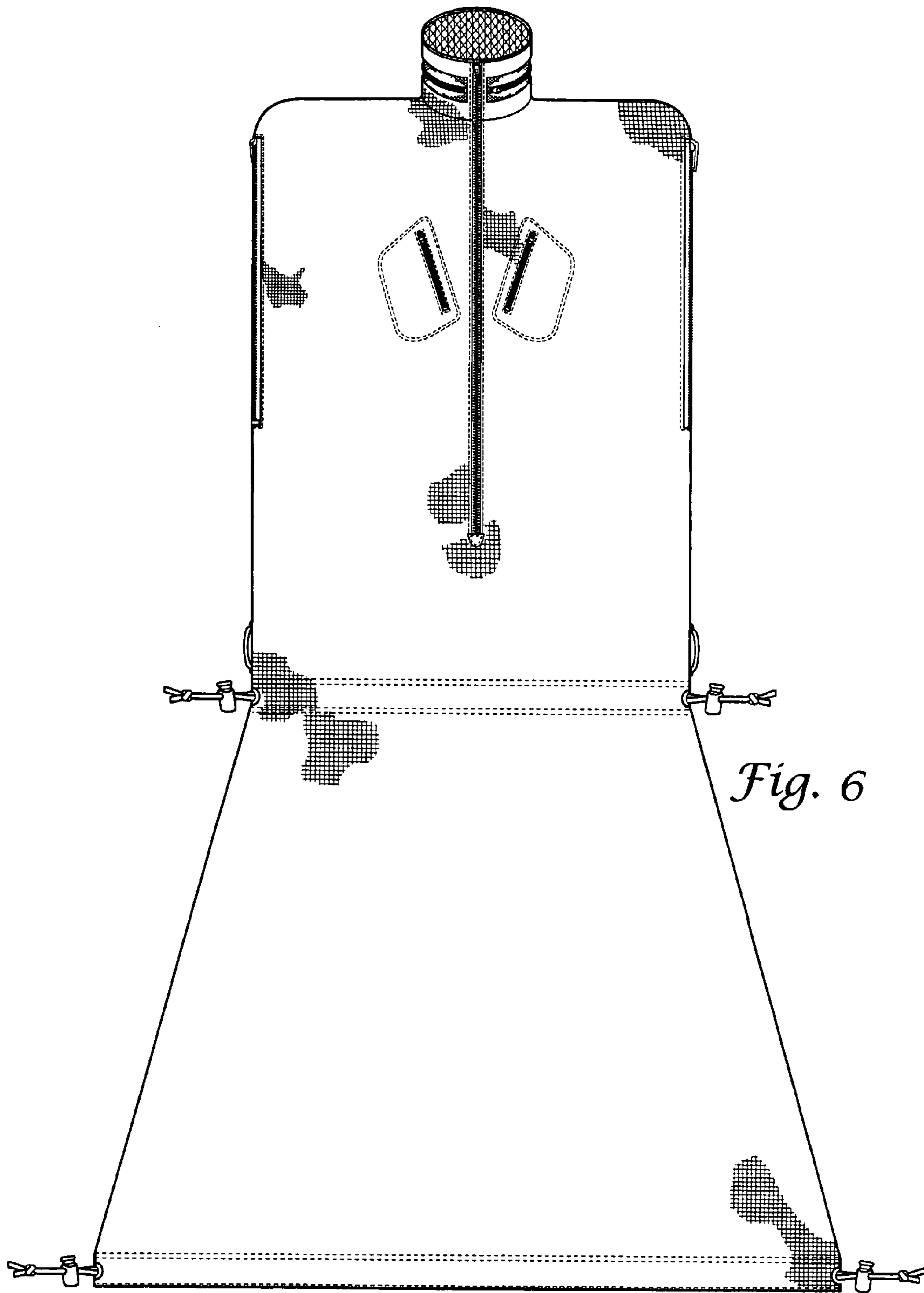


Fig. 5



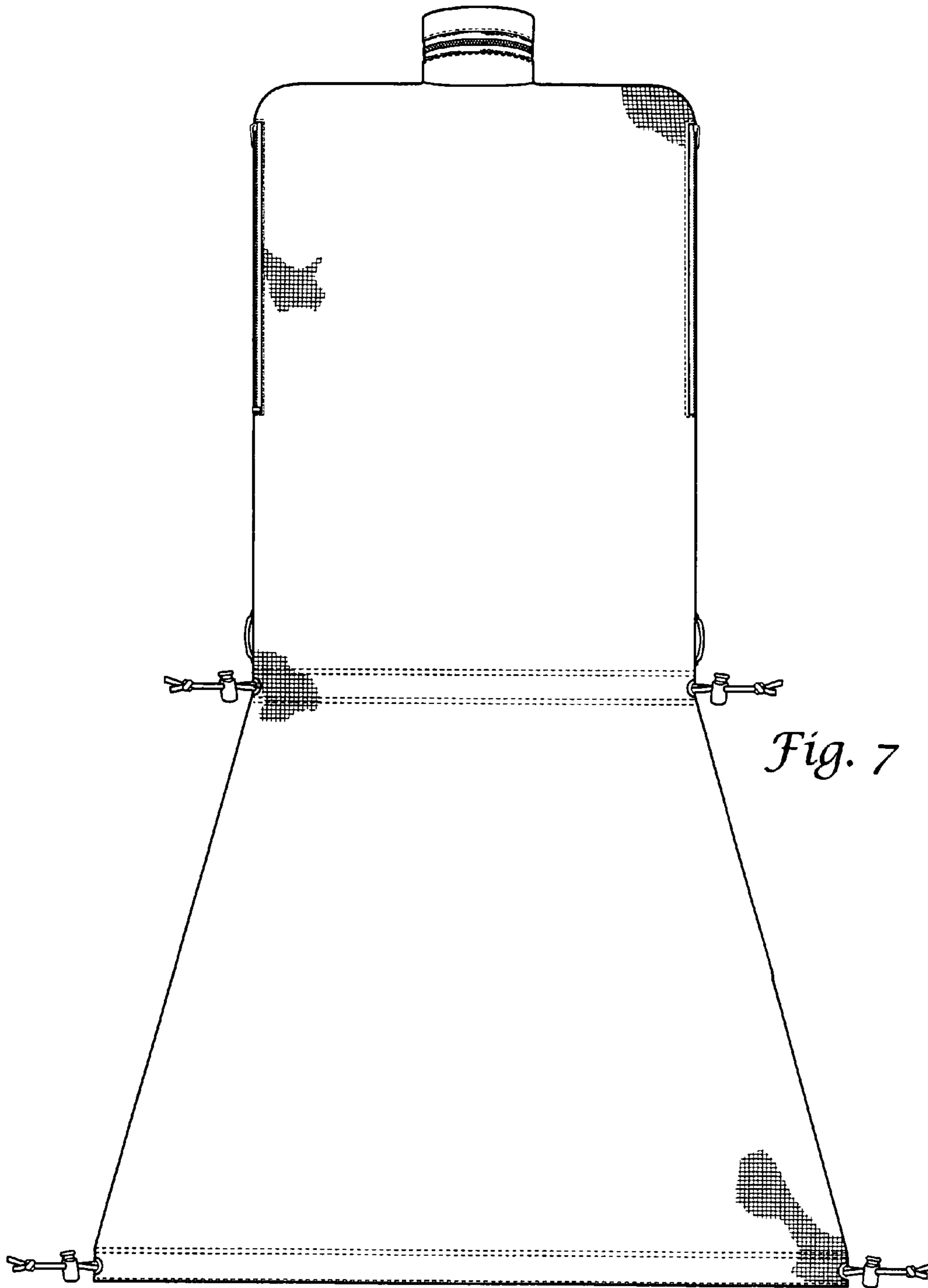


Fig. 7

UNITED STATES PATENT AND TRADEMARK OFFICE
CERTIFICATE OF CORRECTION

PATENT NO. : D624,279 S
APPLICATION NO. : 29/294913
DATED : September 28, 2010
INVENTOR(S) : Brian Abrams and Eric Sachs

Page 1 of 1

It is certified that error appears in the above-identified patent and that said Letters Patent is hereby corrected as shown below:

Title page, under item (12), delete “Adams” and insert --Abrams--.

Title page, item (75) Inventors;

Please correct the spelling of the first named Inventor’s name to read “Brian Abrams”.

Signed and Sealed this
Third Day of May, 2011

A handwritten signature in black ink that reads "David J. Kappos". The signature is written in a cursive style with a large initial "D" and "K".

David J. Kappos
Director of the United States Patent and Trademark Office