



US00D624275S

(12) **United States Design Patent**
Min

(10) **Patent No.:** **US D624,275 S**

(45) **Date of Patent:** **** Sep. 21, 2010**

(54) **FINGERPRINT SAFEKEEPING BOX**

D561,994 S * 2/2008 Peart et al. D3/291

(76) Inventor: **Hao Min**, No. 1 Hanzhongmen Blvd. 27 Floor, Nanjing (CN)

* cited by examiner

Primary Examiner—Lisa P Lichtenstein

(74) *Attorney, Agent, or Firm*—Global IP Services; Tianhua Gu

(**) Term: **14 Years**

(21) Appl. No.: **29/353,320**

(57) **CLAIM**

(22) Filed: **Jan. 6, 2010**

The ornamental design for a fingerprint safekeeping box, as shown and described.

(51) **LOC (9) Cl.** **25-02**

(52) **U.S. Cl.** **D99/28; D99/43; D6/432**

(58) **Field of Classification Search** D99/28, D99/34, 35; D6/432, 438, 441, 448, 457, D6/470, 510, 509, 559; 109/7, 35, 38-39, 109/45, 47-48, 50, 59 R, 70, 71, 77, 73; 211/4, 211/64; 312/135, 215, 297, 305, 409; 190/19 See application file for complete search history.

DESCRIPTION

FIG. 1 is a front perspective view of a fingerprint safekeeping box showing my new design;

FIG. 2 is a top view thereof;

FIG. 3 is a bottom view thereof;

FIG. 4 is a back view thereof;

FIG. 5 is a front view thereof;

FIG. 6 is a left side view thereof; and,

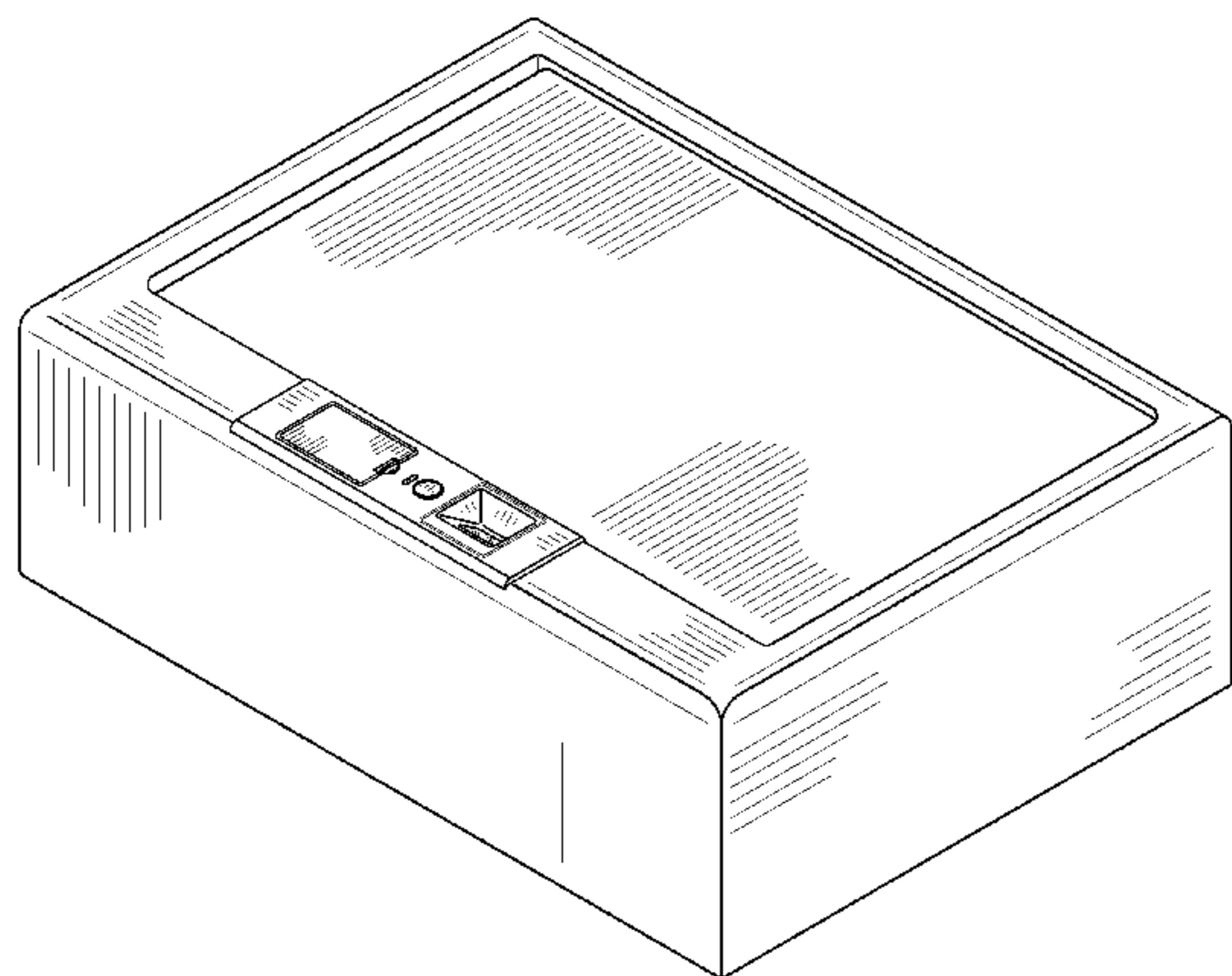
FIG. 7 is a right side view thereof.

(56) **References Cited**

U.S. PATENT DOCUMENTS

- D255,518 S * 6/1980 Logsdon D6/448
- D517,770 S * 3/2006 Walker D99/28
- D558,977 S * 1/2008 Peart et al. D3/294

1 Claim, 5 Drawing Sheets



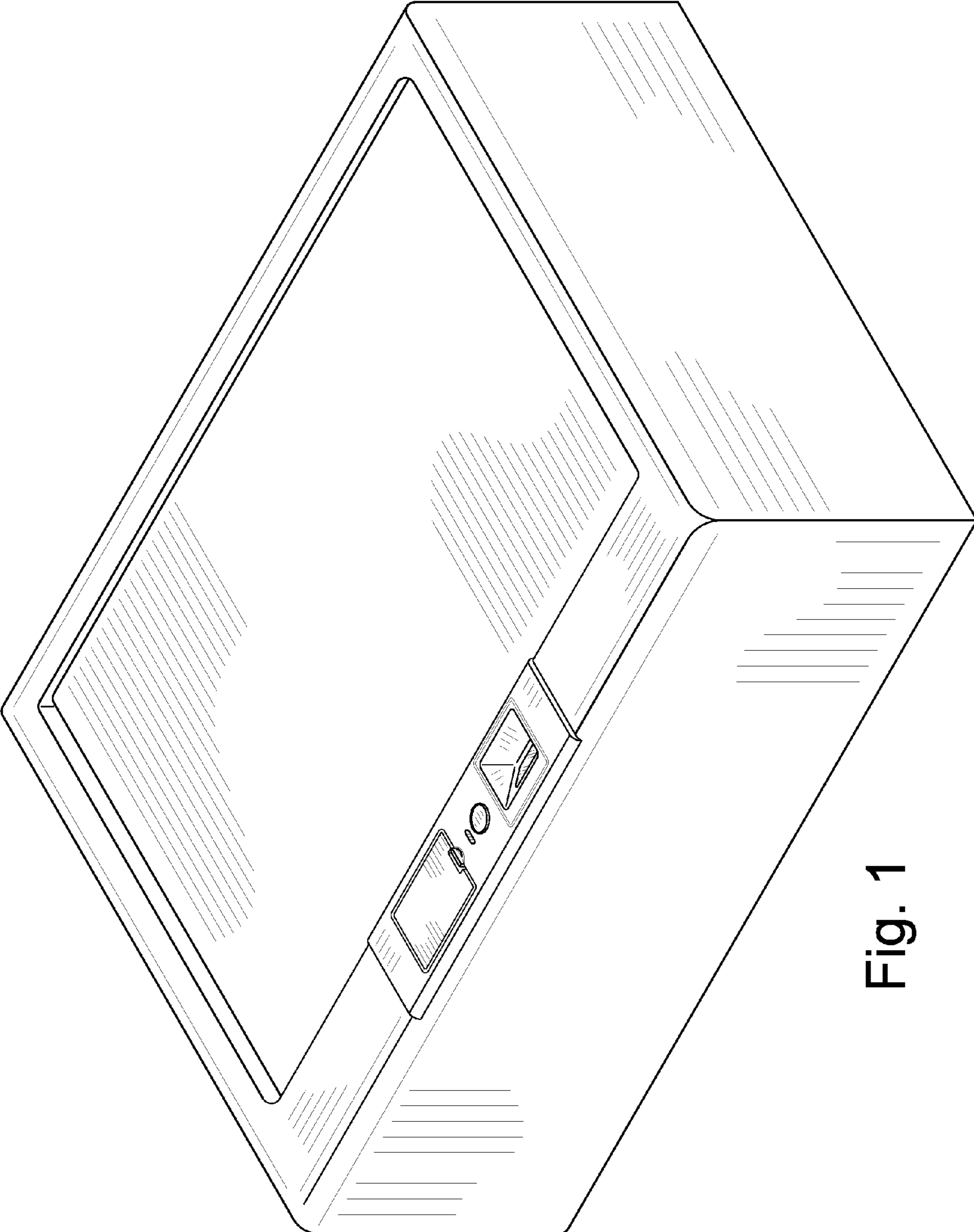


Fig. 1

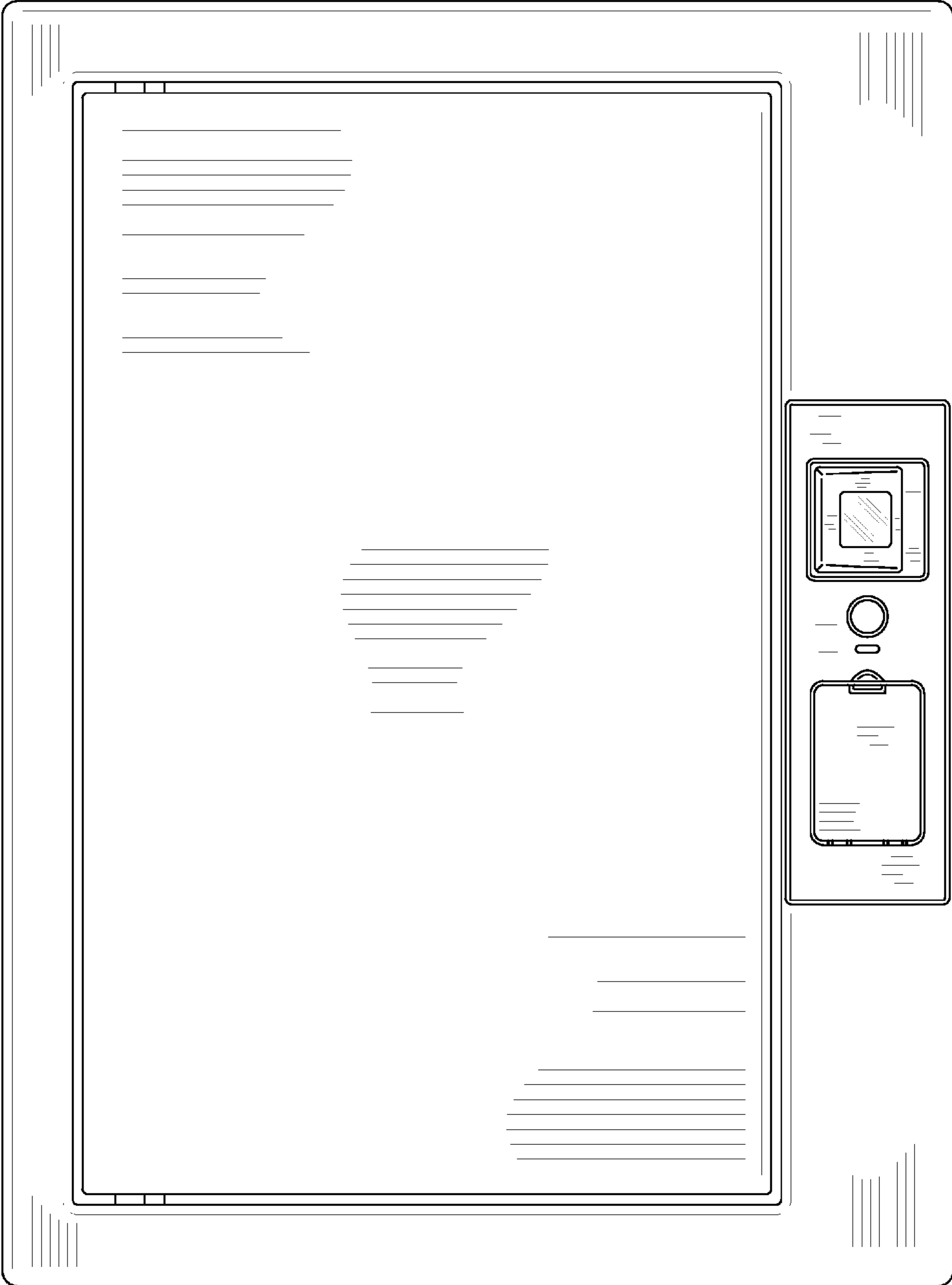


Fig. 2

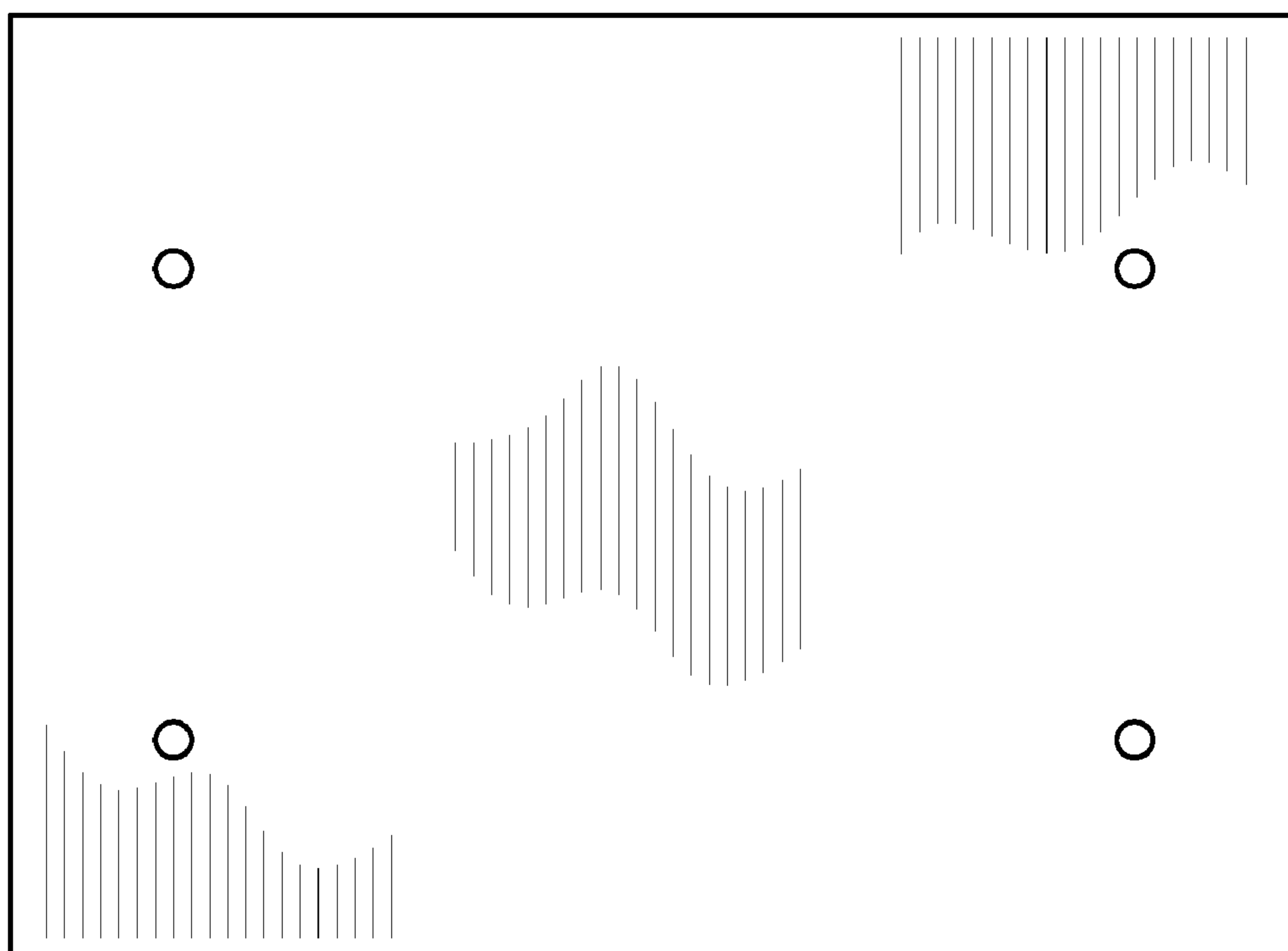


Fig. 3

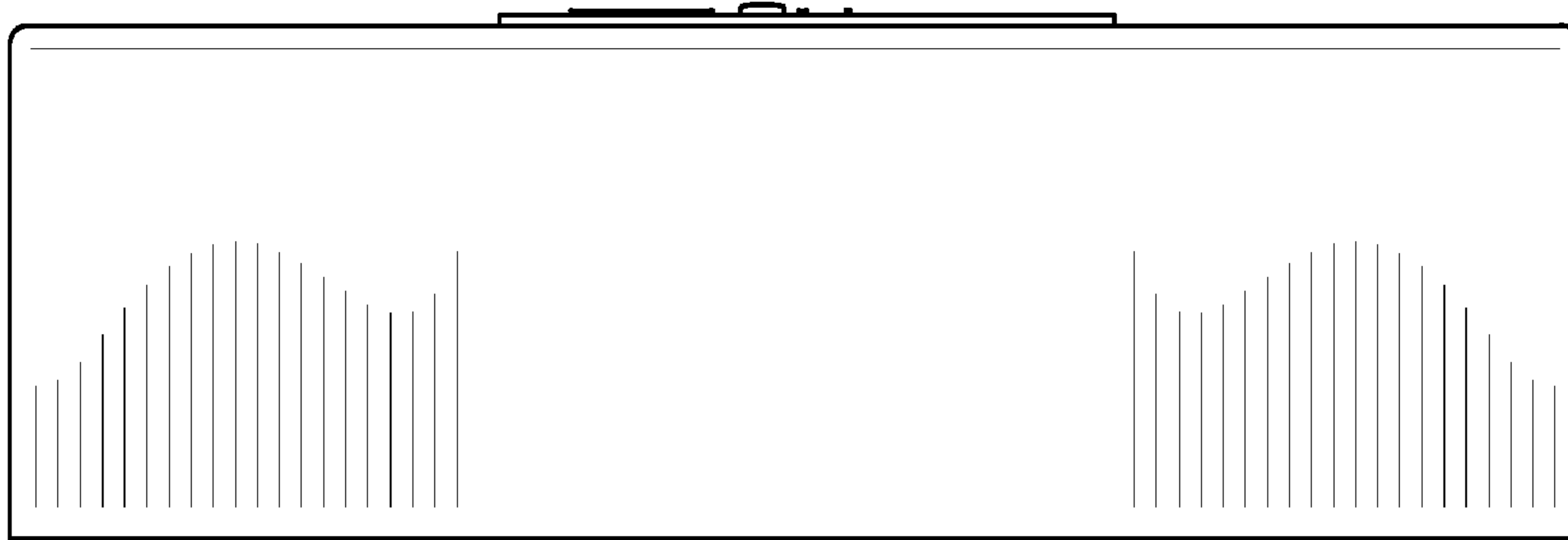


Fig. 4

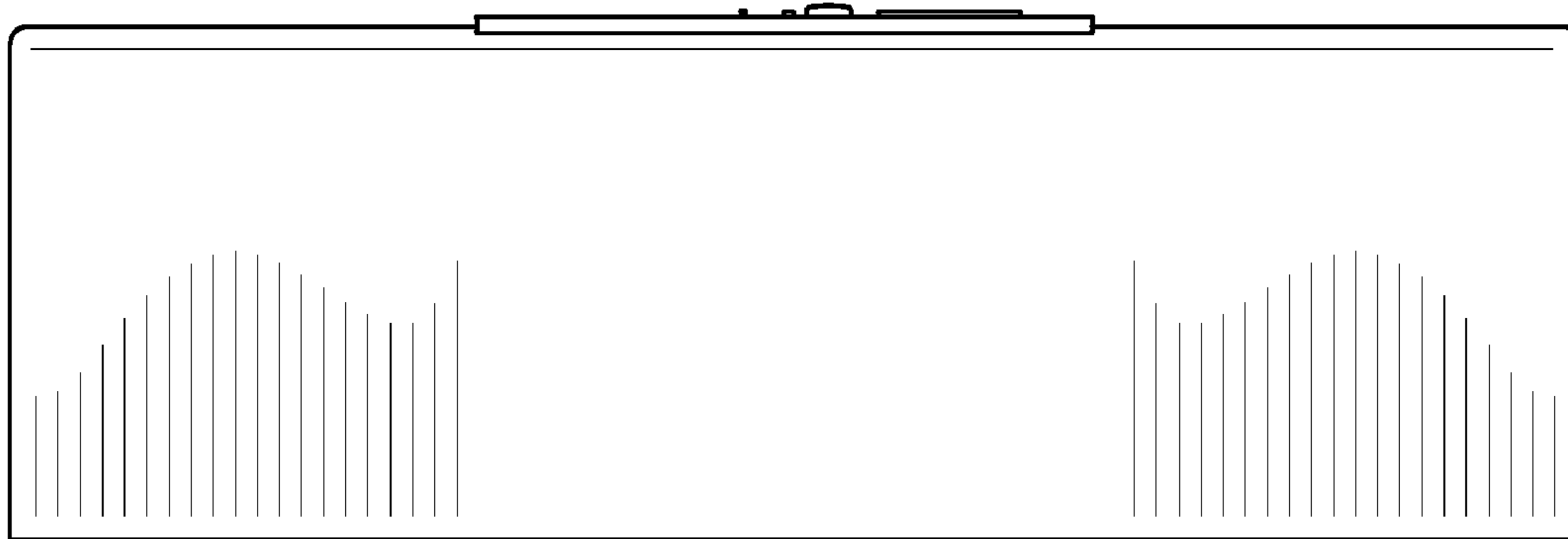


Fig. 5

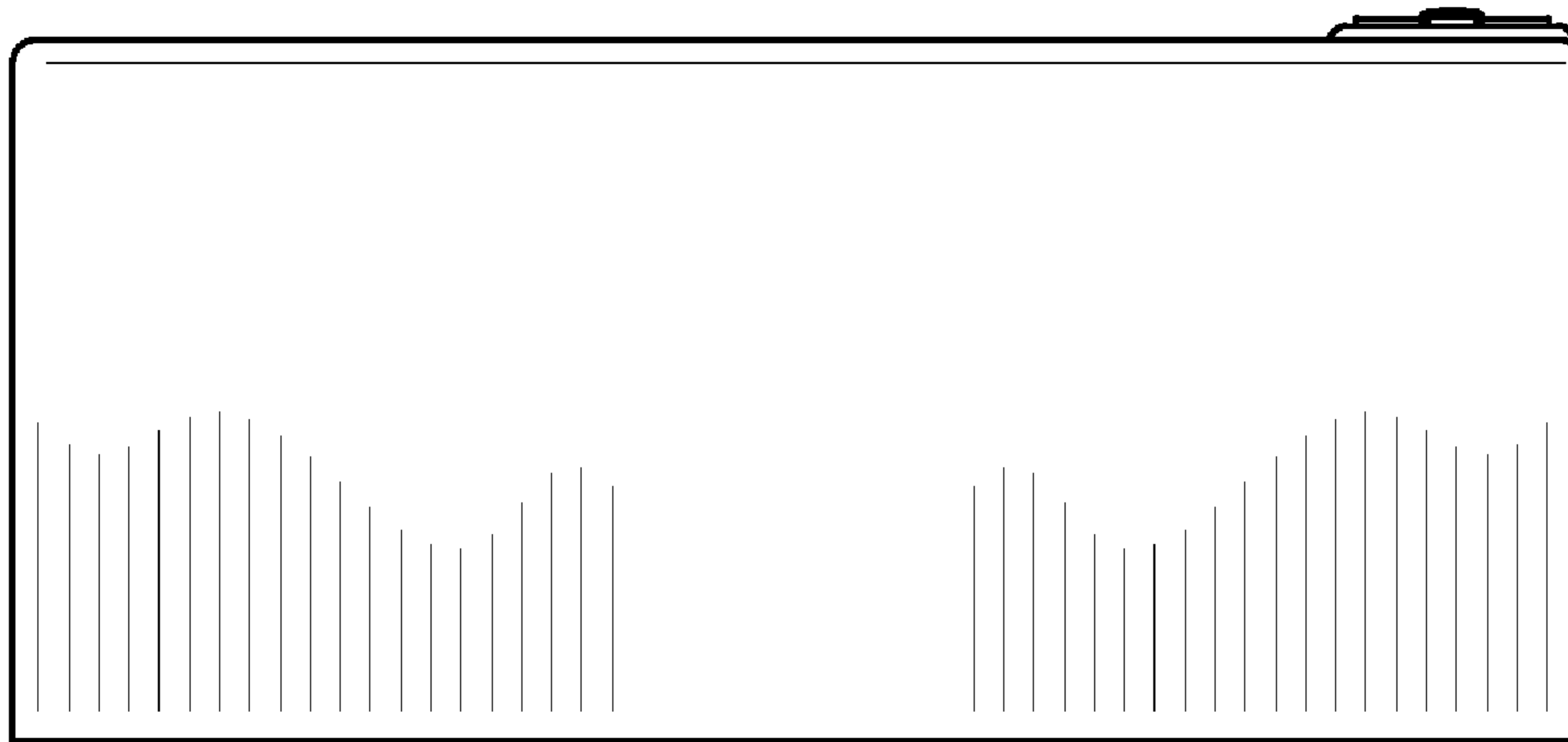


Fig. 6

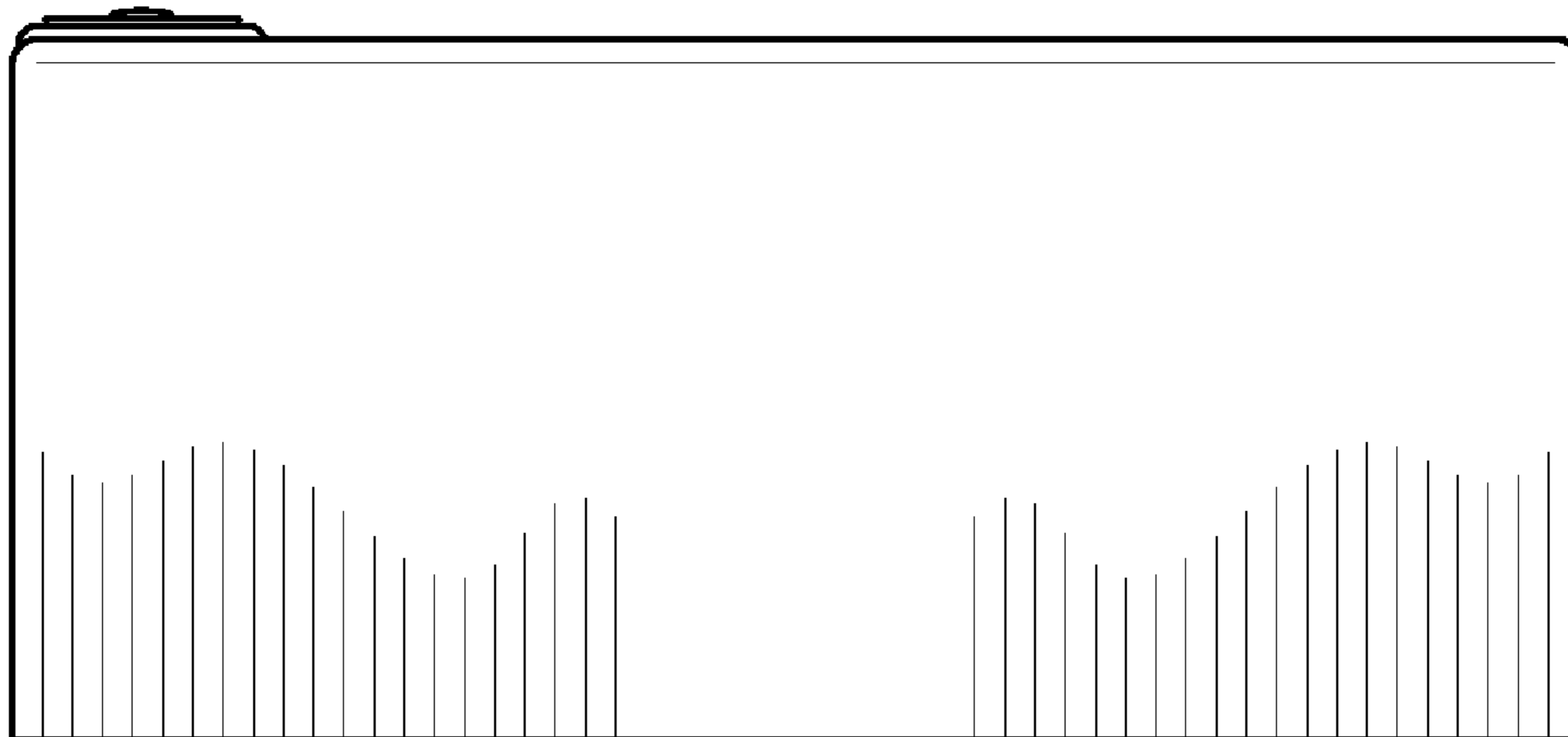


Fig. 7