



US00D624272S

(12) **United States Design Patent**
Gudiksen

(10) **Patent No.:** **US D624,272 S**
(45) **Date of Patent:** **** Sep. 21, 2010**

(54) **LIFTING COLUMN**

(75) Inventor: **Søren O. Gudiksen**, Sønderborg (DK)

(73) Assignee: **Linak A/S**, Nordborg (DK)

(**) Term: **14 Years**

(21) Appl. No.: **29/311,509**

(22) Filed: **Apr. 3, 2009**

(30) **Foreign Application Priority Data**

Oct. 3, 2008 (DK) 2008 00217

(51) **LOC (9) Cl.** **12-05**

(52) **U.S. Cl.** **D34/31**

(58) **Field of Classification Search** D34/31;
248/354.5, 352; 254/93 R, 2 R, DIG. 1, 426,
254/423, 8 R, 45, 84, 93 H

See application file for complete search history.

(56) **References Cited**

U.S. PATENT DOCUMENTS

D424,776 S * 5/2000 Wong D34/31

D537,604 S * 2/2007 Redman D34/31

2002/0050112 A1* 5/2002 Koch et al. 52/651.07

* cited by examiner

Primary Examiner—Cynthia E Ramirez

(74) *Attorney, Agent, or Firm*—Dykema Gossett PLLC

(57) **CLAIM**

The ornamental design for a lifting column, as shown and described.

DESCRIPTION

FIG. 1 is a perspective top end of view of a first embodiment of my new and ornamental design for a lifting column when in a retracted state,

FIG. 2 is a perspective bottom end view thereof,

FIG. 3 is an elevational front view thereof,

FIG. 4 is an elevational rear view thereof,

FIG. 5 is an elevational left side view thereof,

FIG. 6 is an elevational right side view thereof,

FIG. 7 is a top plan view thereof,

FIG. 8 is a bottom plan view thereof,

FIG. 9 is a perspective top end view thereof when in an extended state,

FIG. 10 is a perspective bottom end view thereof when extended,

FIG. 11 is an elevational front view thereof when extended,

FIG. 12 is an elevational rear view thereof when extended,

FIG. 13 is an elevational left side view thereof when extended,

FIG. 14 is an elevational right side view thereof when extended,

FIG. 15 is a top plan view thereof when extended,

FIG. 16 is a bottom plan view thereof when extended,

FIG. 17 is a perspective top end view of a second embodiment of my new ornamental design for a lifting column when in a retracted state,

FIG. 18 is a perspective bottom end view thereof,

FIG. 19 is an elevational rear view thereof,

FIG. 20 is an elevational front view thereof,

FIG. 21 is an elevational right side view thereof,

FIG. 22 is an elevational left side view thereof,

FIG. 23 is a bottom plan view thereof,

FIG. 24 is a top plan view thereof,

FIG. 25 is a perspective top end view thereof when in an extended state,

FIG. 26 is a perspective bottom end view thereof when extended,

FIG. 27 is an elevational rear view thereof when extended,

FIG. 28 is an elevational front view thereof when extended,

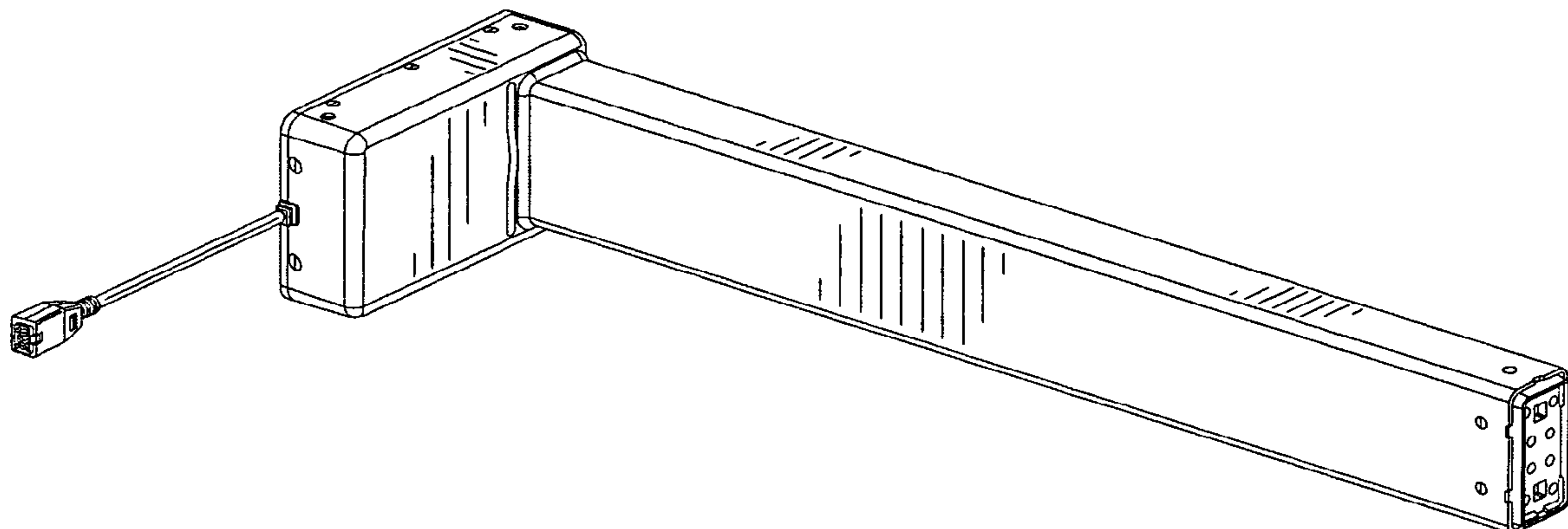
FIG. 29 is an elevational right side view thereof when extended,

FIG. 30 is an elevational left side view thereof when extended,

FIG. 31 is a bottom plan view thereof when extended; and,

FIG. 32 is a top plan view thereof when extended.

1 Claim, 8 Drawing Sheets



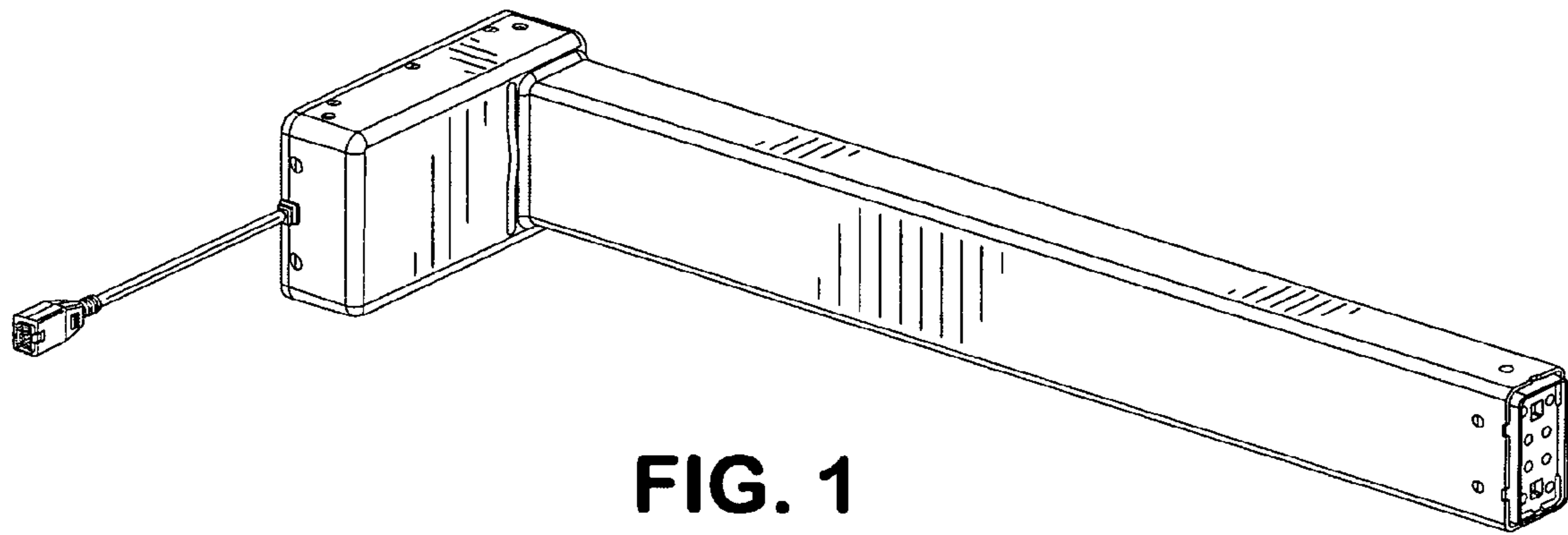


FIG. 1

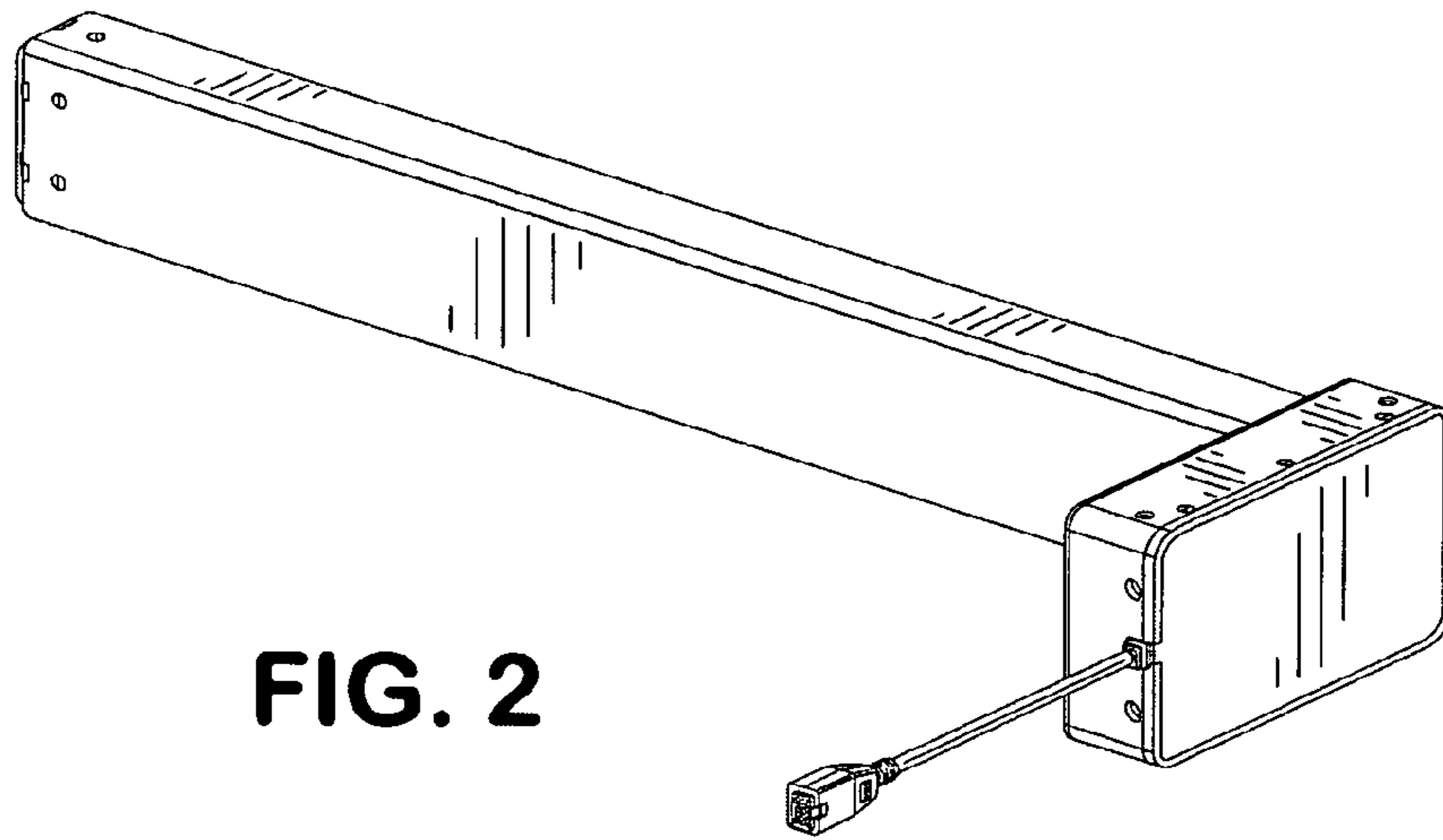


FIG. 2

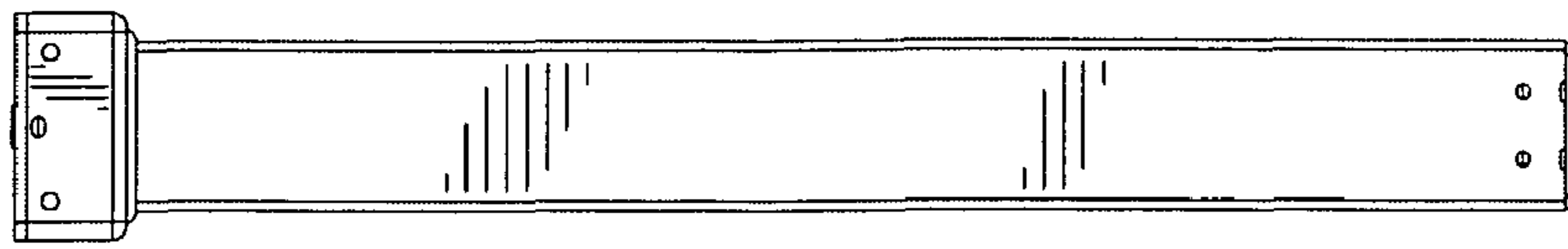


FIG. 4

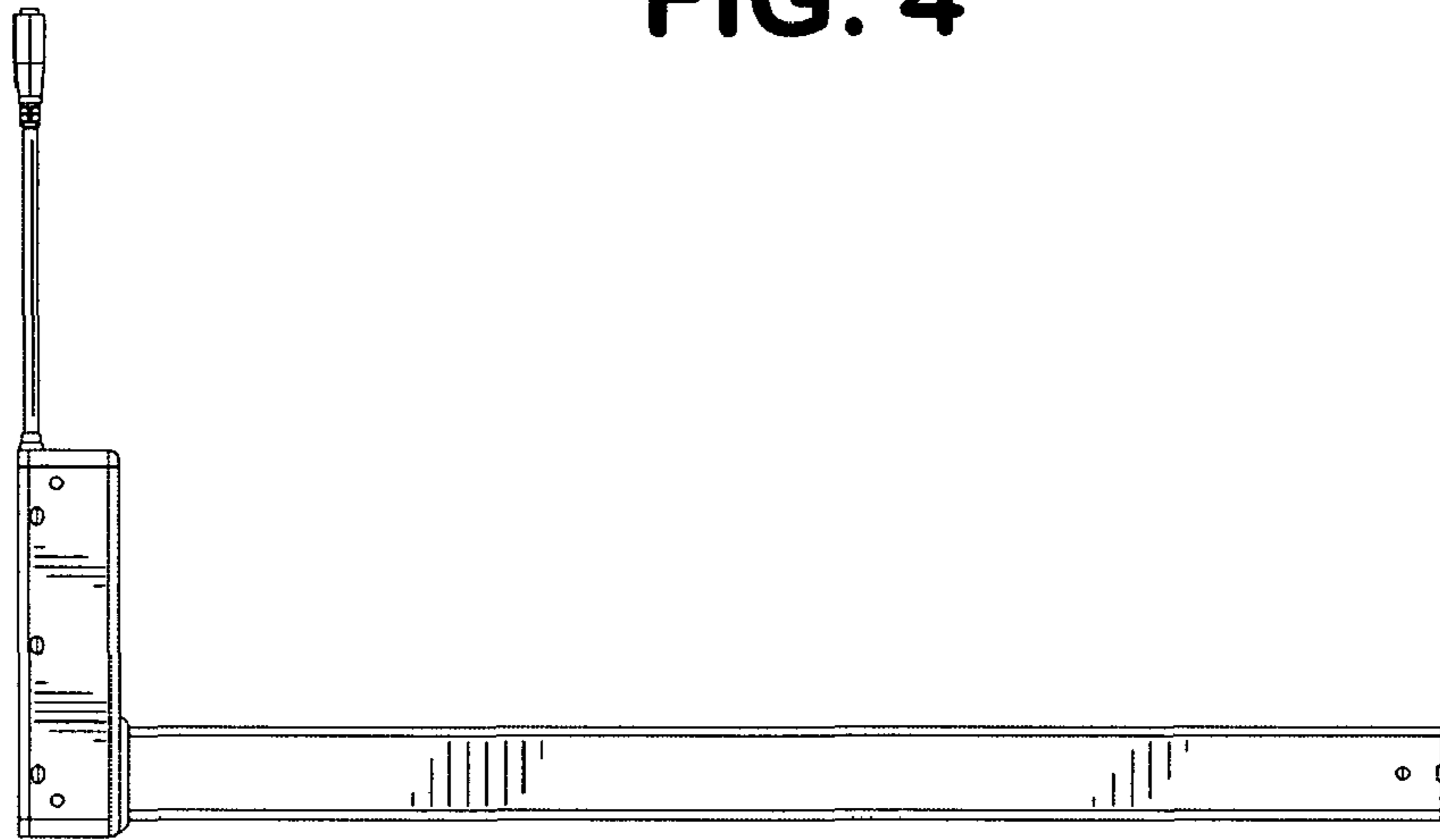


FIG. 5

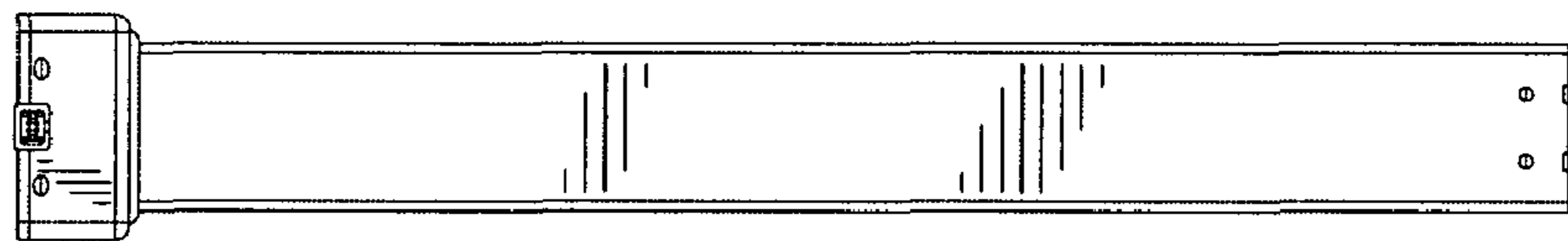


FIG. 3

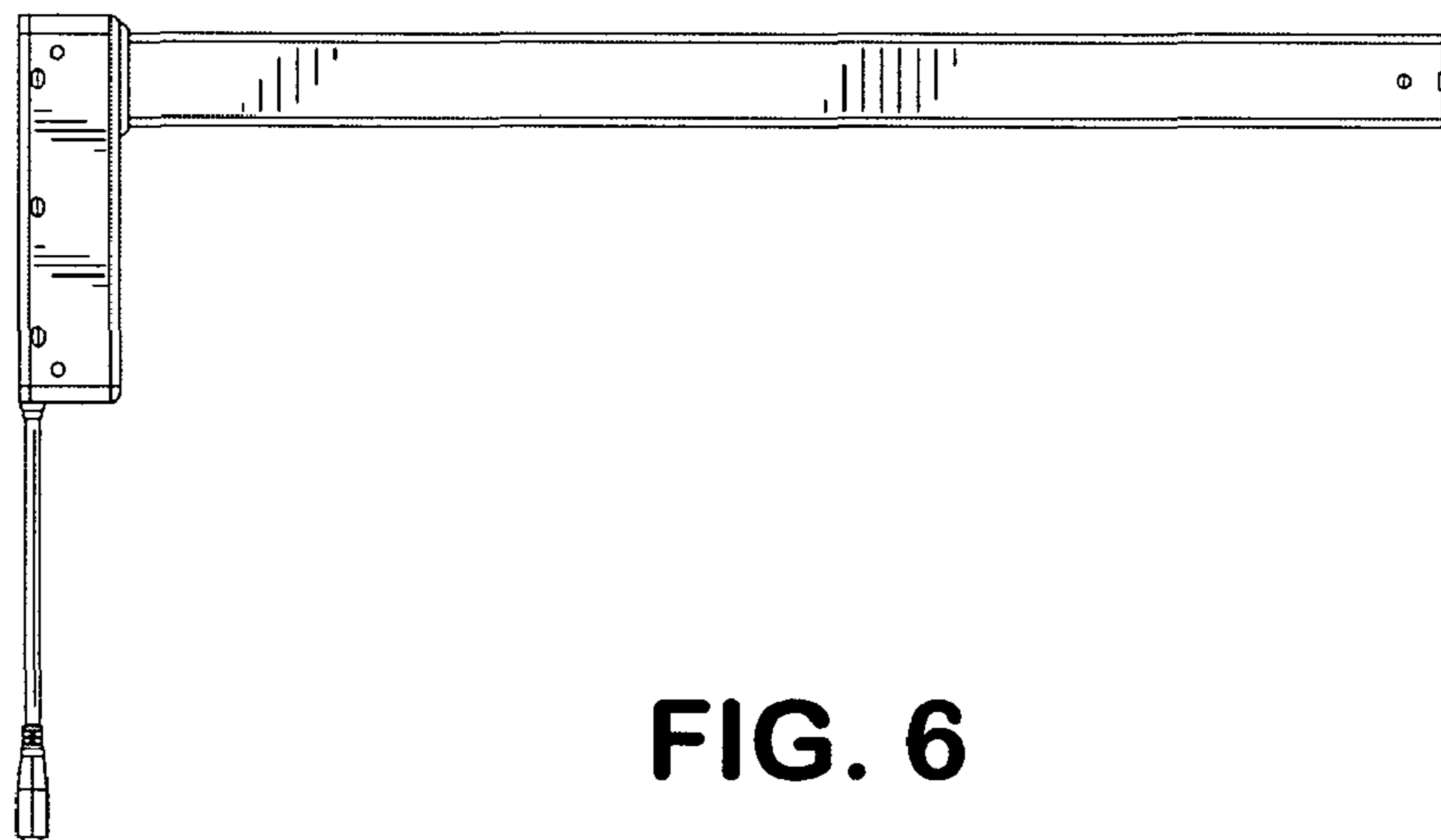


FIG. 6

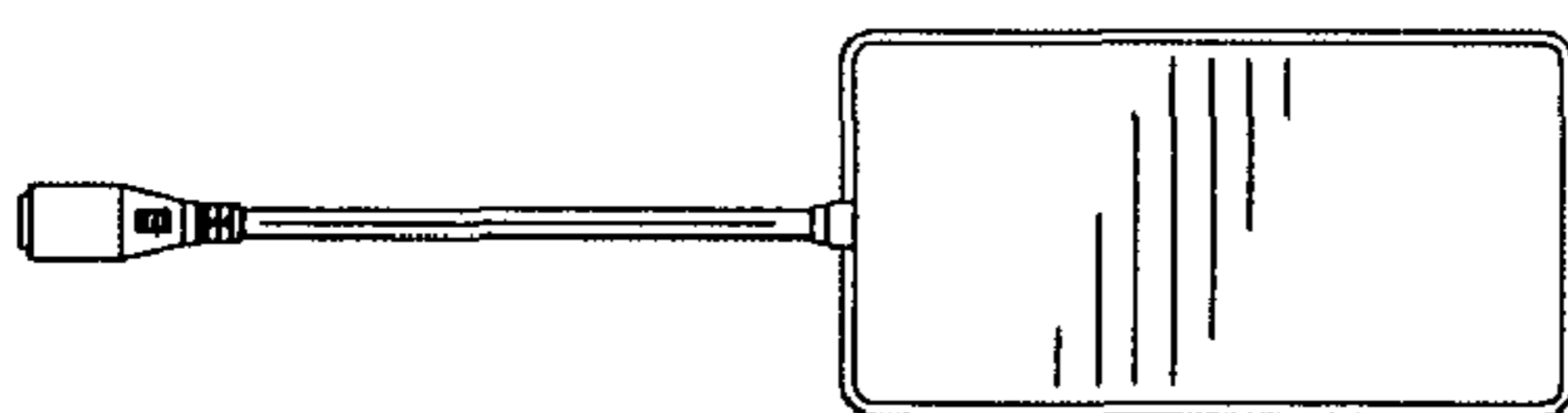


FIG. 7

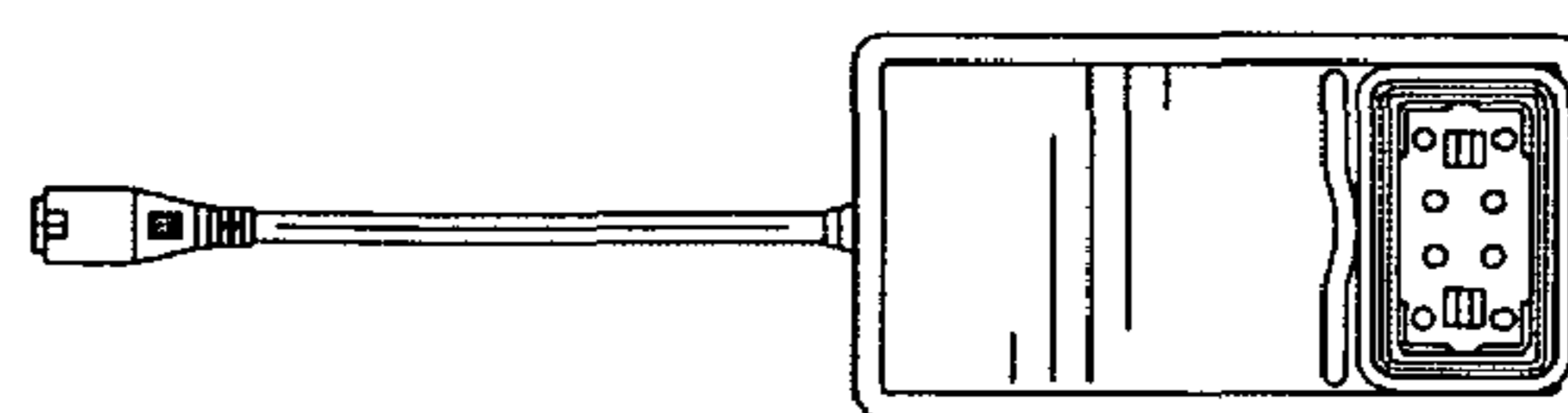


FIG. 8

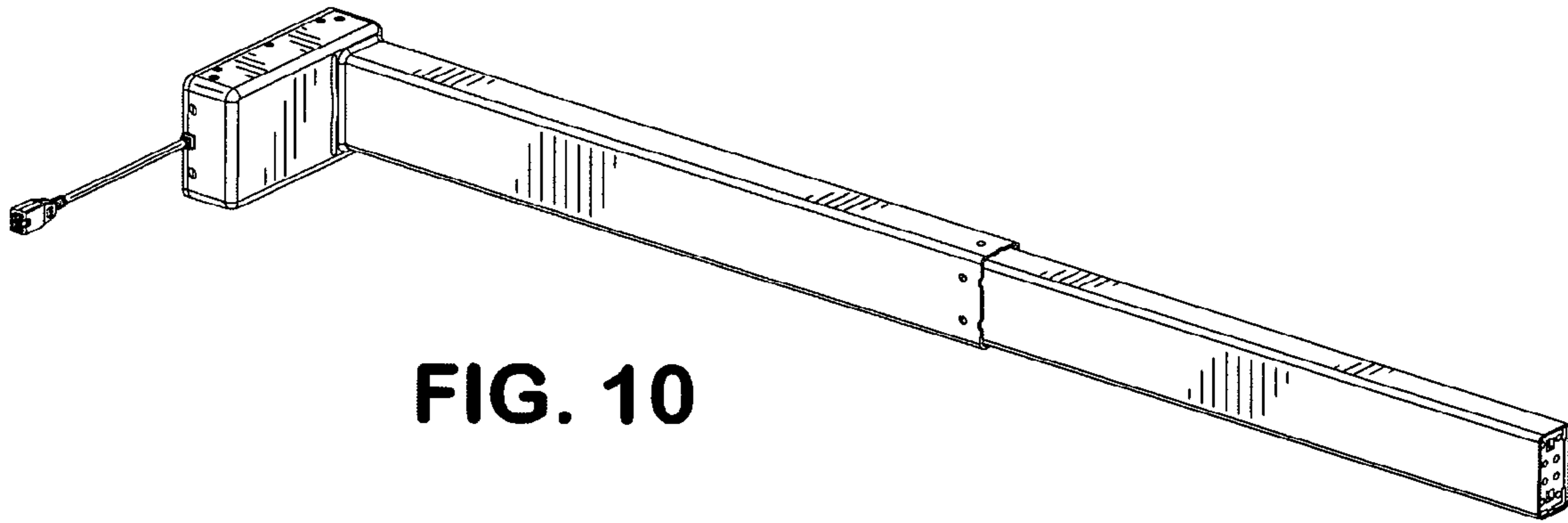


FIG. 10

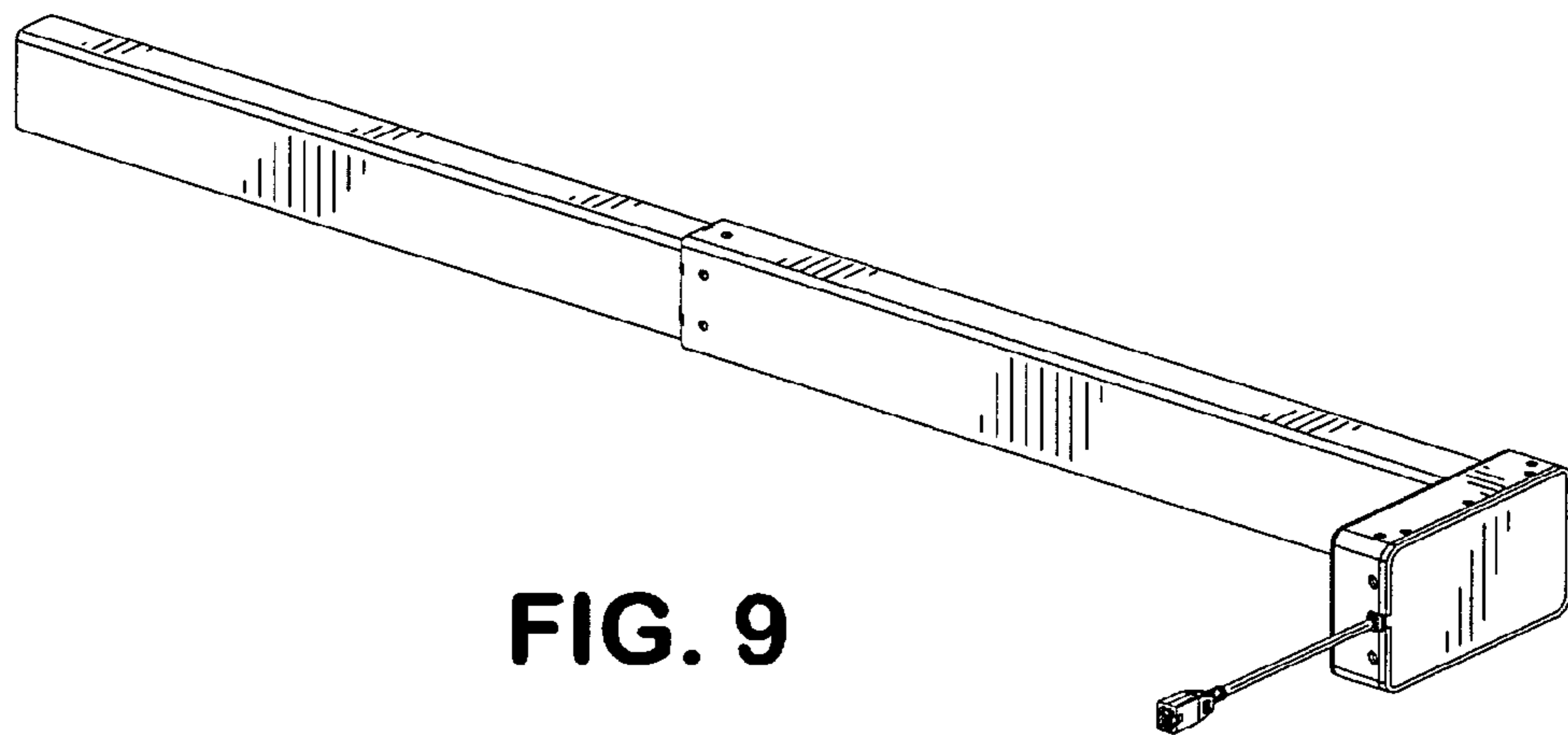


FIG. 9

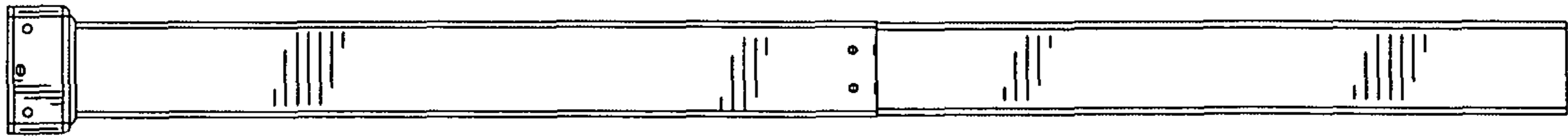


FIG. 12

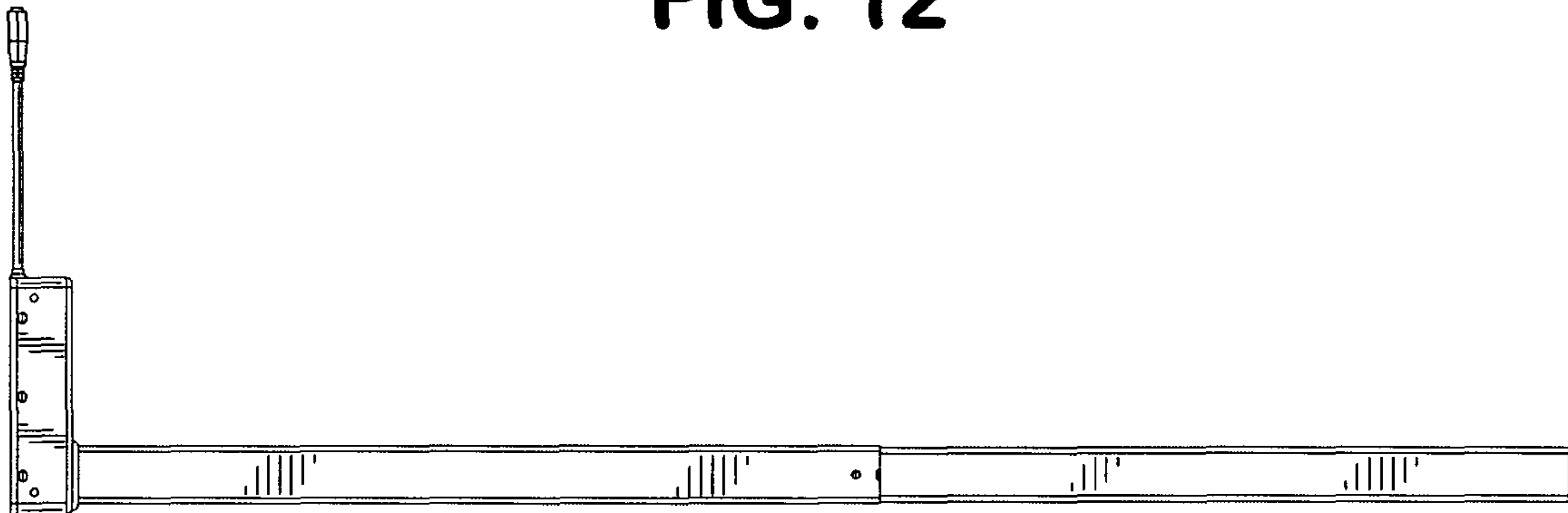


FIG. 13

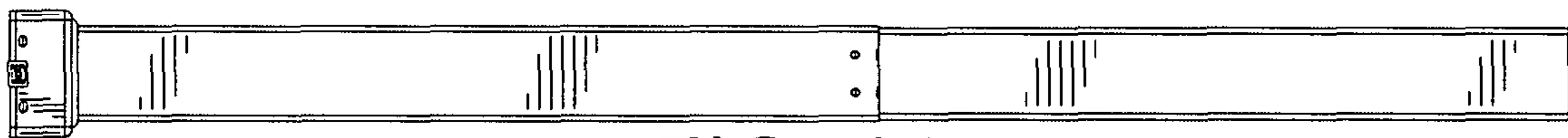


FIG. 11

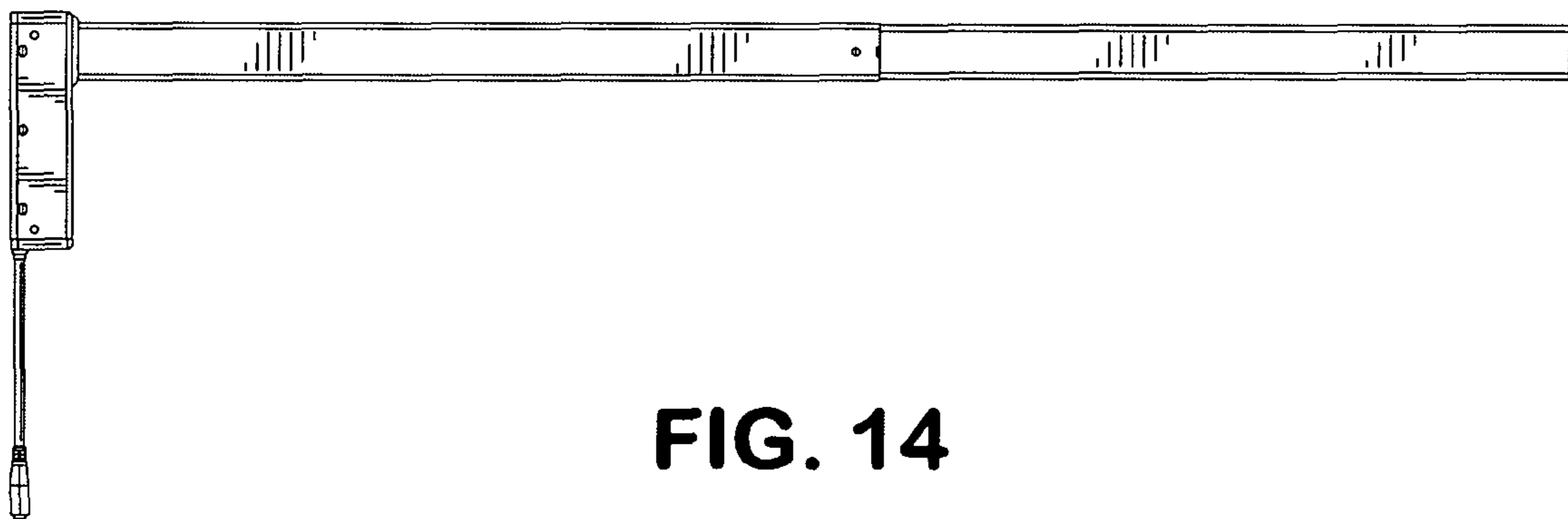


FIG. 14

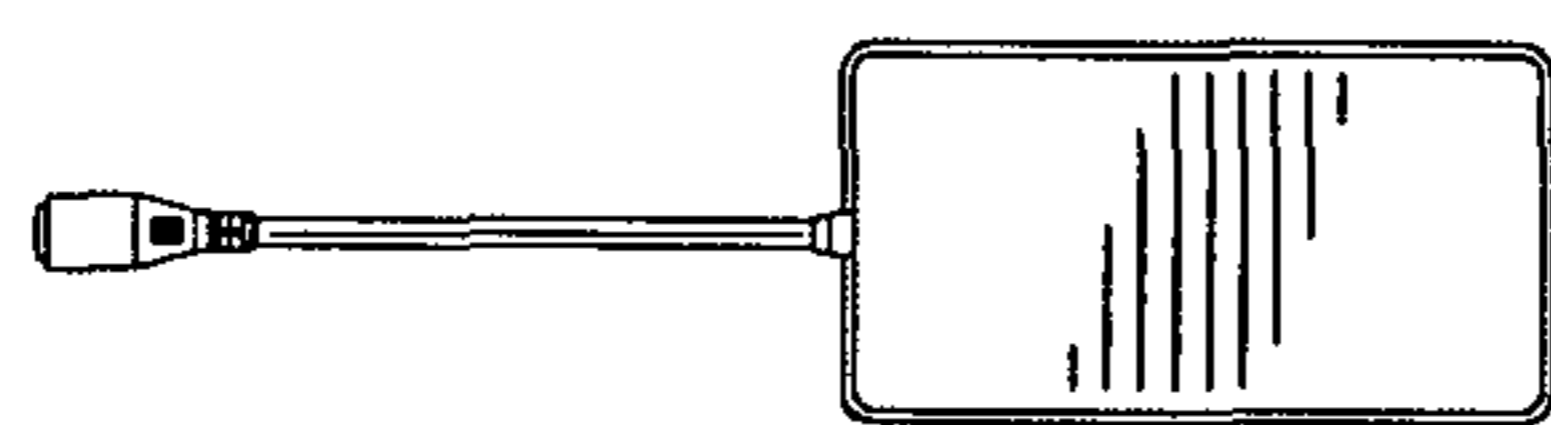


FIG. 15

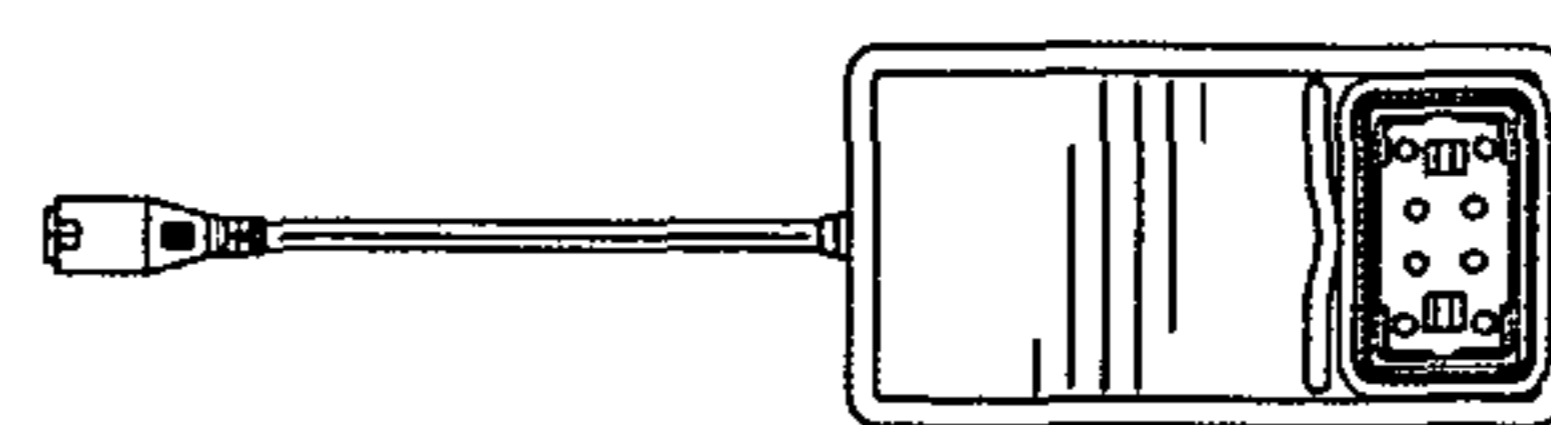


FIG. 16

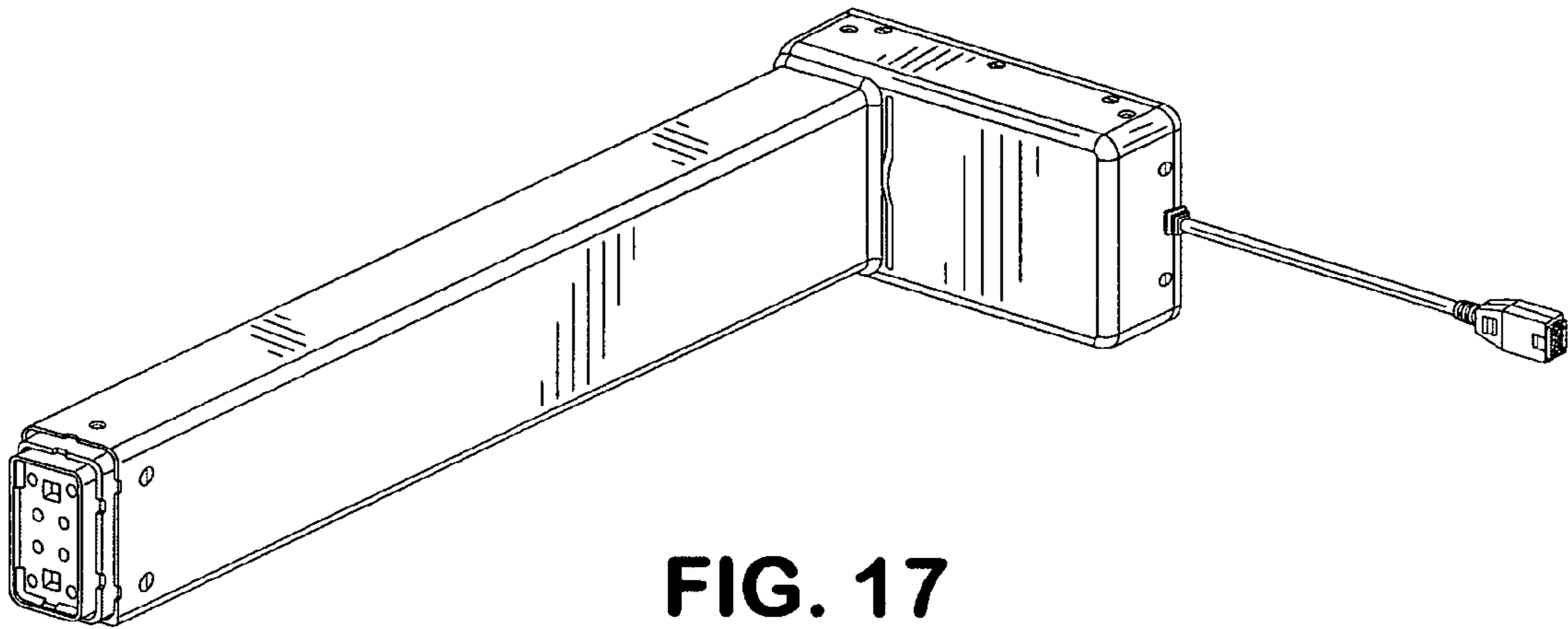


FIG. 17

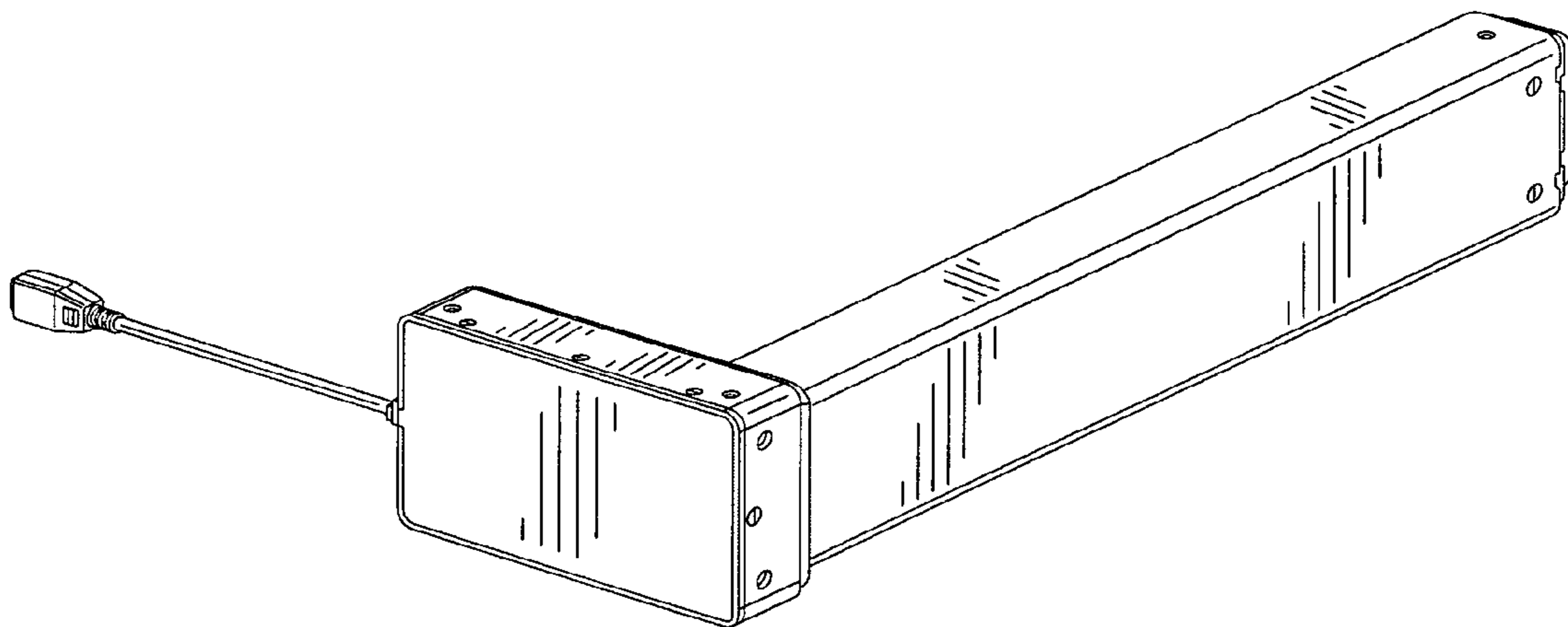


FIG. 18

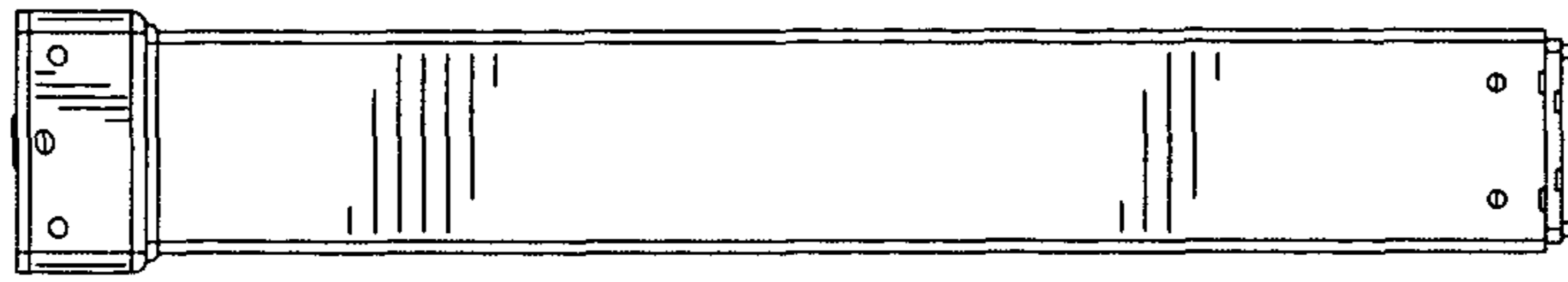


FIG. 20

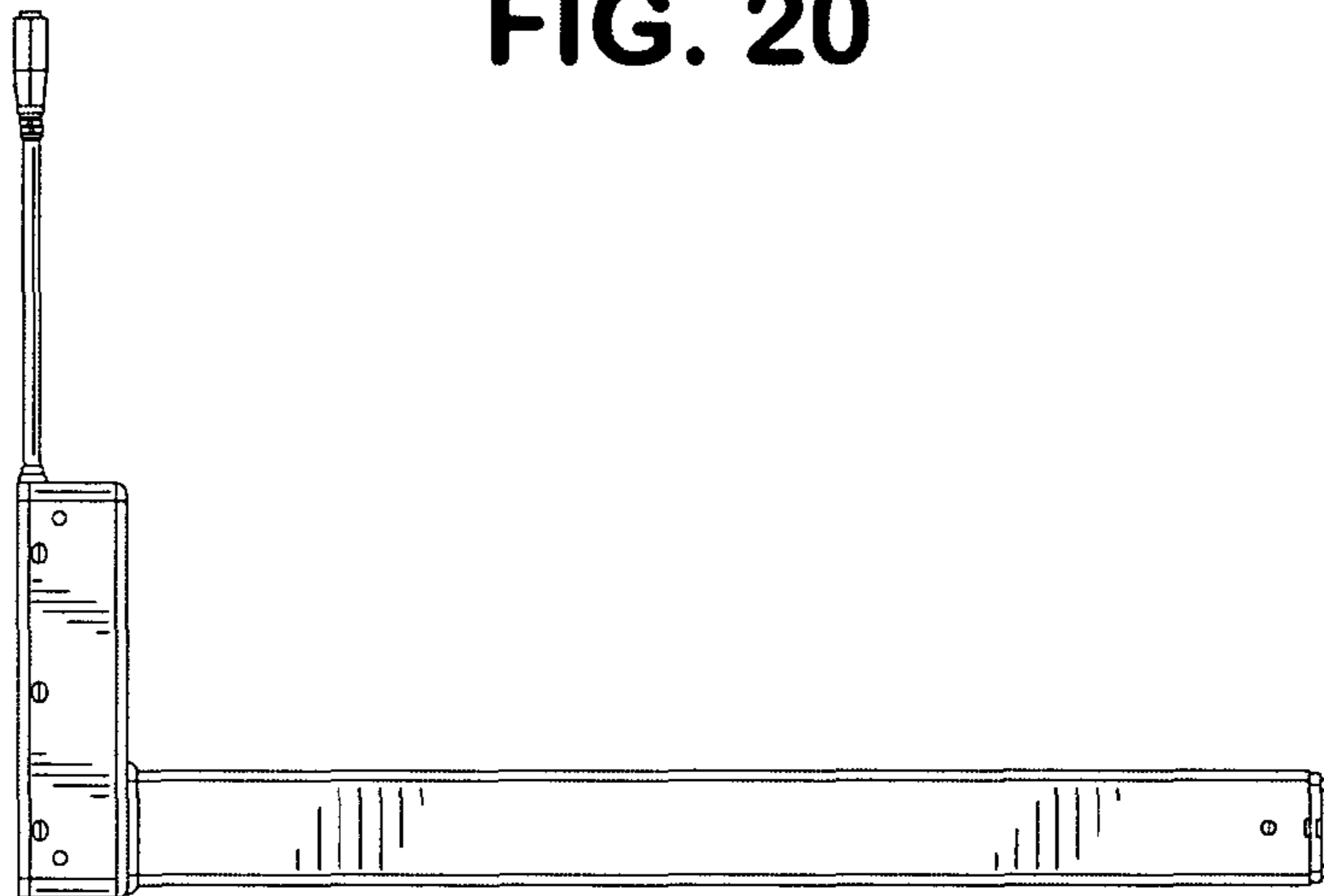


FIG. 21

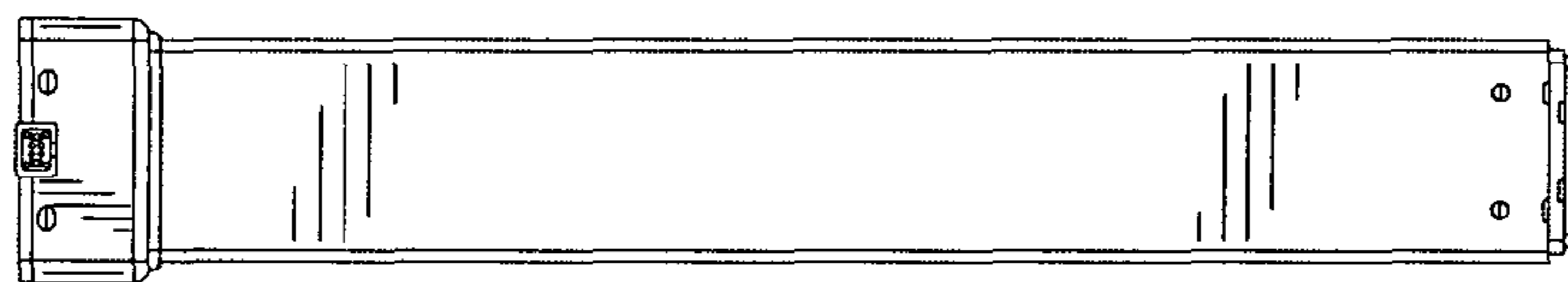


FIG. 19

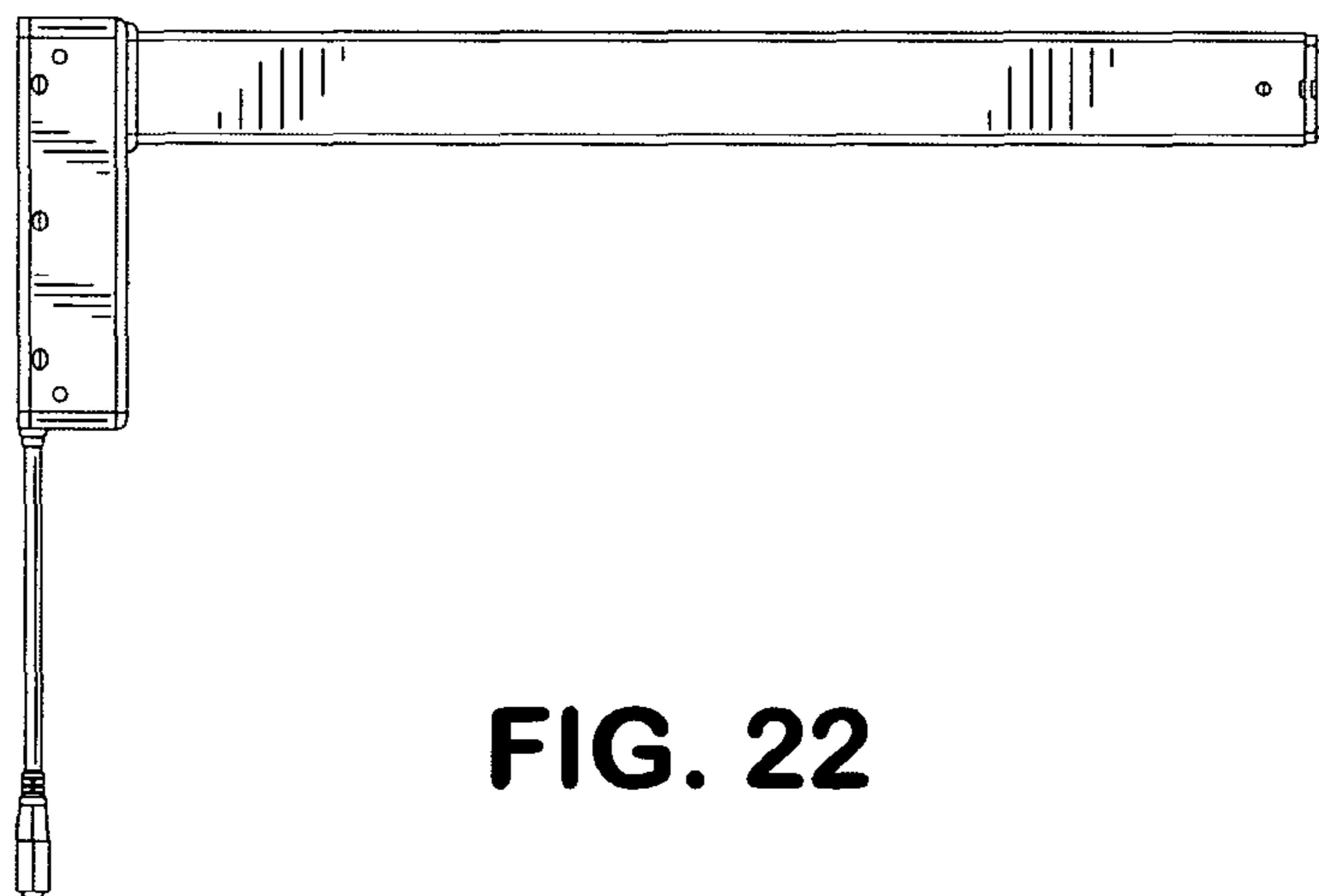


FIG. 22

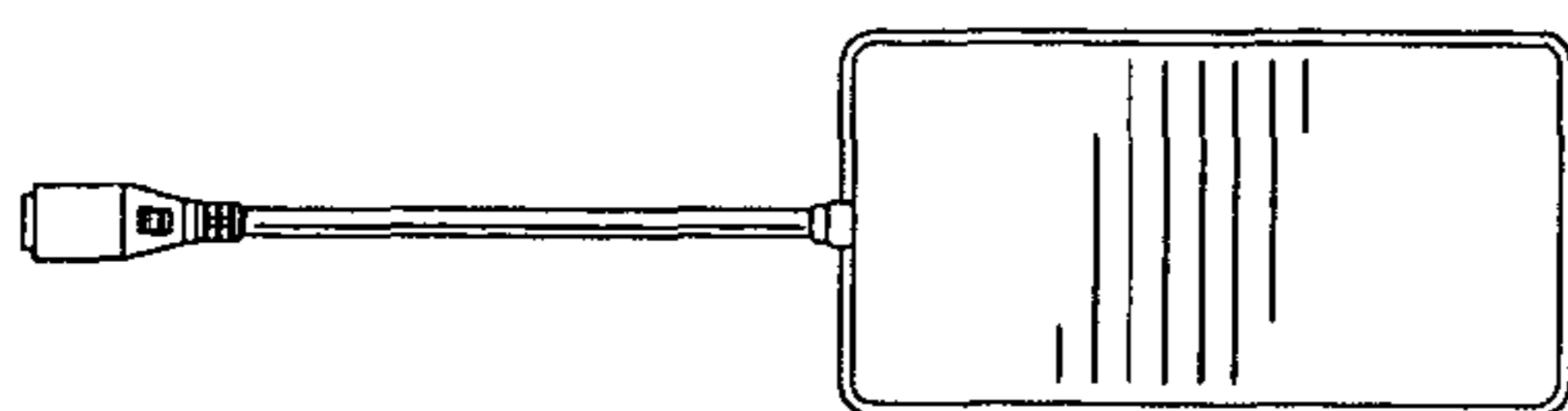


FIG. 24

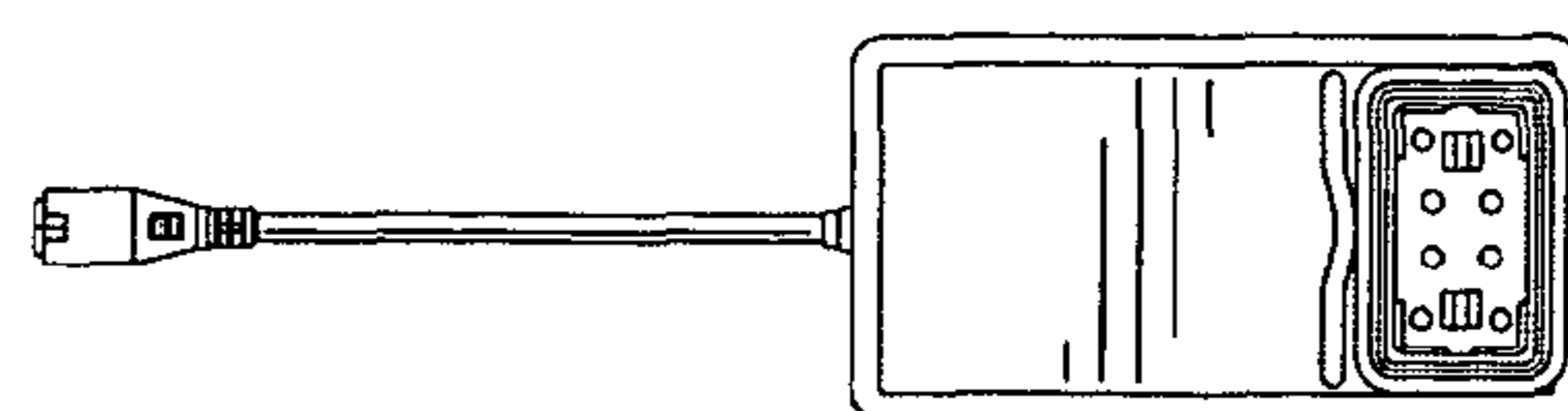


FIG. 23

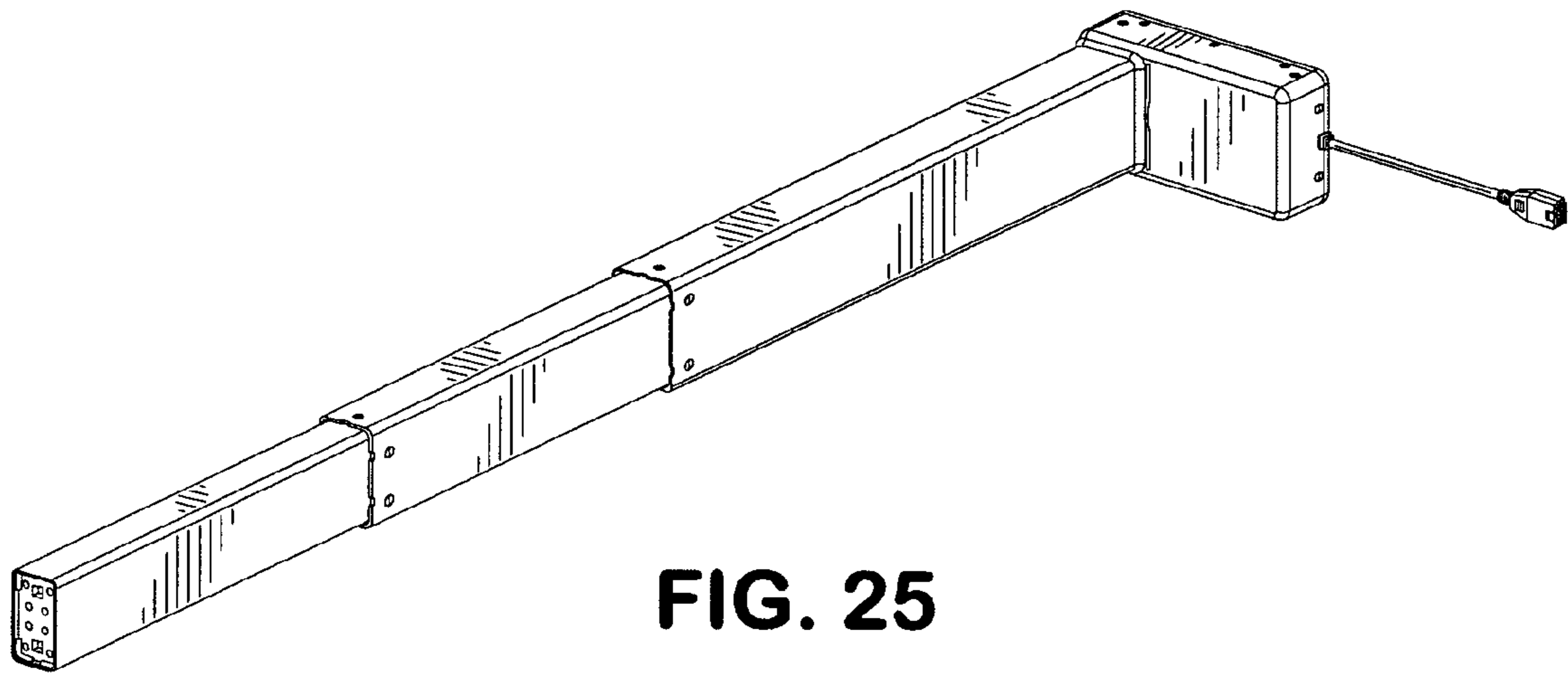


FIG. 25

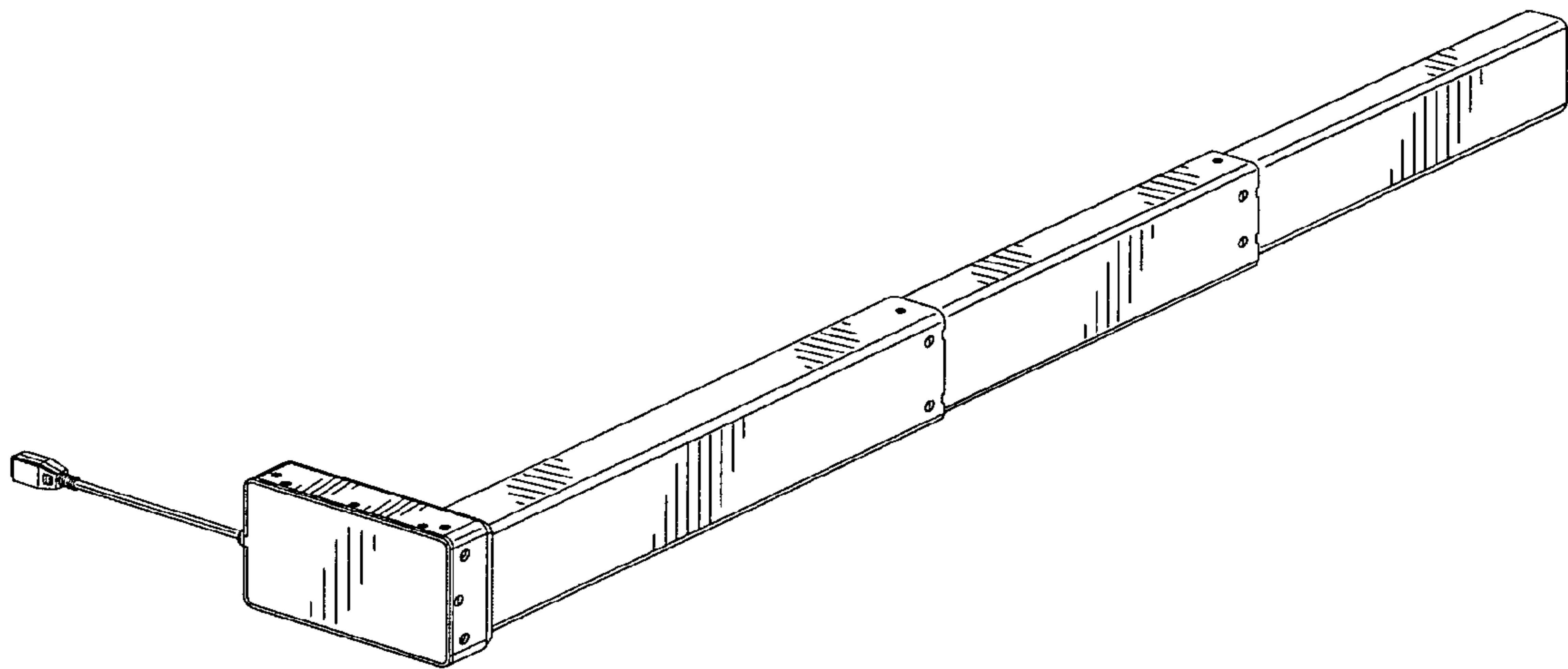


FIG. 26

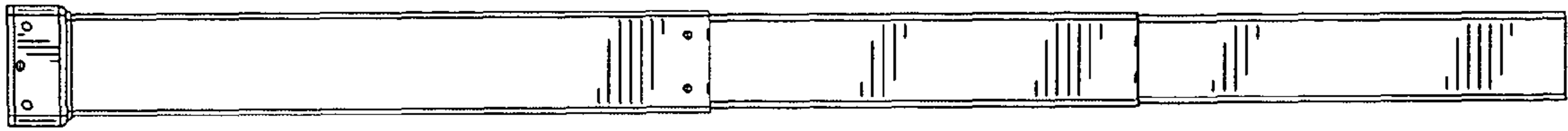


FIG. 28

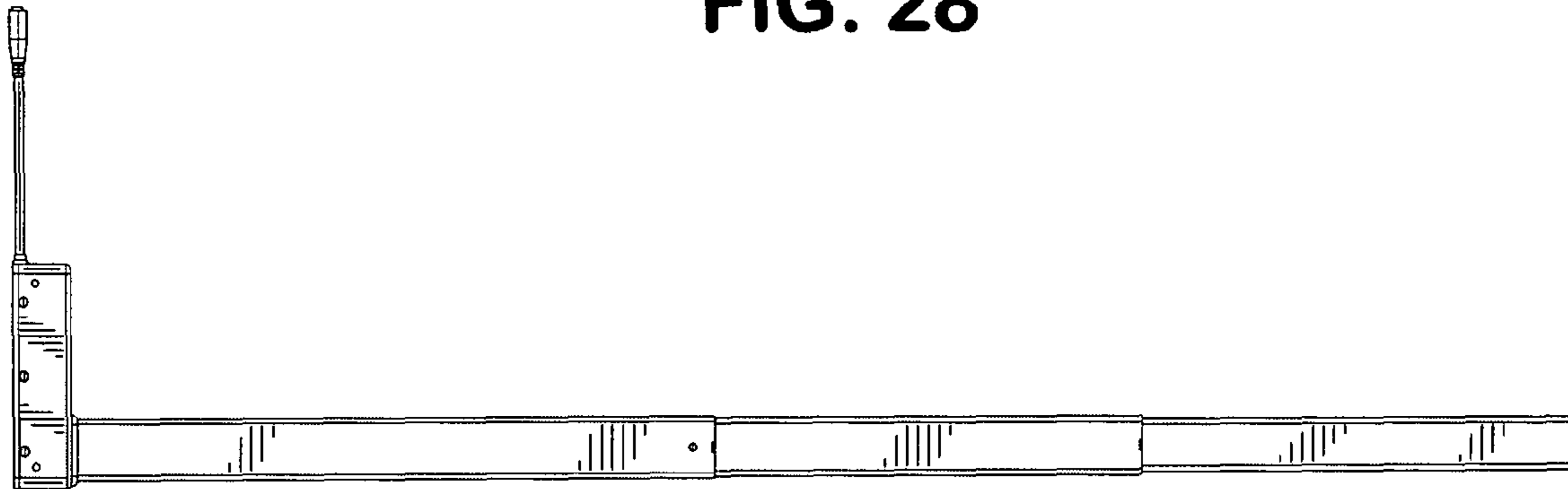


FIG. 29

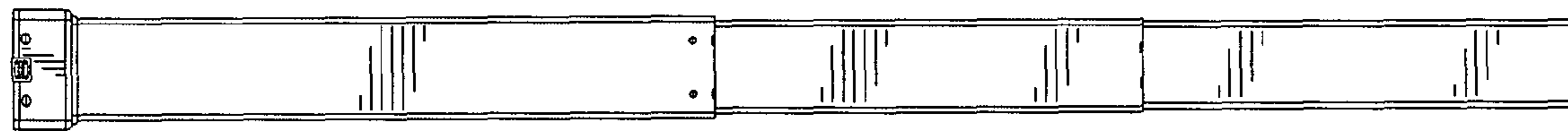


FIG. 27

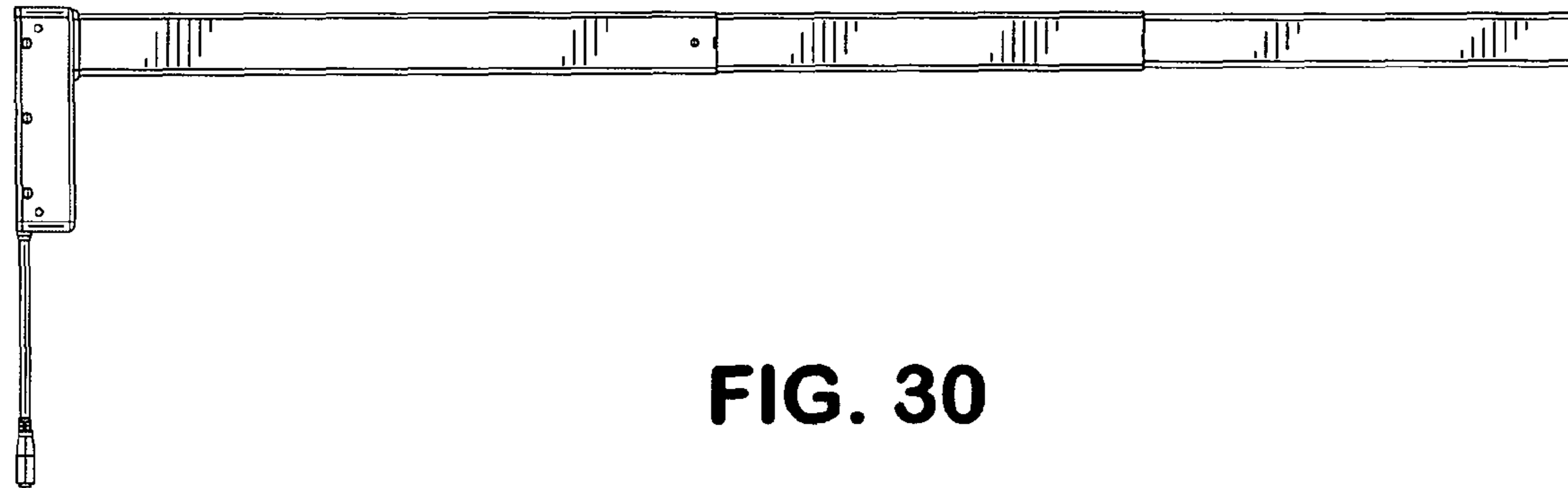


FIG. 30

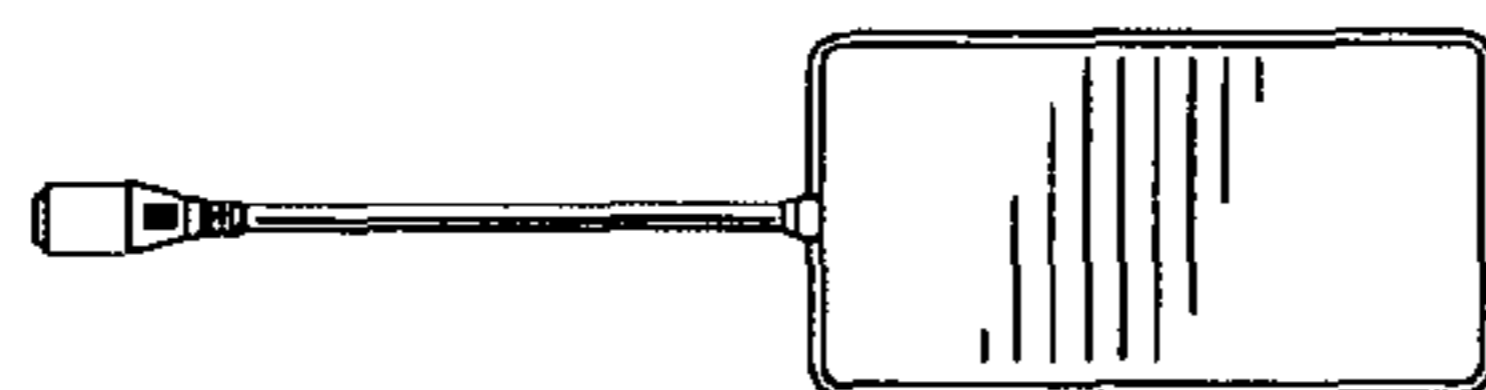


FIG. 31

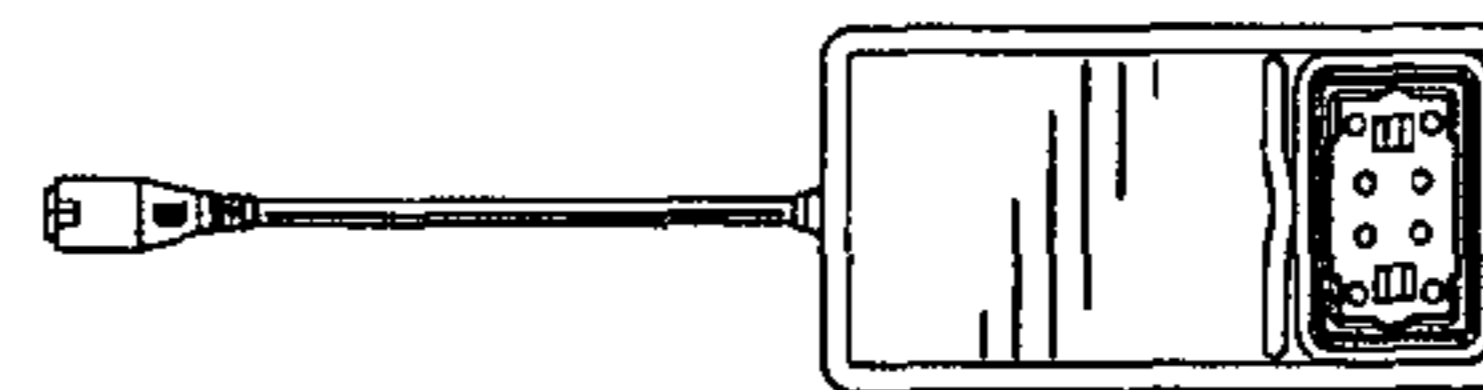


FIG. 32