



US00D624269S

(12) **United States Design Patent**
Uhl et al.

(10) **Patent No.:** **US D624,269 S**
(45) **Date of Patent:** **** Sep. 21, 2010**

(54) **CLEANING TROLLEY**

D555,870 S * 11/2007 Zorzo D34/14
D556,416 S 11/2007 Zorzo

(75) Inventors: **Stephan Uhl**, Monheim (DE); **Matthias Menzel**, Langenfeld (DE); **Stefan Rutschmann**, Düsseldorf (DE); **Dario Enzo Sforza**, Düsseldorf (DE); **Klaus-Günter Hub**, Idar Oberstein (DE); **Martin Stützel**, Idar Oberstein (DE)

(Continued)

FOREIGN PATENT DOCUMENTS

DE 31 41 495 A1 5/1983

(Continued)

OTHER PUBLICATIONS

(73) Assignee: **Ecolab Inc.**, St. Paul, MN (US)

Community Design Registration CDR 001072581-0001, published Jan. 26, 2009, Holder: Ecolab Inc. OAMI-Online-RCD Online. <http://oami.europa.eu/ECDOOnline/RequestManager?print=1> Mar. 8, 2010.

(**) Term: **14 Years**

(21) Appl. No.: **29/346,604**

(Continued)

(22) Filed: **Nov. 3, 2009**

Primary Examiner—Cynthia E Ramirez
(74) *Attorney, Agent, or Firm*—IPLM Group, P.A.

(51) **LOC (9) Cl.** **12-02**

(52) **U.S. Cl.** **D34/17**

(58) **Field of Classification Search** D34/12-27;
280/47.34, 47.35, 79.2, 47.26, 79.5, 564,
280/659, 47.17, 47.18, 47.24

See application file for complete search history.

(57) **CLAIM**

The ornamental design for a cleaning trolley, as shown and described.

DESCRIPTION

(56) **References Cited**

U.S. PATENT DOCUMENTS

- 4,404,704 A 9/1983 Rabban
- D273,242 S * 3/1984 Maza et al. D34/21
- 4,986,555 A 1/1991 Andreen
- 5,326,117 A * 7/1994 Cook 280/79.2
- 5,913,528 A 6/1999 Kresse et al.
- 5,975,544 A 11/1999 Kresse et al.
- 6,070,808 A 6/2000 Kildow
- 6,497,423 B1 * 12/2002 Perelli et al. 280/47.34
- 6,502,838 B1 1/2003 Kresse et al.
- 7,104,556 B1 9/2006 Young
- D533,705 S 12/2006 Bertucci et al.
- D555,869 S 11/2007 Zorzo

FIG. 1 is a perspective view of a cleaning trolley constructed according to the principles of the present invention;

FIG. 2 is a side view of the cleaning trolley shown in FIG. 1, the other side is a mirror image thereof;

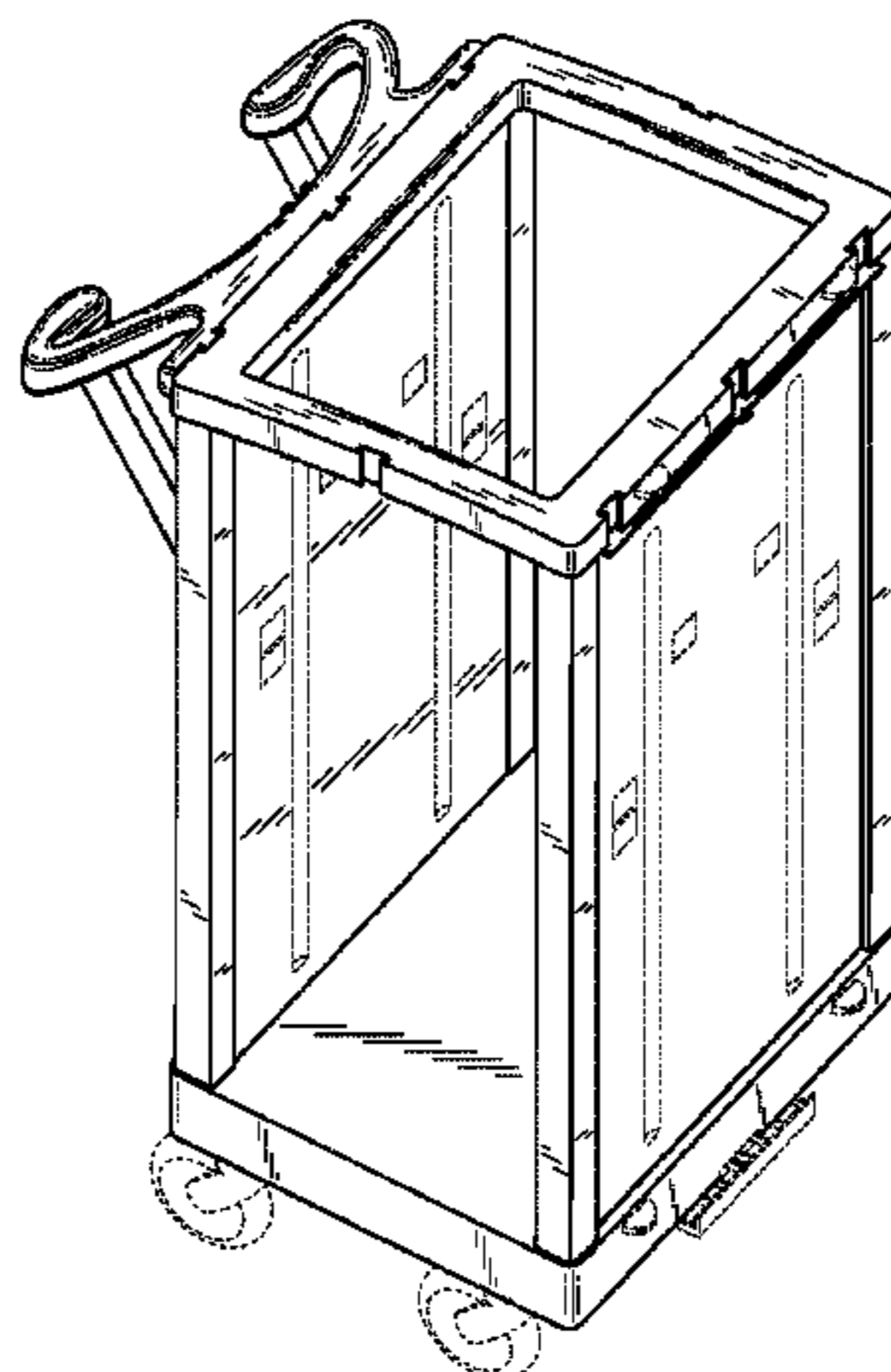
FIG. 3 is a top view of the cleaning trolley shown in FIG. 1; FIG. 4 is a bottom view of the cleaning trolley shown in FIG. 1;

FIG. 5 is a front view of the cleaning trolley shown in FIG. 1; and,

FIG. 6 is a rear view of the cleaning trolley shown in FIG. 1.

The broken line showing of some elements in the figures is included for the purpose of illustrating environment and forms no part of the claimed design.

1 Claim, 5 Drawing Sheets



US D624,269 S

Page 2

U.S. PATENT DOCUMENTS

| | | | | |
|--------------|------|---------|-----------------------|-----------|
| D556,417 | S | 11/2007 | Zorzo | |
| D556,418 | S | 11/2007 | Zorzo | |
| D558,949 | S | 1/2008 | Zorzo | |
| D575,473 | S * | 8/2008 | Presnell | D34/27 |
| D594,170 | S * | 6/2009 | Catron | D34/14 |
| D607,172 | S * | 12/2009 | Catron | D34/14 |
| 7,648,147 | B2 * | 1/2010 | Lauer et al. | 280/47.35 |
| 2002/0109318 | A1 | 8/2002 | Calmeise et al. | |
| 2003/0122331 | A1 * | 7/2003 | DiGiacomo et al. | 280/47.35 |
| 2004/0262867 | A1 | 12/2004 | Arceta et al. | |
| 2005/0011037 | A1 | 1/2005 | Zhao et al. | |
| 2006/0010637 | A1 | 1/2006 | Duncan et al. | |
| 2006/0053579 | A1 | 3/2006 | Bruno | |
| 2006/0163827 | A1 | 7/2006 | Lauer et al. | |
| 2007/0267832 | A1 | 11/2007 | Denissov | |
| 2007/0289788 | A1 | 12/2007 | Salmon | |
| 2008/0029981 | A1 | 2/2008 | Dukes | |
| 2008/0185940 | A1 | 8/2008 | Lindner et al. | |
| 2009/0026732 | A1 | 1/2009 | Lindner et al. | |

FOREIGN PATENT DOCUMENTS

| | | | |
|----|-----------------|----|---------|
| DE | 43 22 626 | A1 | 1/1995 |
| DE | 195 04 771 | A1 | 8/1995 |
| DE | 44 07 014 | A1 | 9/1995 |
| DE | 199 44 955 | A1 | 4/2000 |
| DE | 100 03 138 | C1 | 5/2001 |
| DE | 203 06 728 | U1 | 9/2003 |
| DE | 203 03 477 | U1 | 2/2004 |
| DE | 20 2004 003 525 | U1 | 6/2004 |
| DE | 20 2005 008 791 | U1 | 10/2006 |
| DE | 10 2005 044 983 | B3 | 1/2007 |
| DE | 10 2005 044 984 | B3 | 1/2007 |
| EP | 0 452 674 | A1 | 10/1991 |
| EP | 0 570 900 | A1 | 11/1993 |
| EP | 0 801 925 | B1 | 10/1997 |
| EP | 0 878 374 | B1 | 11/1998 |
| EP | 1 013 214 | A1 | 6/2000 |
| EP | 1 036 723 | B1 | 9/2000 |
| EP | 1 053 926 | A2 | 11/2000 |
| EP | 1 184 578 | A2 | 3/2002 |
| EP | 1 190 664 | A2 | 3/2002 |
| EP | 1 279 582 | A1 | 1/2003 |
| EP | 1 336 463 | A1 | 8/2003 |
| EP | 1 374 751 | A2 | 1/2004 |

| | | | |
|----|----------------|----|---------|
| EP | 1 437 283 | B1 | 7/2004 |
| EP | 1 454 809 | B1 | 9/2004 |
| EP | 1 512 606 | A1 | 3/2005 |
| EP | 1 849 393 | A2 | 10/2007 |
| FR | 2 748 440 | | 11/1997 |
| GB | 2 264 088 | A | 8/1993 |
| GB | 2 355 754 | A | 5/2001 |
| GB | 2 383 980 | A | 7/2003 |
| GB | 2 388 156 | A | 11/2003 |
| GB | 2 388 577 | B | 8/2004 |
| WO | WO 91/11952 | | 8/1991 |
| WO | WO 95/00063 | | 1/1995 |
| WO | WO 95/23548 | | 9/1995 |
| WO | WO 95/23720 | | 9/1995 |
| WO | WO 99/00050 | | 1/1999 |
| WO | WO 99/23931 | | 5/1999 |
| WO | WO 99/65710 | | 12/1999 |
| WO | WO 00/54646 | | 9/2000 |
| WO | WO 01/44035 | A1 | 6/2001 |
| WO | WO 01/66408 | A1 | 9/2001 |
| WO | WO 02/051686 | A1 | 7/2002 |
| WO | WO 03/086166 | A1 | 10/2003 |
| WO | WO 03/088803 | A1 | 10/2003 |
| WO | WO 2006/053079 | A1 | 5/2006 |
| WO | WO 2006/078947 | A2 | 7/2006 |
| WO | WO 2007/033724 | A1 | 3/2007 |
| WO | WO 2007/033725 | A2 | 3/2007 |

OTHER PUBLICATIONS

Community Design Registration CDR 001072581-0002, published Jan. 26, 2009, Holder: Ecolab Inc. OAMI-Online-RCD Online. <http://oami.europa.eu/ECDOnline/RequestManager?print=1> Mar. 8, 2010.

Community Design Registration CDR 001072581-0003, published Jan. 26, 2009, Holder: Ecolab Inc. OAMI-Online-RCD Online. <http://oami.europa.eu/ECDOnline/RequestManager?print=1> Mar. 8, 2010.

Community Design Registration CDR 001072581-0004, published Jan. 26, 2009, Holder: Ecolab Inc. OAMI-Online-RCD Online. <http://oami.europa.eu/ECDOnline/RequestManager?print=1> Mar. 8, 2010.

Community Design Registration CDR 001072581-0005, published Jan. 26, 2009, Holder: Ecolab Inc. OAMI-Online-RCD Online. <http://oami.europa.eu/ECDOnline/RequestManager?print=1> Mar. 8, 2010.

* cited by examiner

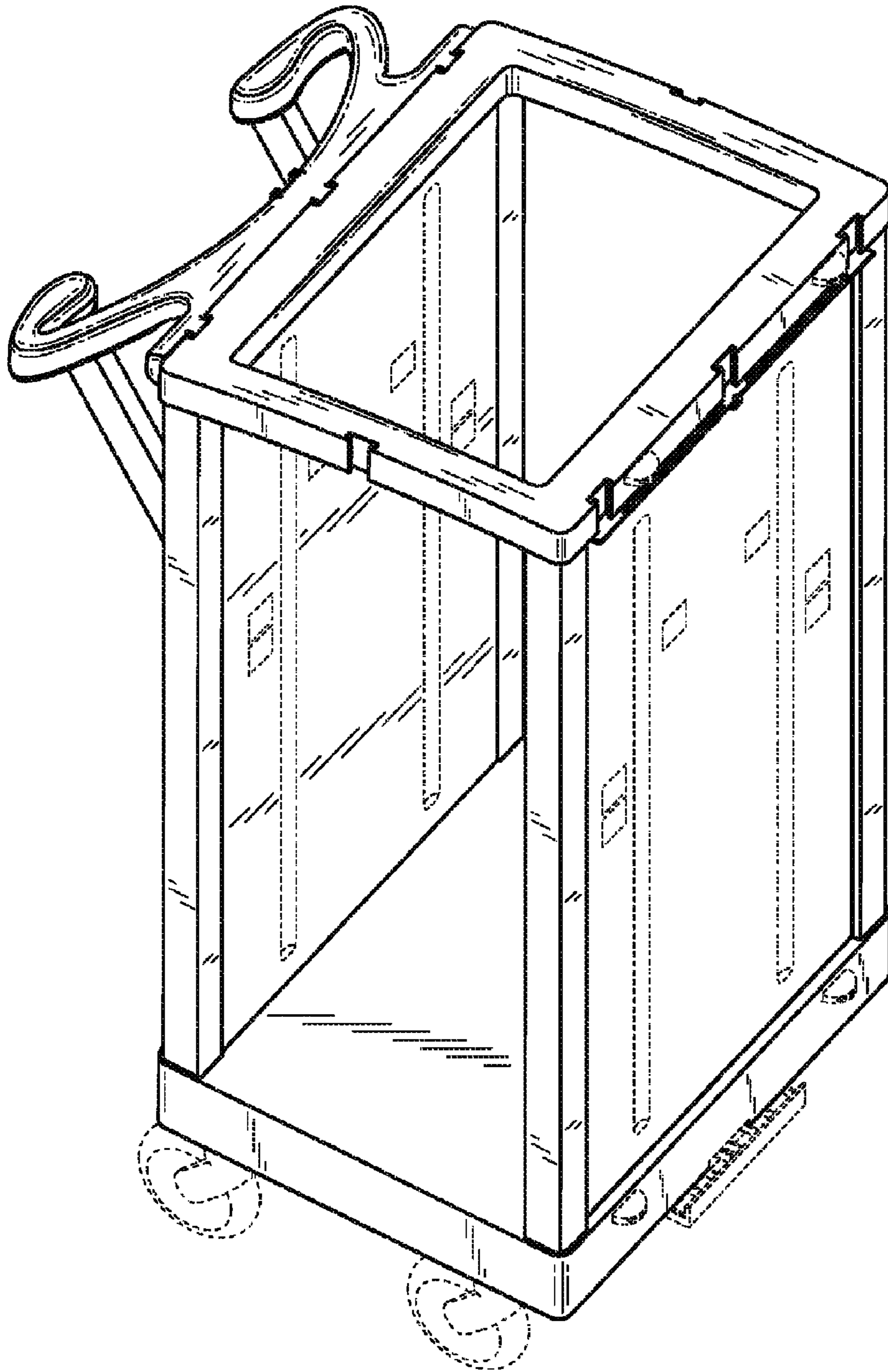


Fig. 1

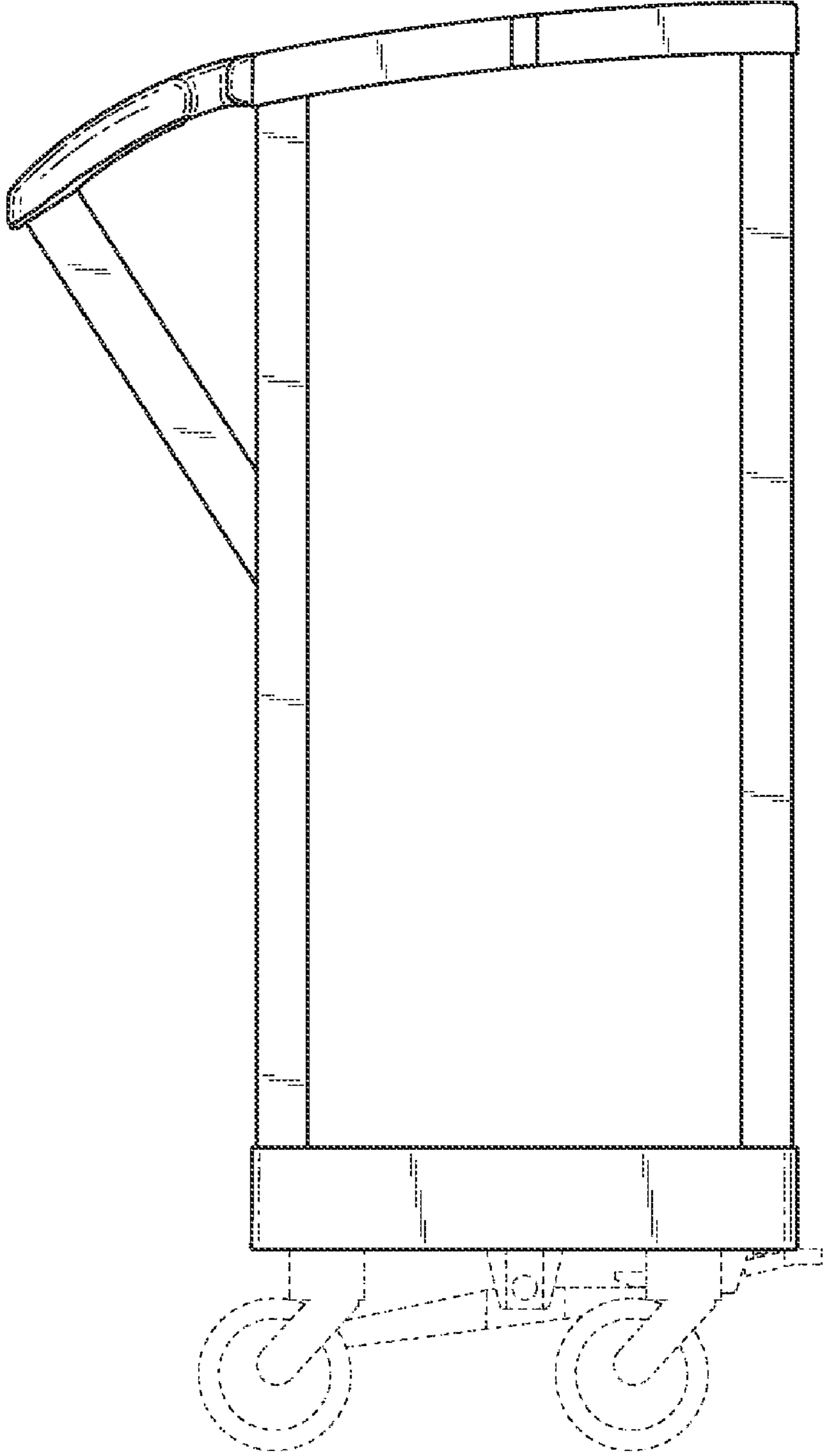


Fig. 2

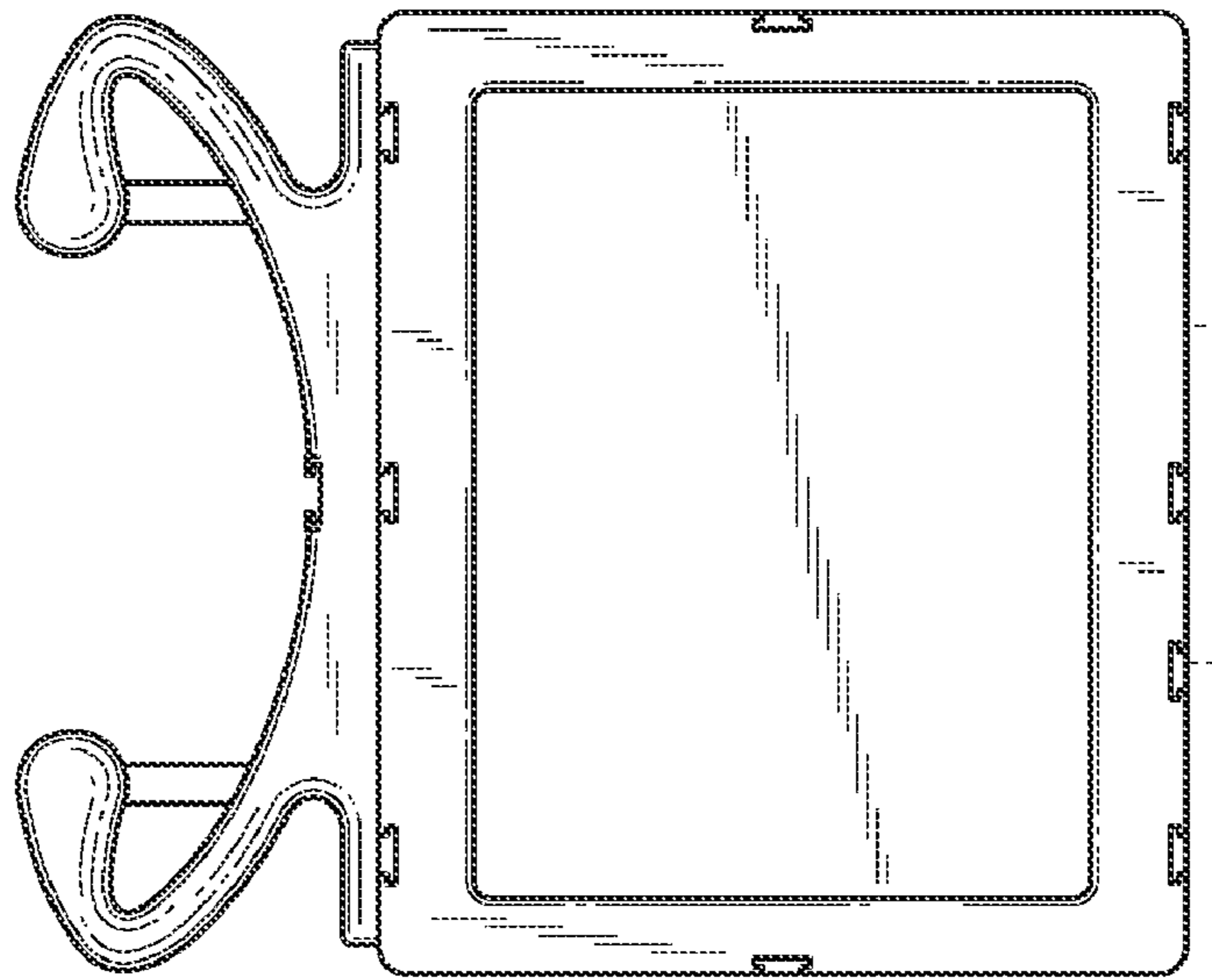


Fig. 3

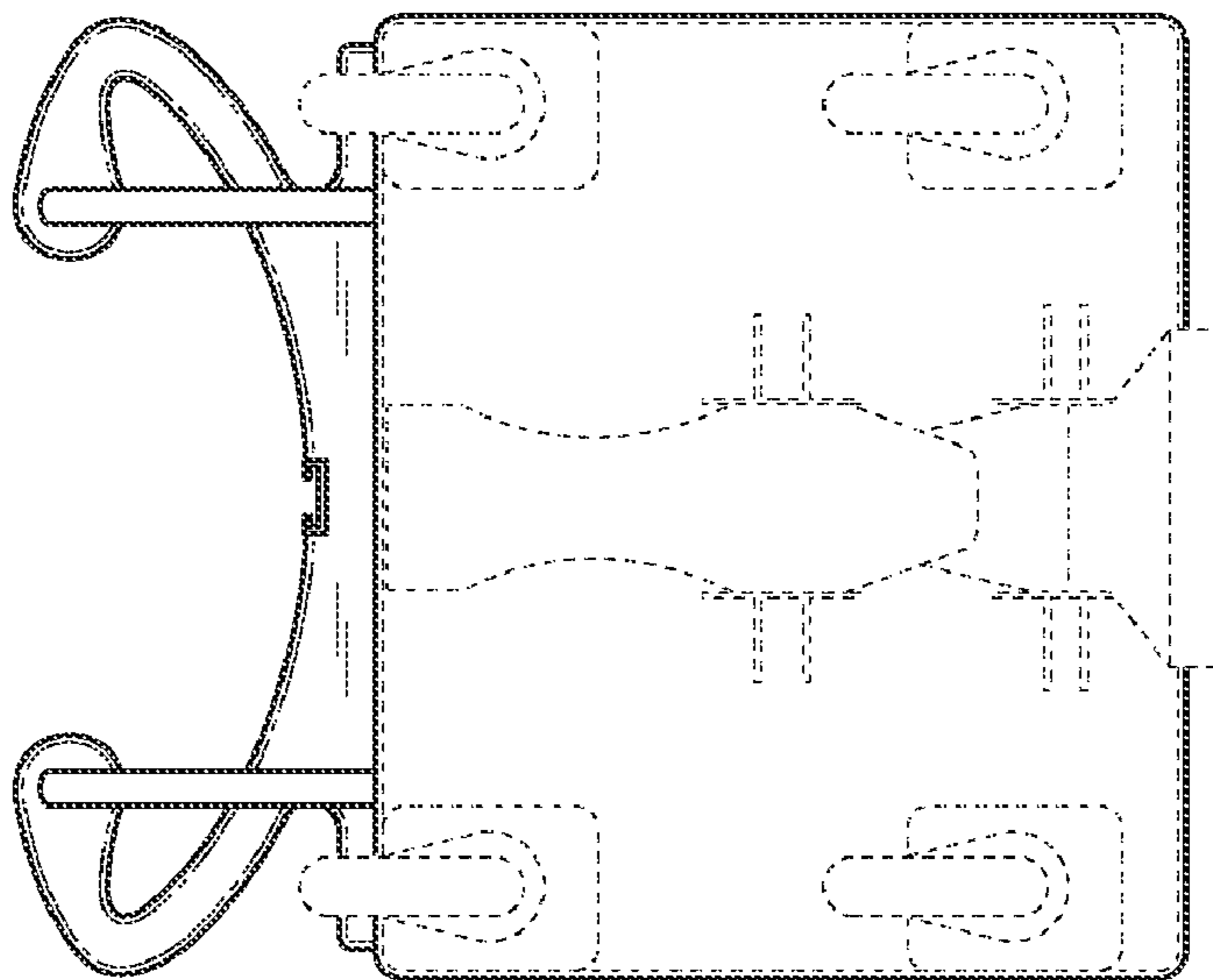


Fig. 4

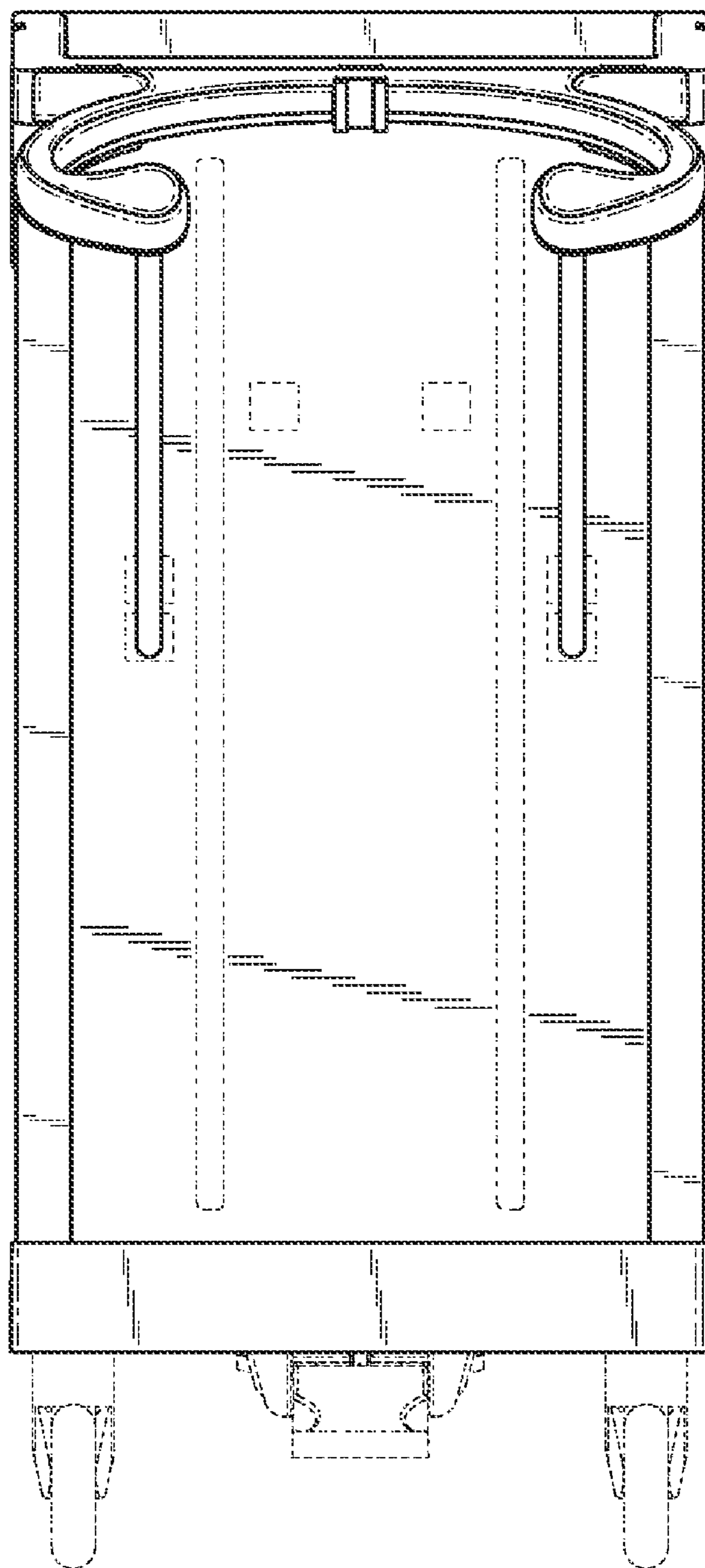


Fig. 6