



US00D624267S

(12) **United States Design Patent**
Ashby

(10) **Patent No.:** **US D624,267 S**

(45) **Date of Patent:** **** Sep. 21, 2010**

(54) **COMPOSTER**

(75) Inventor: **Kent Ashby**, Logan, UT (US)

(73) Assignee: **Lifetime Products, Inc.**, Clearfield, UT (US)

(**) Term: **14 Years**

(21) Appl. No.: **29/342,993**

(22) Filed: **Sep. 3, 2009**

Related U.S. Application Data

(63) Continuation of application No. 29/328,450, filed on Nov. 24, 2008, now Pat. No. Des. 602,222.

(51) **LOC (9) Cl.** **09-09**

(52) **U.S. Cl.** **D34/1**

(58) **Field of Classification Search** D34/1,
D34/5, 6, 7, 8, 9, 10, 11; 220/908-911, 500,
220/555, 675

See application file for complete search history.

(56) **References Cited**

U.S. PATENT DOCUMENTS

D333,713 S 3/1993 Blakemore
D340,559 S 10/1993 Taylor

D352,580 S 11/1994 Cook

D362,524 S 9/1995 Fink

D386,904 S 12/1997 Bradshaw, Jr.

D399,623 S 10/1998 Kearney

D417,537 S * 12/1999 Livingston et al. D34/5

D602,222 S 10/2009 Stanford et al.

* cited by examiner

Primary Examiner—Cynthia E Ramirez

(74) *Attorney, Agent, or Firm*—Workman Nydegger

(57) **CLAIM**

The ornamental design for a composter, as shown and described.

DESCRIPTION

FIG. 1 is a front perspective view of a composter showing our new design;

FIG. 2 is a front view thereof;

FIG. 3 is a rear view thereof;

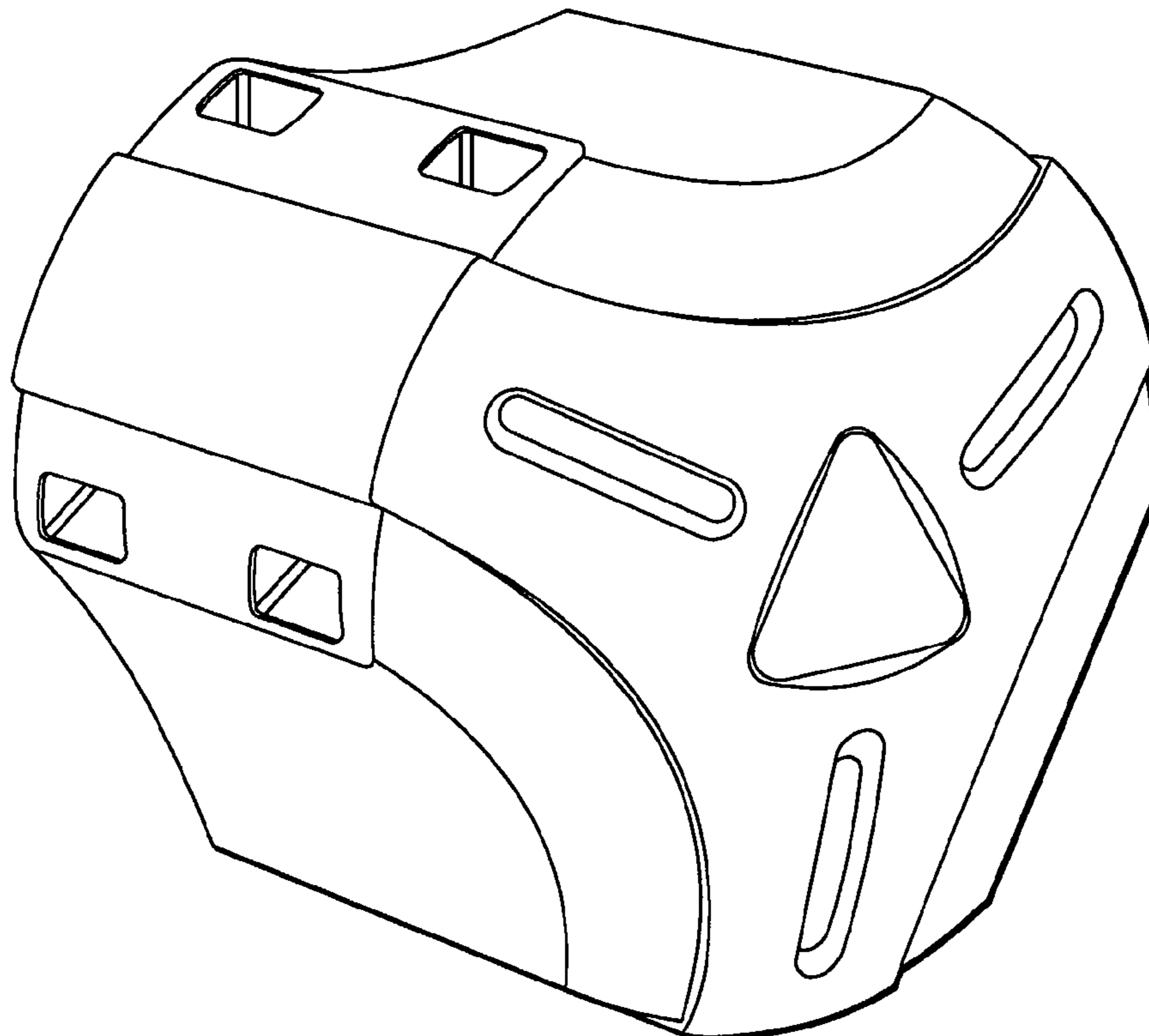
FIG. 4 is a left side view thereof;

FIG. 5 is a right side view thereof;

FIG. 6 is a top view thereof; and,

FIG. 7 is a bottom view thereof.

1 Claim, 4 Drawing Sheets



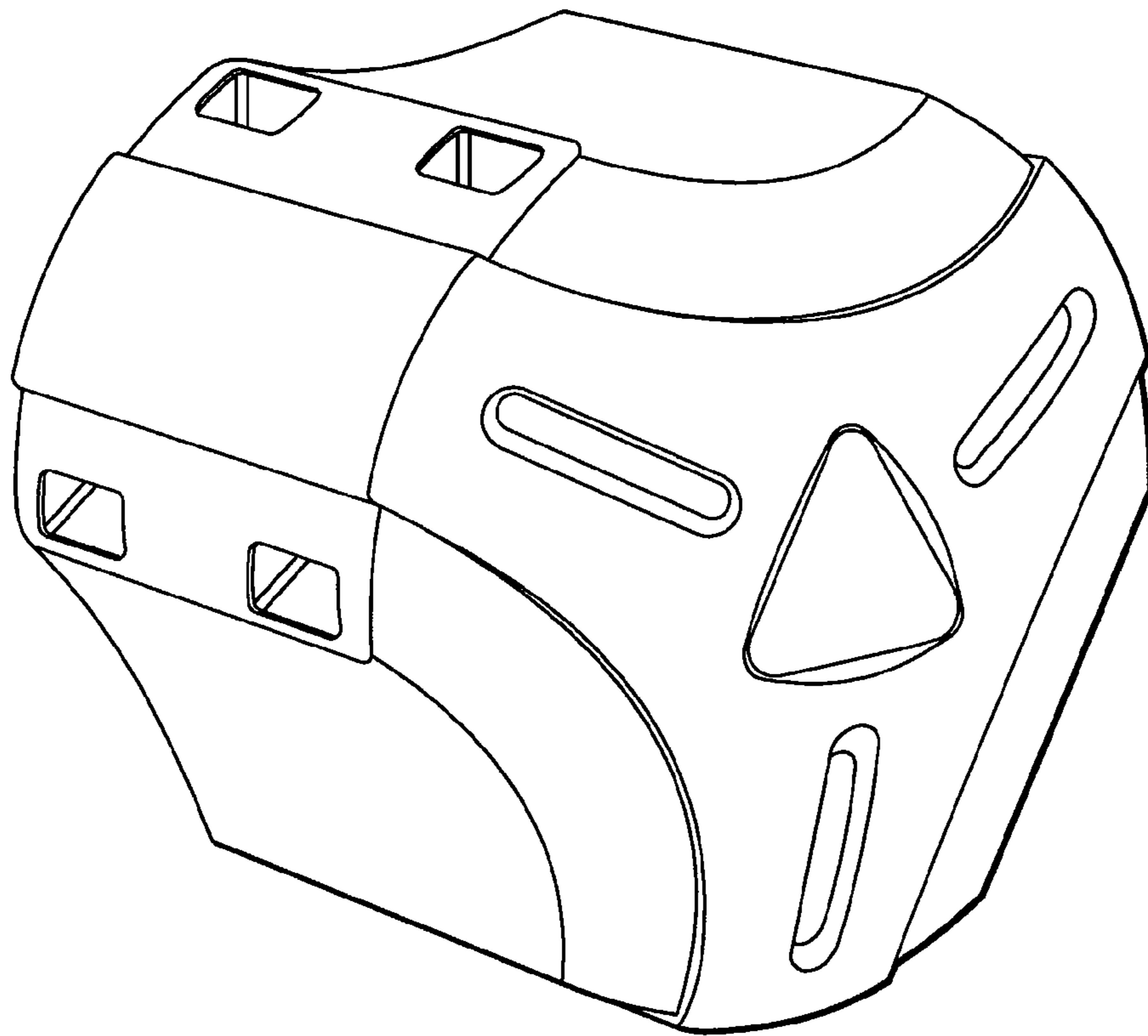


Fig. 1

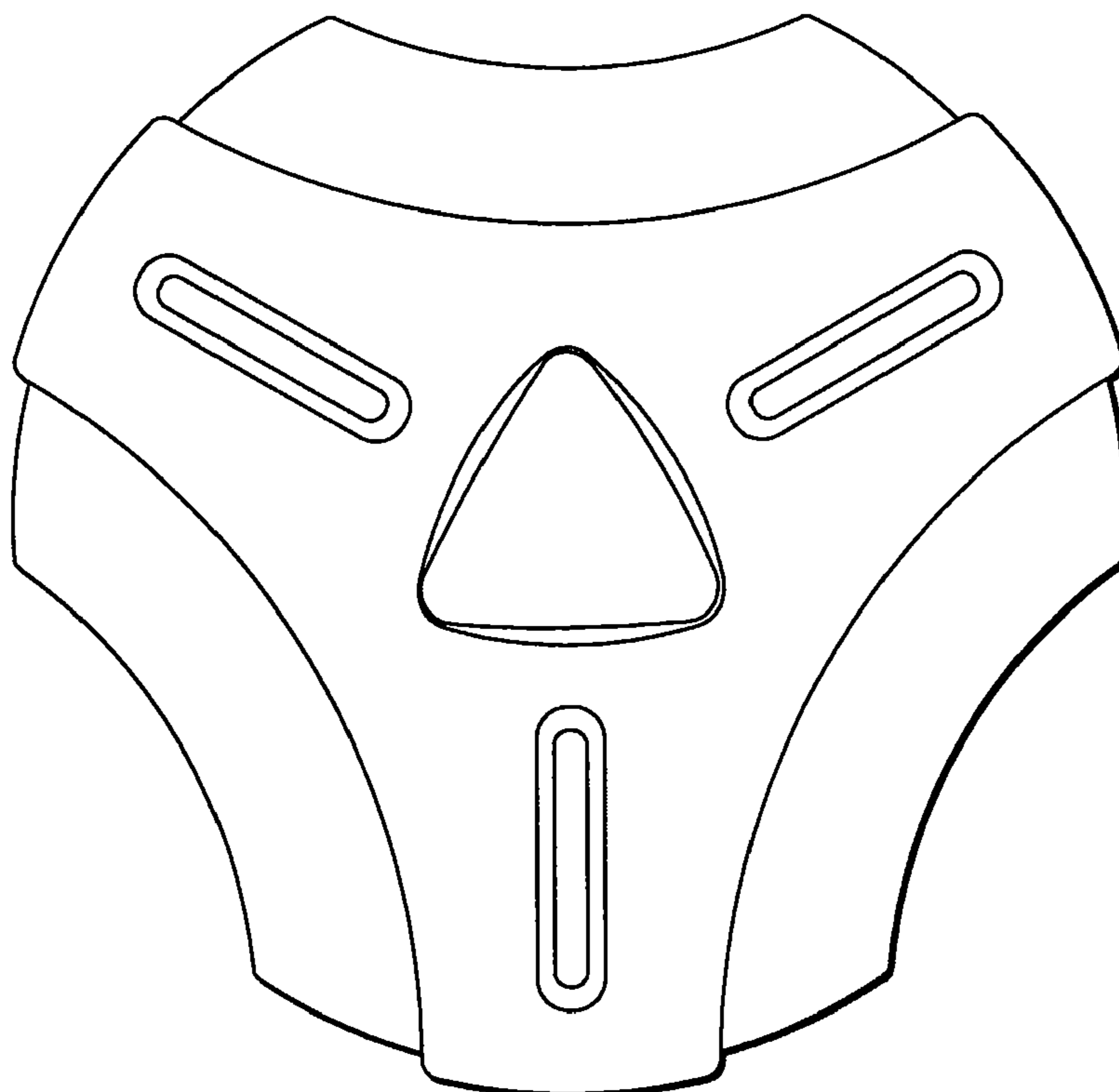


Fig. 2

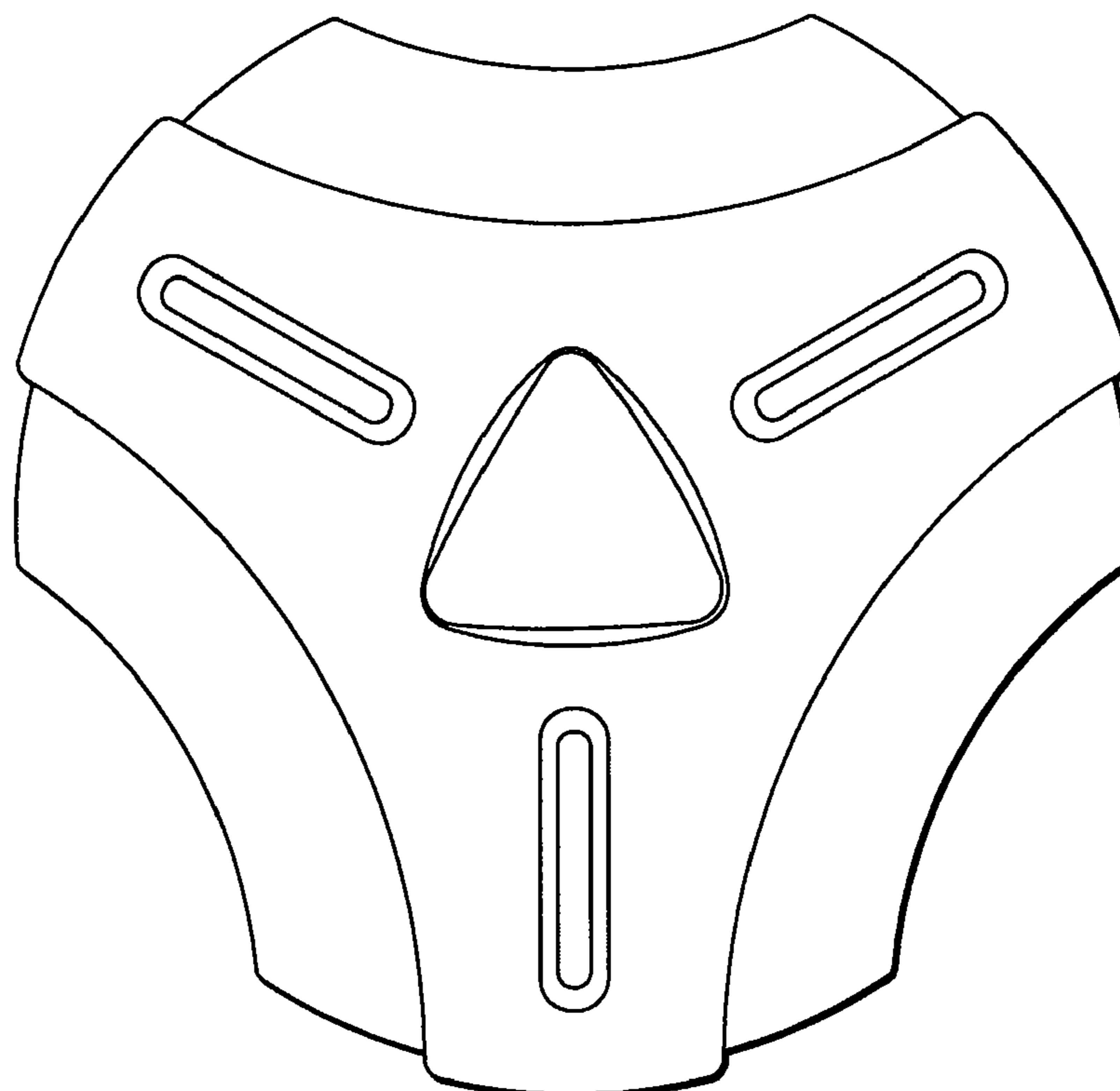


Fig. 3

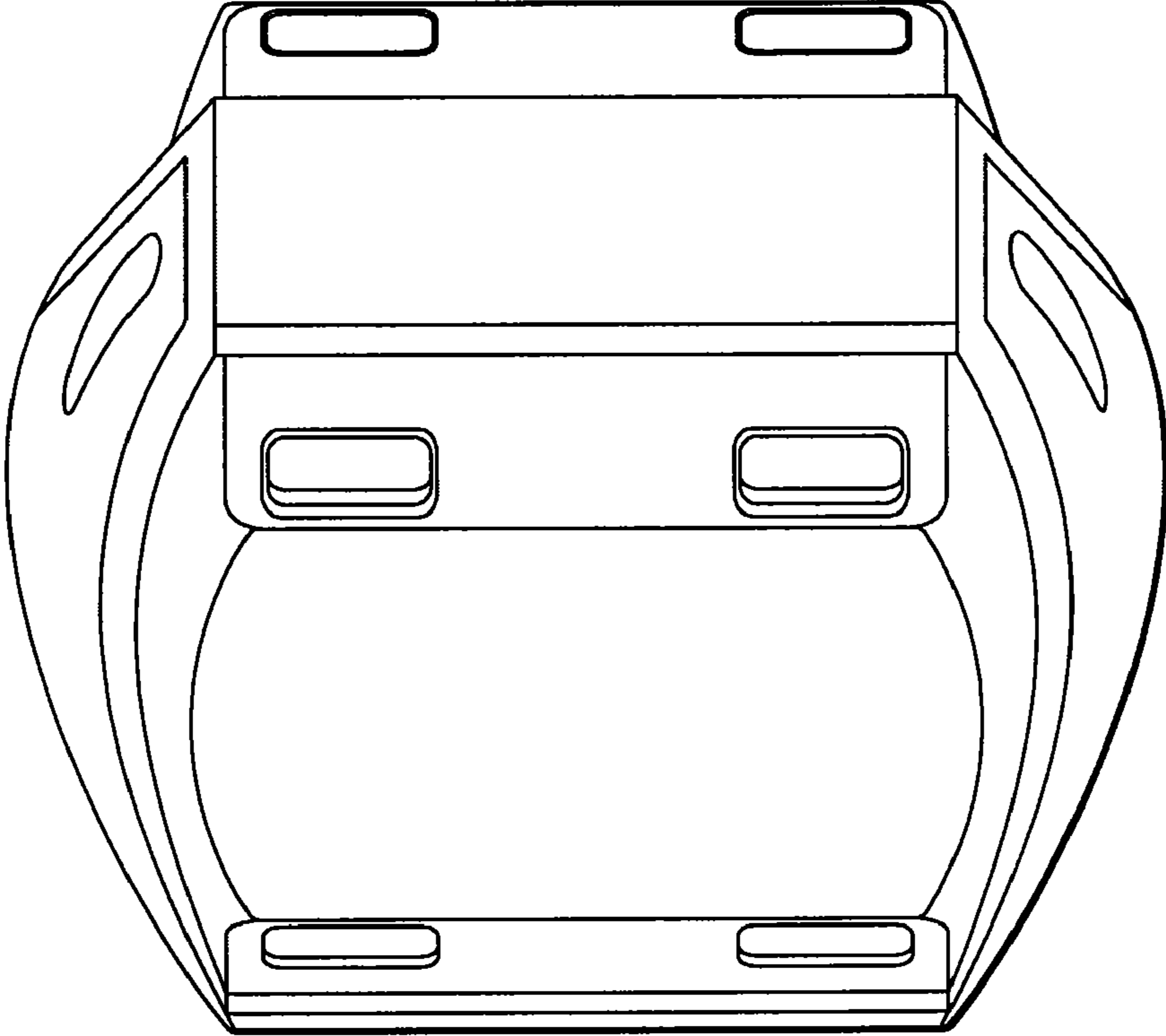


Fig. 4

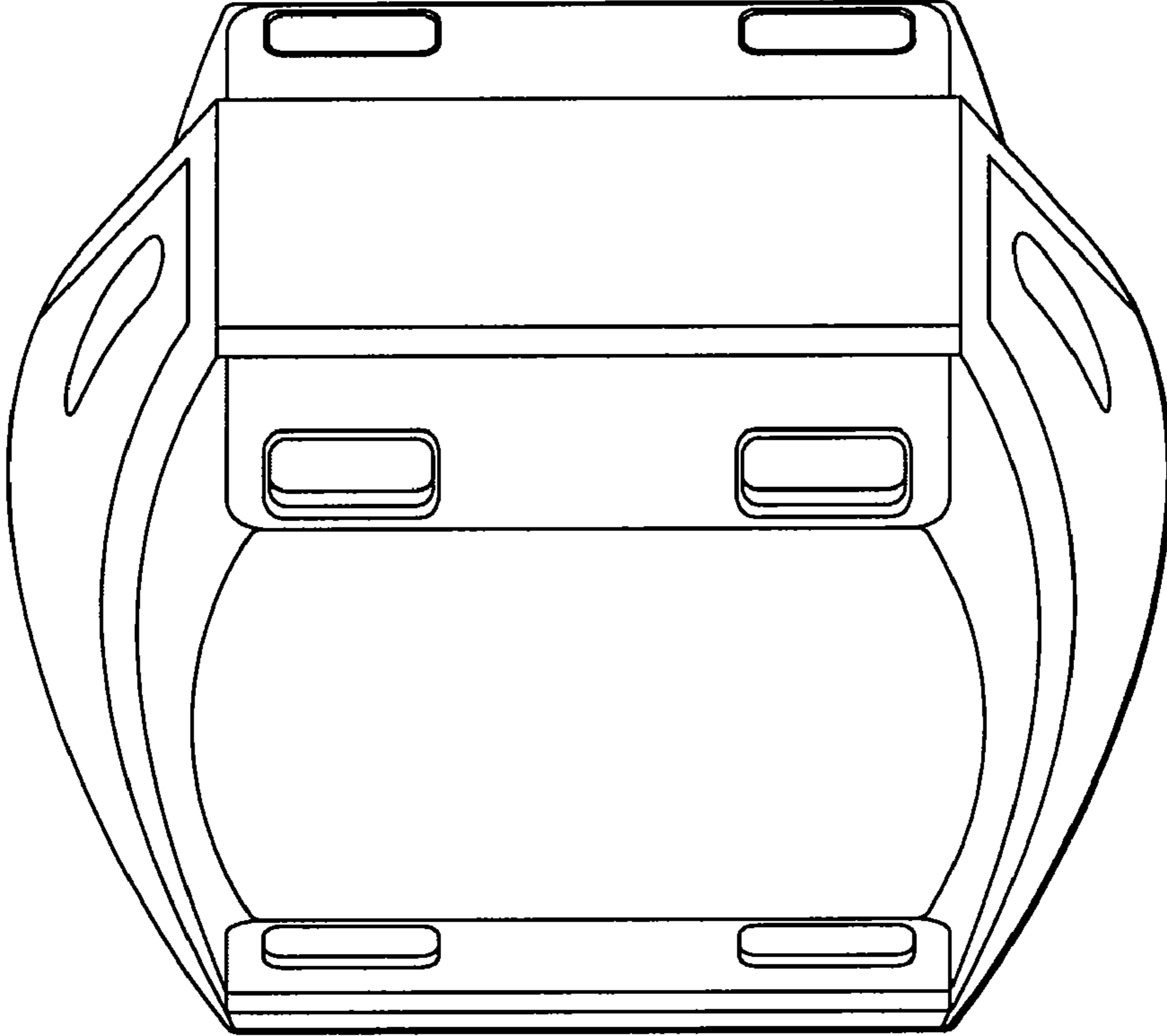


Fig. 5

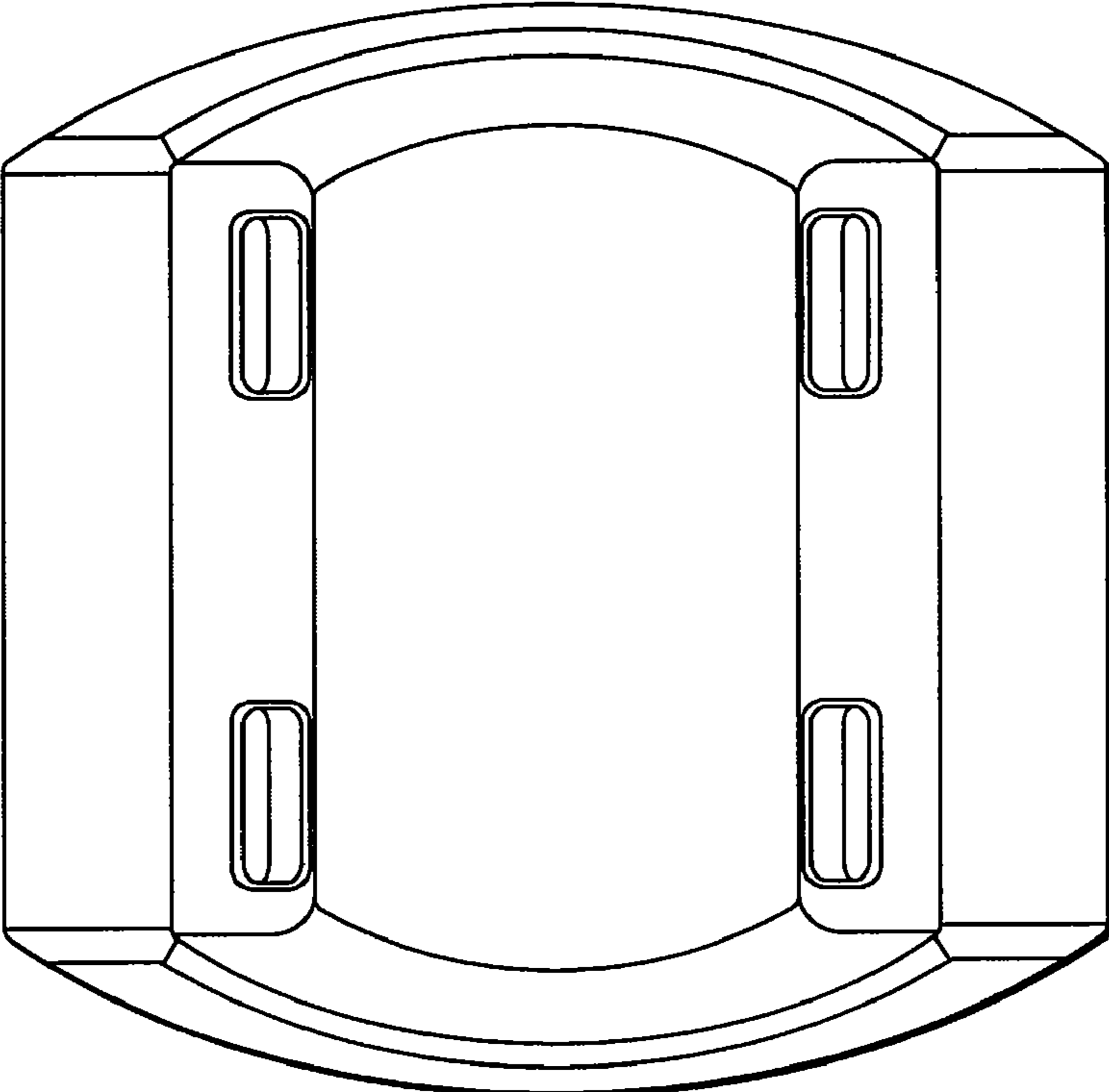


Fig. 6

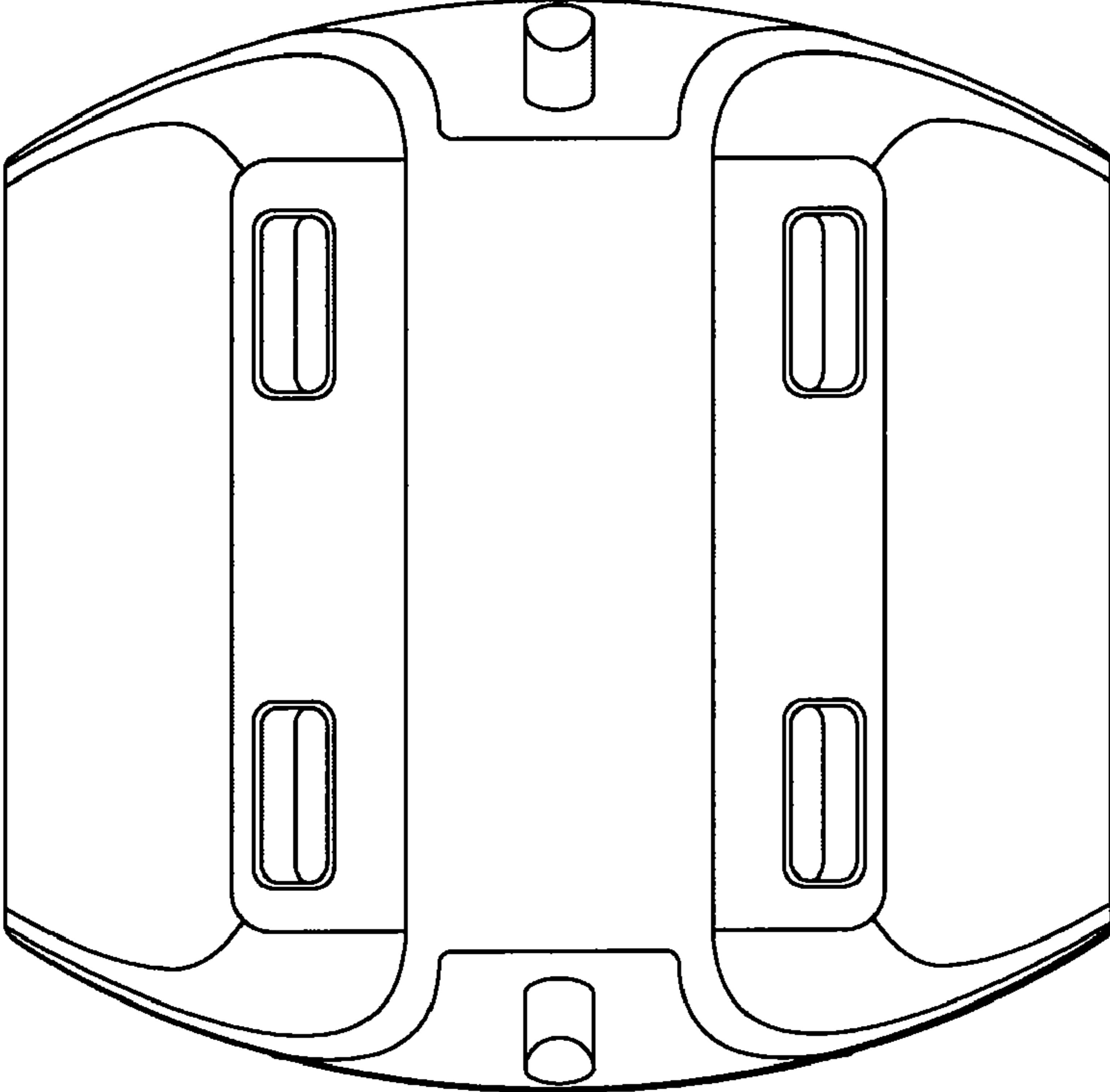


Fig. 7