



US00D624266S

(12) **United States Design Patent**  
**Massip et al.**

(10) **Patent No.:** **US D624,266 S**

(45) **Date of Patent:** **\*\* Sep. 21, 2010**

(54) **LAUNDRY IRON**

(75) Inventors: **Victor Massip**, Nantes (FR); **Laurent Lebot**, Nantes (FR)

(73) Assignee: **Rowenta Werke GmbH**, Offenbach am Main (DE)

(\*\*) Term: **14 Years**

(21) Appl. No.: **29/335,901**

(22) Filed: **Apr. 24, 2009**

(30) **Foreign Application Priority Data**

Nov. 5, 2008 (EM) ..... 001034458-0002

(51) **LOC (9) Cl.** ..... **07-05**

(52) **U.S. Cl.** ..... **D32/70**

(58) **Field of Classification Search** ..... D32/73,  
D32/72, 71, 70, 69, 68, 35; 392/404; 38/97,  
38/96, 93, 88, 77.9, 77.83, 77.82, 77.81,  
38/77.8, 77.7, 77.6, 77.5, 77.3, 77.1; 219/251,  
219/245

See application file for complete search history.

(56) **References Cited**

**U.S. PATENT DOCUMENTS**

D353,246 S *	12/1994	Kameda	.....	D32/70
D370,103 S *	5/1996	Gudefin	.....	D32/70
D374,956 S *	10/1996	Hsu	.....	D32/70
D401,706 S *	11/1998	Gudefin	.....	D32/70
D402,779 S *	12/1998	Gudefin	.....	D32/70
D441,929 S *	5/2001	Taylor	.....	D32/70
D443,743 S *	6/2001	Edwards et al.	.....	D32/70
D459,045 S *	6/2002	Figur et al.	.....	D32/70
D470,635 S *	2/2003	Choi	.....	D32/70
D472,354 S *	3/2003	Figur et al.	.....	D32/70
D481,503 S *	10/2003	Choi	.....	D32/70
D484,289 S *	12/2003	Berthier	.....	D32/70
D502,792 S *	3/2005	Garner et al.	.....	D32/70
D511,033 S *	10/2005	Berthier	.....	D32/70

D530,474 S *	10/2006	Barquin Santillan	.....	D32/70
D530,872 S *	10/2006	Barquin Santillan et al.	.....	D32/70
D531,372 S *	10/2006	Poon	.....	D32/70
D535,074 S *	1/2007	Bas et al.	.....	D32/70
D544,165 S	6/2007	Massip et al.	.....	
D546,518 S	7/2007	Massip et al.	.....	
D550,915 S *	9/2007	Poon	.....	D32/70
D550,916 S *	9/2007	Poon	.....	D32/70
D551,413 S *	9/2007	Poon	.....	D32/70
D555,315 S *	11/2007	Poon	.....	D32/70

(Continued)

**OTHER PUBLICATIONS**

Design Registration No. 000969860-0001, published Nov. 6, 2008, entitled "Electric Irons" in the name of Rowenta Werke GmbH, pp. 1-3.

(Continued)

*Primary Examiner*—Austin Murphy

(74) *Attorney, Agent, or Firm*—Oblon, Spivak, McClelland, Maier & Neustadt, L.L.P.

(57) **CLAIM**

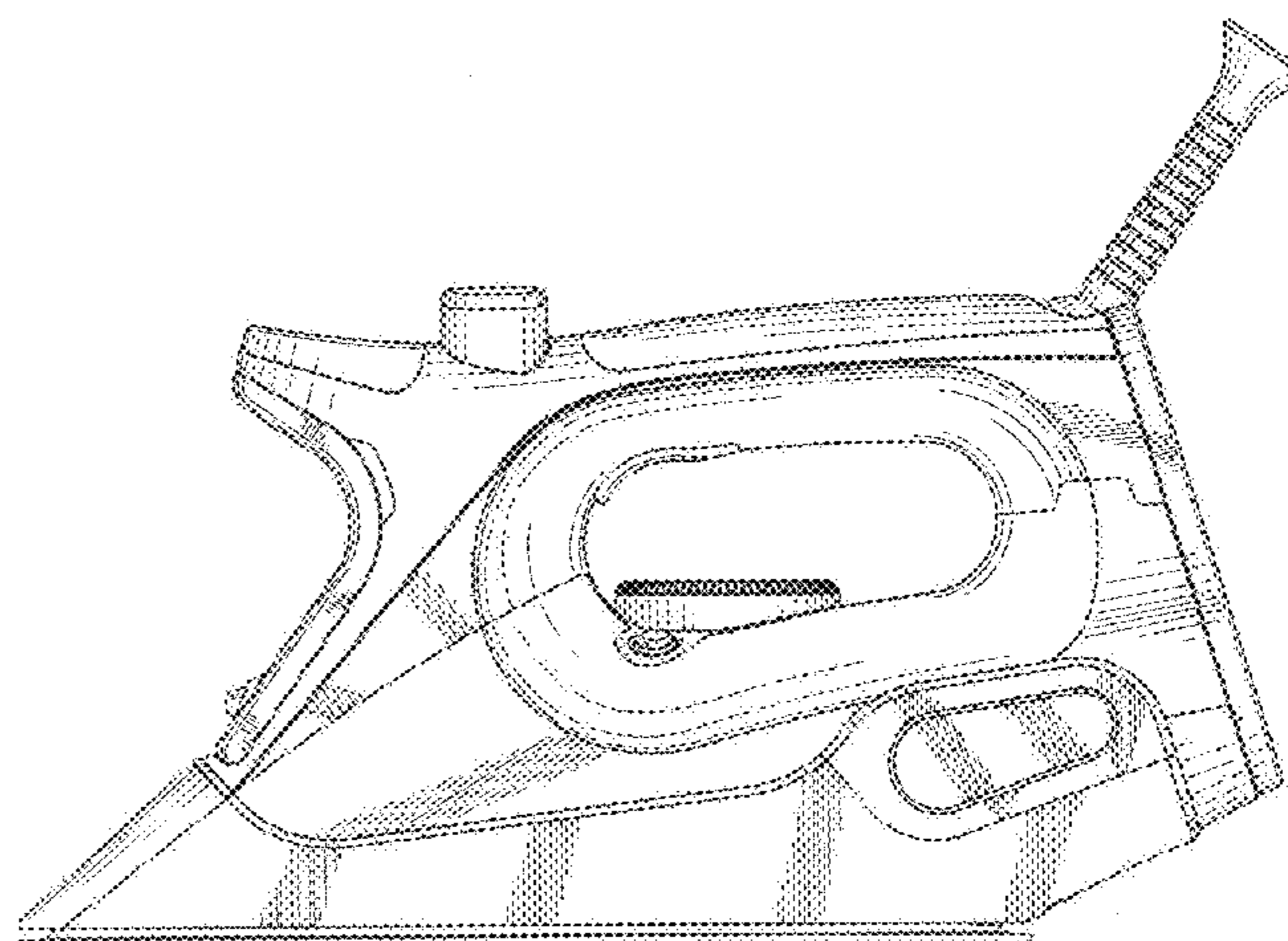
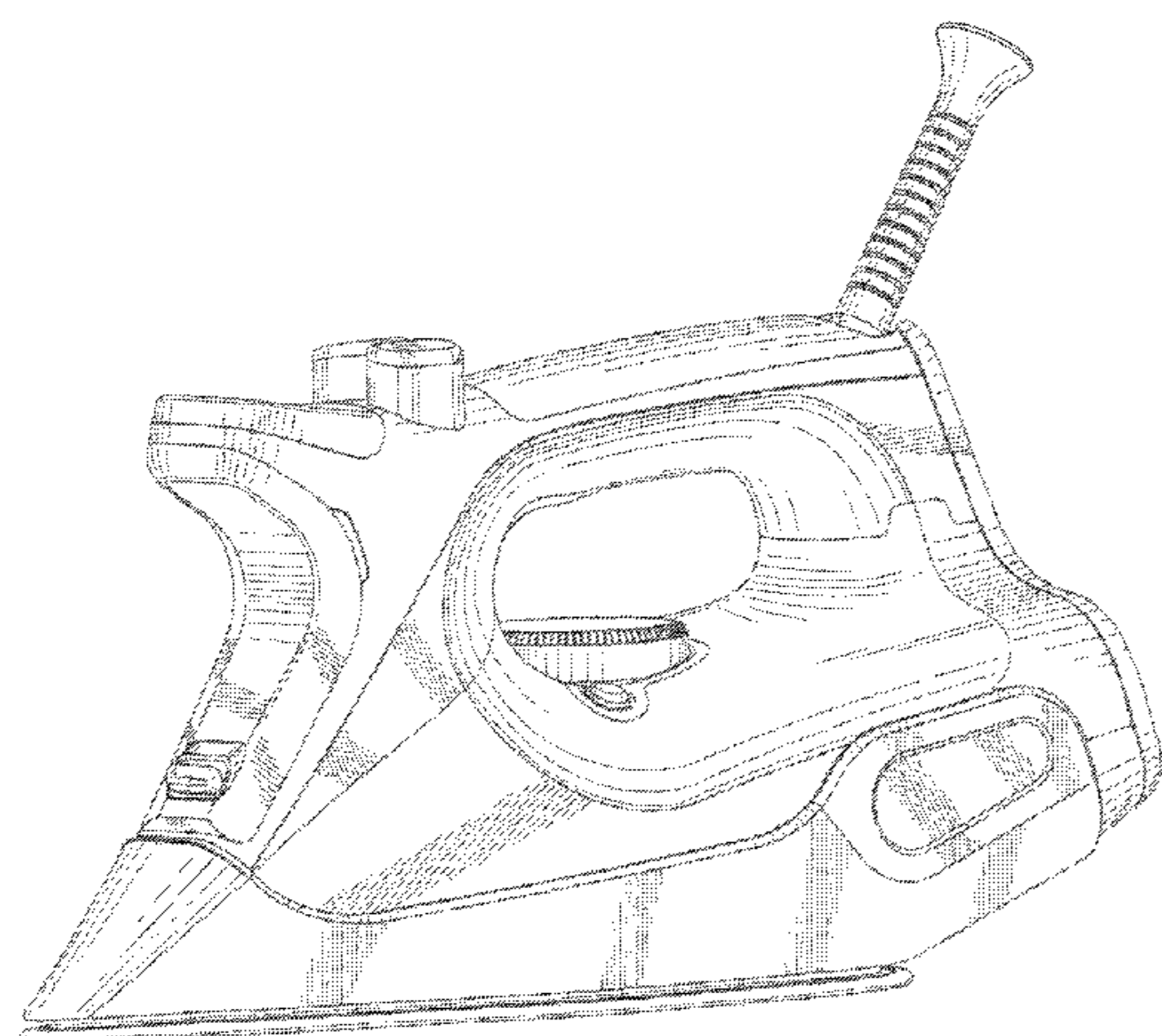
The ornamental design for a laundry iron, as shown and described.

**DESCRIPTION**

FIG. 1 is a front, left, top perspective view of a laundry iron; FIG. 2 is a right view thereof; FIG. 3 is a left view thereof; FIG. 4 is a front view thereof; FIG. 5 is a rear view thereof; FIG. 6 is a top view thereof; and, FIG. 7 is a bottom view thereof.

The broken lines shown in FIG. 5 represent unclaimed portions of the laundry iron and form no part of the claimed design.

**1 Claim, 7 Drawing Sheets**



# US D624,266 S

Page 2

---

## U.S. PATENT DOCUMENTS

D558,946 S 1/2008 Massip et al.  
D610,764 S \* 2/2010 Massip et al. .... D32/70  
D610,765 S \* 2/2010 Massip et al. .... D32/70

## OTHER PUBLICATIONS

Design Registration No. 001050454-0001, published Dec. 16, 2008,  
entitled "Steam Irons" in the name of Calor, pp. 1-2.

Design Registration No. 001050462-0001, published Dec. 17, 2008,  
entitled "Steam Irons" in the name of Calor, pp. 1-2.

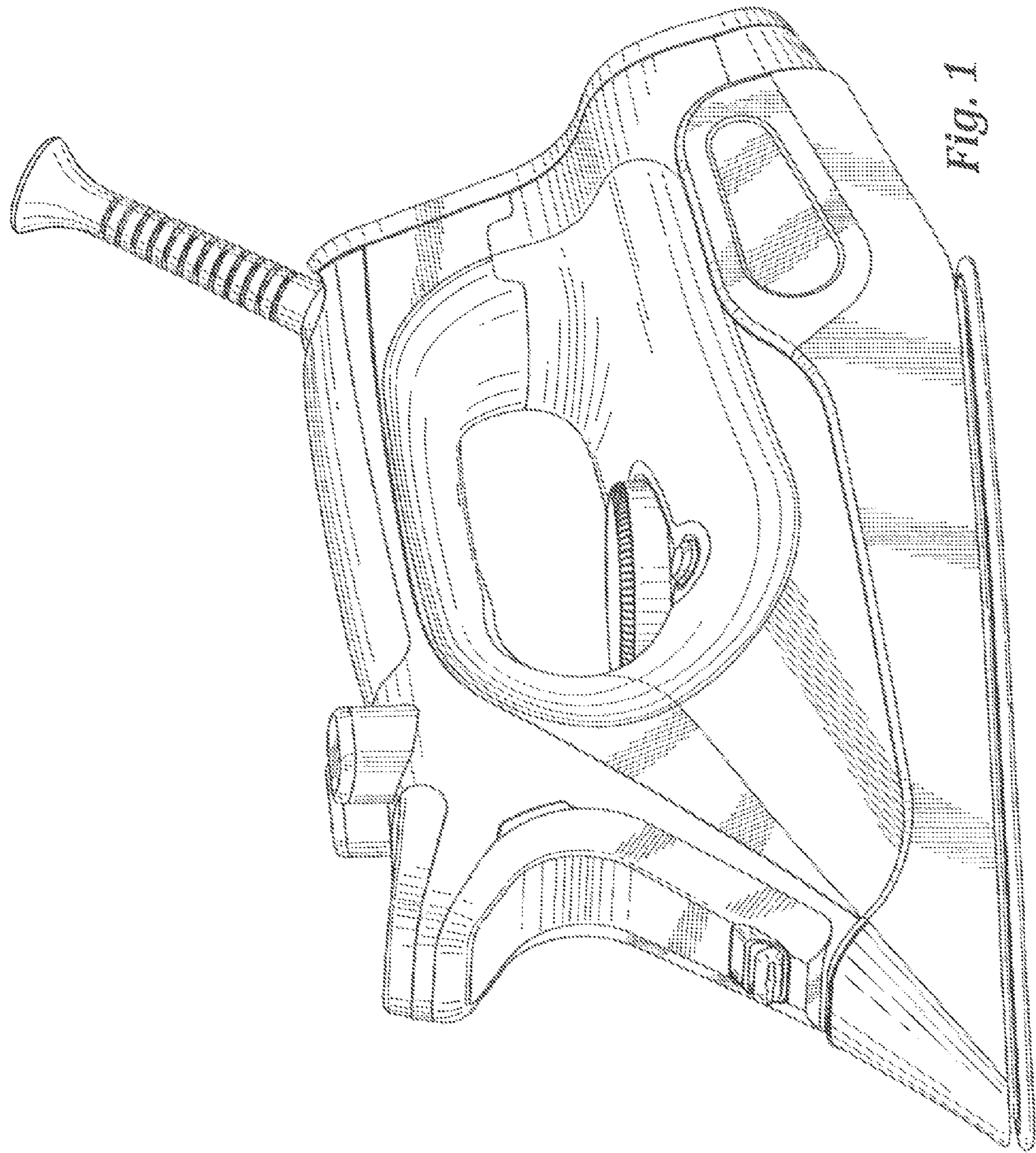
Design Registration No. 000216767-0001, published Nov. 30, 2004,  
entitled "Electric Steam Irons" in the name of Koninklijke Philips  
Electronics N.V., pp. 1-2.

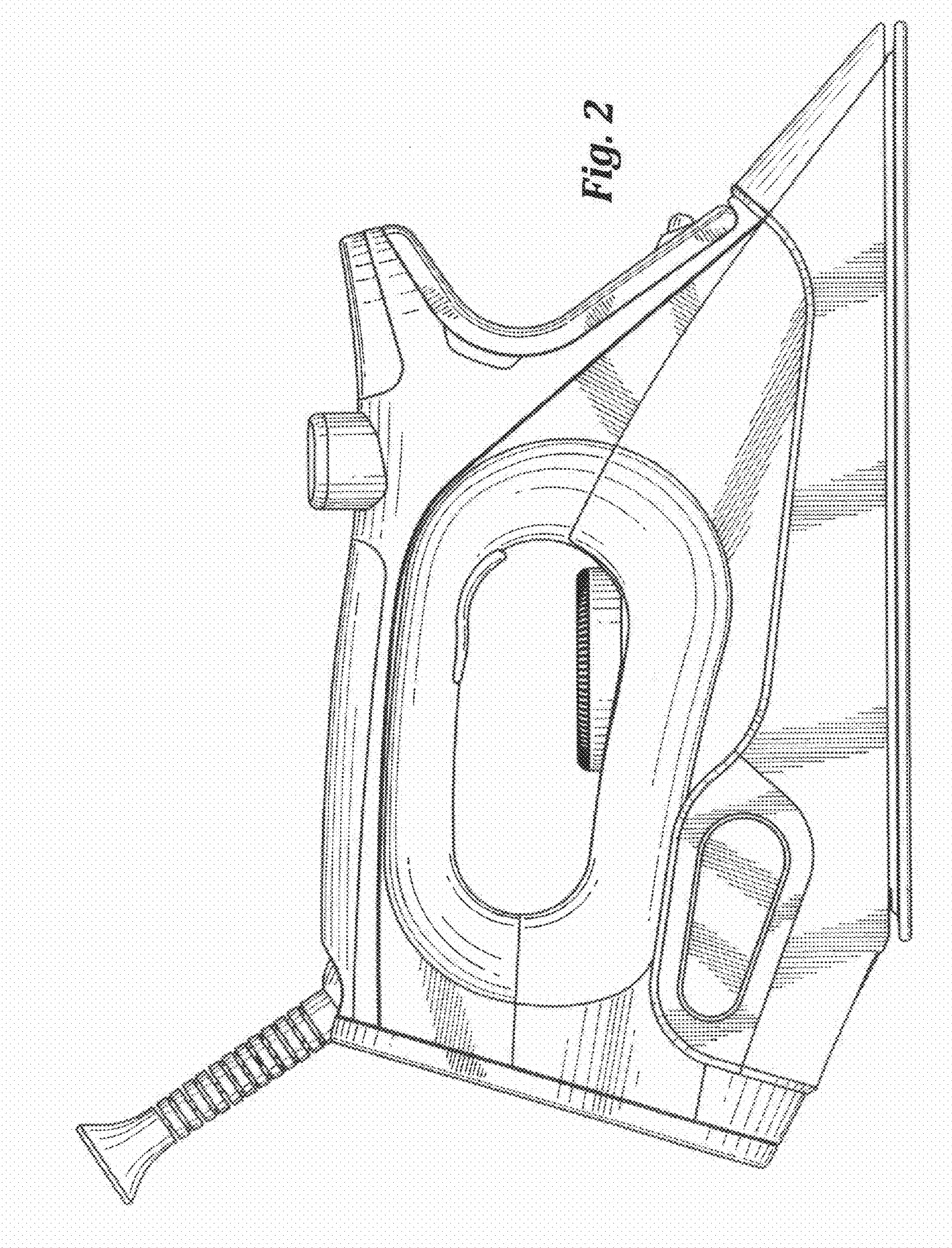
U.S. Appl. No. 29/320,907, filed Jul. 8, 2008, Massip, et al.

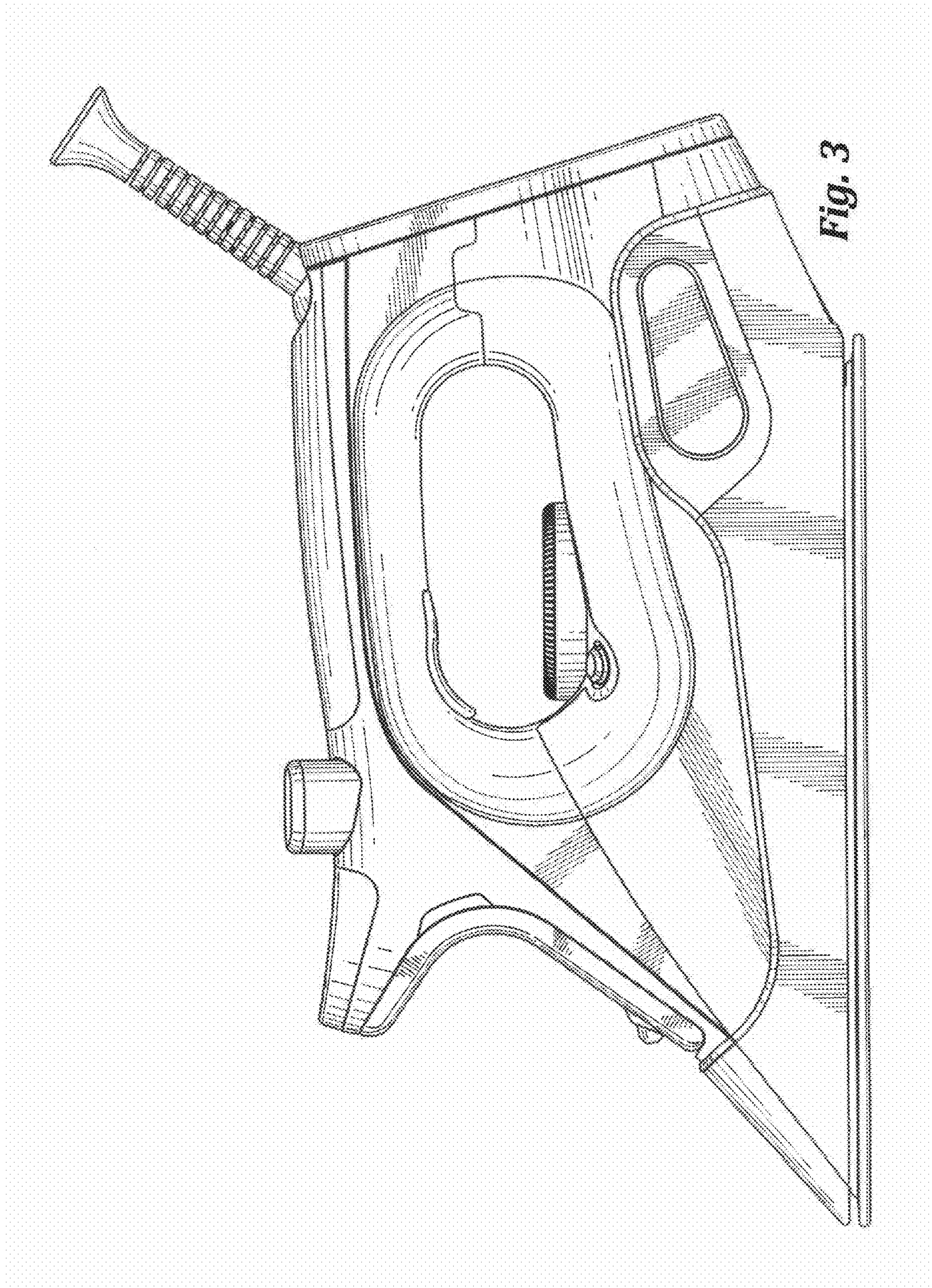
U.S. Appl. No. 29/329,470, filed Dec. 16, 2008, Massip, et al.

U.S. Appl. No. 29/335,801, filed Apr. 22, 2009, Massip, et al.

\* cited by examiner







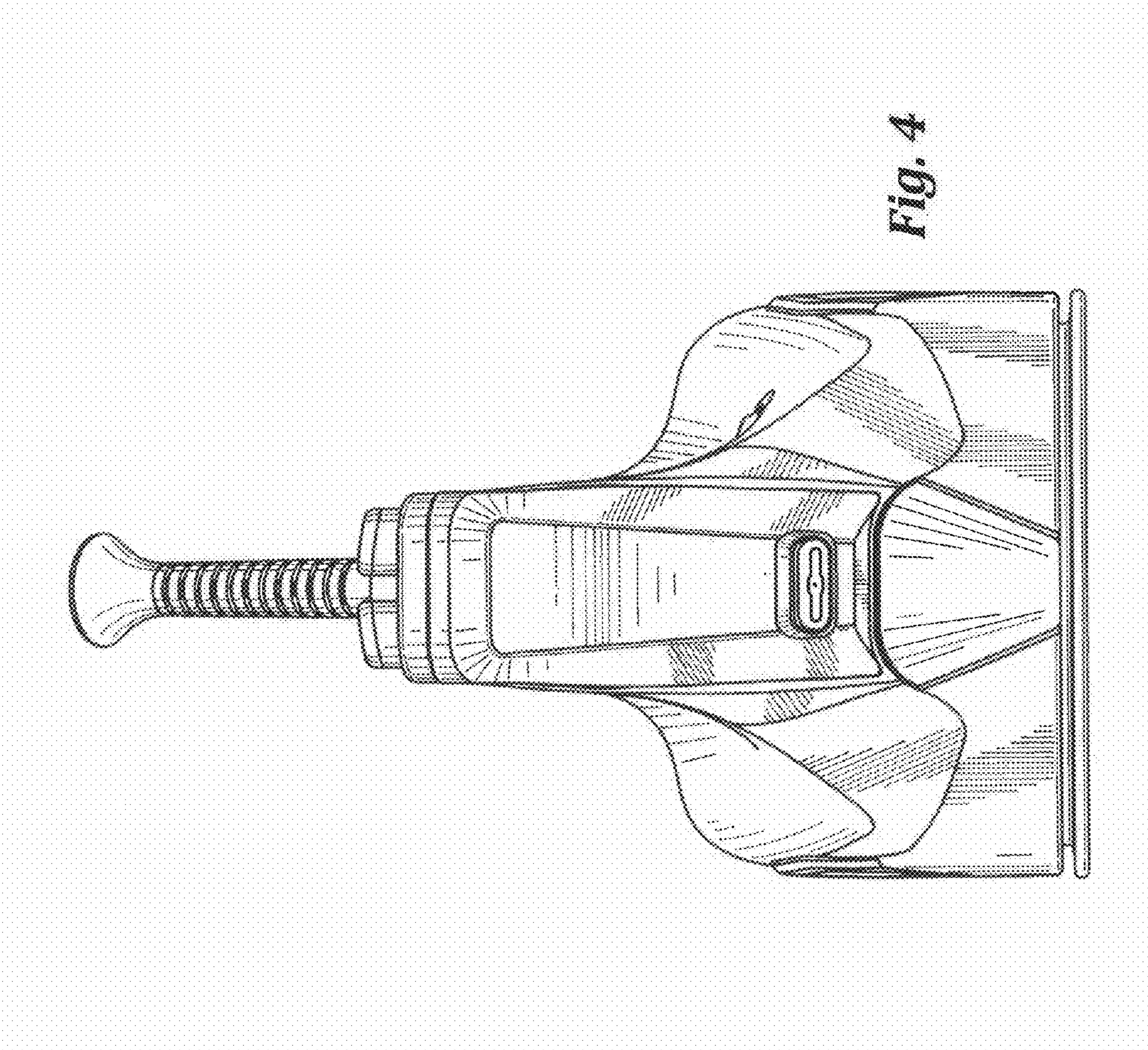
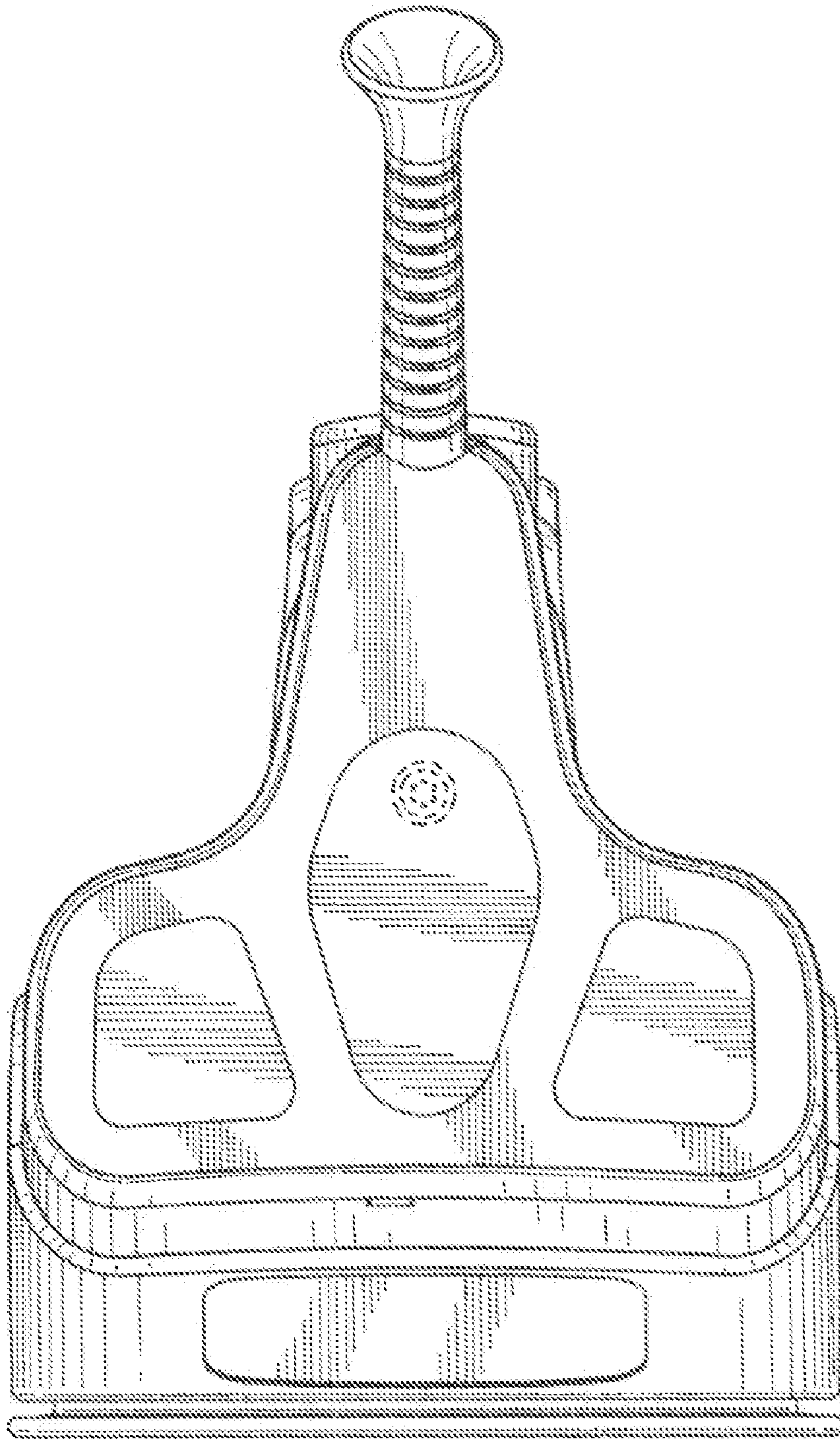


Fig. 4



*Fig. 5*

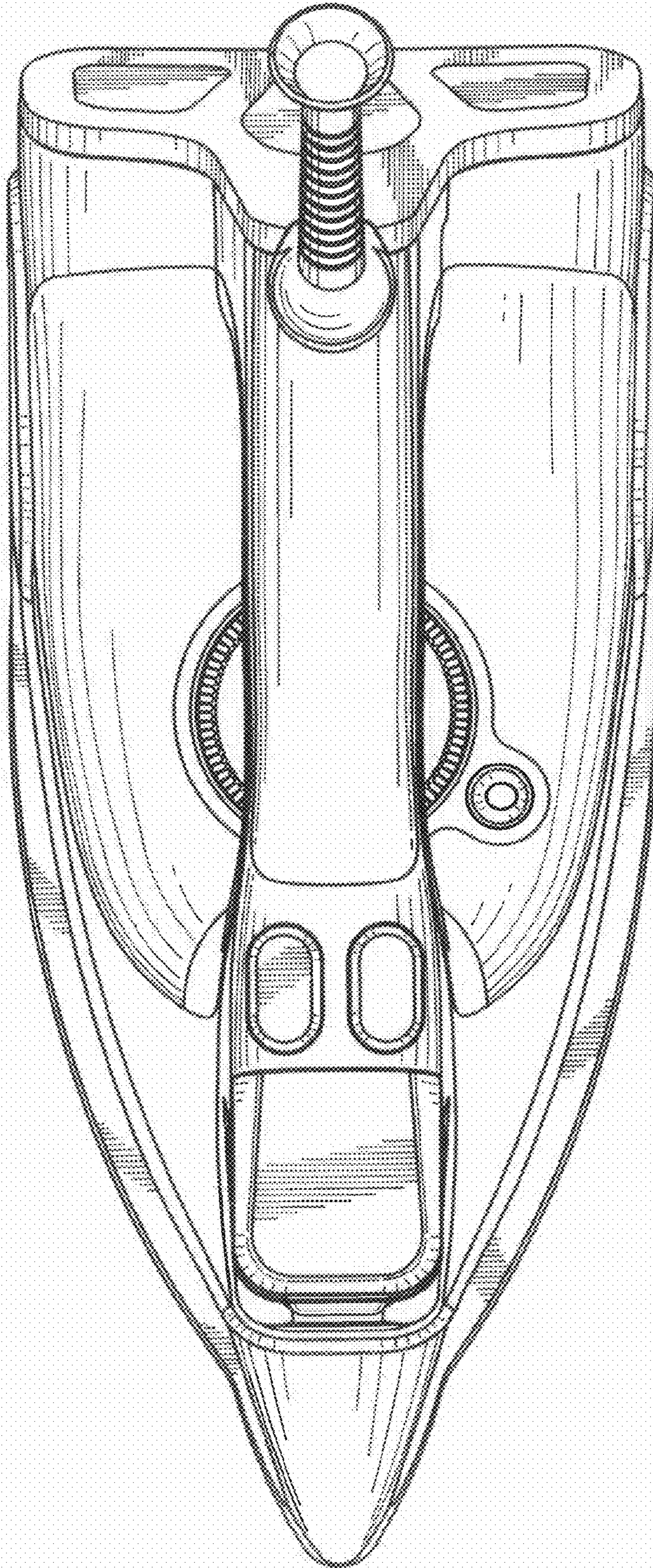


Fig. 6



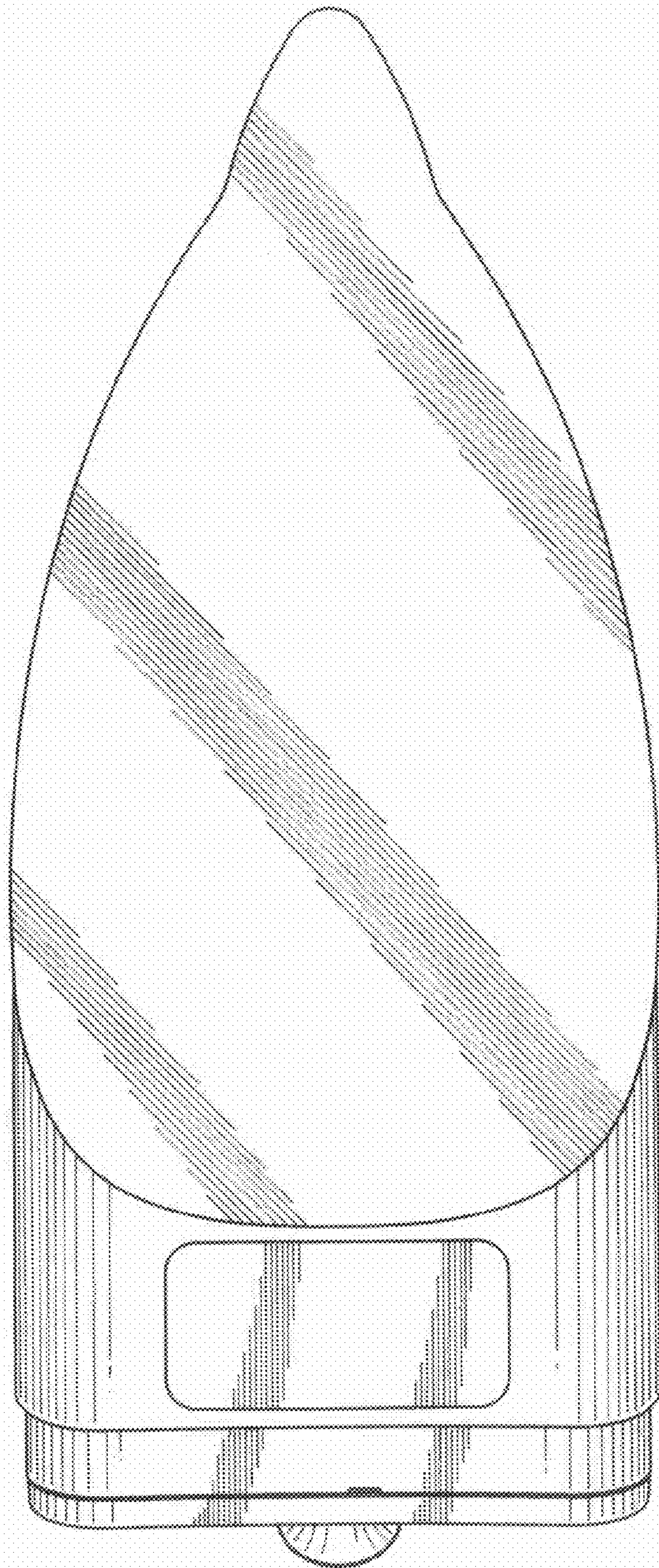


Fig. 7