



US00D624265S

(12) **United States Design Patent**
Edwards

(10) **Patent No.:** **US D624,265 S**
(45) **Date of Patent:** **** Sep. 21, 2010**

- (54) **IRON**
- (75) Inventor: **Gwendolyn M. Edwards**, Landrum, SC (US)
- (73) Assignee: **Prym Consumer USA Inc.**, Spartanburg, SC (US)
- (**) Term: **14 Years**
- (21) Appl. No.: **29/315,426**
- (22) Filed: **Jun. 23, 2009**

Related U.S. Application Data

- (63) Continuation of application No. 29/323,391, filed on Aug. 25, 2008, now Pat. No. Des. 595,021.

- (51) **LOC (9) Cl.** **07-05**
- (52) **U.S. Cl.** **D32/69; D32/68; D32/72**
- (58) **Field of Classification Search** D32/68, D32/69, 70, 71, 72, 73; 38/77.1, 77.2, 77.3, 38/77.4, 77.5, 69, 79, 77.7, 77.8, 88; 219/245, 219/254

See application file for complete search history.

(56) **References Cited**

U.S. PATENT DOCUMENTS

| | | | |
|--------------|---------|-----------------|--------|
| D99,751 S | 5/1936 | Morgan | |
| D122,271 S * | 9/1940 | Ketcham | D32/72 |
| D138,048 S * | 6/1944 | Fitzgerald | D32/69 |
| D159,665 S * | 8/1950 | Reinecke | D32/69 |
| D212,700 S | 11/1968 | Teleki | |
| D230,458 S | 2/1974 | Hall et al. | |
| 4,496,826 A | 1/1985 | Osrow | |
| D371,878 S * | 7/1996 | Muller | D32/69 |
| D389,628 S * | 1/1998 | Naft | D32/72 |
| D415,865 S | 10/1999 | Littmann et al. | |

| | | | |
|----------------|---------|--------------|---------|
| D465,309 S * | 11/2002 | Foersterling | D32/35 |
| D466,260 S | 11/2002 | Wu | |
| 7,155,117 B2 | 12/2006 | Leung et al. | |
| D541,500 S * | 4/2007 | Leung | D32/35 |
| 7,516,565 B1 * | 4/2009 | Tsen | 38/77.1 |

OTHER PUBLICATIONS

Conair Online Store, www.conair-store.com, Deluxe Hand Held Fabric Steamer, website, Oct. 27, 2008, 1, Conair Inc., Stamford, CT.
Brookstone, www.brookstone.com, 2-in-1 Travel Steamer Iron, website, Oct. 27, 2008, 1, Brookstone Company, Inc., Nashua, NH.

* cited by examiner

Primary Examiner—T. Chase Nelson

(74) Attorney, Agent, or Firm—J. Bennett Mullinax, LLC

(57) **CLAIM**

The ornamental design for an iron, as shown and described.

DESCRIPTION

FIG. 1 is a perspective view of an iron according to an embodiment of the present design.

FIG. 2 is a top plan view of an iron as seen in FIG. 1.

FIG. 3 is a bottom plan view of an iron as seen in FIG. 1.

FIG. 4 is a left side elevation view of an iron as seen in FIG. 1.

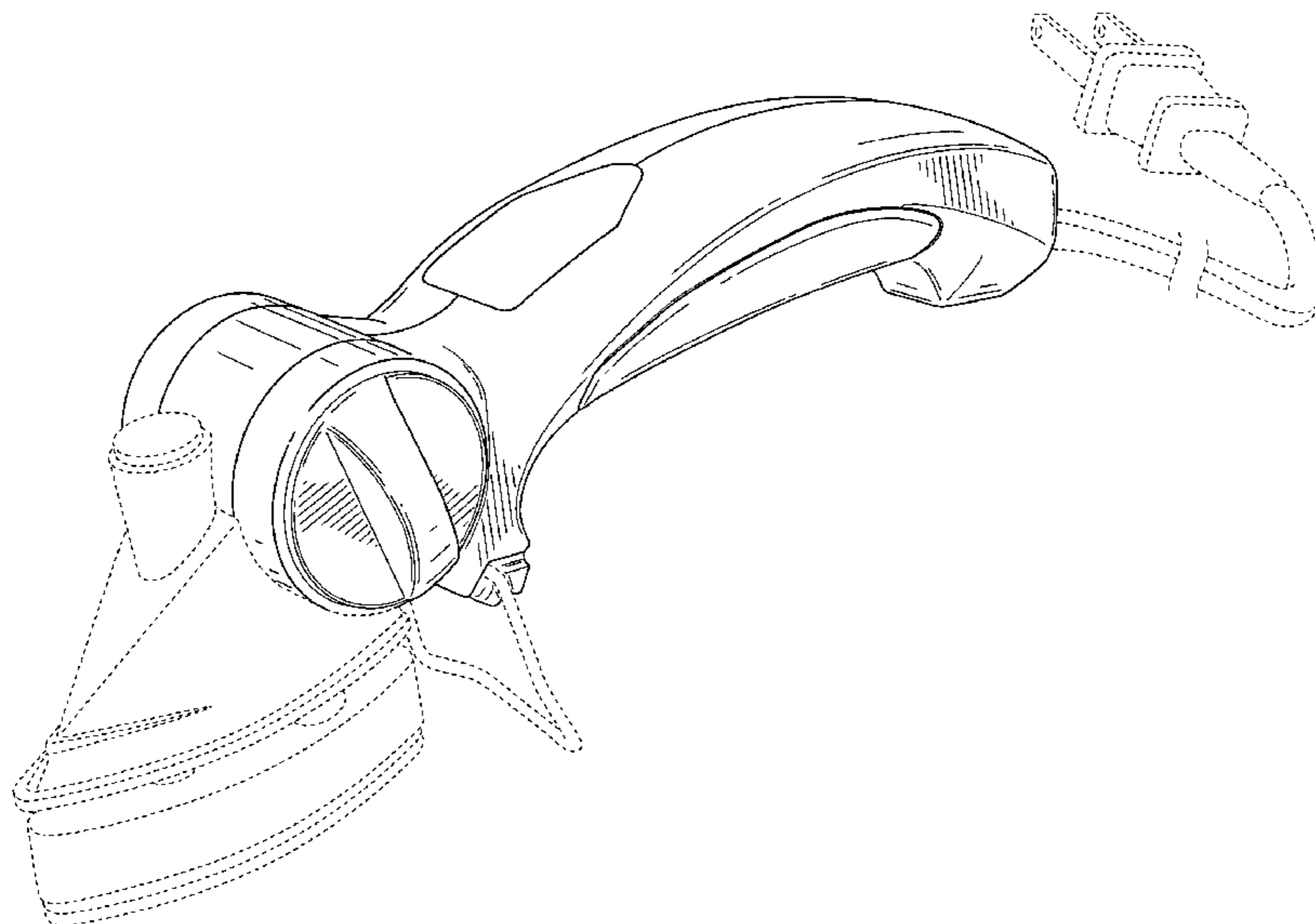
FIG. 5 is a right side elevation view of an iron as seen in FIG. 1.

FIG. 6 is a front elevation view of an iron as seen in FIG. 1; and,

FIG. 7 is a rear elevation view of an iron as seen in FIG. 1.

The features shown in broken lines in FIGS. 1 through 7 depict portions of the iron that form no part of the claimed design.

1 Claim, 6 Drawing Sheets



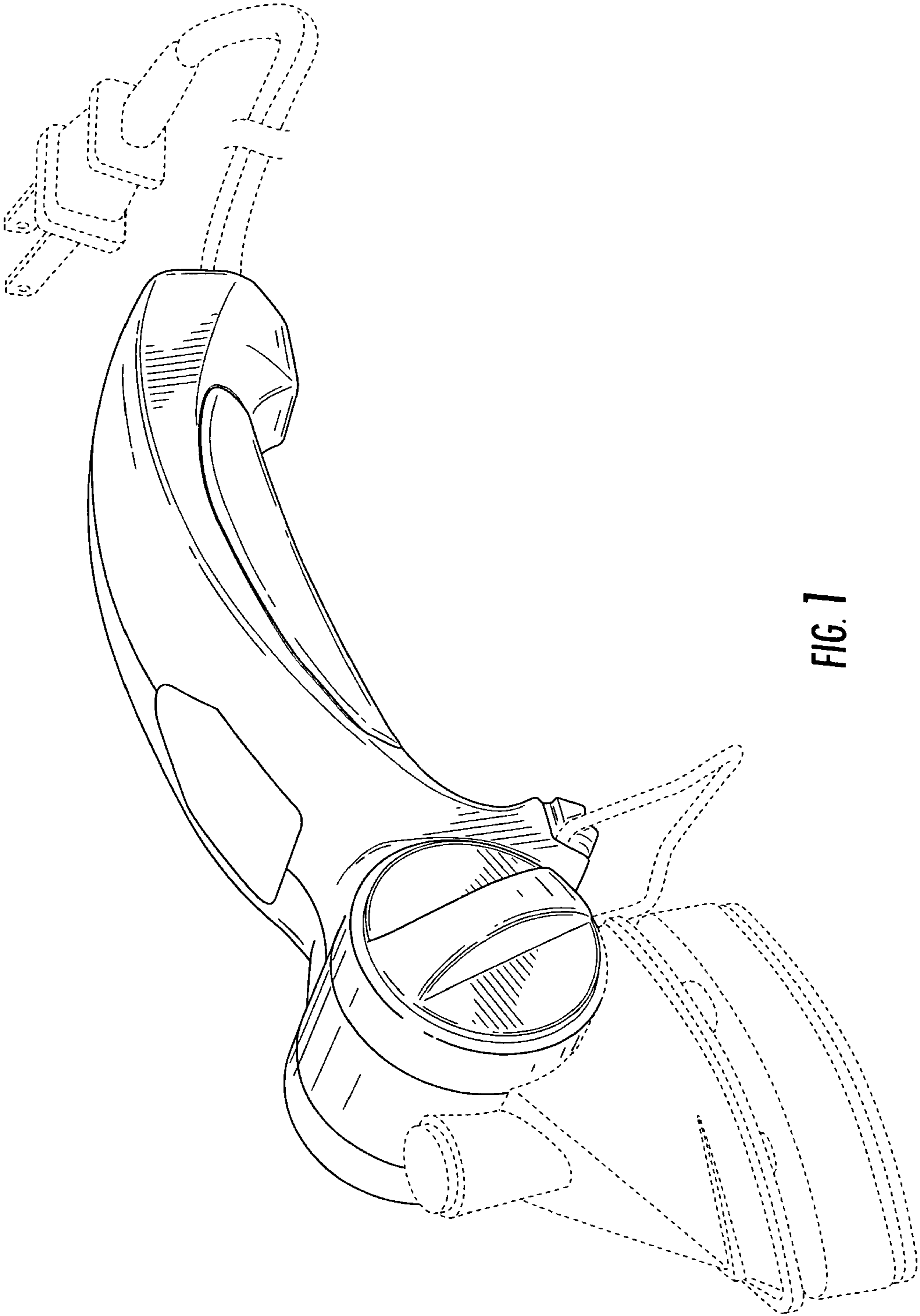


FIG. 1

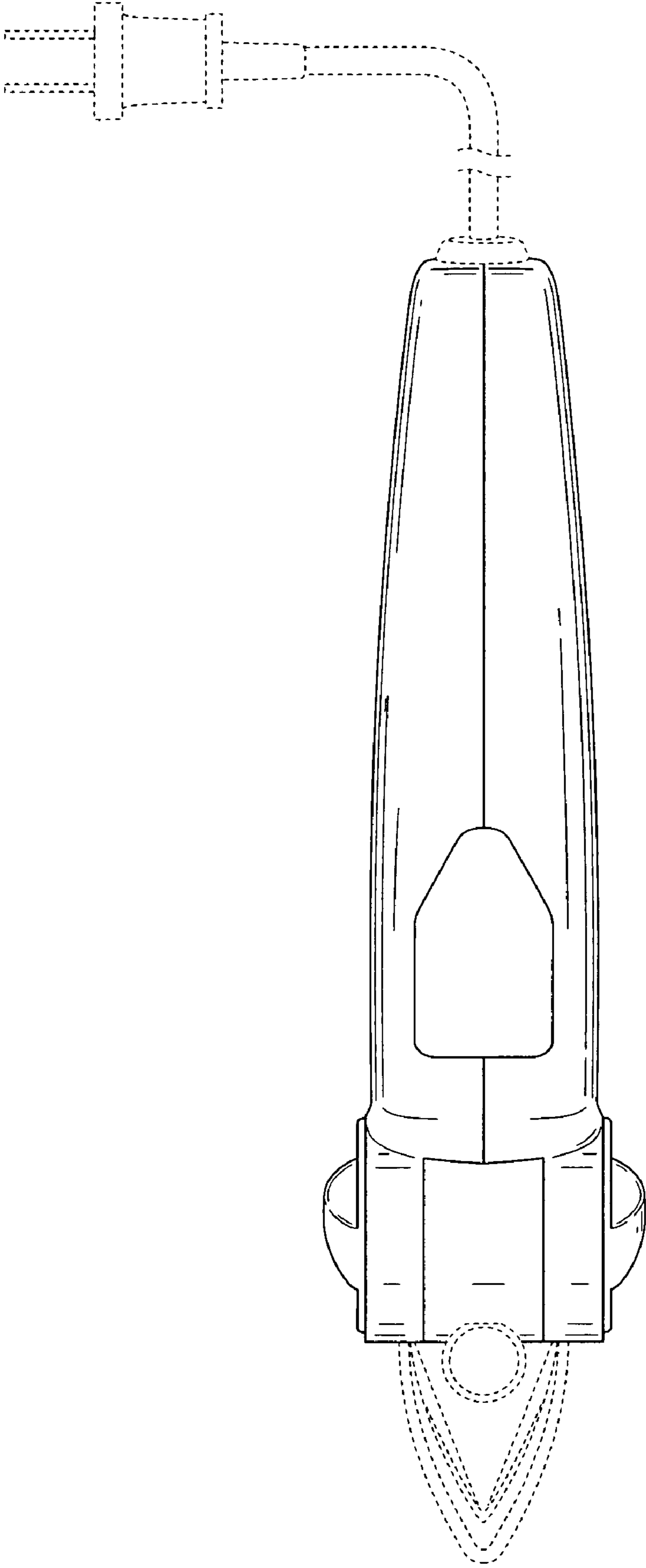


FIG. 2

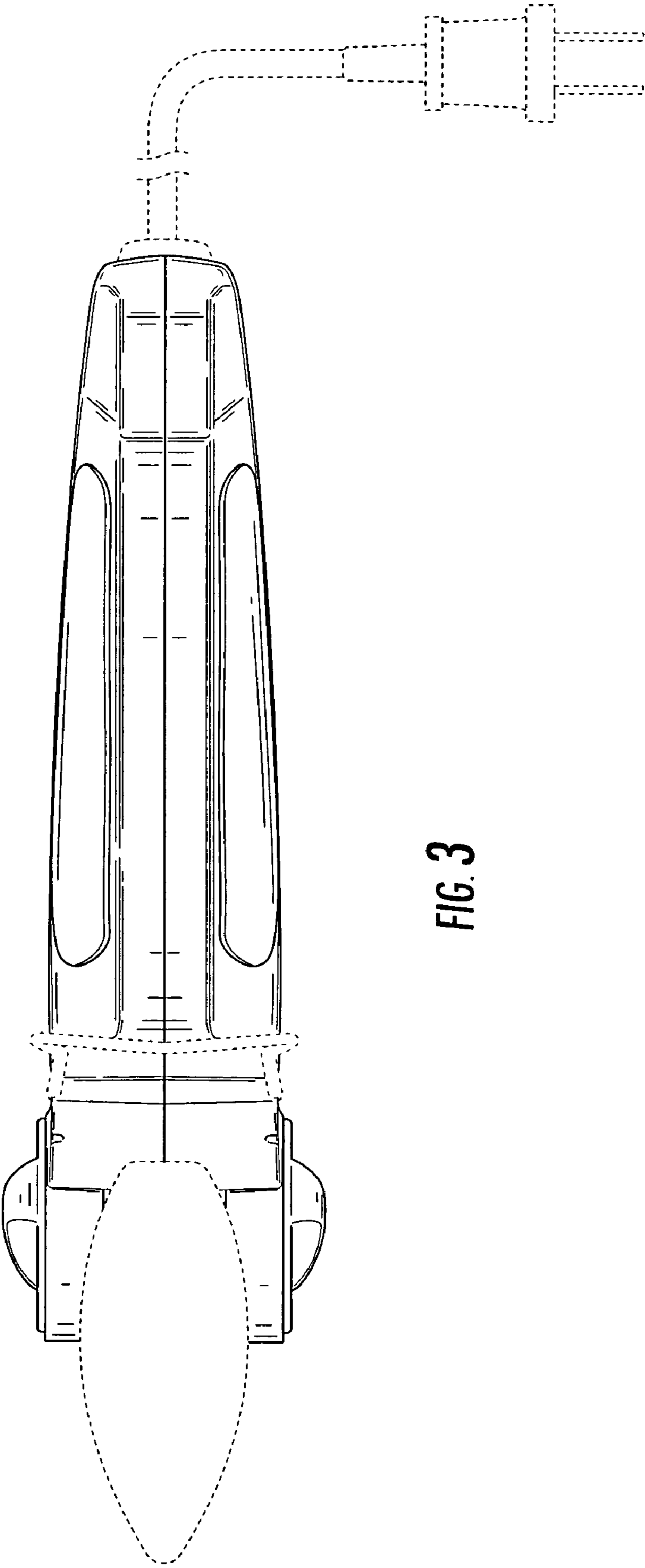


FIG. 3

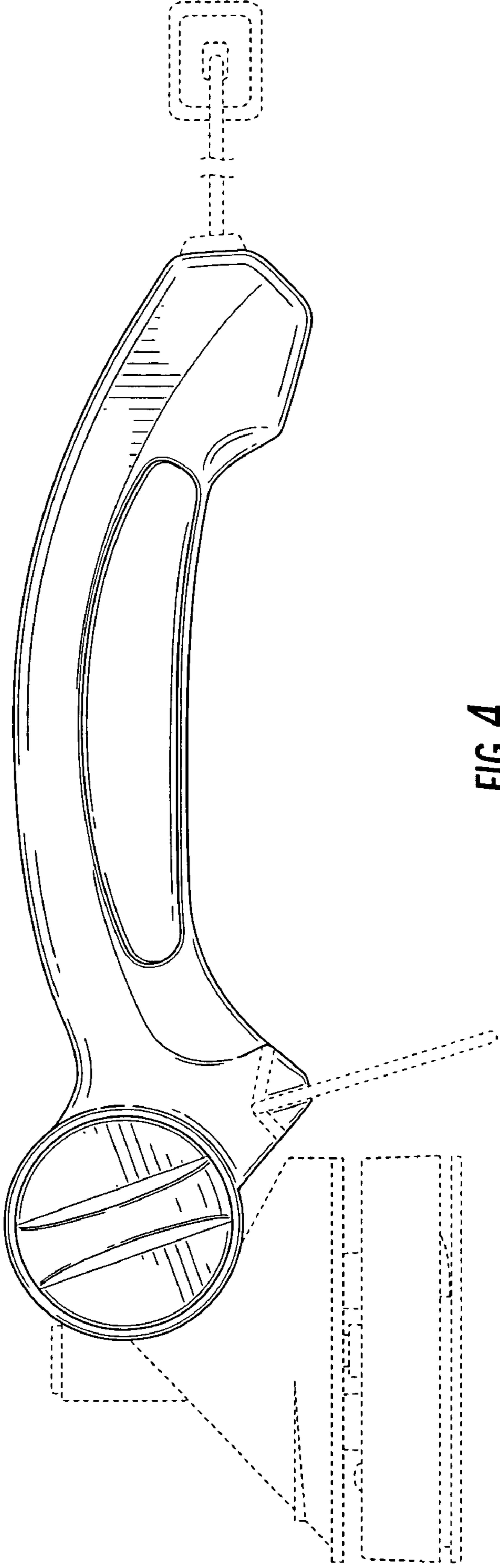


FIG. 4

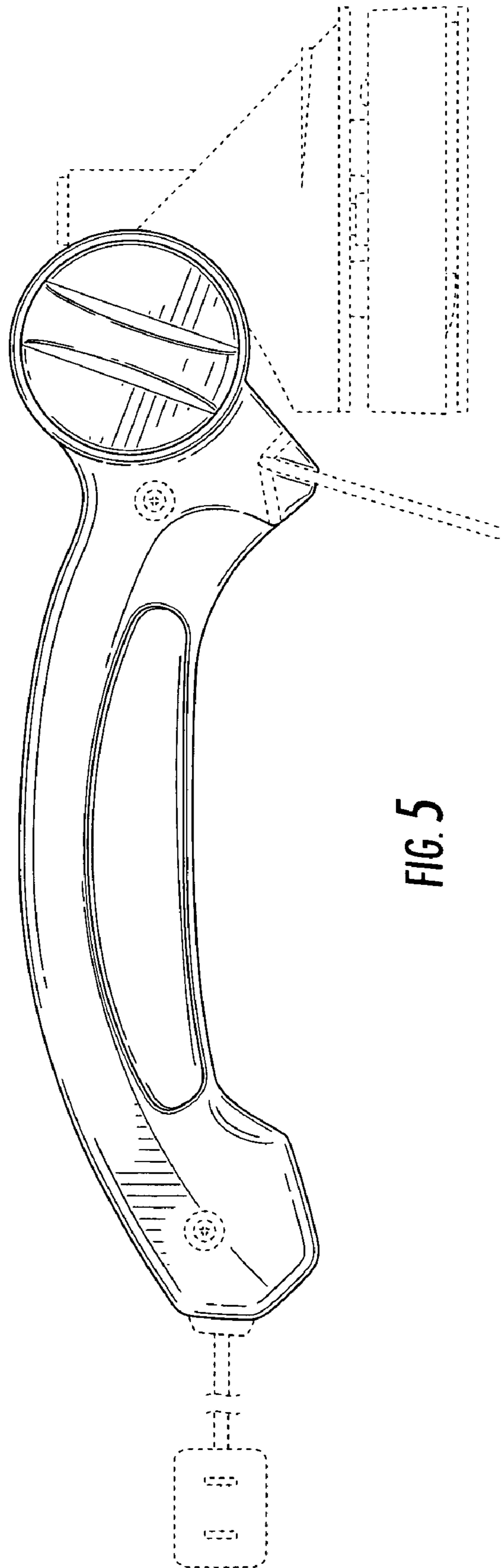


FIG. 5

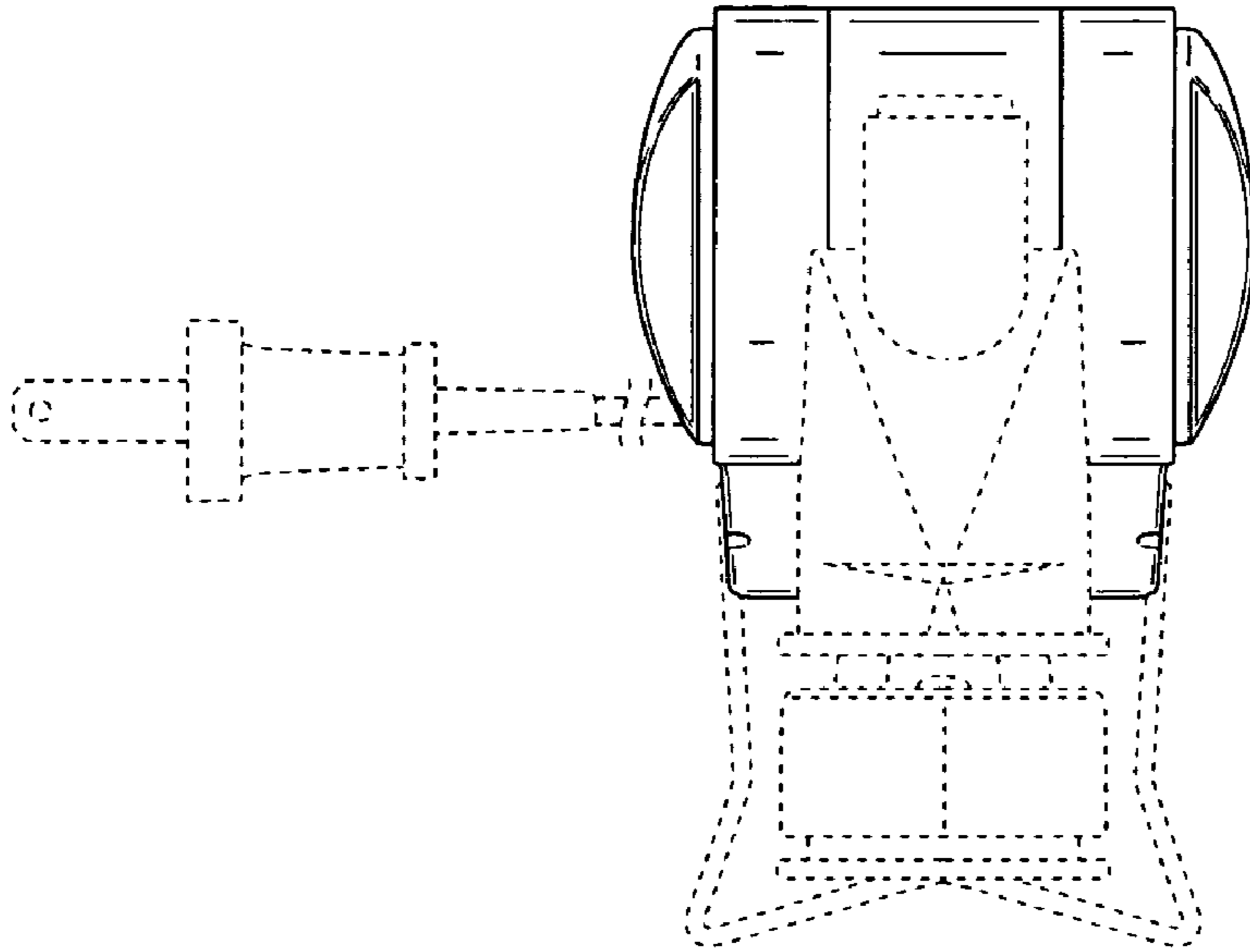


FIG. 6

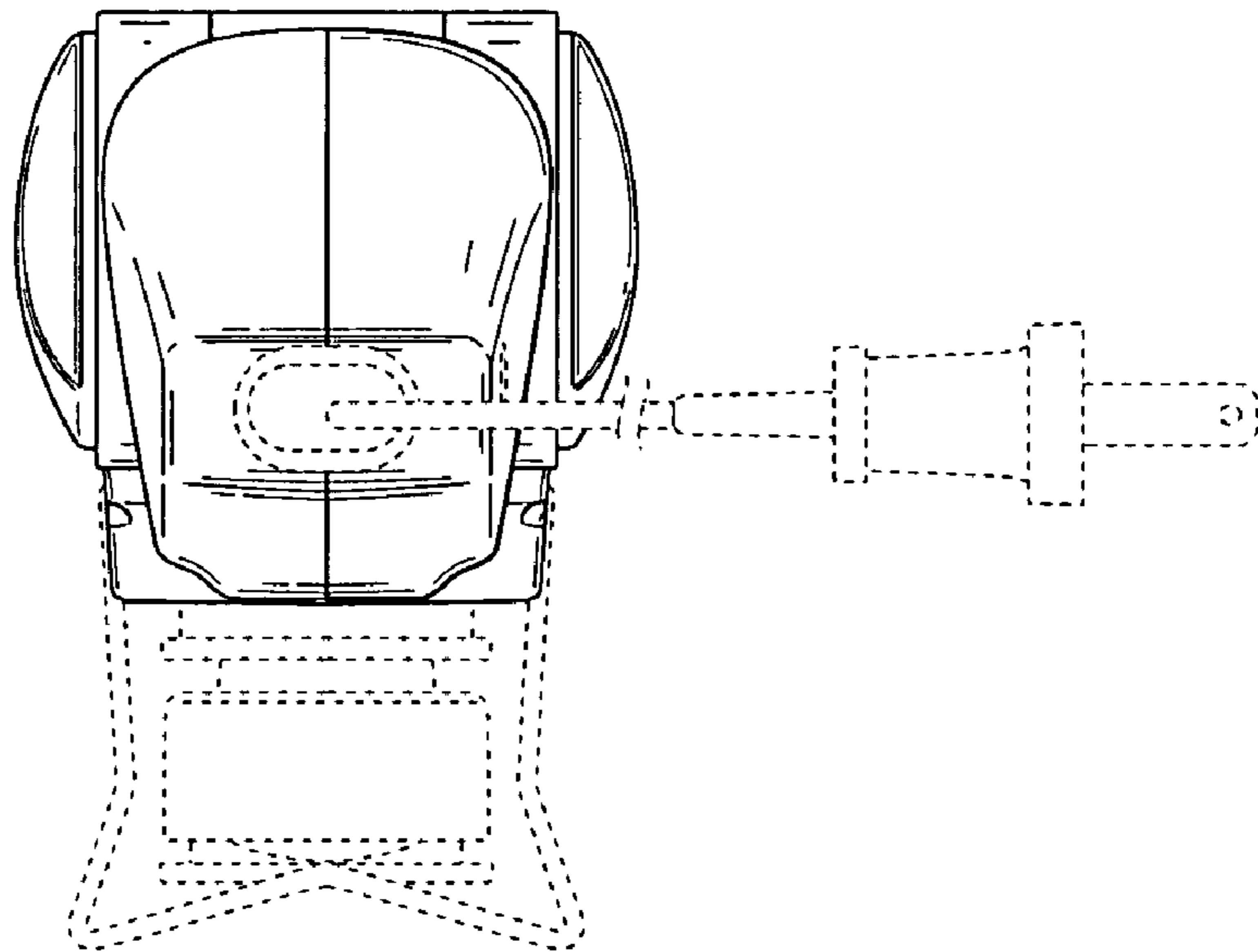


FIG. 7