



US00D624261S

(12) **United States Design Patent**  
**Pho**

(10) **Patent No.:** **US D624,261 S**

(45) **Date of Patent:** **\*\* Sep. 21, 2010**

(54) **REFILL RESERVOIR**

D493,109 S \* 7/2004 Miller ..... D9/528

(75) Inventor: **Ashley PZW Pho**, Leesburg, VA (US)

\* cited by examiner

(73) Assignee: **Rubbermaid Commercial Products LLC**, Winchester, VA (US)

*Primary Examiner*—Nanda Bondade

(74) *Attorney, Agent, or Firm*—Foley & Lardner LLP

(\*\*) Term: **14 Years**

(57) **CLAIM**

(21) Appl. No.: **29/318,321**

I claim the ornamental design for a refill reservoir, as shown and described.

(22) Filed: **May 16, 2008**

**DESCRIPTION**

(51) **LOC (9) Cl.** ..... **04-01**

(52) **U.S. Cl.** ..... **D32/45; D9/528**

(58) **Field of Classification Search** ..... D32/45;  
D9/520, 523, 528; D23/211, 211.1; 215/10,  
215/383, 398; 220/771; 222/143, 465.1  
See application file for complete search history.

FIG. 1 is a top front perspective view of a refill reservoir according to my new design;

FIG. 2 is a front view of the refill reservoir shown in FIG. 1;

FIG. 3 is a rear view of the refill reservoir shown in FIG. 1;

FIG. 4 is a right side view of the refill reservoir shown in FIG. 1;

FIG. 5 is a left side view of the refill reservoir shown in FIG. 1;

FIG. 6 is a top view of the refill reservoir shown in FIG. 1; and,

FIG. 7 is a bottom view of the refill reservoir shown in FIG. 1.

The ornamental design which is claimed is shown in solid lines in the drawings: The broken lines in the drawings are for illustrative purposes only and form no part of the claimed design.

(56) **References Cited**

**U.S. PATENT DOCUMENTS**

4,175,680	A *	11/1979	Sammut	.....	222/465.1
D297,212	S *	8/1988	Stavish	.....	D9/520
4,805,793	A *	2/1989	Brandt et al.	.....	215/10
4,834,269	A *	5/1989	Cone	.....	222/465.1
4,889,261	A *	12/1989	Conrad	.....	215/10
D315,497	S *	3/1991	Kamerichs et al.	.....	D23/211.1
5,114,028	A *	5/1992	Ring	.....	215/398
D415,033	S *	10/1999	Forecast et al.	.....	D9/528
6,029,858	A *	2/2000	Srokose et al.	.....	222/143

**1 Claim, 3 Drawing Sheets**

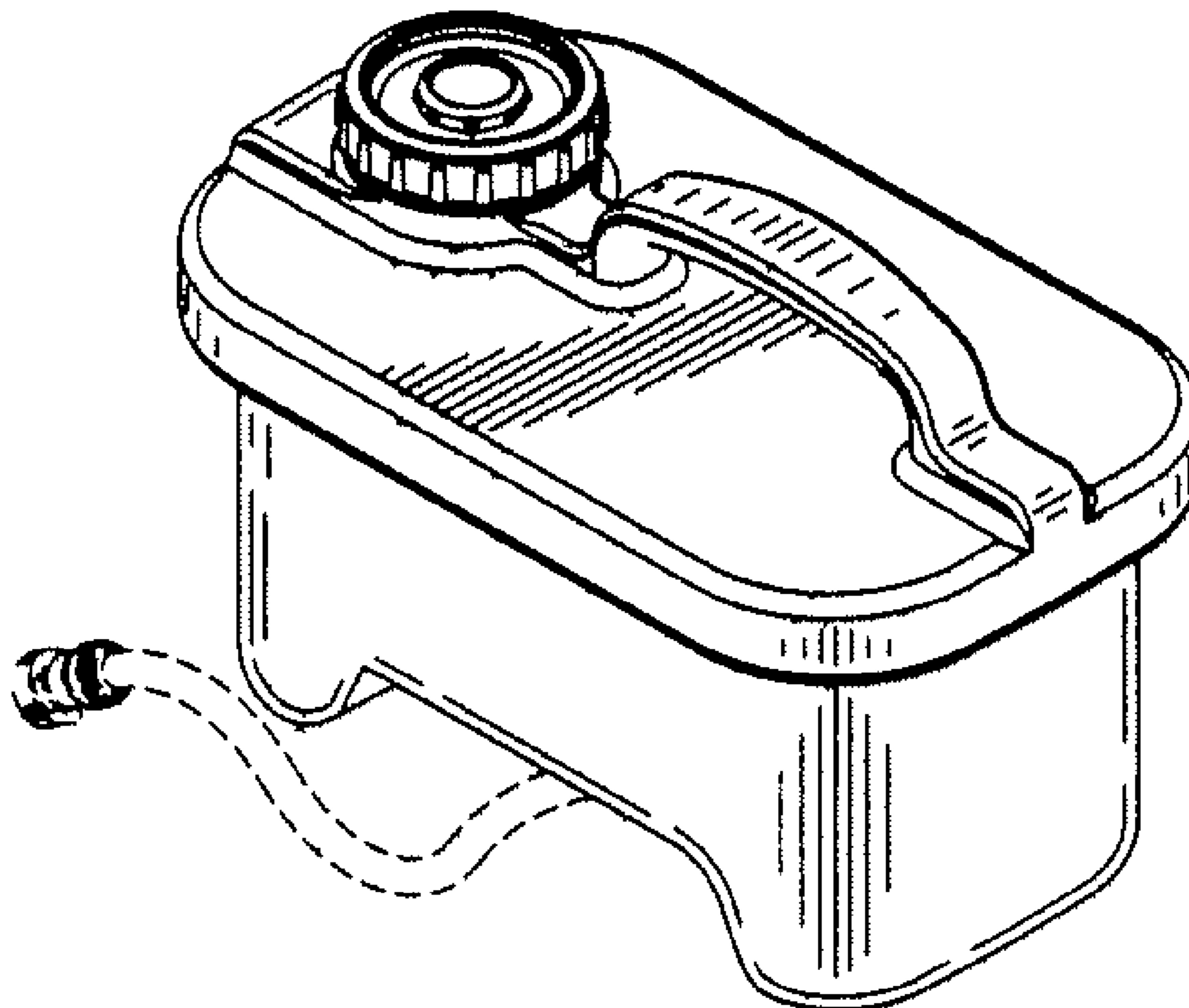


Fig. 1

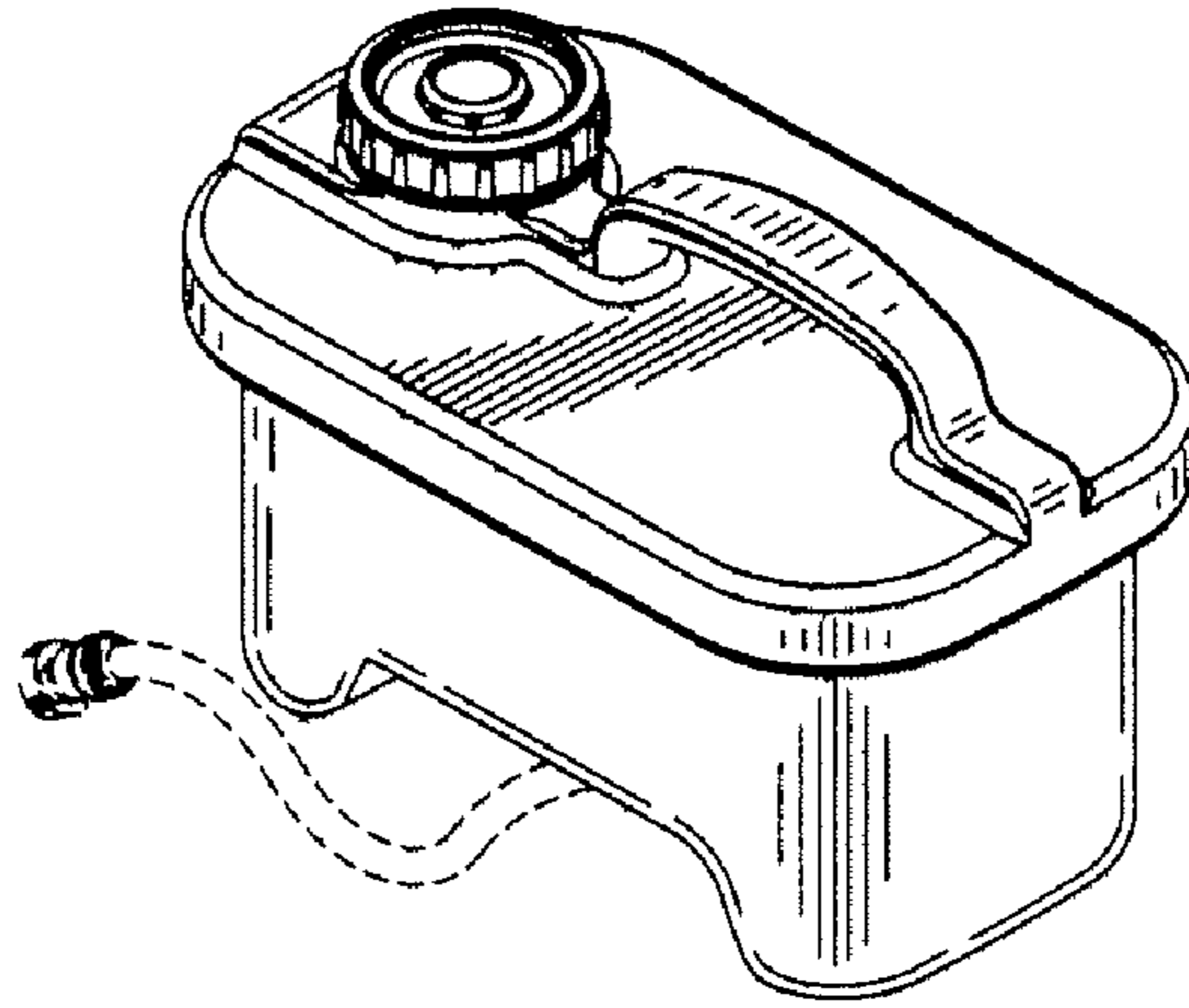


Fig. 2

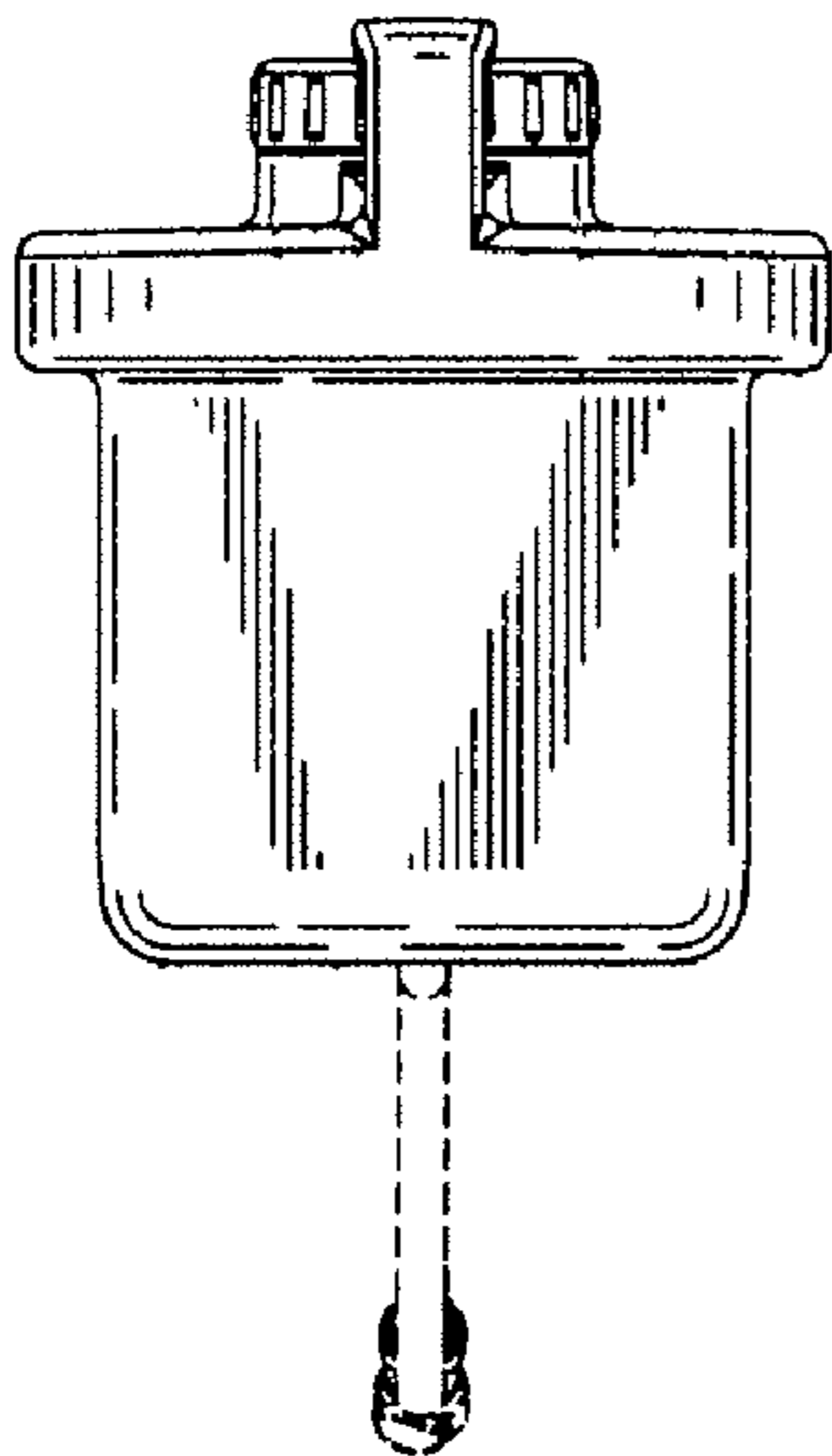


Fig. 3

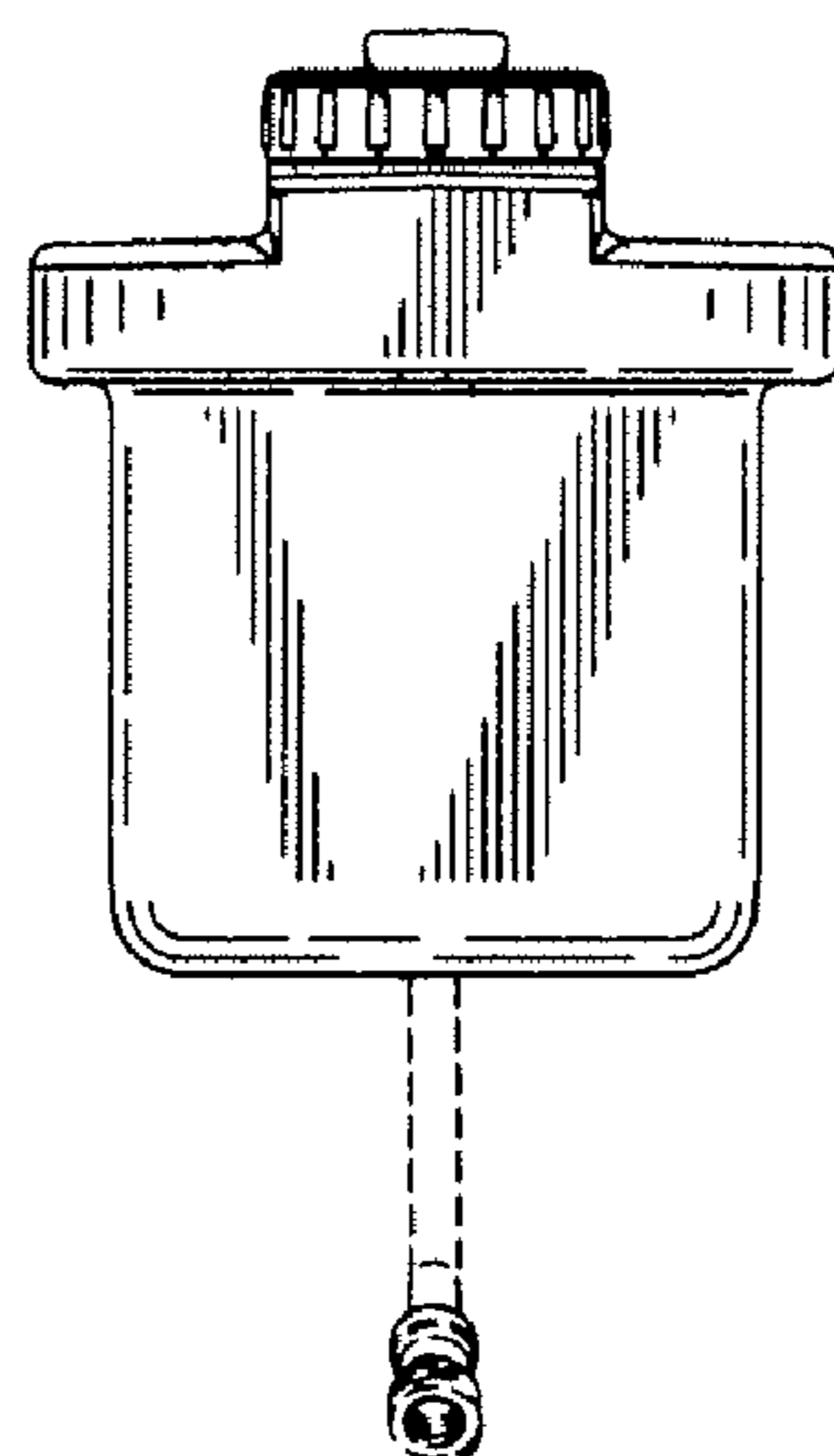


Fig. 4

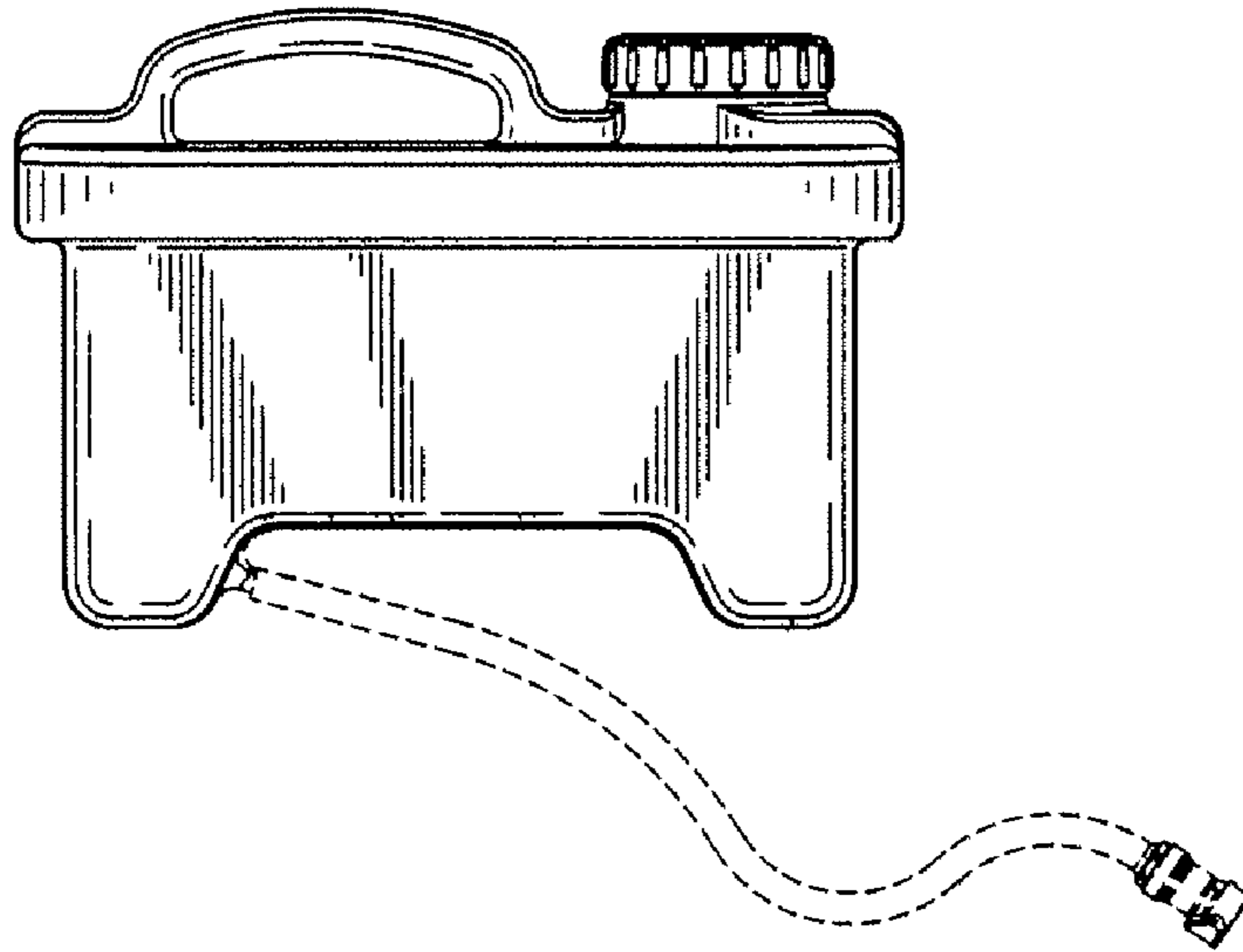


Fig. 5

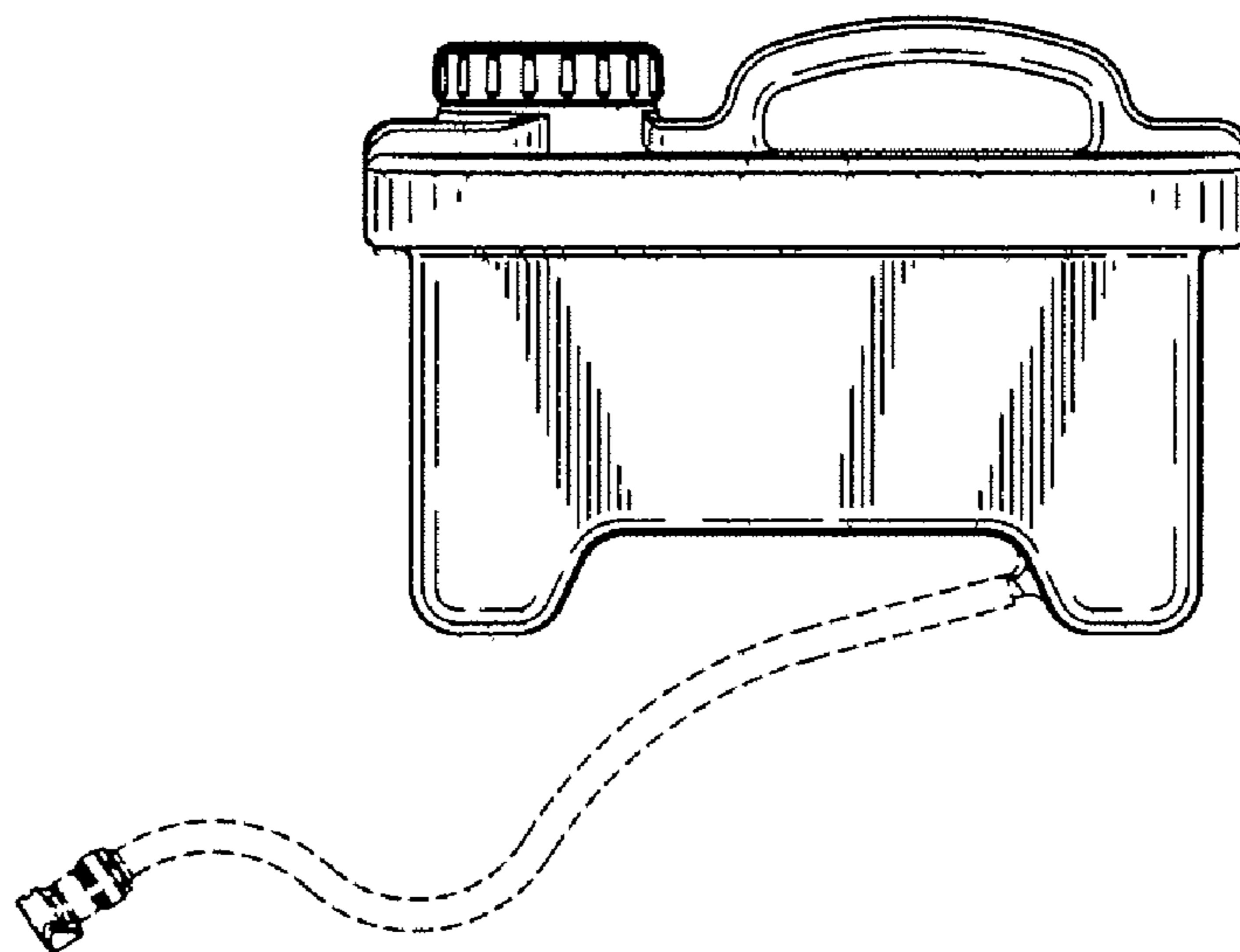


Fig. 6

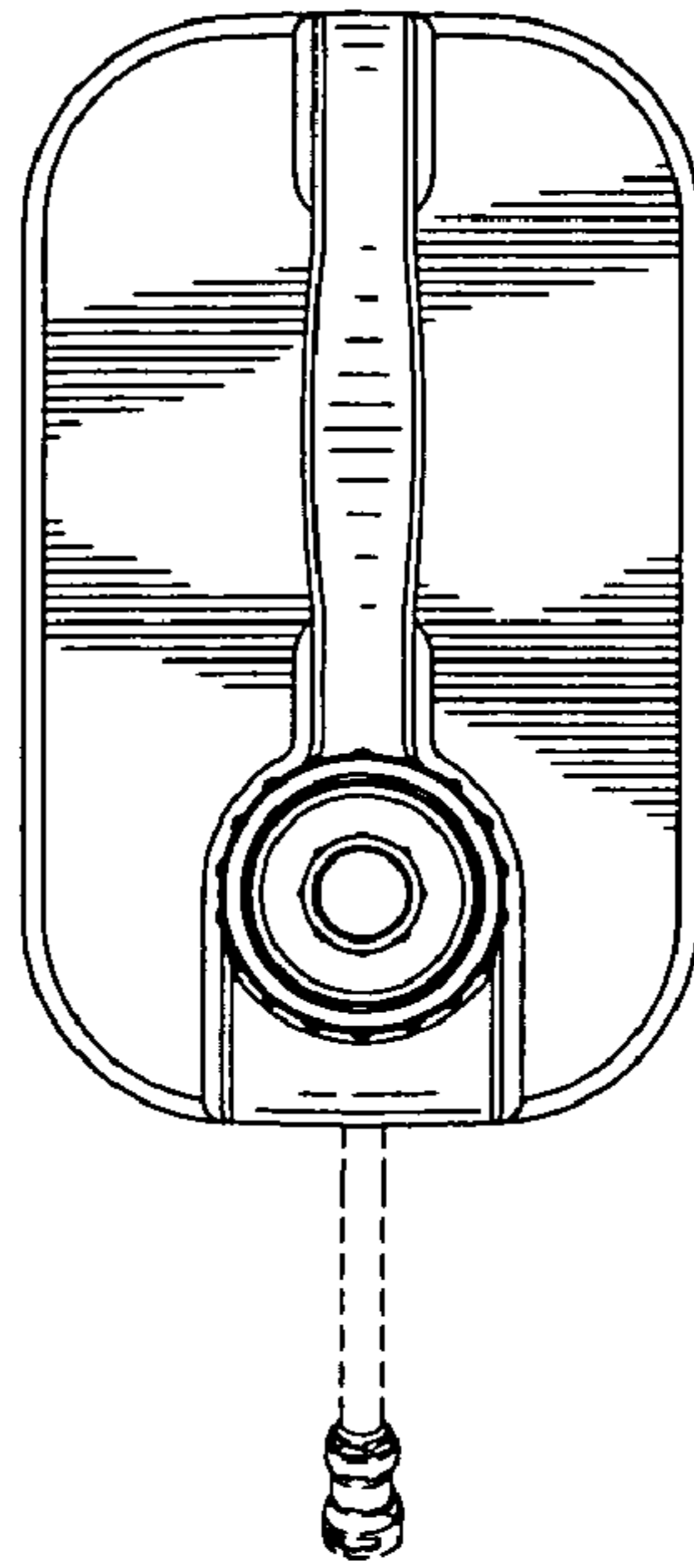


Fig. 7

