



US00D624259S

(12) **United States Design Patent**  
**Gottschall et al.**

(10) **Patent No.:** **US D624,259 S**

(45) **Date of Patent:** **\*\* Sep. 21, 2010**

(54) **VACUUM CLEANER**

(76) Inventors: **Jason S. Gottschall**, c/o Shop Vac Corporation, 2323 Reach Rd., Williamsport, PA (US) 17701; **Robert L. Crevling**, c/o Shop Vac Corporation, 2323 Reach Rd., Williamsport, PA (US) 17701; **John Griffin**, c/o Shop Vac Corporation, 2323 Reach Rd., Williamsport, PA (US) 17701

(\*\*) Term: **14 Years**

(21) Appl. No.: **29/345,385**

(22) Filed: **Oct. 15, 2009**

(51) **LOC (9) Cl.** ..... **15-05**

(52) **U.S. Cl.** ..... **D32/31**

(58) **Field of Classification Search** ..... D32/21, D32/23, 31; 15/327.1, 327.2, 327.4, 327.5, 15/327.7, 320-321, 323, 301, 312.1, 314, 15/353, 412, 347; 220/23.83, 23.6

See application file for complete search history.

(56) **References Cited**

**U.S. PATENT DOCUMENTS**

D439,710 S	3/2001	Griffin	
D444,276 S	6/2001	Griffin	
D447,844 S	9/2001	Griffin	
D460,230 S	7/2002	Griffin	
D466,659 S	12/2002	Griffin	
D469,934 S *	2/2003	Fry et al.	..... D32/23

D470,280 S *	2/2003	Griffin et al.	..... D32/23
D470,281 S *	2/2003	Griffin et al.	..... D32/23
D479,023 S *	8/2003	Holsten et al.	..... D32/23
D479,372 S *	9/2003	Griffin	..... D32/23
D519,251 S *	4/2006	Hoshino et al.	..... D32/23
D528,255 S *	9/2006	Griffin et al.	..... D32/21
D587,414 S *	2/2009	Griffin et al.	..... D32/31
D588,761 S *	3/2009	Griffin	..... D32/31
D591,467 S *	4/2009	Griffin et al.	..... D32/23

\* cited by examiner

*Primary Examiner*—Ruth McInroy

(57) **CLAIM**

The ornamental design for a vacuum cleaner, as shown and described.

**DESCRIPTION**

FIG. 1 is a top, front and left side perspective view of a vacuum cleaner showing our new design;

FIG. 2 is a front elevation view thereof;

FIG. 3 is a left side elevation view thereof;

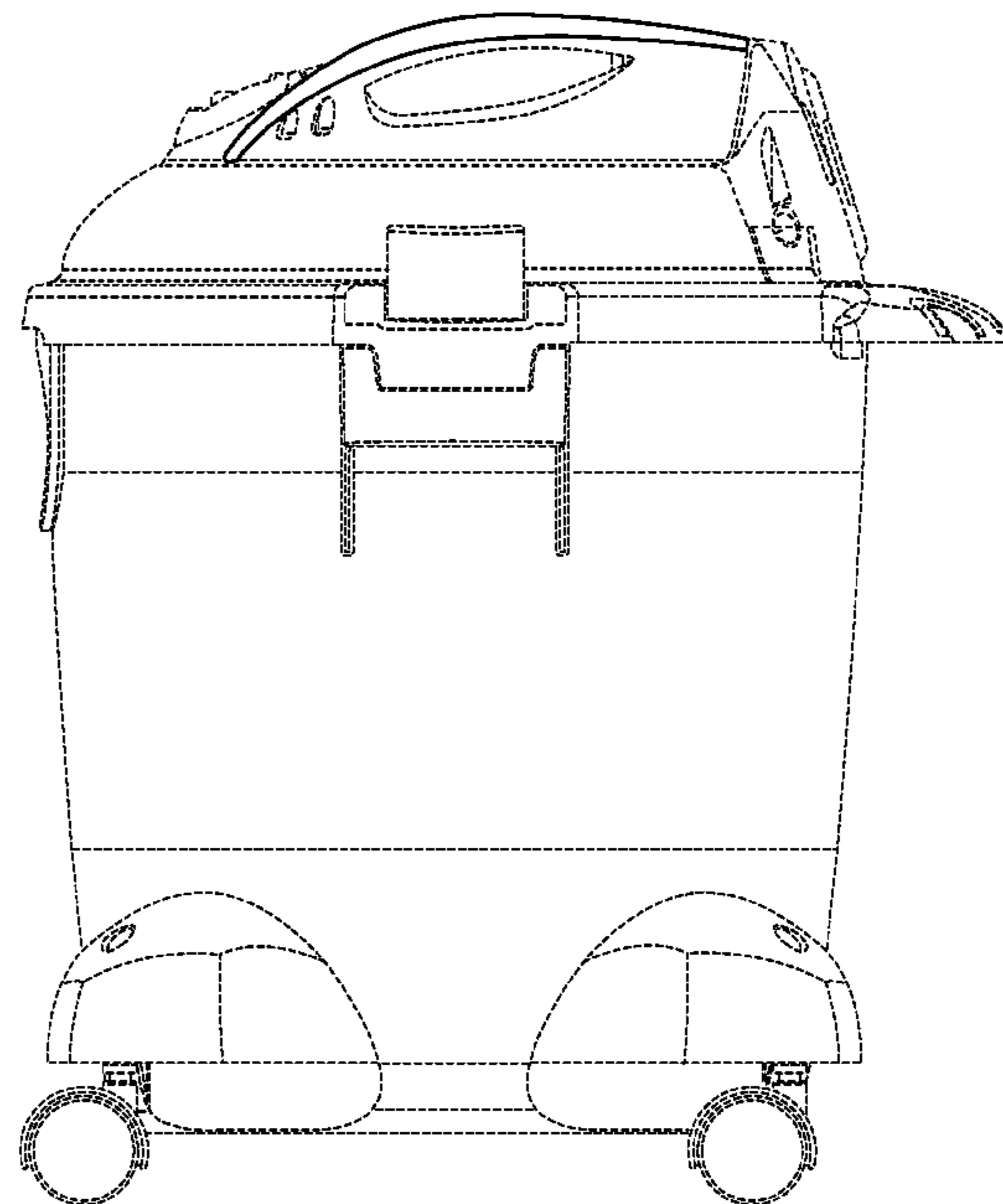
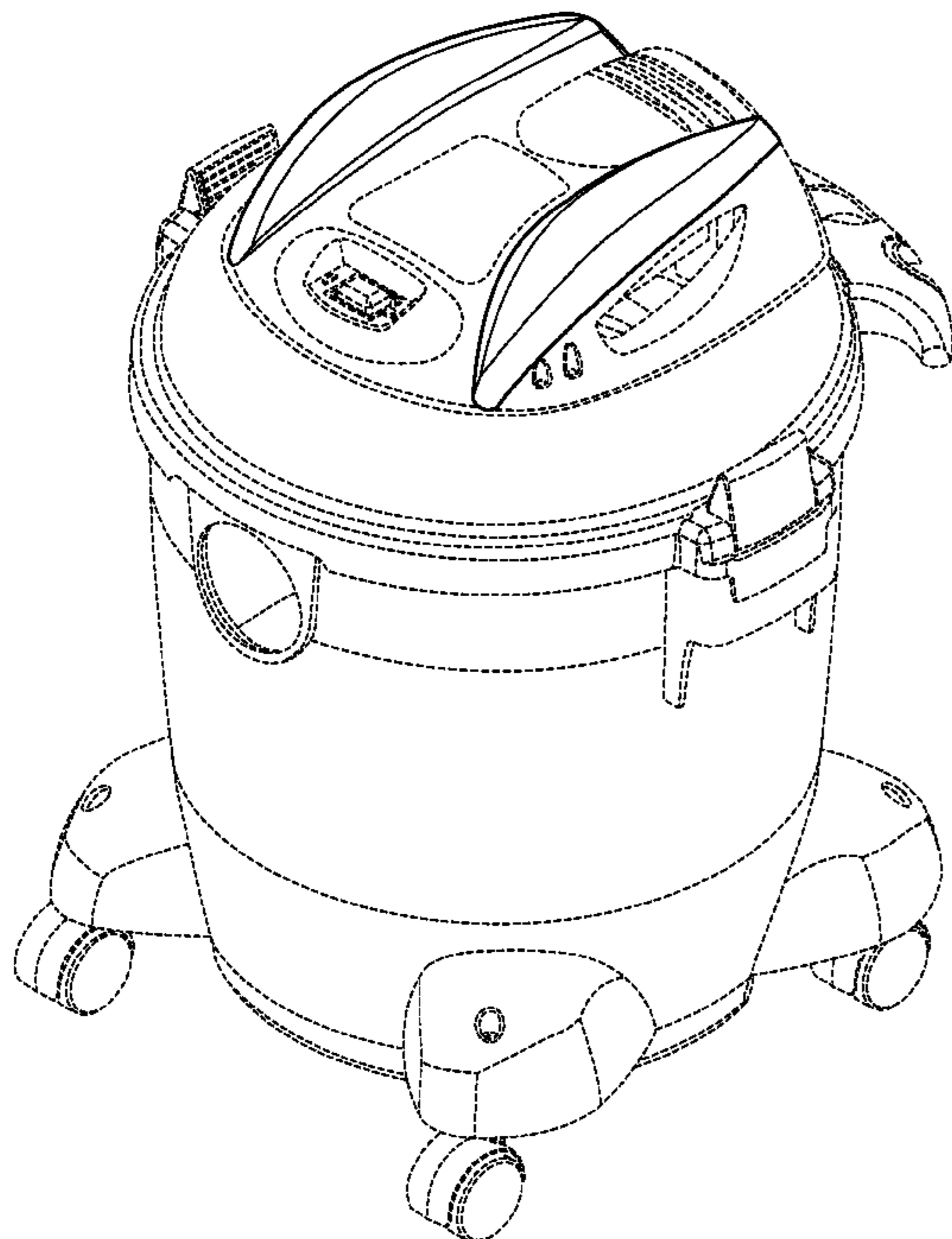
FIG. 4 is a rear elevation view thereof;

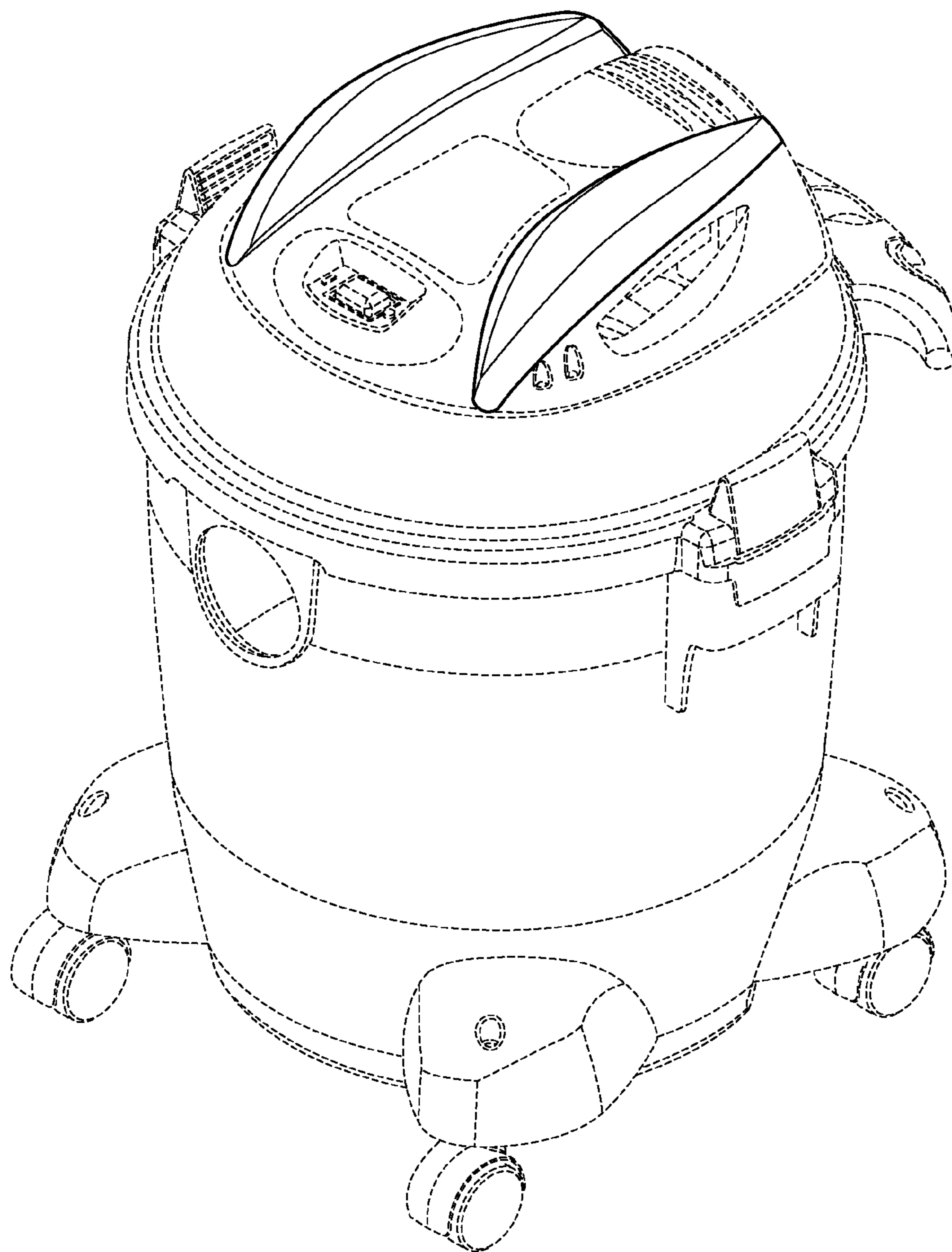
FIG. 5 is a right side elevation view thereof; and,

FIG. 6 is a top plan view thereof.

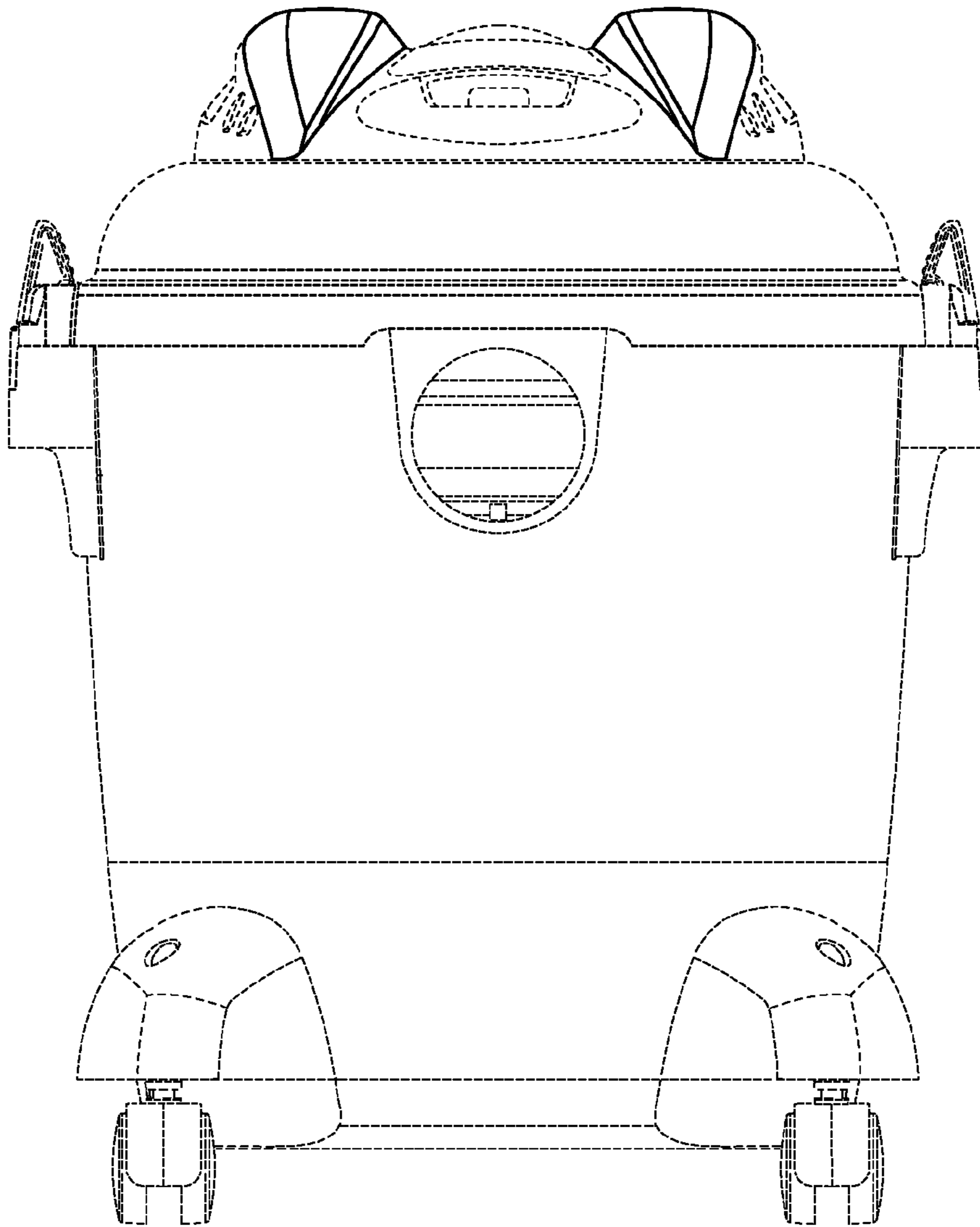
The broken line showing portions of the vacuum cleaner is for the purpose of illustrating portions of the vacuum cleaner and forms no part of the claimed design.

**1 Claim, 6 Drawing Sheets**





**FIG. 1**



**FIG. 2**

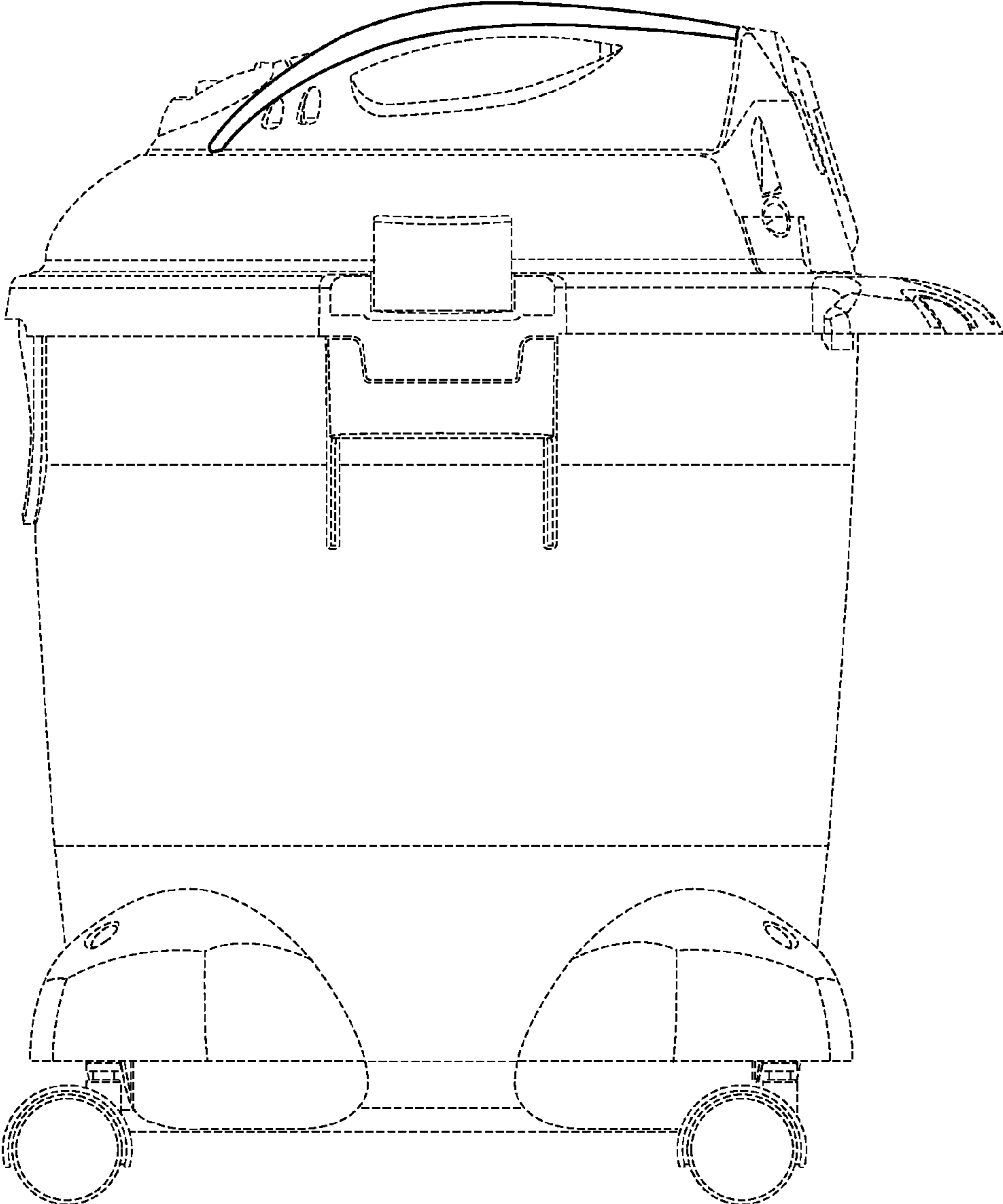
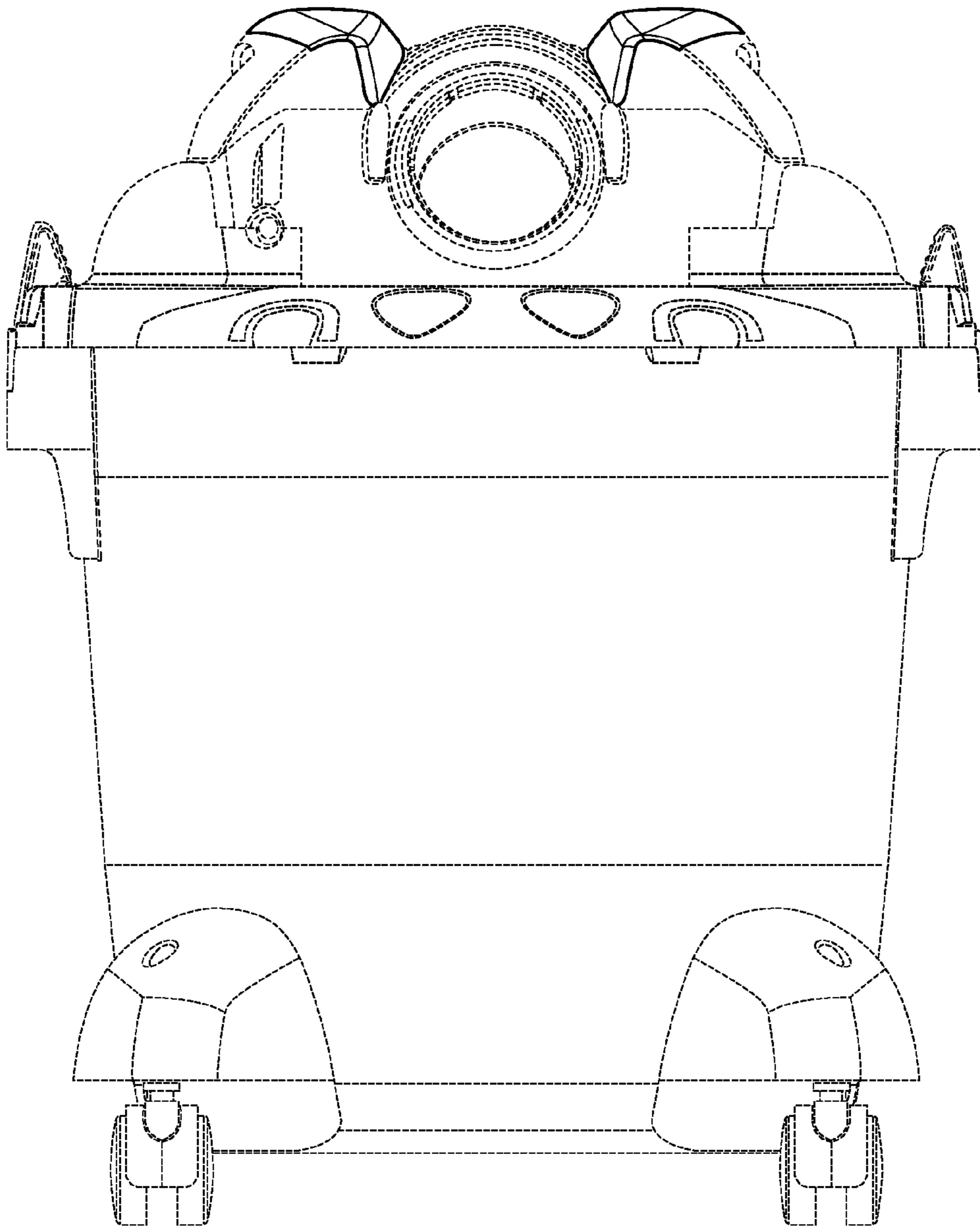
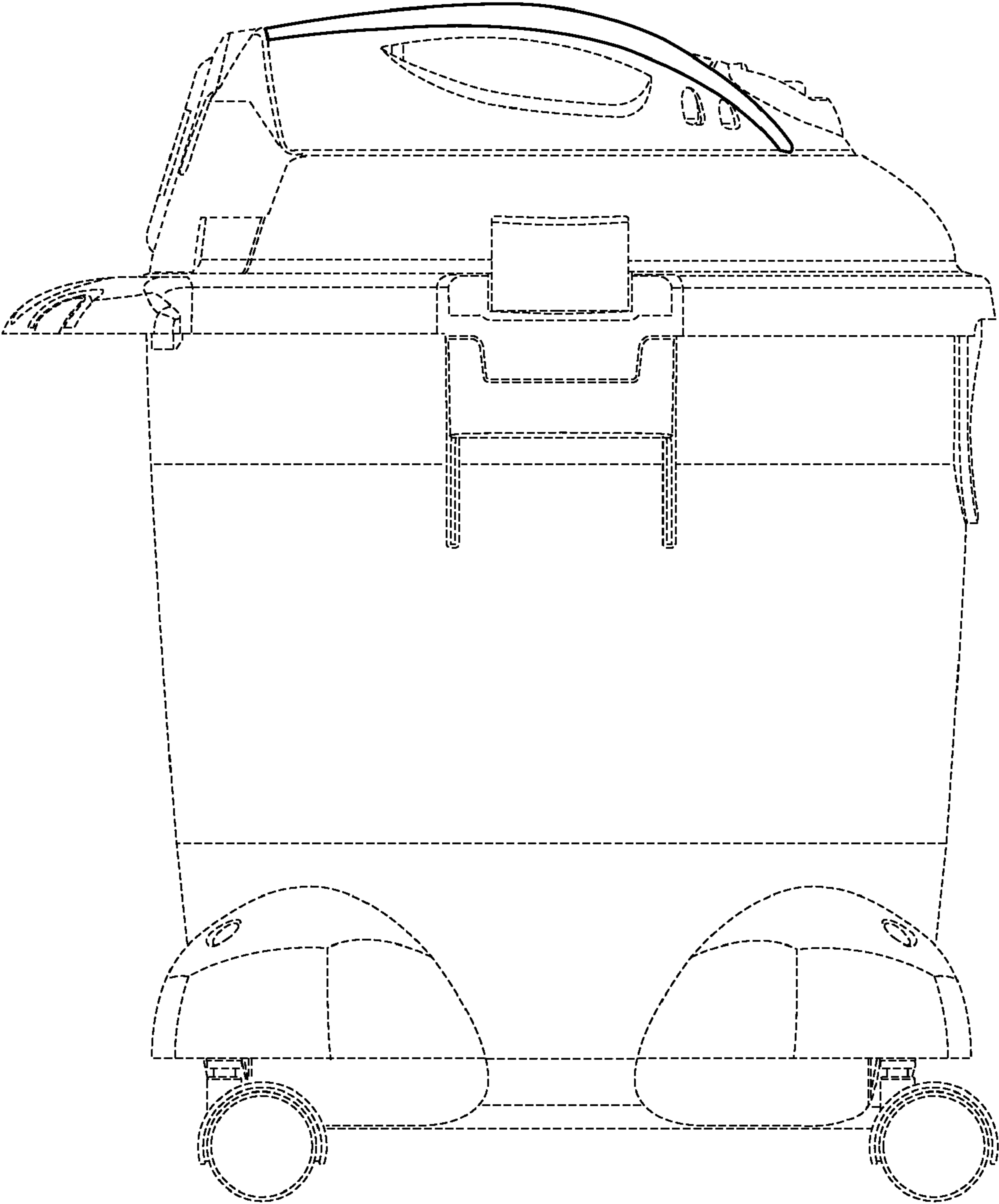


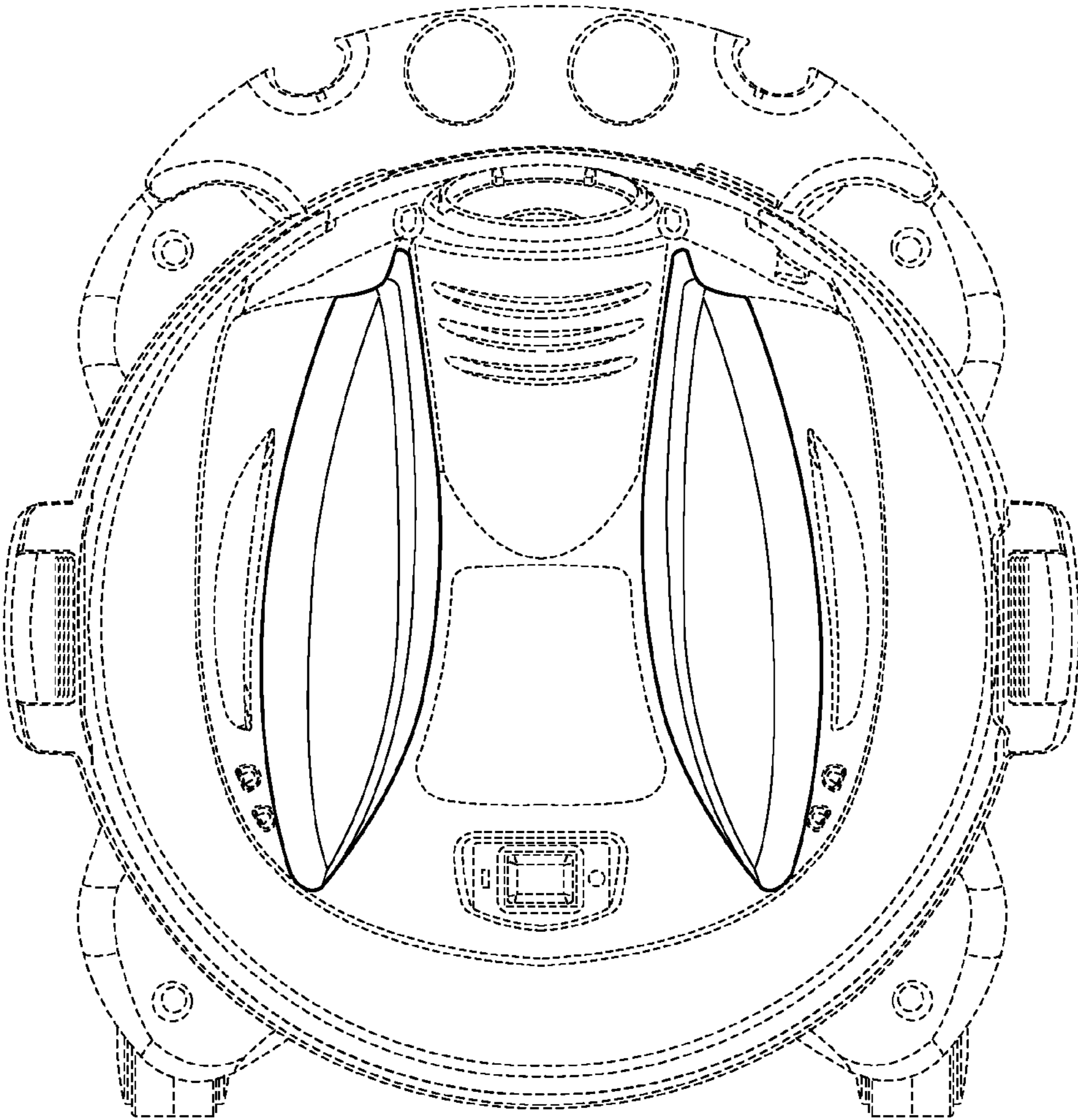
FIG. 3



**FIG. 4**



**FIG. 5**



**FIG. 6**