



US00D624258S

(12) **United States Design Patent**
Crevling, Jr. et al.

(10) **Patent No.:** **US D624,258 S**

(45) **Date of Patent:** **** Sep. 21, 2010**

(54) **VACUUM CLEANER**

(75) **Inventors:** **Robert L. Crevling, Jr.**, Cogan Station, PA (US); **Jason Gottschall**, South Williamsport, PA (US)

(73) **Assignee:** **Shop Vac Corporation**, Williamsport, PA (US)

(**) **Term:** **14 Years**

(21) **Appl. No.:** **29/342,708**

(22) **Filed:** **Aug. 31, 2009**

(51) **LOC (9) Cl.** **15-05**

(52) **U.S. Cl.** **D32/31**

(58) **Field of Classification Search** D32/21, D32/23, 31; 15/327.1, 327.2, 327.4, 327.5, 15/327.7, 320-321, 323, 301, 312.1, 314, 15/353, 412, 347; 220/23.83, 23.6
See application file for complete search history.

(56) **References Cited**

U.S. PATENT DOCUMENTS

| | | | |
|--------------|---------|----------------|--------|
| D439,710 S | 3/2001 | Griffin | |
| D444,276 S | 6/2001 | Griffin | |
| D447,844 S | 9/2001 | Griffin | |
| D460,230 S | 7/2002 | Griffin | |
| D466,659 S | 12/2002 | Griffin | |
| D470,281 S * | 2/2003 | Griffin et al. | D32/23 |
| D528,255 S * | 9/2006 | Griffin et al. | D32/21 |
| D568,562 S * | 5/2008 | Griffin et al. | D32/23 |

| | | | |
|--------------|---------|-----------------|--------|
| D568,564 S * | 5/2008 | Griffin et al. | D32/31 |
| D568,565 S * | 5/2008 | Griffin et al. | D32/31 |
| D581,114 S * | 11/2008 | Crevling et al. | D32/23 |
| D587,414 S * | 2/2009 | Griffin et al. | D32/31 |
| D599,968 S * | 9/2009 | Crevling et al. | D32/23 |

* cited by examiner

Primary Examiner—Ruth McInroy

(74) *Attorney, Agent, or Firm*—Marshall, Gerstein & Borun LLP; Richard M. LaBarge; Robert M. Gerstein

(57) **CLAIM**

The ornamental design for a vacuum cleaner, as shown and described.

DESCRIPTION

FIG. 1 is a top, front and left side perspective view of a vacuum cleaner showing our new design;

FIG. 2 is an enlarged perspective view thereof, with the head and tank in FIG. 1 removed;

FIG. 3 is a front elevation view thereof;

FIG. 4 is a left side elevation view thereof;

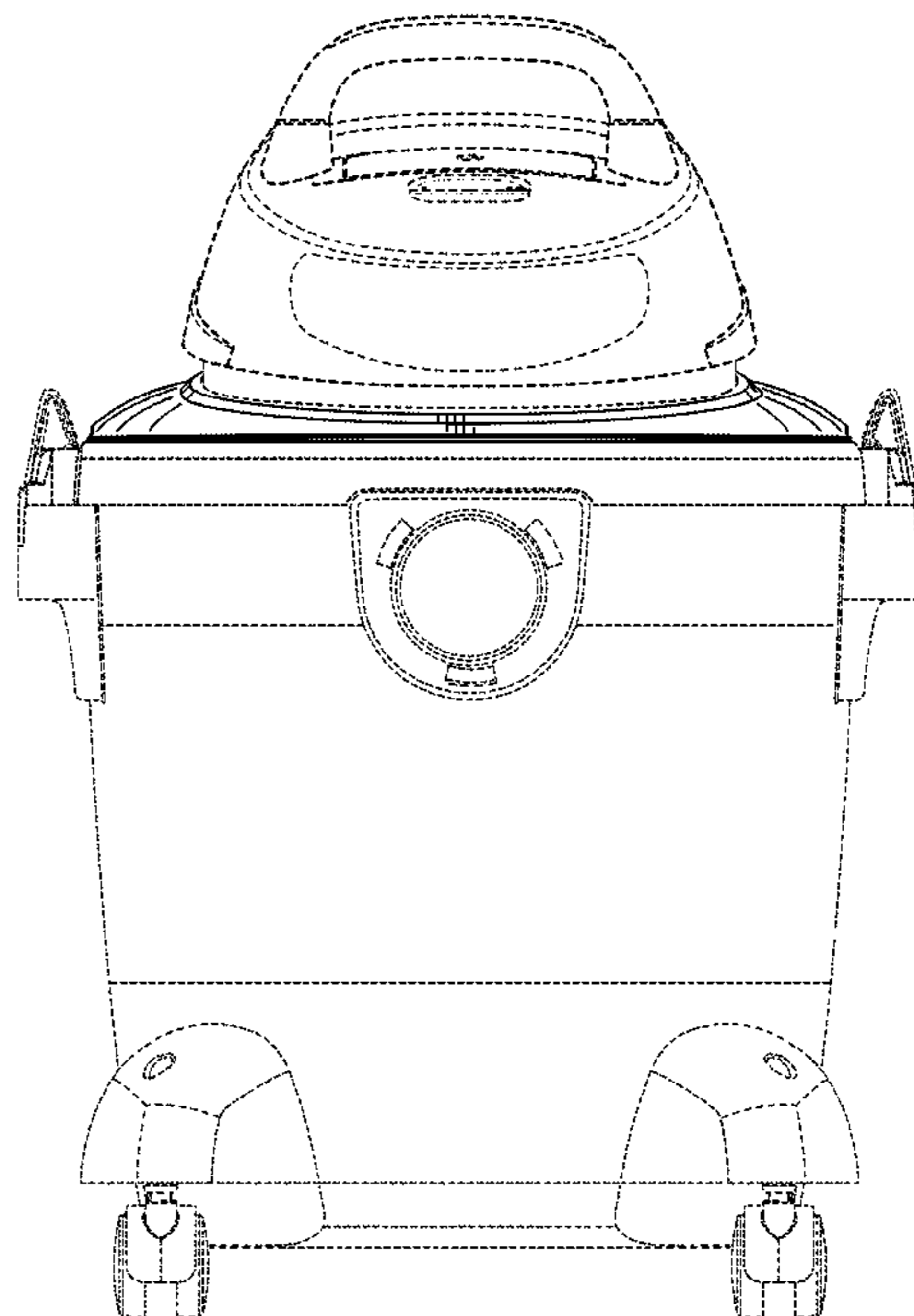
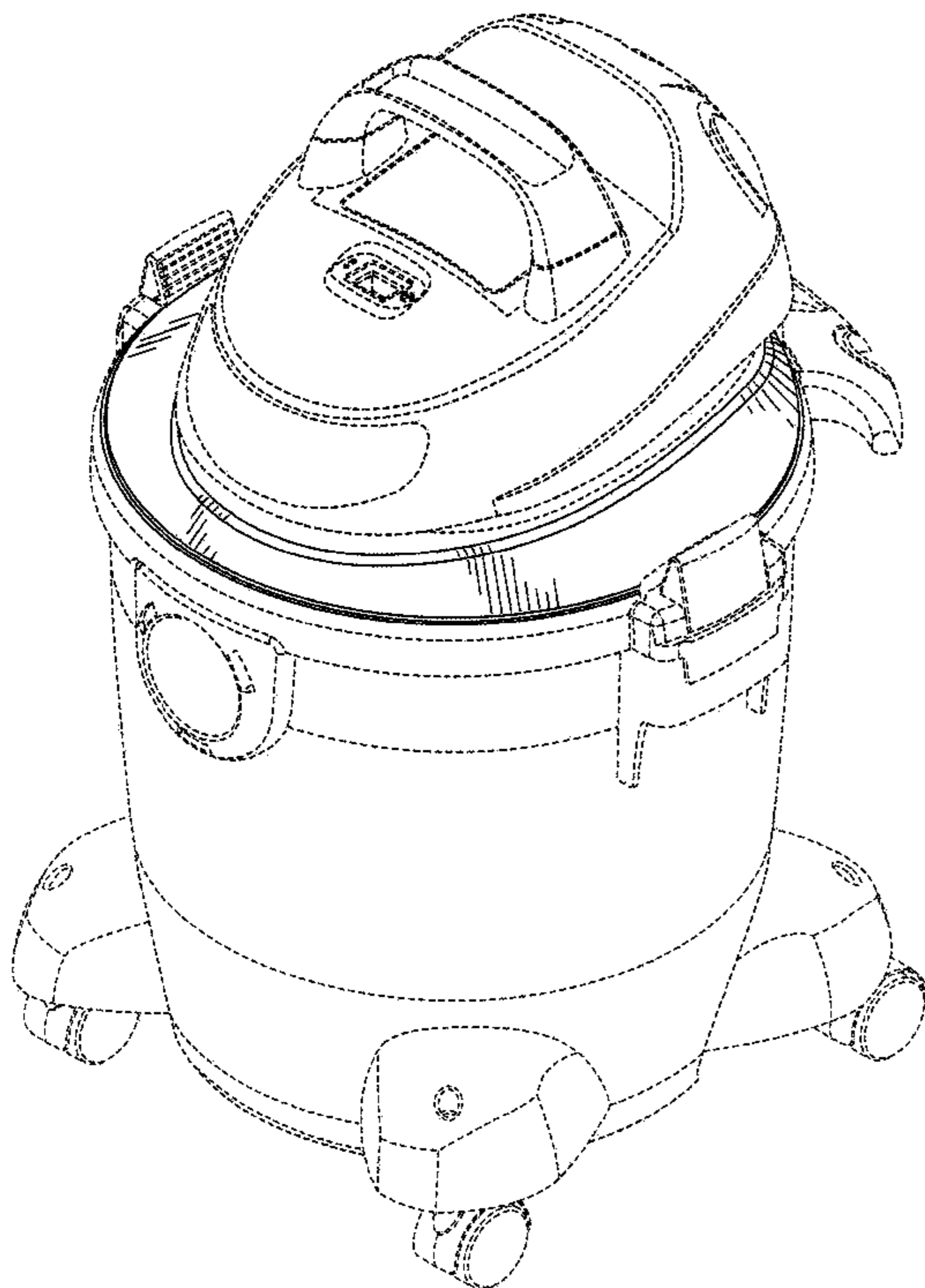
FIG. 5 is a rear elevation view thereof;

FIG. 6 is a right side elevation view thereof; and,

FIG. 7 is a top plan view thereof.

The details shown in broken lines form no part of the claimed design.

1 Claim, 7 Drawing Sheets



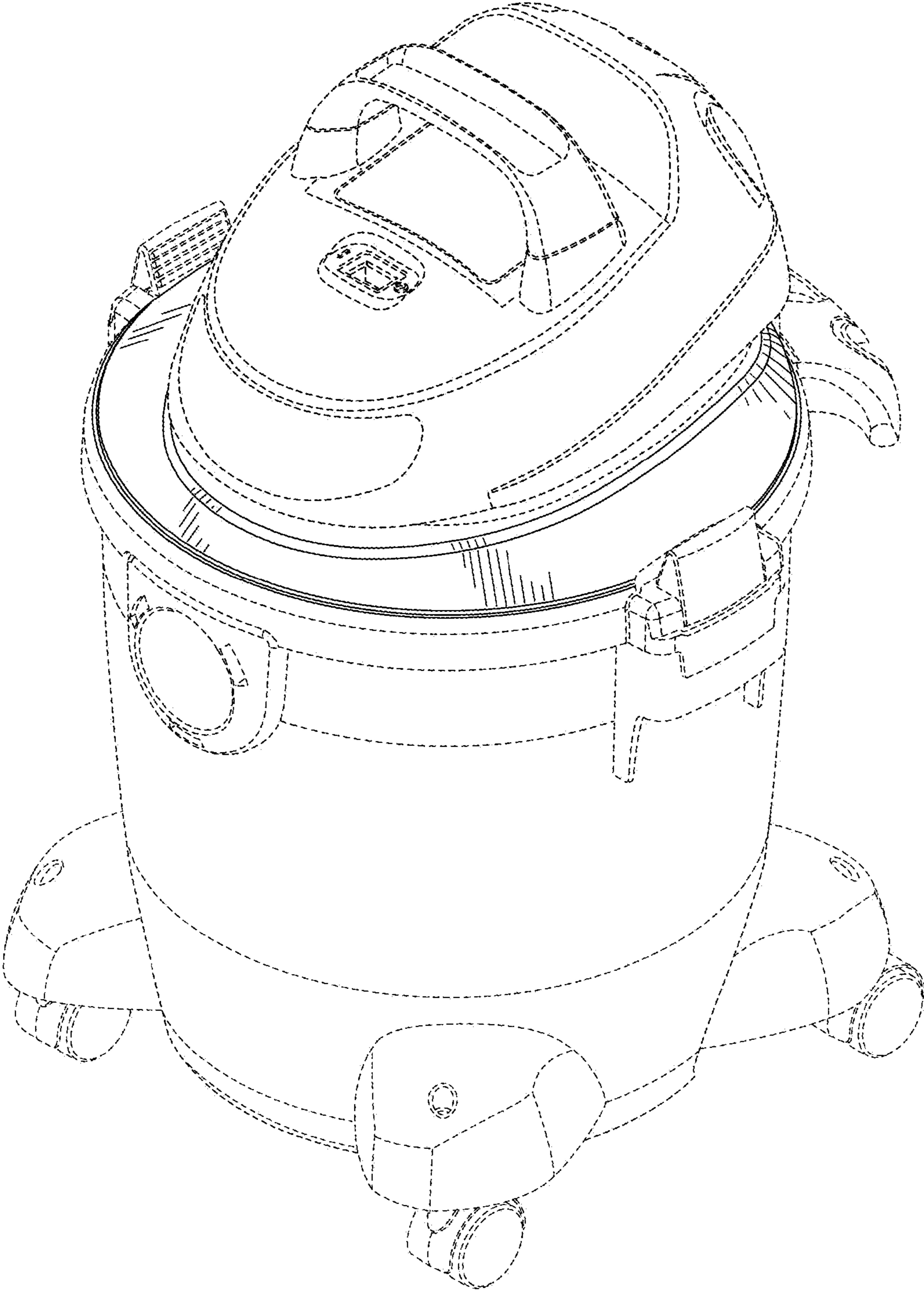


FIG. 1

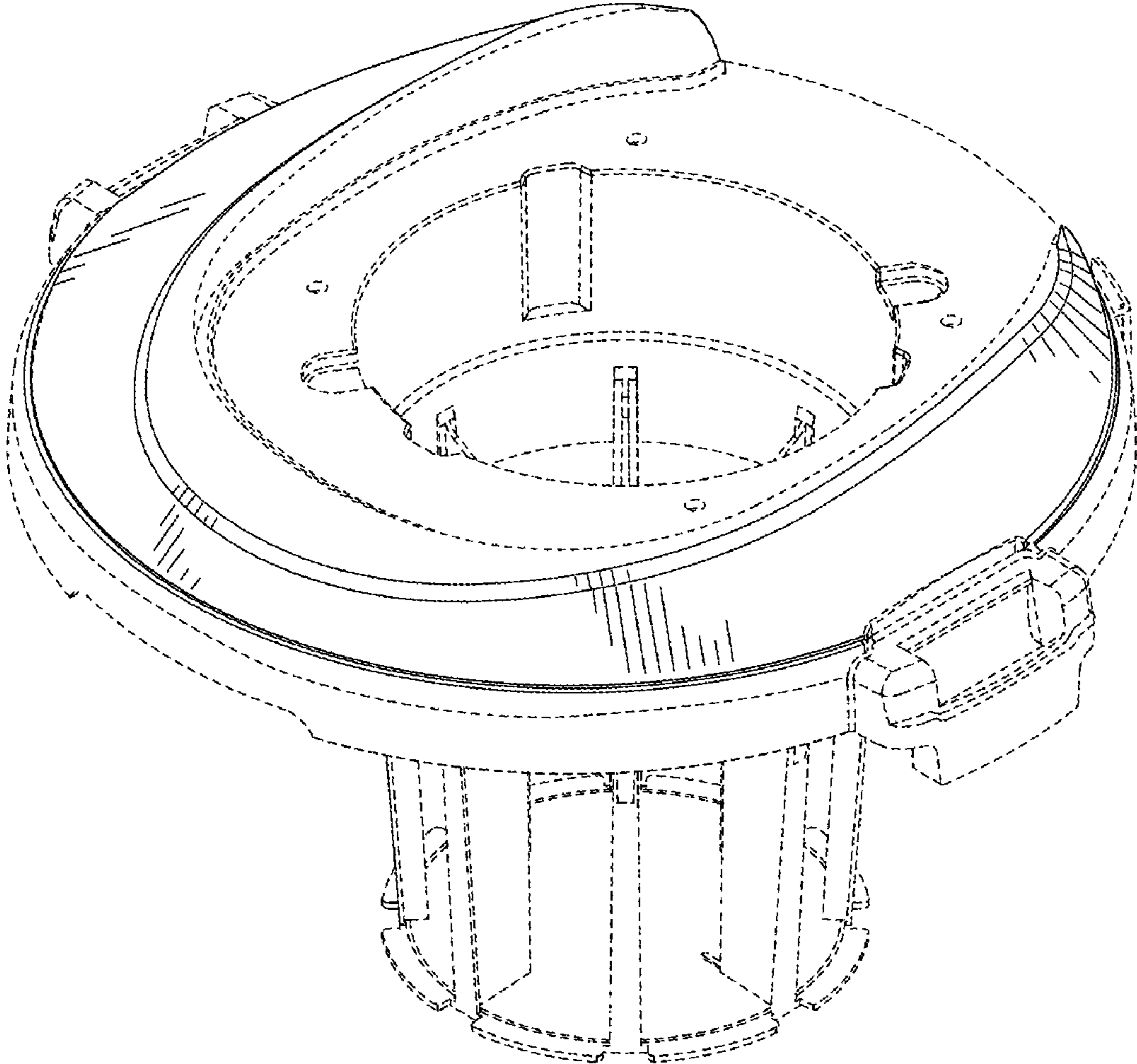


FIG. 2

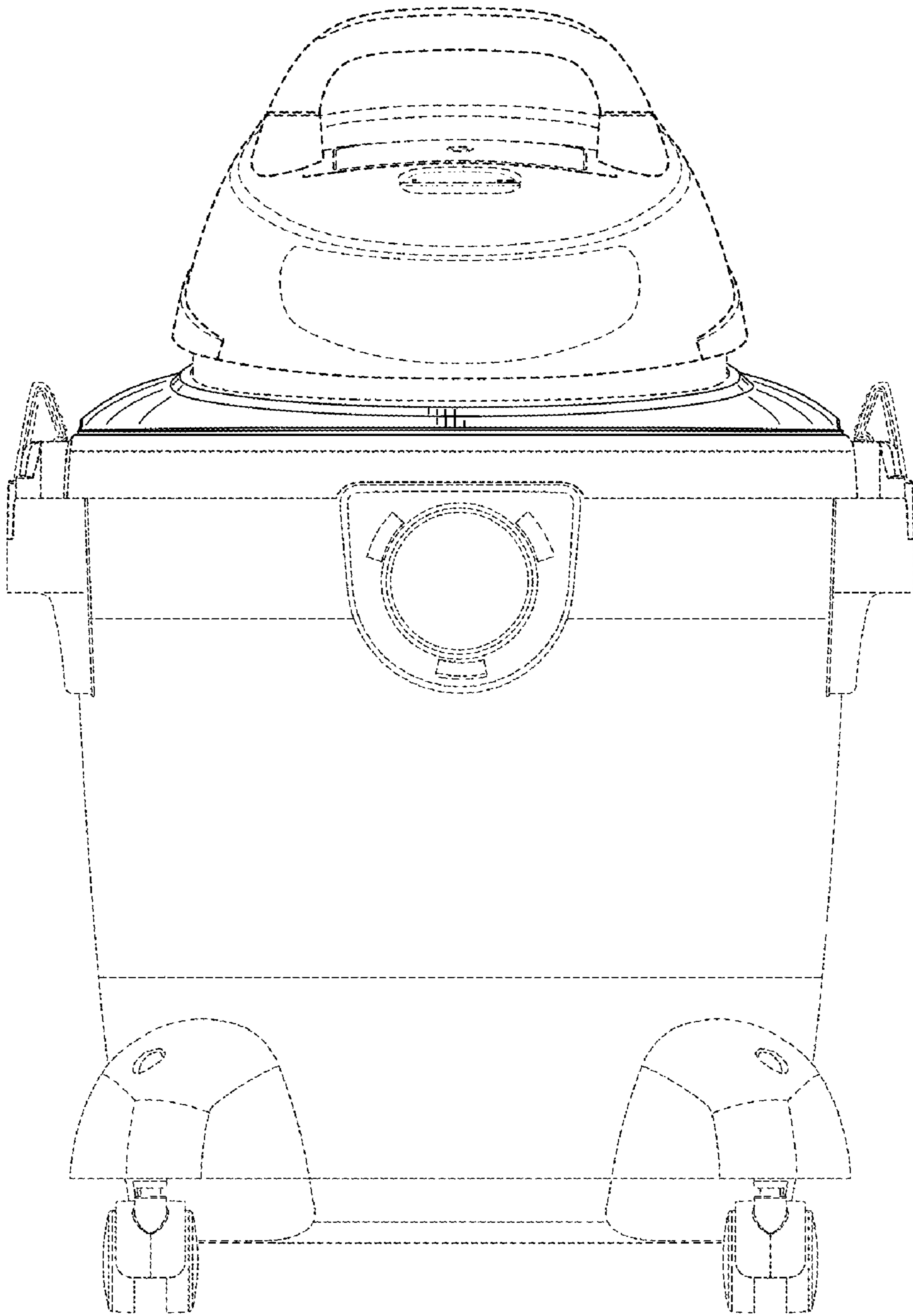


FIG. 3

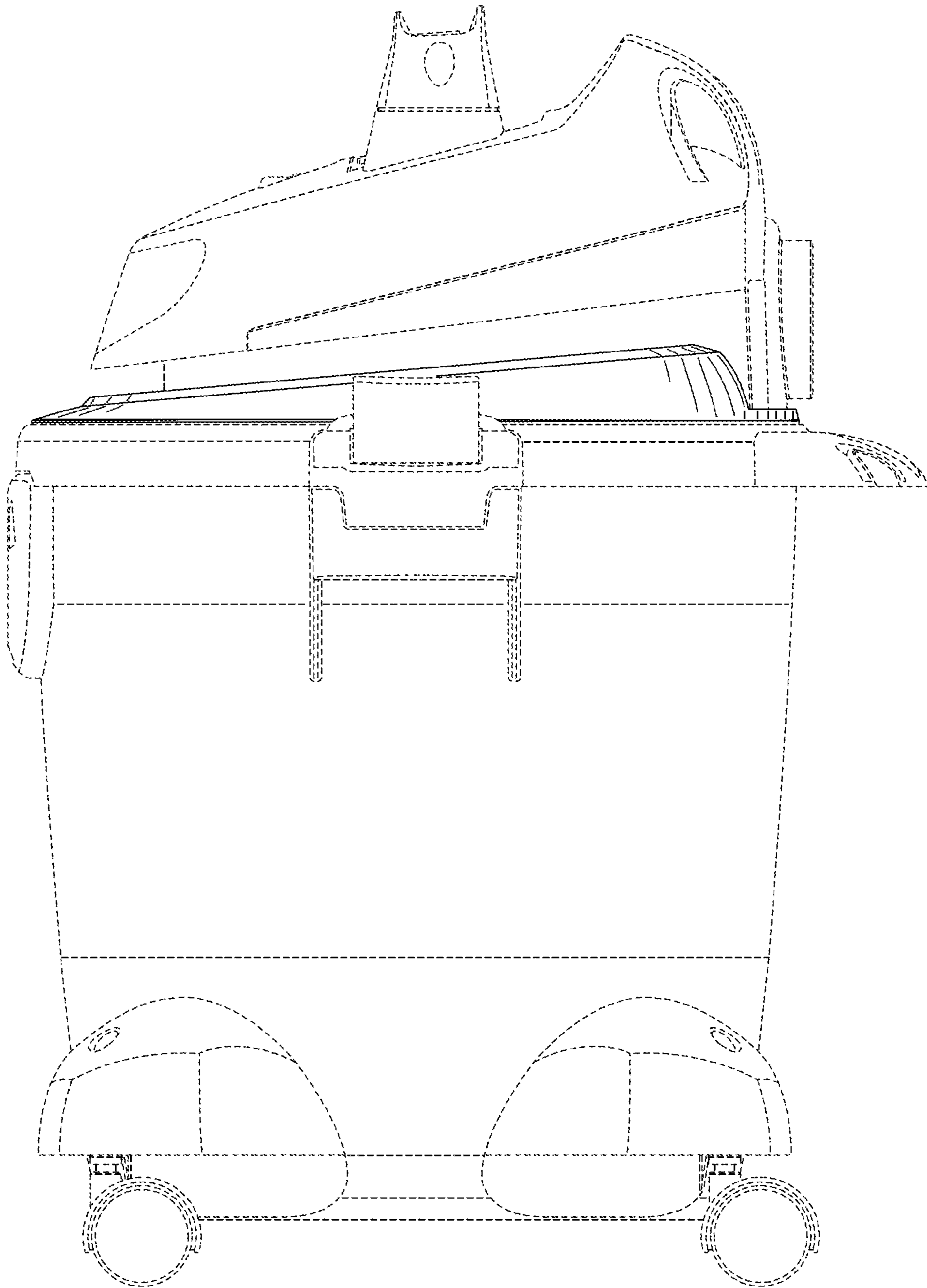


FIG. 4

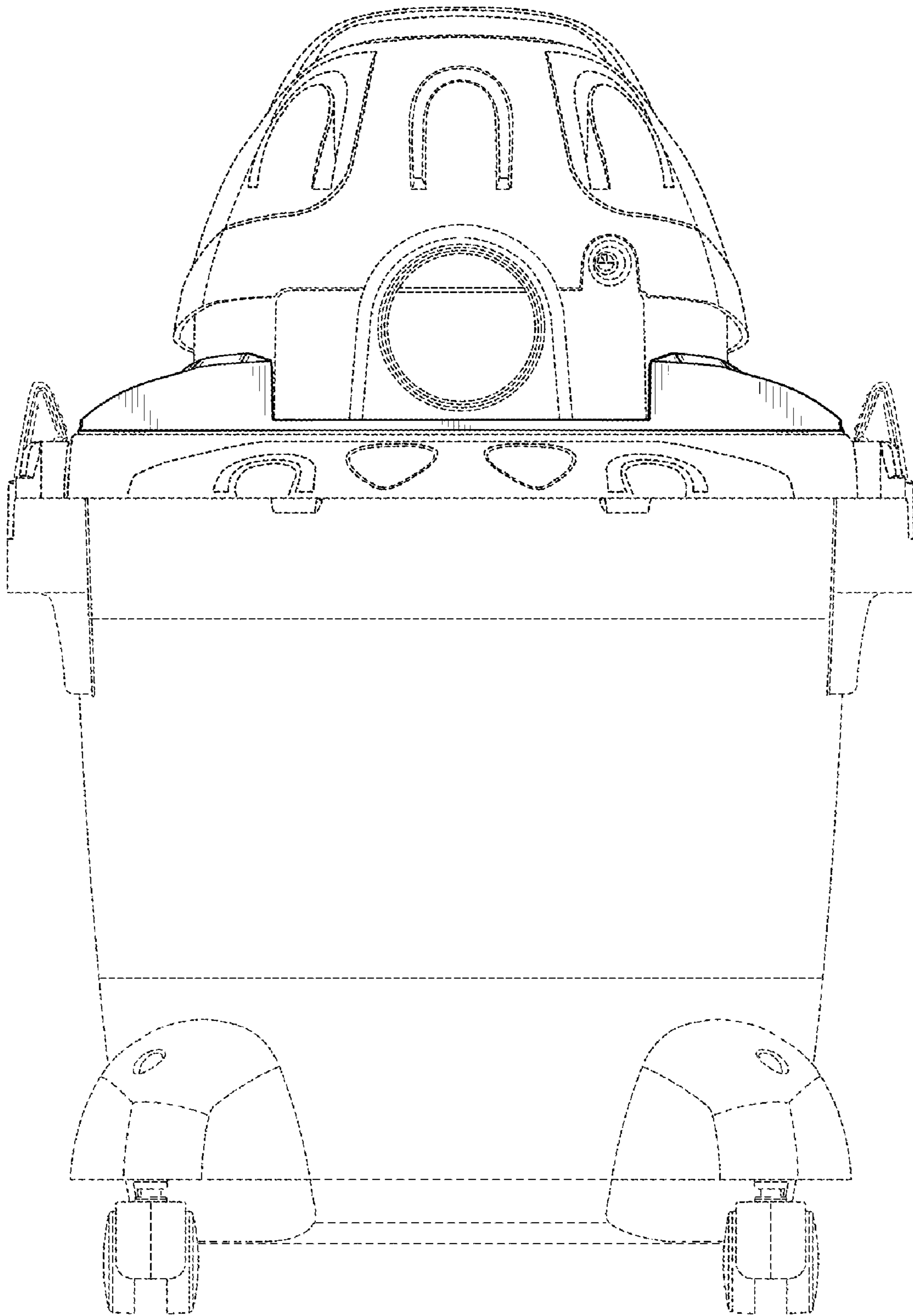


FIG. 5

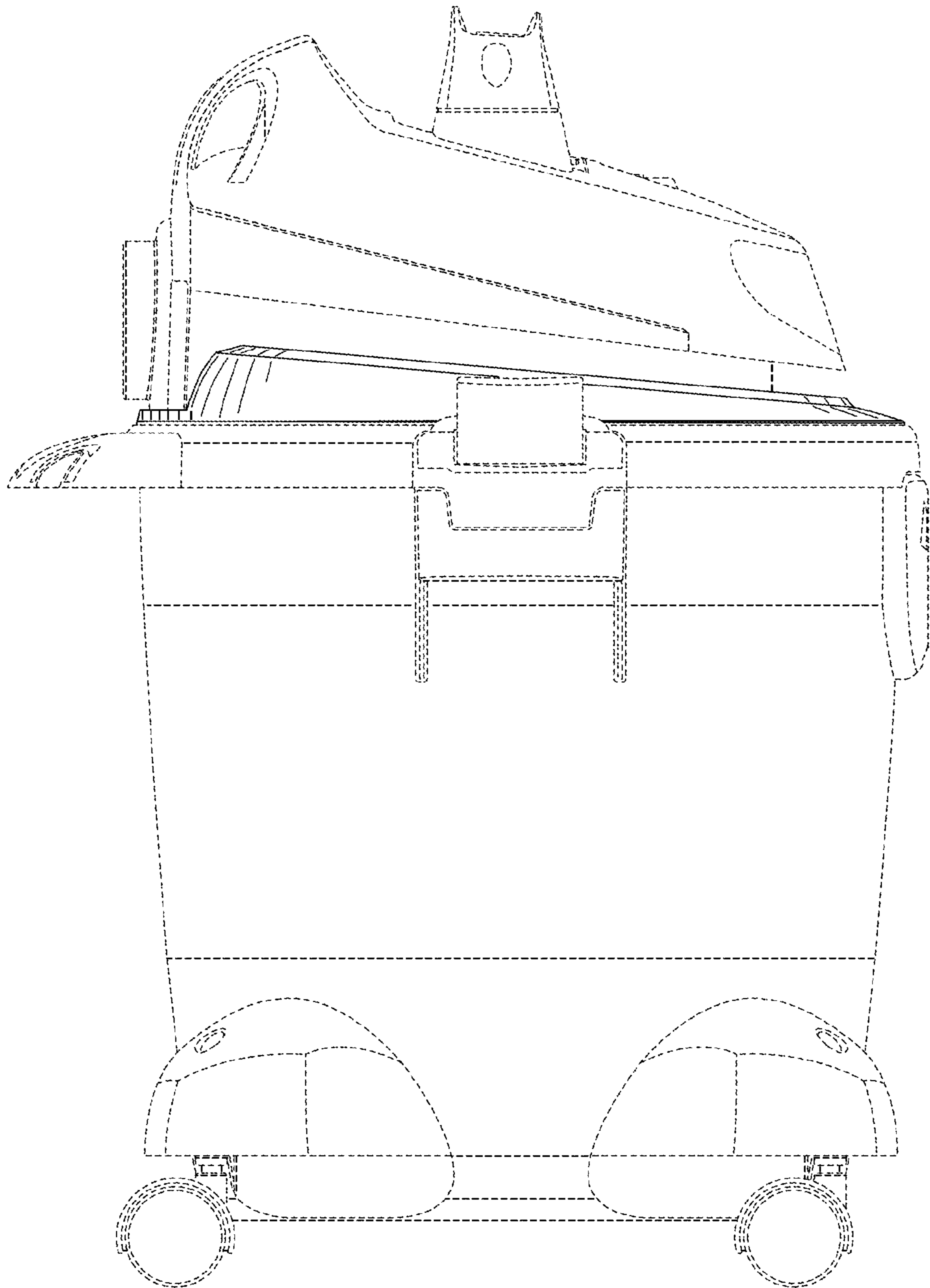


FIG. 6

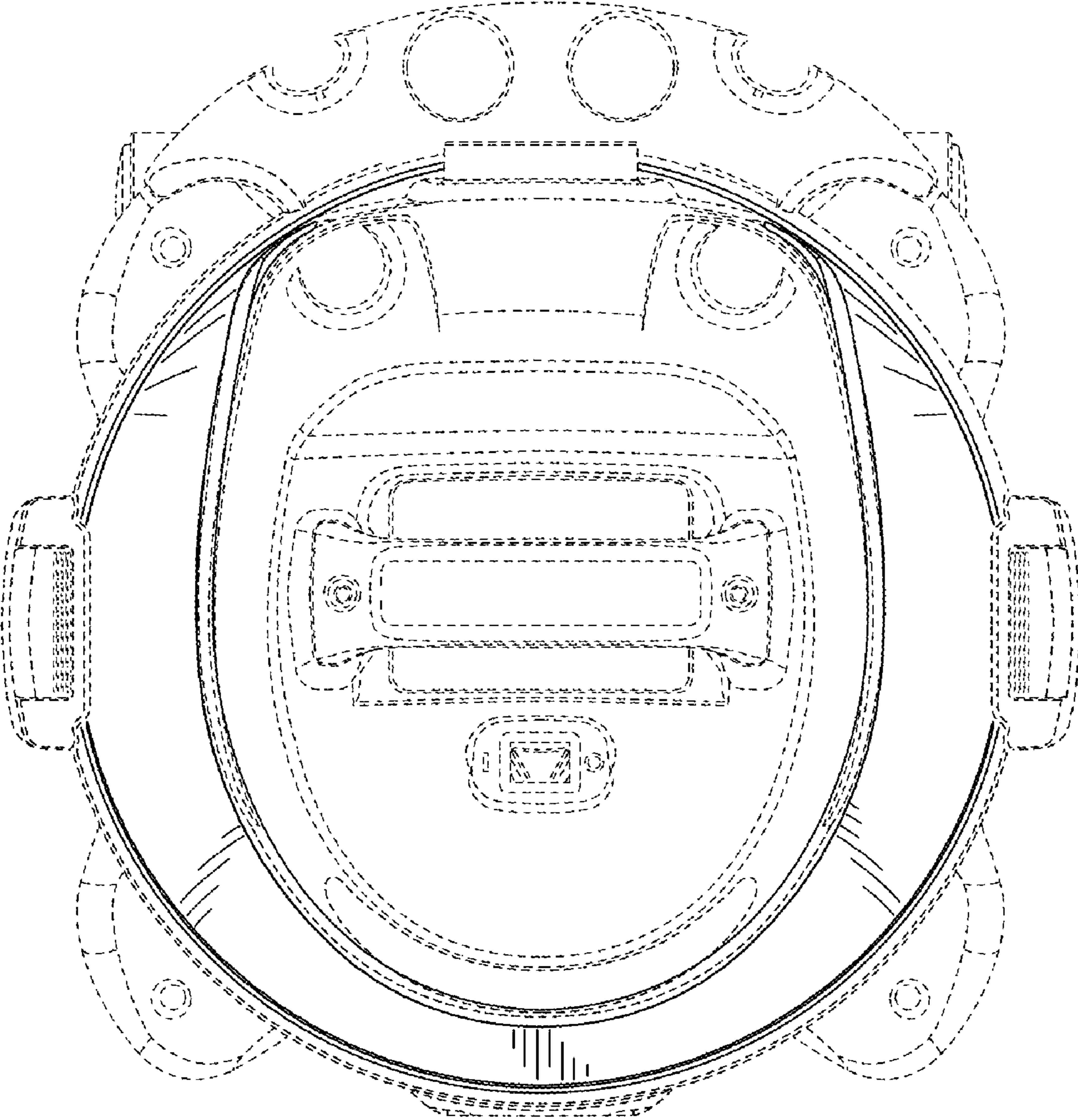


FIG. 7