



US00D624255S

(12) **United States Design Patent**
Ha

(10) **Patent No.:** **US D624,255 S**
(45) **Date of Patent:** **** Sep. 21, 2010**

(54) **DETERGENT RACK FOR WASHING MACHINE**

(75) Inventor: **Young Soo Ha**, Seoul (KR)

(73) Assignee: **LG Electronics Inc.**, Seoul (KR)

(**) Term: **14 Years**

(21) Appl. No.: **29/337,803**

(22) Filed: **May 29, 2009**

(30) **Foreign Application Priority Data**

Dec. 3, 2008 (KR) 30-2008-0052164

(51) **LOC (9) Cl.** **15-05**

(52) **U.S. Cl.** **D32/25**

(58) **Field of Classification Search** D32/25,
D32/30; 68/17 R; 134/25.2, 58, 93, 200;
D6/544-545

See application file for complete search history.

(56) **References Cited**

U.S. PATENT DOCUMENTS

- D129,536 S * 9/1941 Moon D32/25
- D232,187 S * 7/1974 McCollom D32/25
- 4,917,272 A * 4/1990 Ikeda 222/231
- D324,619 S * 3/1992 Comstock et al. D6/544
- D344,166 S * 2/1994 Jones D32/30
- D345,636 S * 3/1994 Naporano D32/29.1

- D356,193 S * 3/1995 Reynolds D32/30
- D435,151 S * 12/2000 Schober D32/25
- D524,496 S * 7/2006 No et al. D32/25
- 7,543,465 B2 * 6/2009 Kwon et al. 68/17 R

* cited by examiner

Primary Examiner—T. Chase Nelson

Assistant Examiner—Kathleen M Sims

(74) *Attorney, Agent, or Firm*—Morgan Lewis & Bockius LLP

(57) **CLAIM**

The ornamental design for a detergent rack for washing machine, shown and described.

DESCRIPTION

FIG. 1 is a top, front, perspective view of a detergent rack for washing machine showing my new design;

FIG. 2 is a front view thereof;

FIG. 3 is a rear view thereof;

FIG. 4 is a left side view thereof;

FIG. 5 is a right side view thereof;

FIG. 6 is a top plan view thereof; and,

FIG. 7 is a bottom plan view thereof.

The broken lines depict portions of the detergent rack for washing machine that form no part of the claimed design.

1 Claim, 3 Drawing Sheets

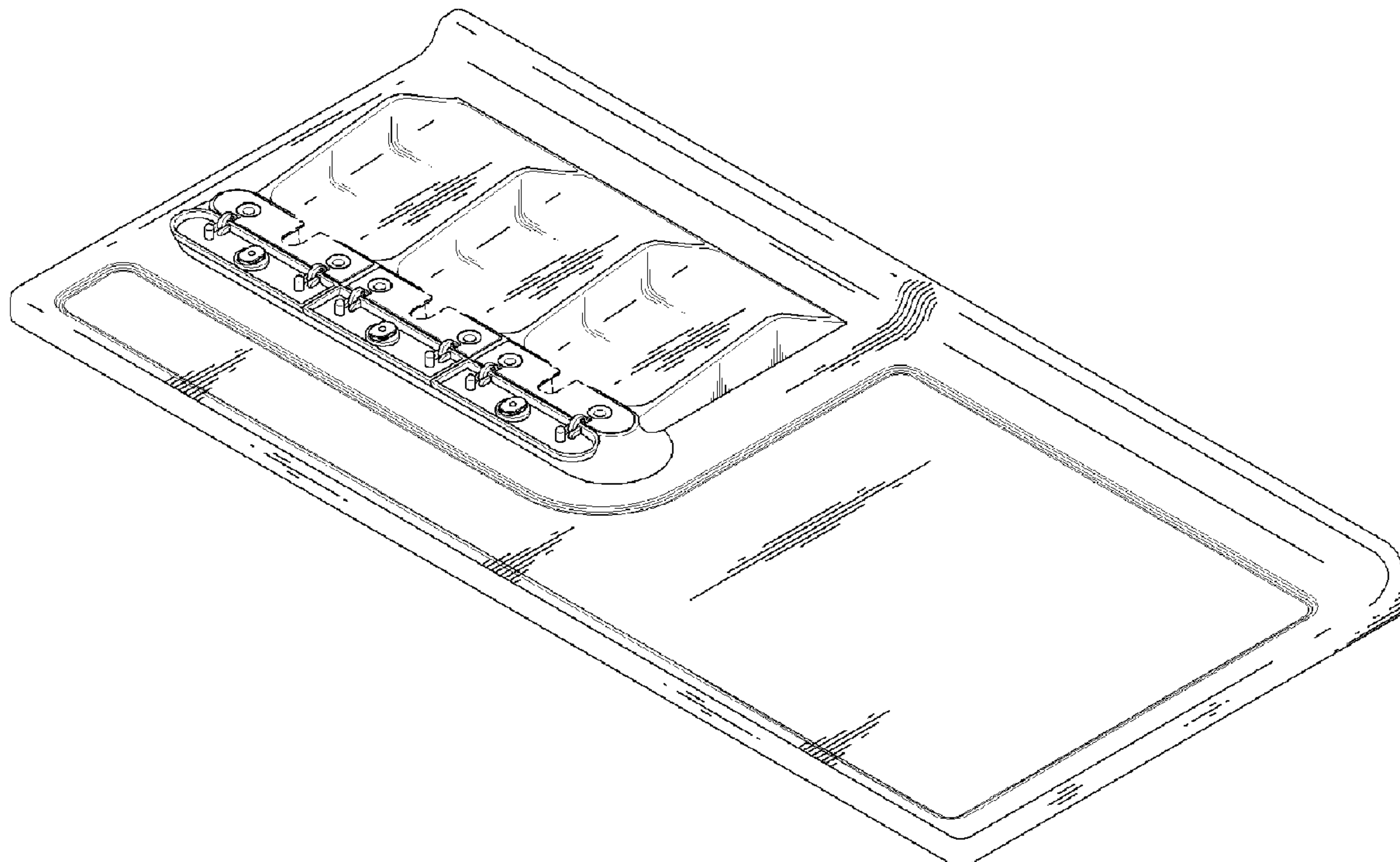


FIG. 1

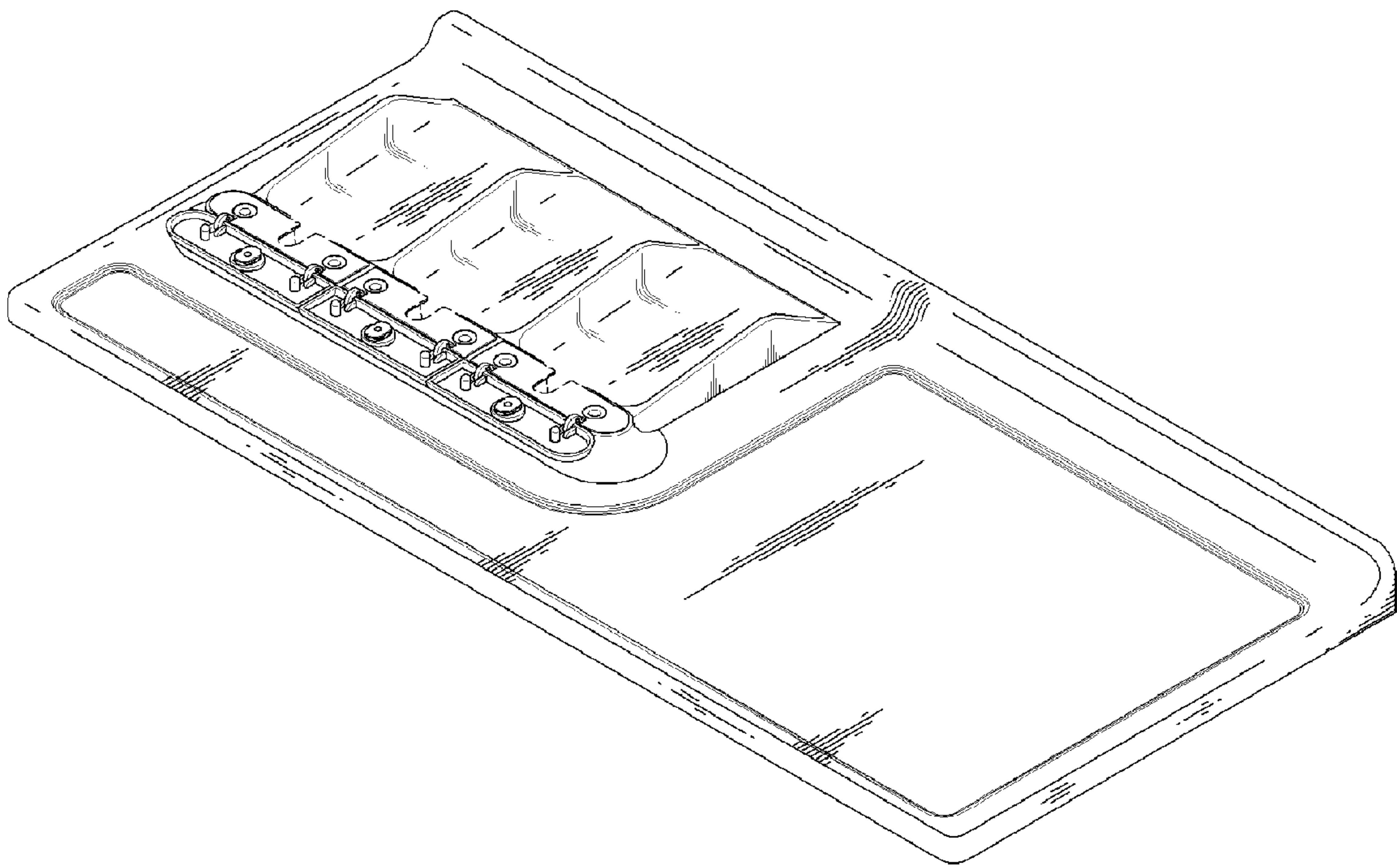


FIG. 2

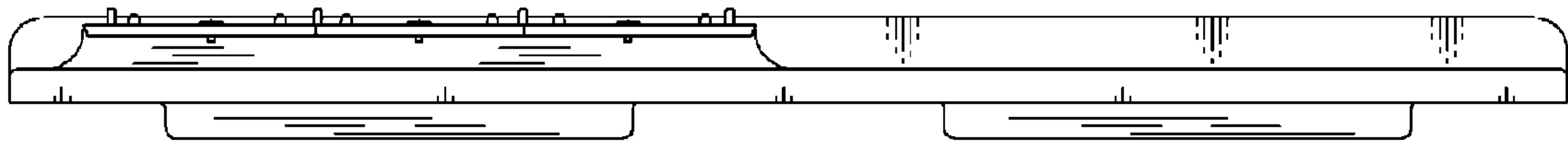


FIG. 3

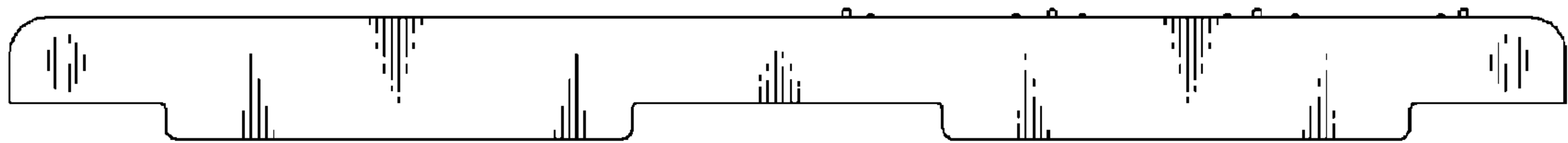


FIG. 4

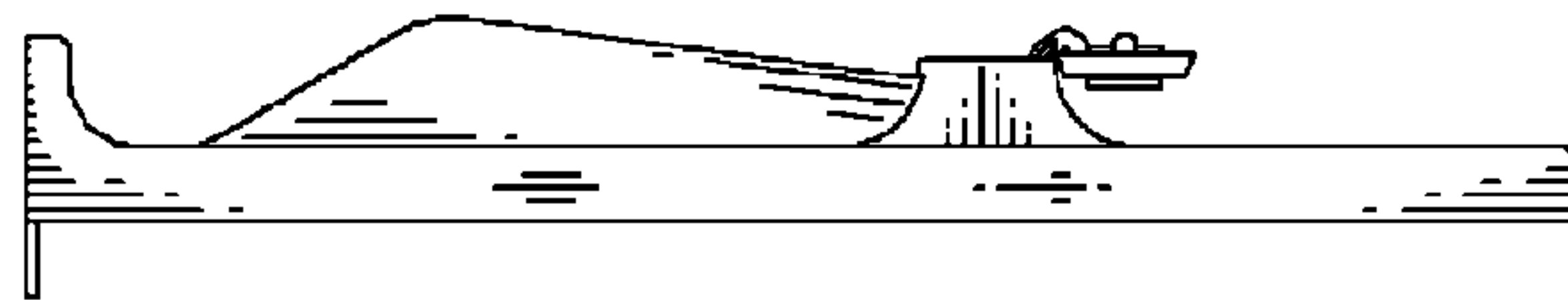


FIG. 5

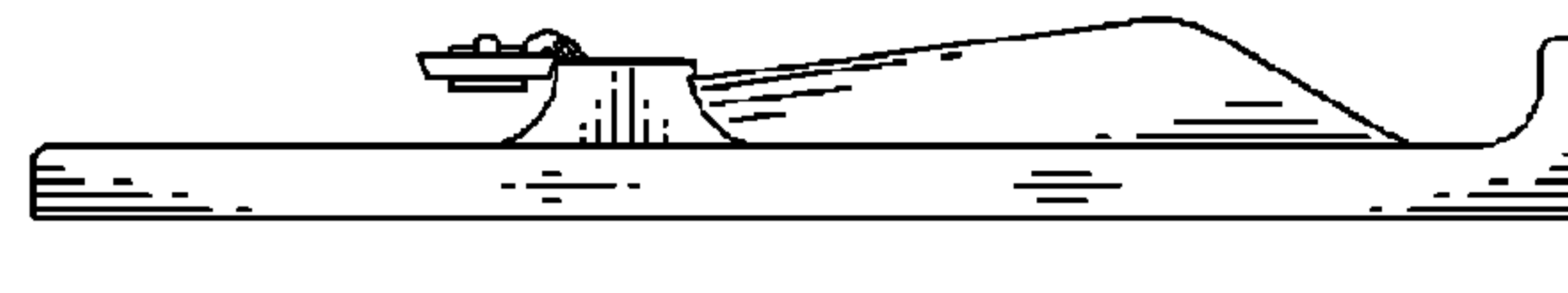


FIG. 6

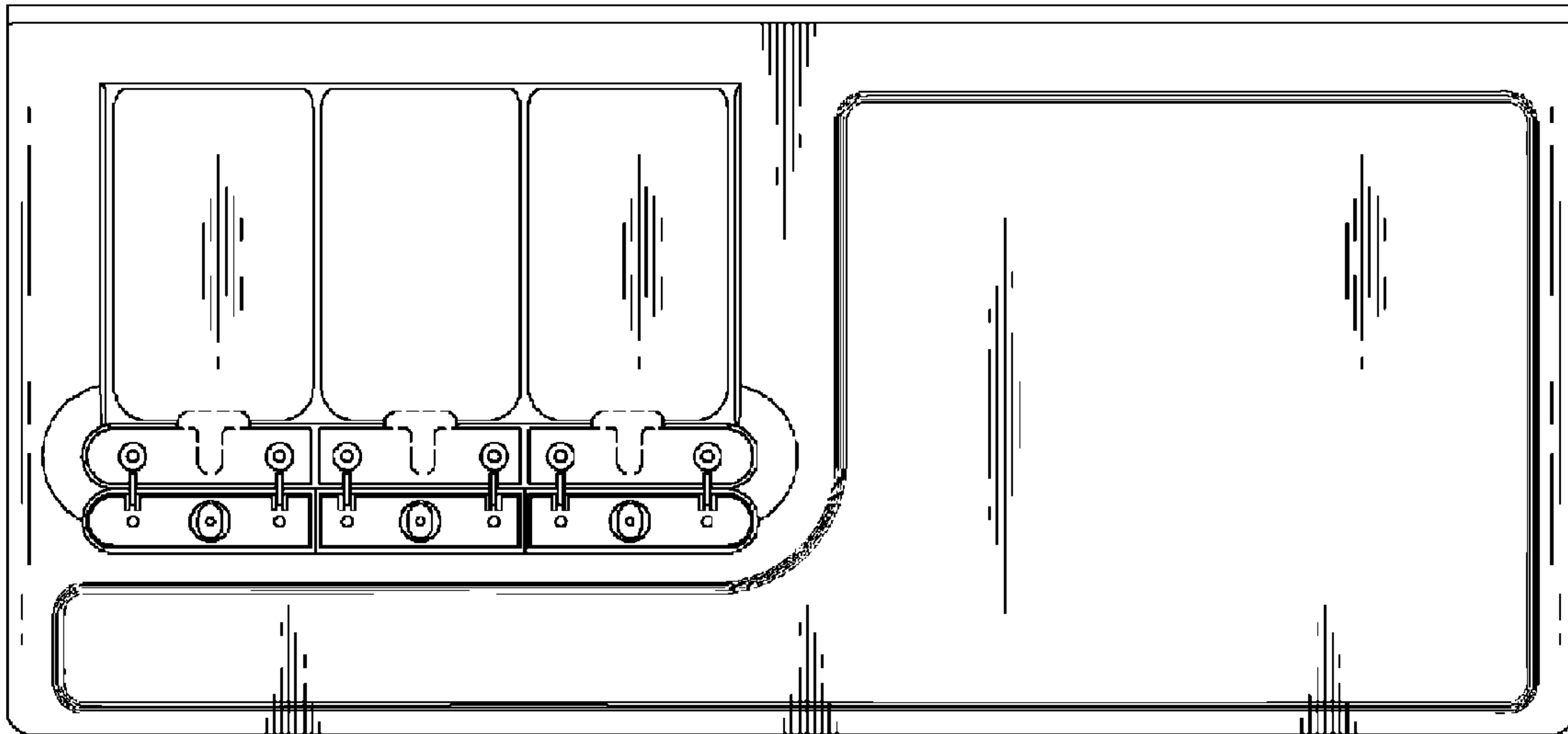


FIG. 7

