



US00D624253S

(12) **United States Design Patent**  
**Perez**

(10) **Patent No.:** **US D624,253 S**

(45) **Date of Patent:** **\*\* Sep. 21, 2010**

(54) **WASHING MACHINE WITH TIMER AND LAUNDRY-PRODUCT DISPENSING CONTAINERS**

2006/0081016 A1\* 4/2006 Hsu et al. .... 68/12.18  
2006/0117811 A1 6/2006 Kinnetz

\* cited by examiner

(76) Inventor: **Guillermo Perez**, 234 W. 34th St.,  
Hialeah, FL (US) 33012

*Primary Examiner*—T. Chase Nelson  
*Assistant Examiner*—Kathleen M Sims

(\*\*) Term: **14 Years**

(57) **CLAIM**

(21) Appl. No.: **29/356,906**

The ornamental design for a washing machine with timer and laundry-product dispensing containers, as shown and described.

(22) Filed: **Mar. 4, 2010**

(51) **LOC (9) Cl.** ..... **15-05**

(52) **U.S. Cl.** ..... **D32/6**

(58) **Field of Classification Search** ..... D32/1,  
D32/5-6, 8; 68/3 R, 5 R, 12.01, 12.08; 34/87,  
34/88, 524, 534; 312/31

See application file for complete search history.

**DESCRIPTION**

FIG. 1 is a perspective view of a washing machine with timer and laundry-product dispensing containers showing my new design;

FIG. 2 is a front view thereof;

FIG. 3 is a back view thereof;

FIG. 4 is a side view thereof;

FIG. 5 is an opposite side view thereof;

FIG. 6 is a top view thereof; and,

FIG. 7 is a bottom view thereof.

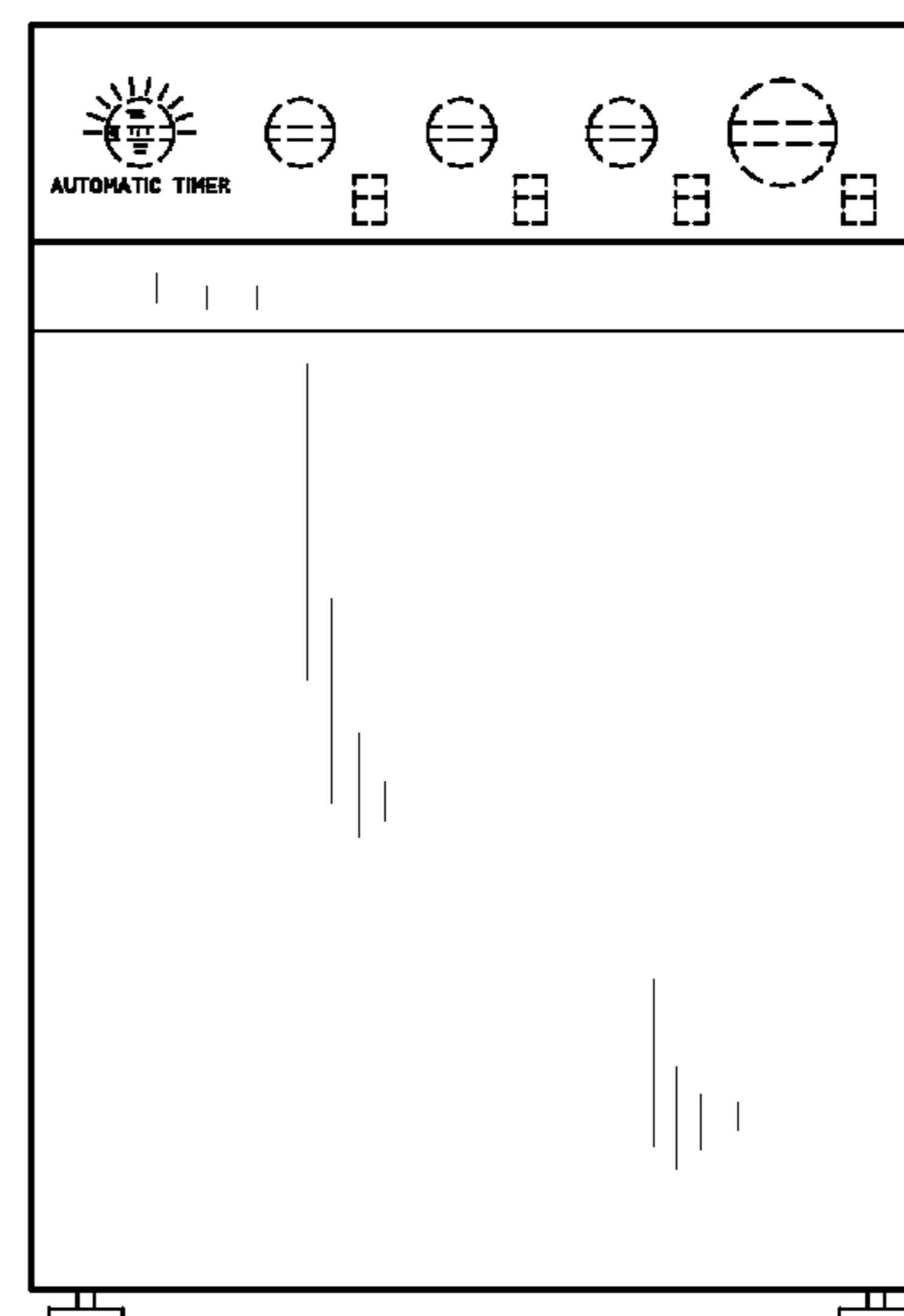
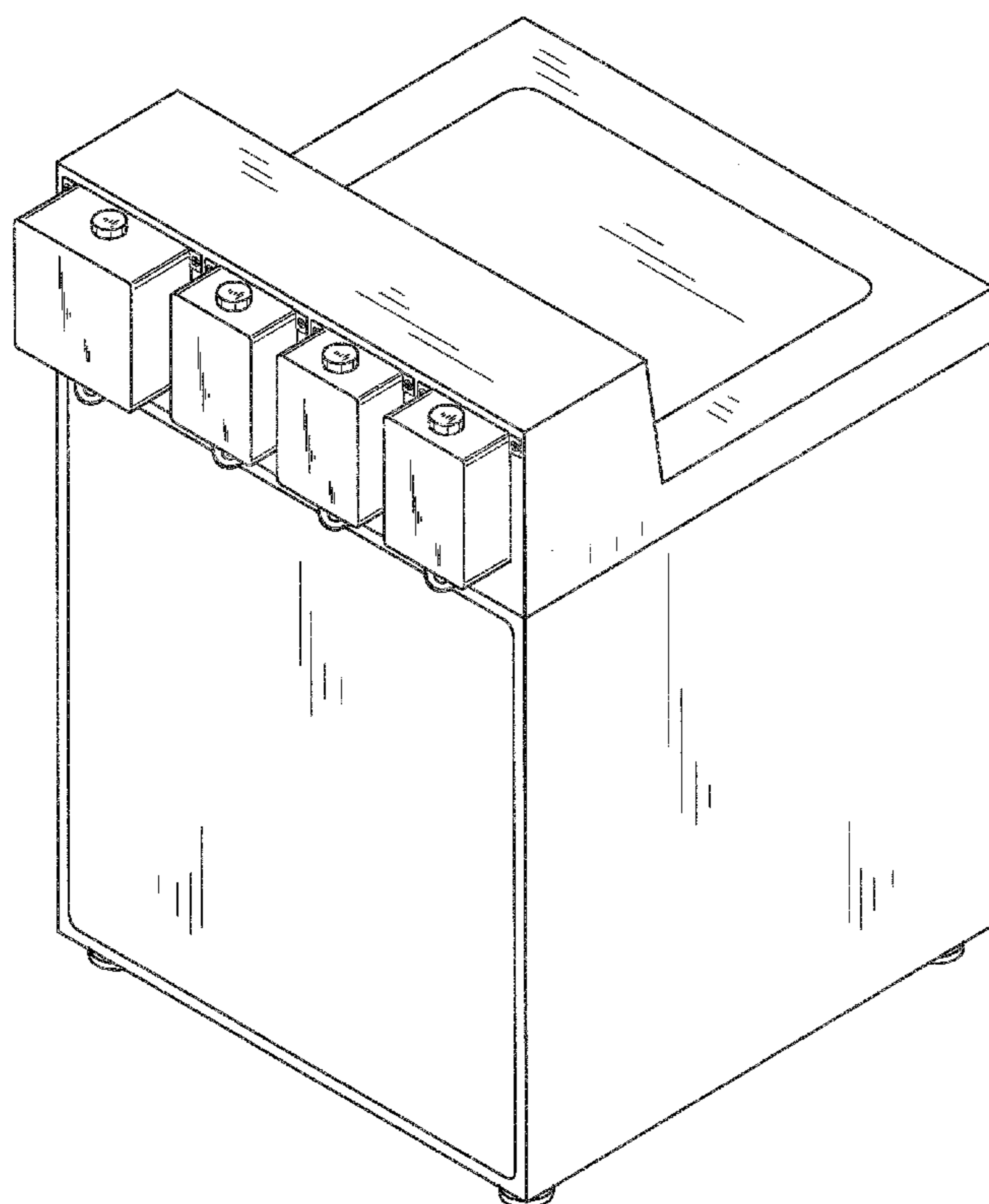
The broken line showing of circular front panel controls in FIGS. 2 and 6 is included for the purpose of showing environmental portions of the washing machine with timer and laundry-product dispensing containers and forms no part of the claimed design.

(56) **References Cited**

**U.S. PATENT DOCUMENTS**

3,826,113	A	7/1974	Noraas et al.	
3,922,048	A *	11/1975	Christianson et al. ....	312/284
3,982,666	A	9/1976	Kleimola et al.	
4,203,307	A	5/1980	Obata et al.	
D284,124	S	6/1986	Haruguchi et al.	
4,981,024	A	1/1991	Beldham	
D344,166	S	2/1994	Jones	
5,870,906	A	2/1999	Denisar	
7,481,081	B2 *	1/2009	Hsu et al. ....	68/17 R
7,654,119	B2 *	2/2010	Song .....	68/17 R

**1 Claim, 4 Drawing Sheets**



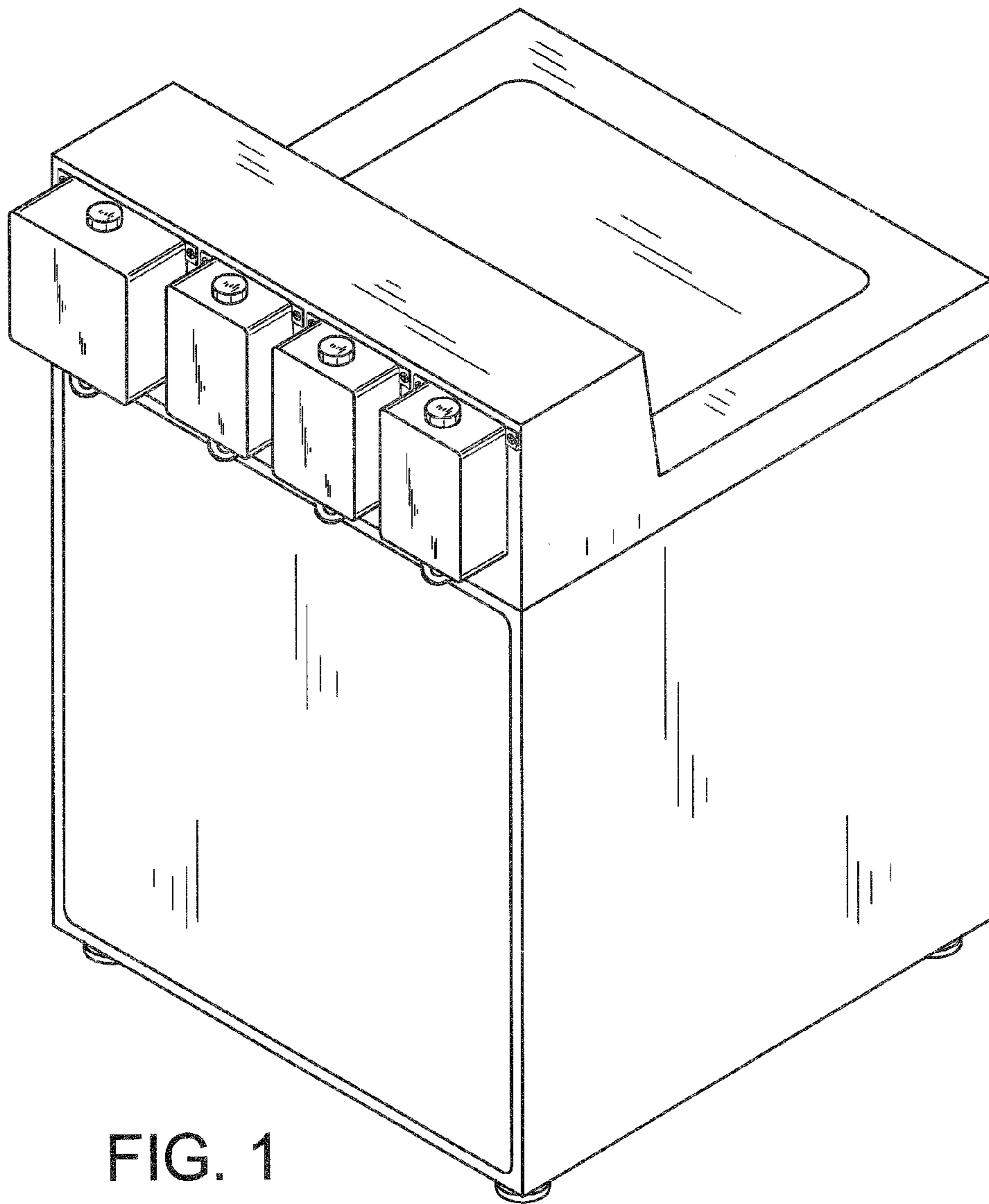


FIG. 1

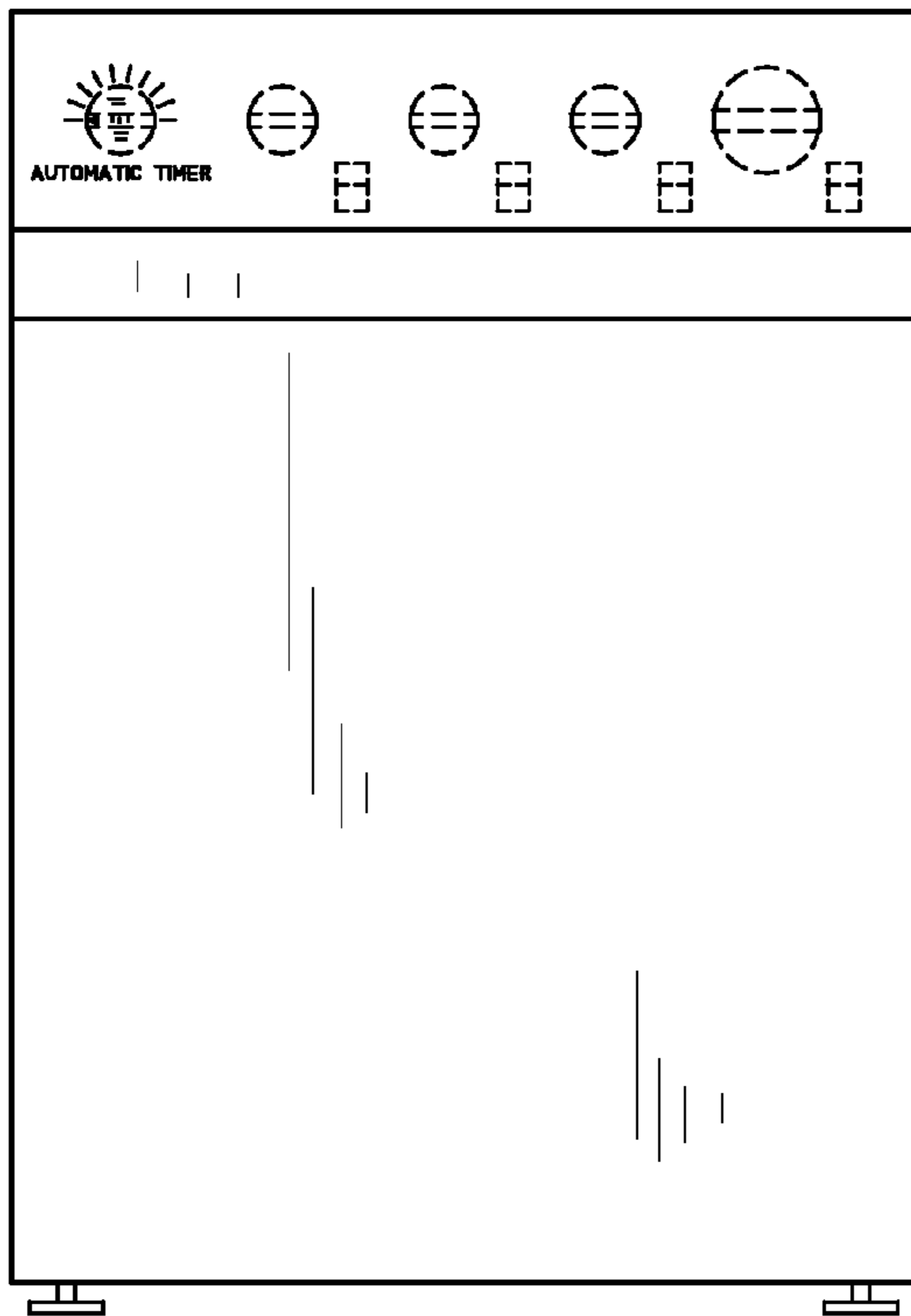


FIG. 2

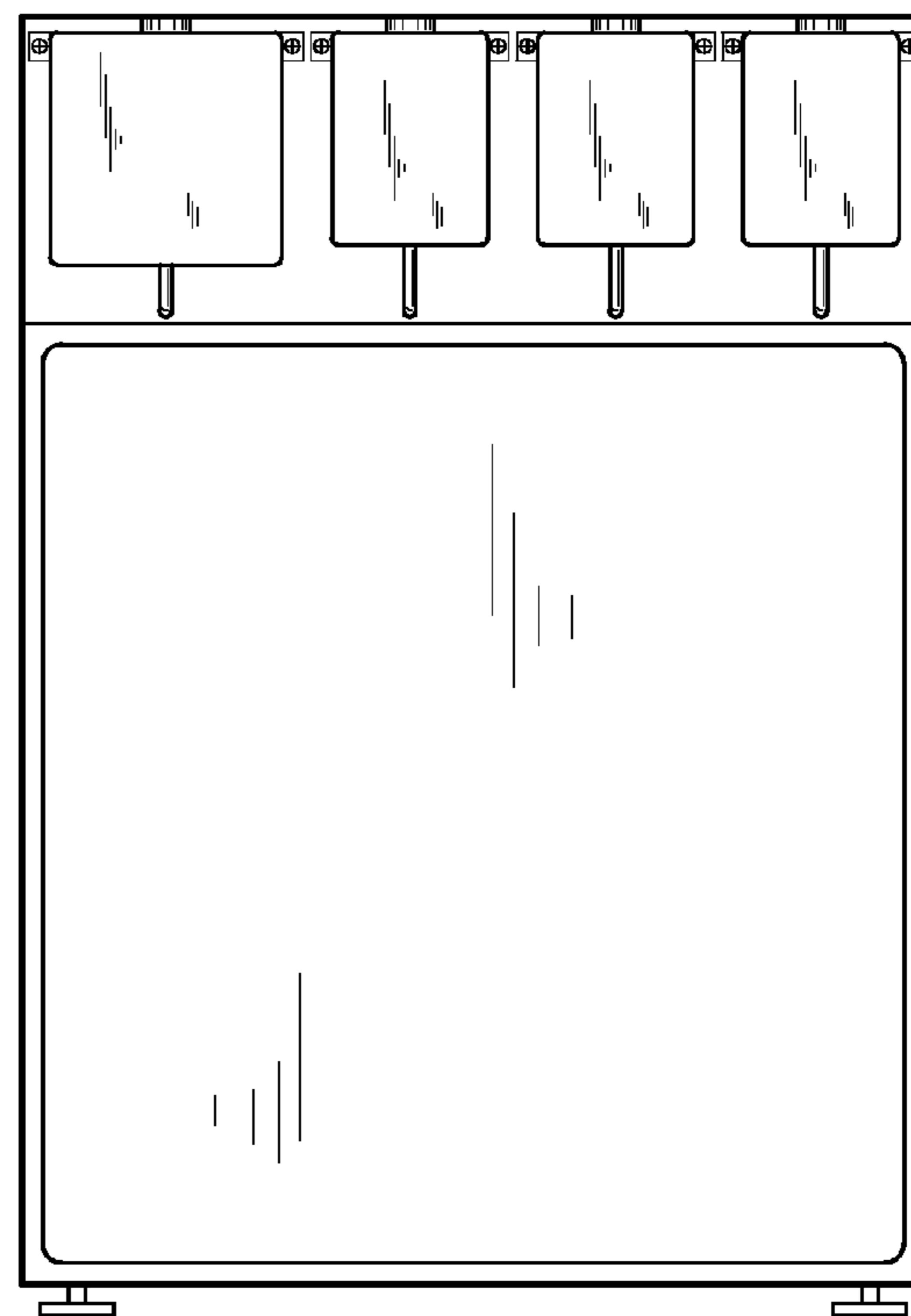


FIG. 3

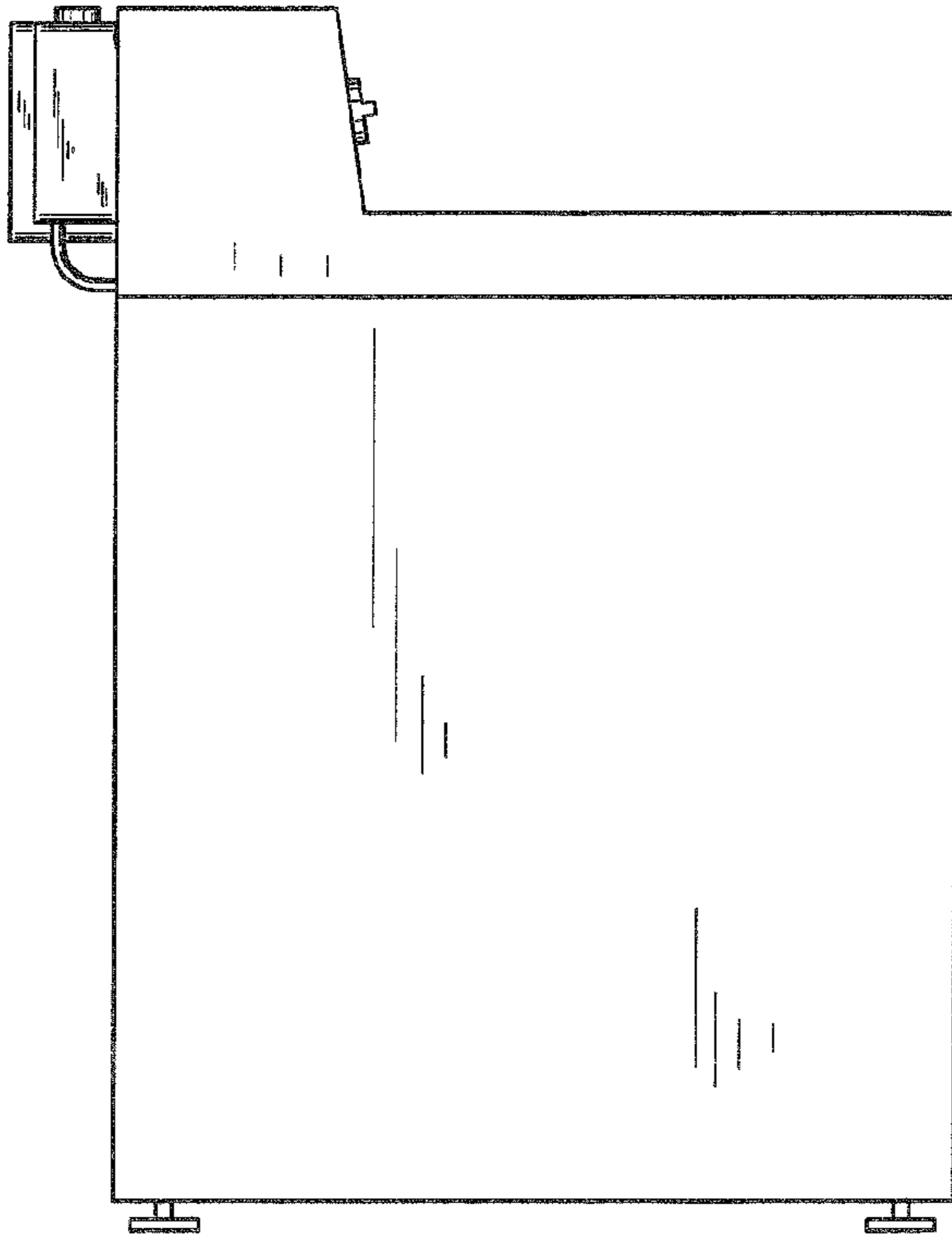


FIG. 4

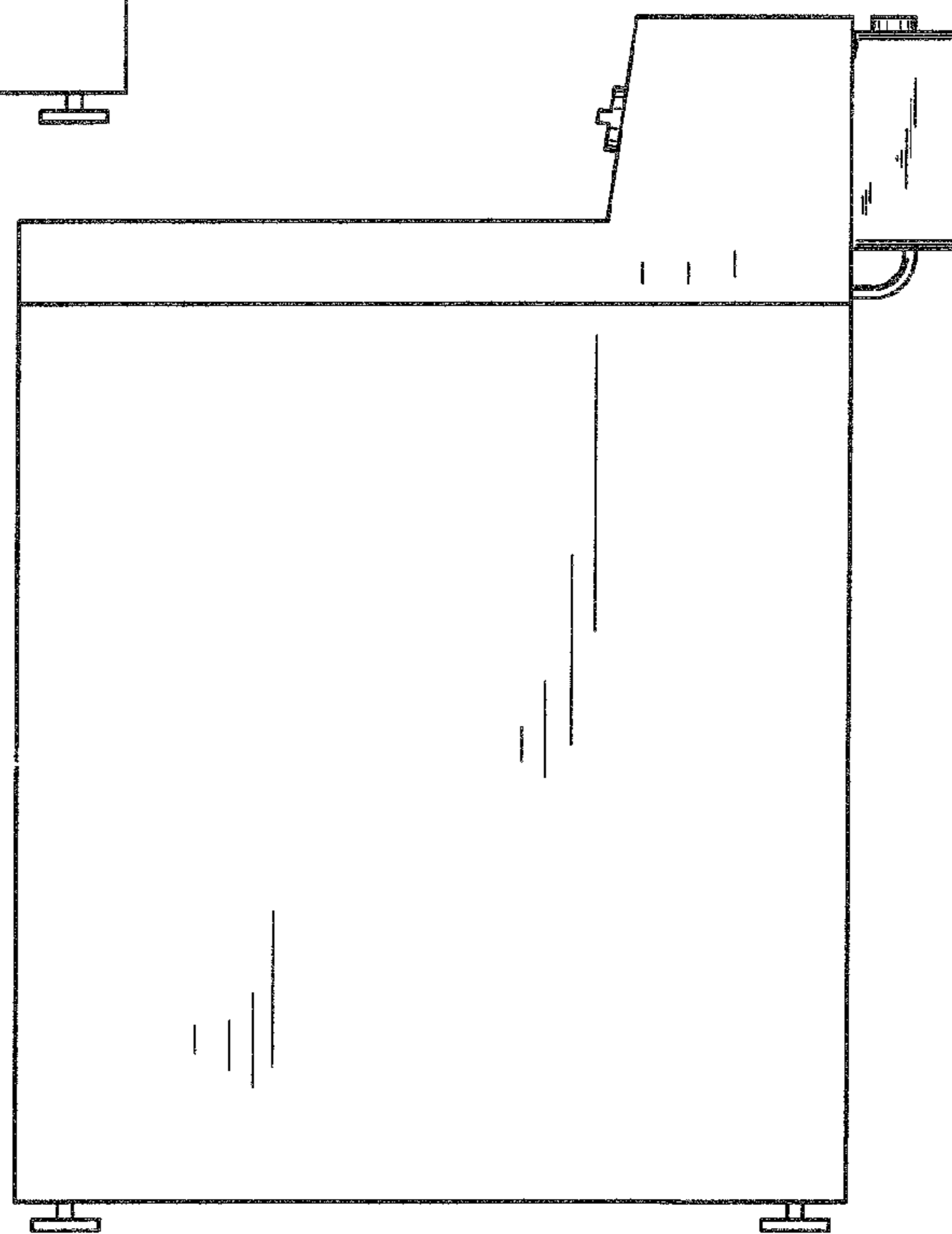


FIG. 5

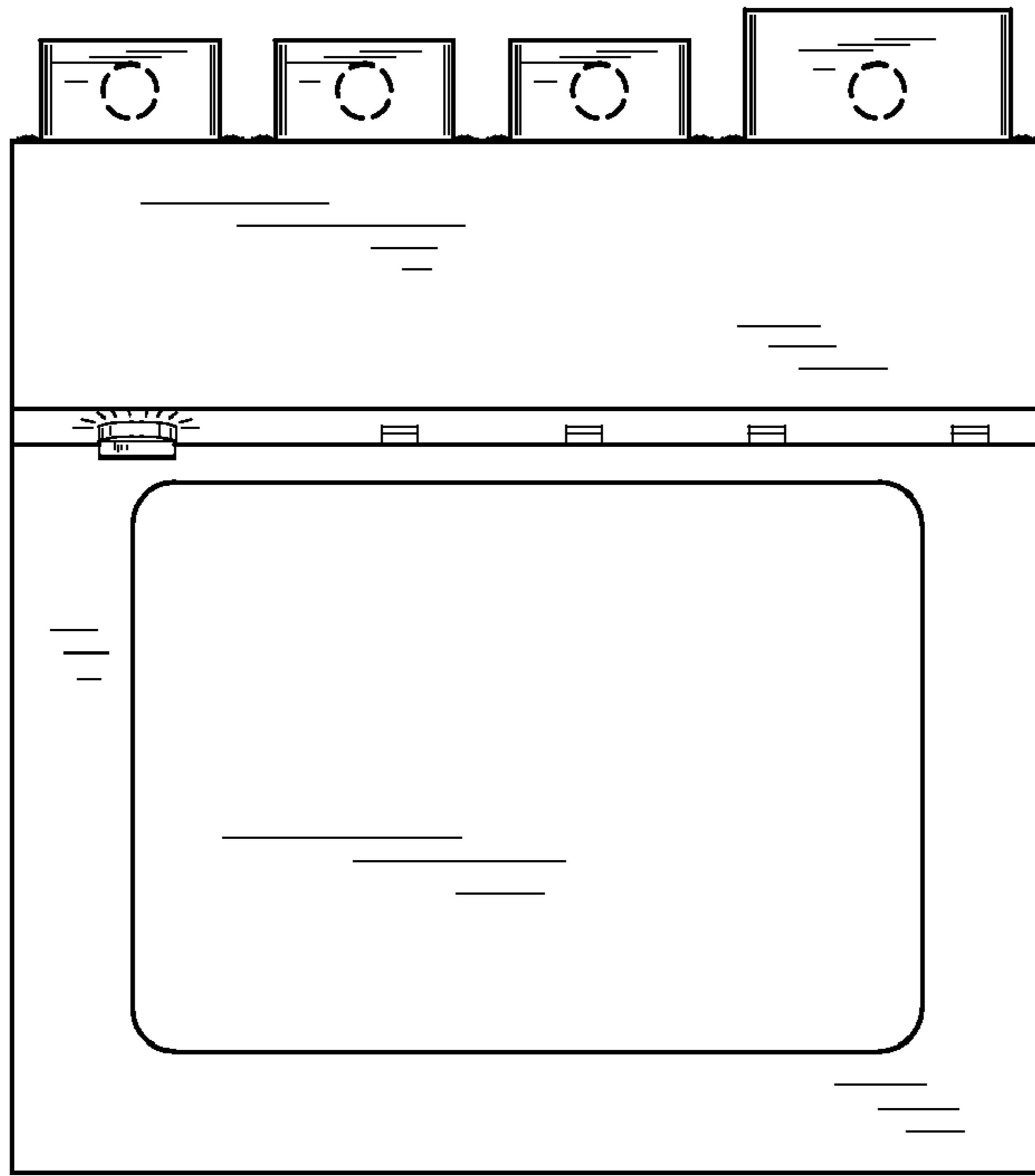


FIG. 6

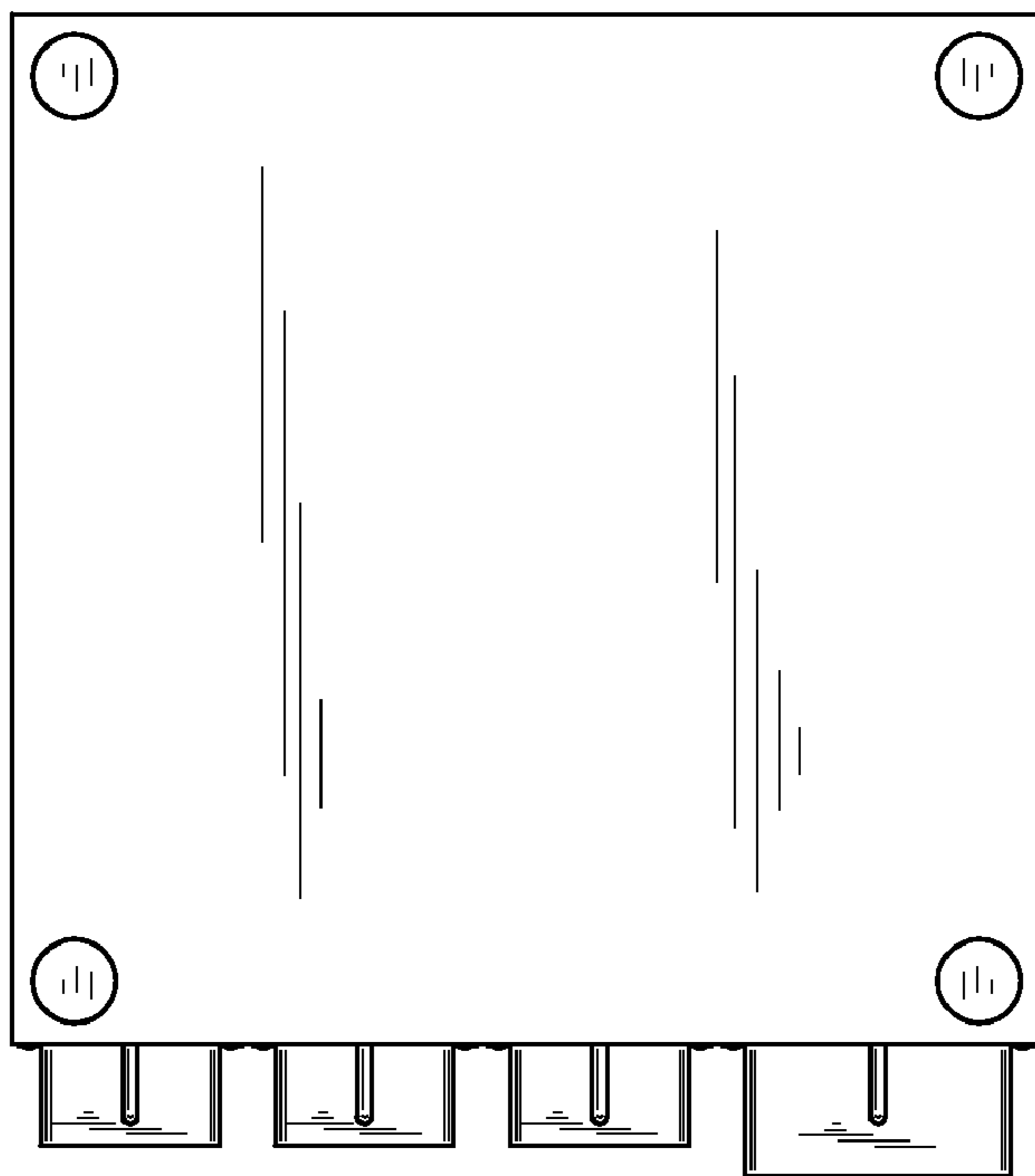


FIG. 7