



US00D624245S

(12) **United States Design Patent**
Willows et al.

(10) **Patent No.:** **US D624,245 S**
(45) **Date of Patent:** **** Sep. 21, 2010**

(54) **TORSO/WAIST SLING**

5,477,998 A * 12/1995 Reckler 224/586

(76) Inventors: **Keith Willows**, 1823 12th Ave. W.,
Seattle, WA (US) 98119; **June Angus**,
1823 12th Ave. W., Seattle, WA (US)
98119; **Antonio del Rosario**, 31525 10th
Ave. S., Federal Way, WA (US) 98003

(Continued)

FOREIGN PATENT DOCUMENTS

WO WO 3096830 A1 * 11/2003
Primary Examiner—Lucy Lieberman

(**) Term: **14 Years**

(57) **CLAIM**

(21) Appl. No.: **29/232,829**

The ornamental design for a “torso/waist sling,” as shown and described.

(22) Filed: **Jun. 24, 2005**

DESCRIPTION

Related U.S. Application Data

(63) Continuation-in-part of application No. 29/188,887,
filed on Aug. 26, 2003.

FIG. 1 is a front elevation of a torso/waist sling showing a first embodiment of our new design;

(51) **LOC (9) Cl.** **02-02**

FIG. 2 is a rear elevation thereof;

(52) **U.S. Cl.** **D29/101.2; D29/101.3**

FIG. 3 is a top plan view thereof;

(58) **Field of Classification Search** .. D29/101.1–101.5,
D29/100, 122; D2/626, 628, 629, 829; D3/215,
D3/218; D24/190; 359/519; D10/111; 224/576,
224/606, 646, 259, 640, 603, 623, 627, 647
See application file for complete search history.

FIG. 4 is a bottom plan view thereof;

FIG. 5 is a side elevation thereof, the opposite side elevation is a mirror image of FIG. 5;

FIG. 6 is a perspective view thereof;

(56) **References Cited**

U.S. PATENT DOCUMENTS

630,157 A * 8/1899 Worth 2/102
1,310,958 A * 7/1919 O'Connor 297/484
2,643,803 A * 6/1953 Bates 224/254
3,053,230 A * 9/1962 Klickstein et. al. 119/857
3,089,143 A * 5/1963 Jacobson 2/1
3,901,579 A * 8/1975 Demerest 359/519
D248,596 S * 7/1978 Neyman D29/101.1
4,479,267 A * 10/1984 Radowsky, Jr. 2/337
4,601,538 A * 7/1986 Valkenburg 359/519
4,653,853 A * 3/1987 Bedford 359/519
4,764,962 A * 8/1988 Ekman et al. 381/301
D342,348 S * 12/1993 Panarelli D29/101.1
D346,482 S * 5/1994 Merrill D2/627
D364,270 S * 11/1995 Kellerman D3/218

FIG. 7 is a front elevation of a second embodiment of the torso/waist sling;

FIG. 8 is a rear elevation of the second embodiment;

FIG. 9 is a top plan view of the second embodiment;

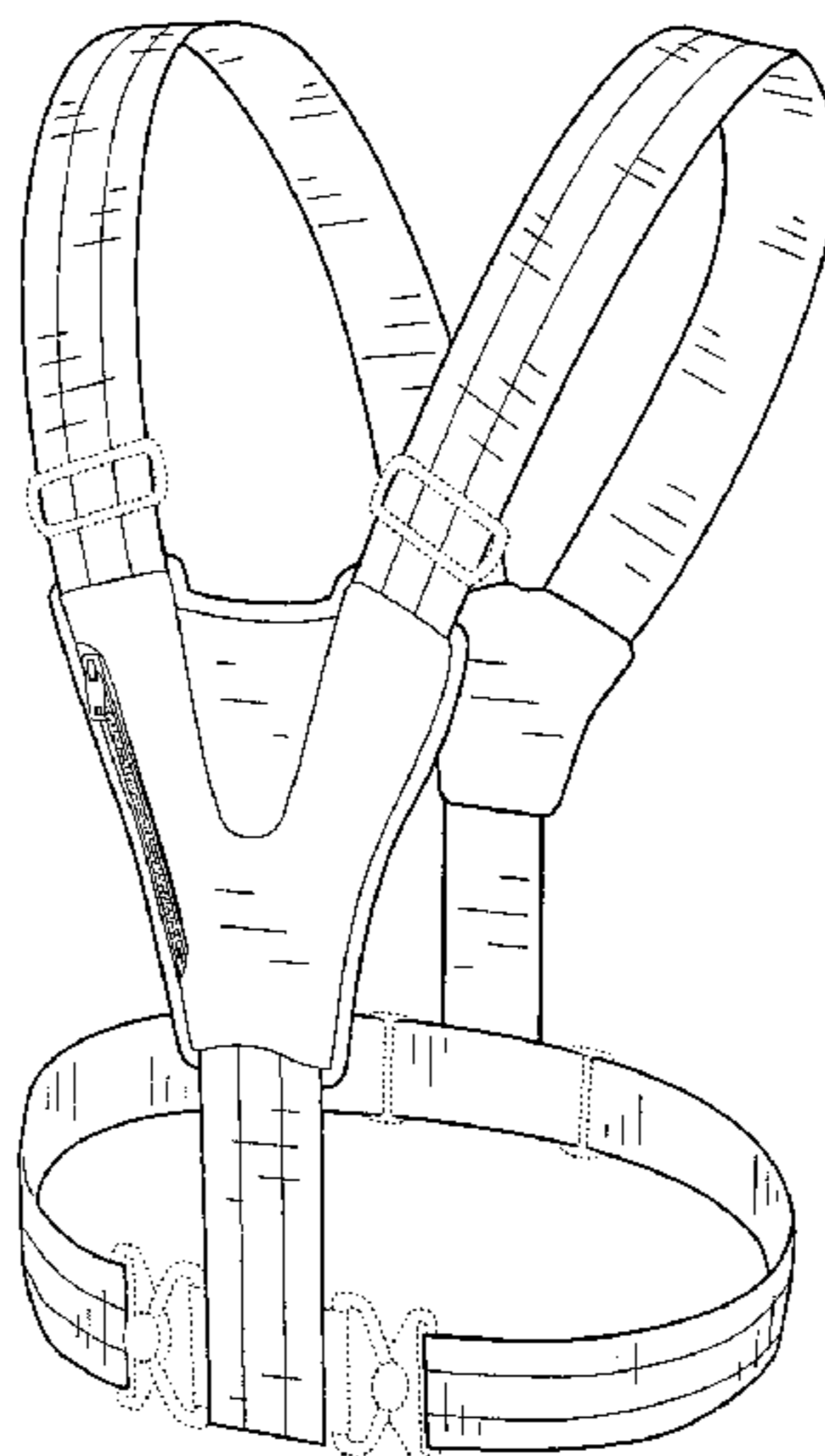
FIG. 10 is a bottom plan view of the second embodiment;

FIG. 11 is a side elevation of the second embodiment, the opposite side is a mirror image of FIG. 11; and,

FIG. 12 is a front elevation of a third embodiment of the torso/waist sling, the appearance of the rear, top, bottom and sides of the third embodiment are the same as the first embodiment.

The broken lines in the drawings are for illustrative purposes only and form no part of the claimed design. Some of the views are shown drawn on different scales.

1 Claim, 6 Drawing Sheets



US D624,245 S

Page 2

U.S. PATENT DOCUMENTS

5,624,065	A *	4/1997	Steffe	224/625	6,345,751	B1 *	2/2002	Elliot	224/646
D387,499	S *	12/1997	Schmidt	D29/101.1	6,527,082	B1 *	3/2003	Taylor	182/3
D422,931	S *	4/2000	Agnew	D10/111	6,626,131	B2 *	9/2003	Moulton, III	119/770
D427,380	S *	6/2000	Robertson	D29/101.1	D509,627	S *	9/2005	Willows et al.	D29/101.2
D435,168	S *	12/2000	Momburg	D3/215	D512,535	S *	12/2005	Willows et al.	D29/122
						2002/0181104	A1 *	12/2002	Gonzales	359/517

* cited by examiner

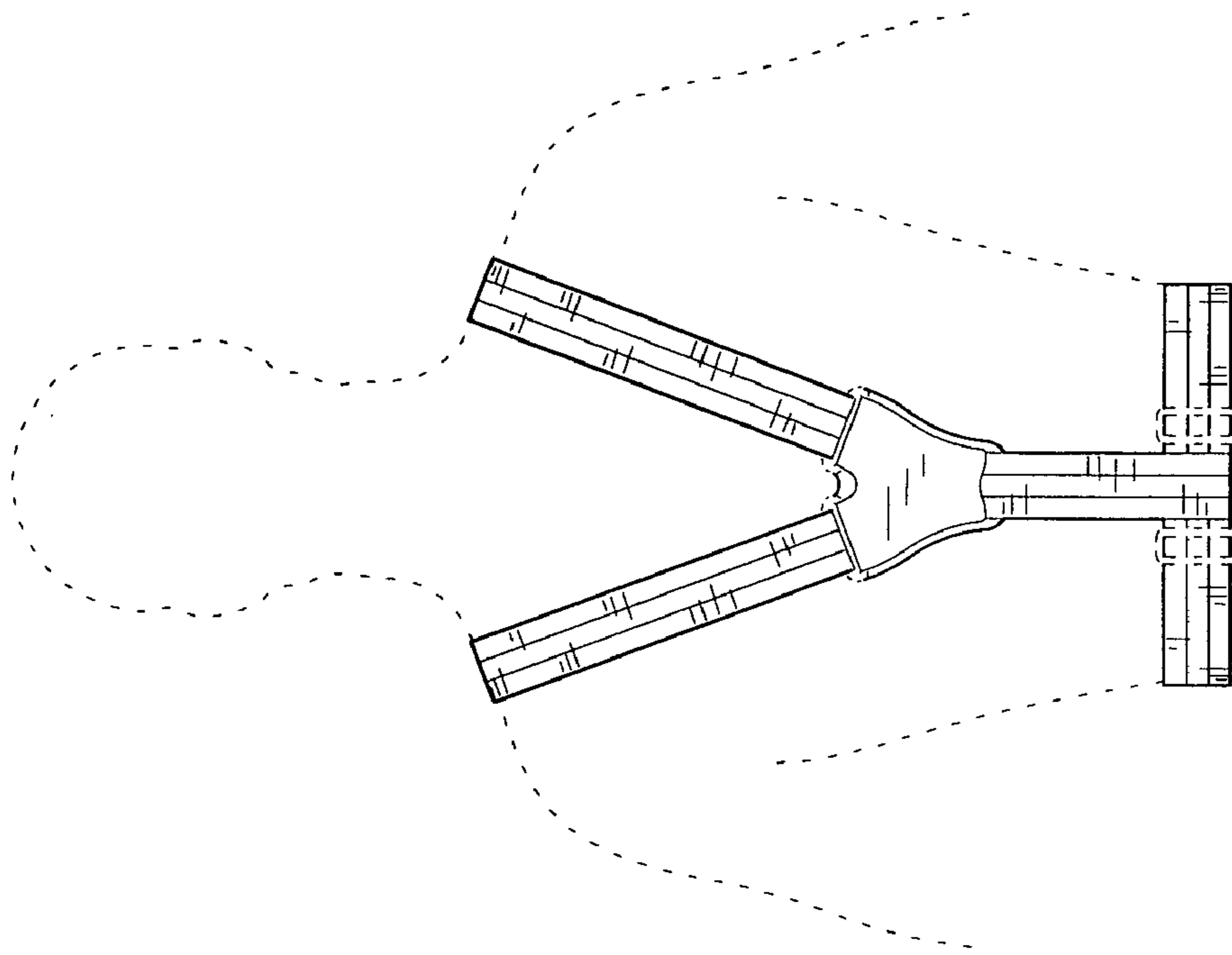


FIG. 2

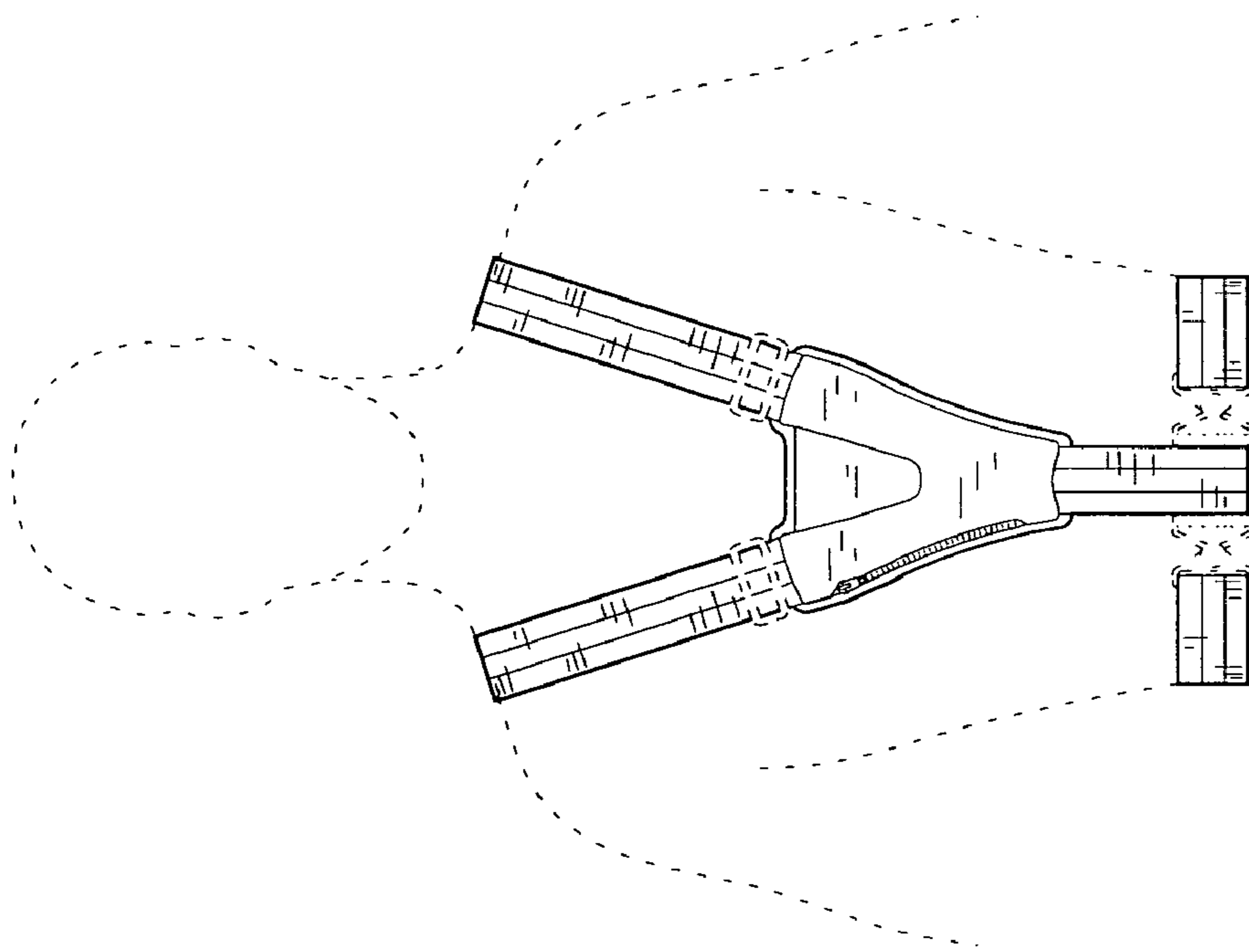


FIG. 1

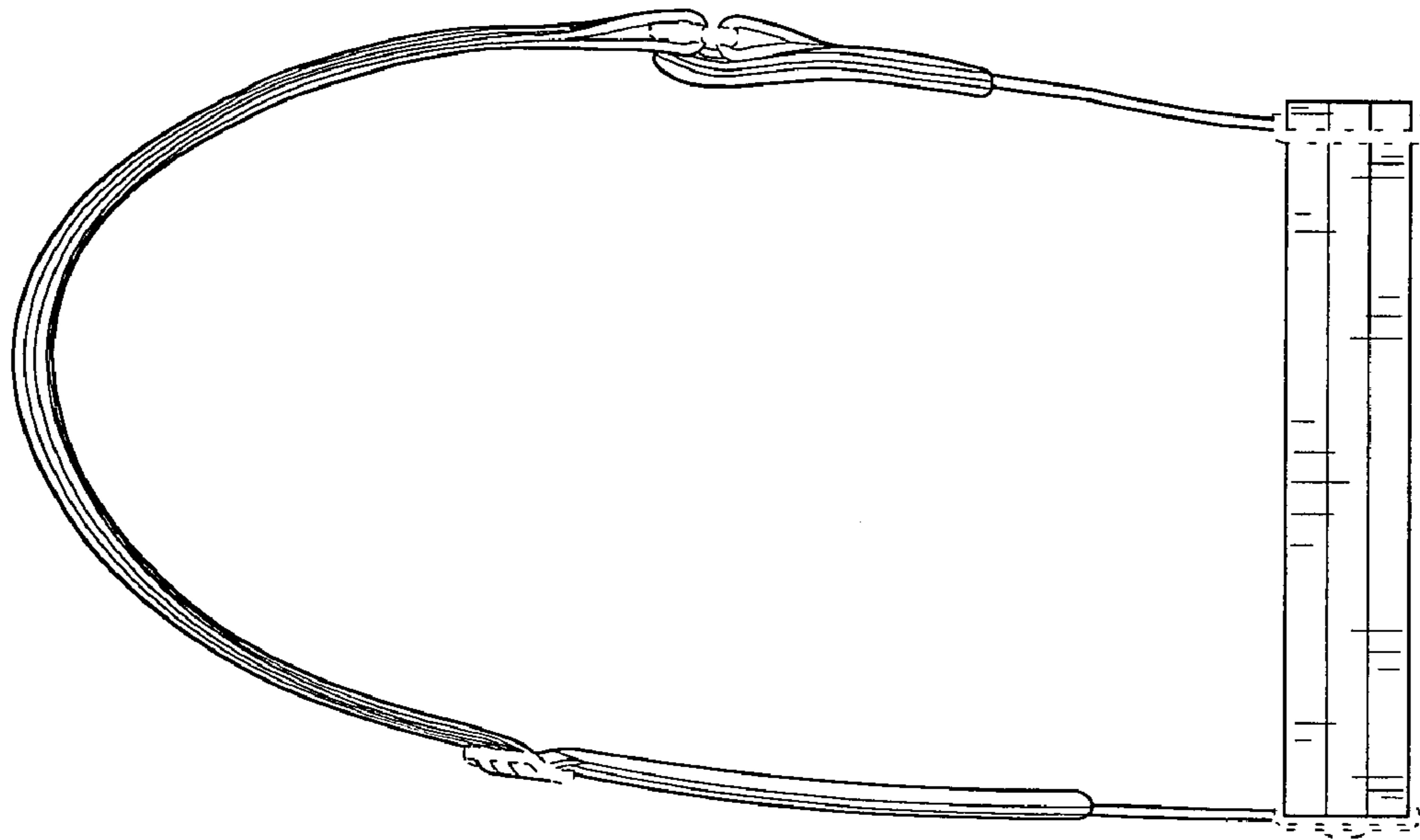


FIG. 5

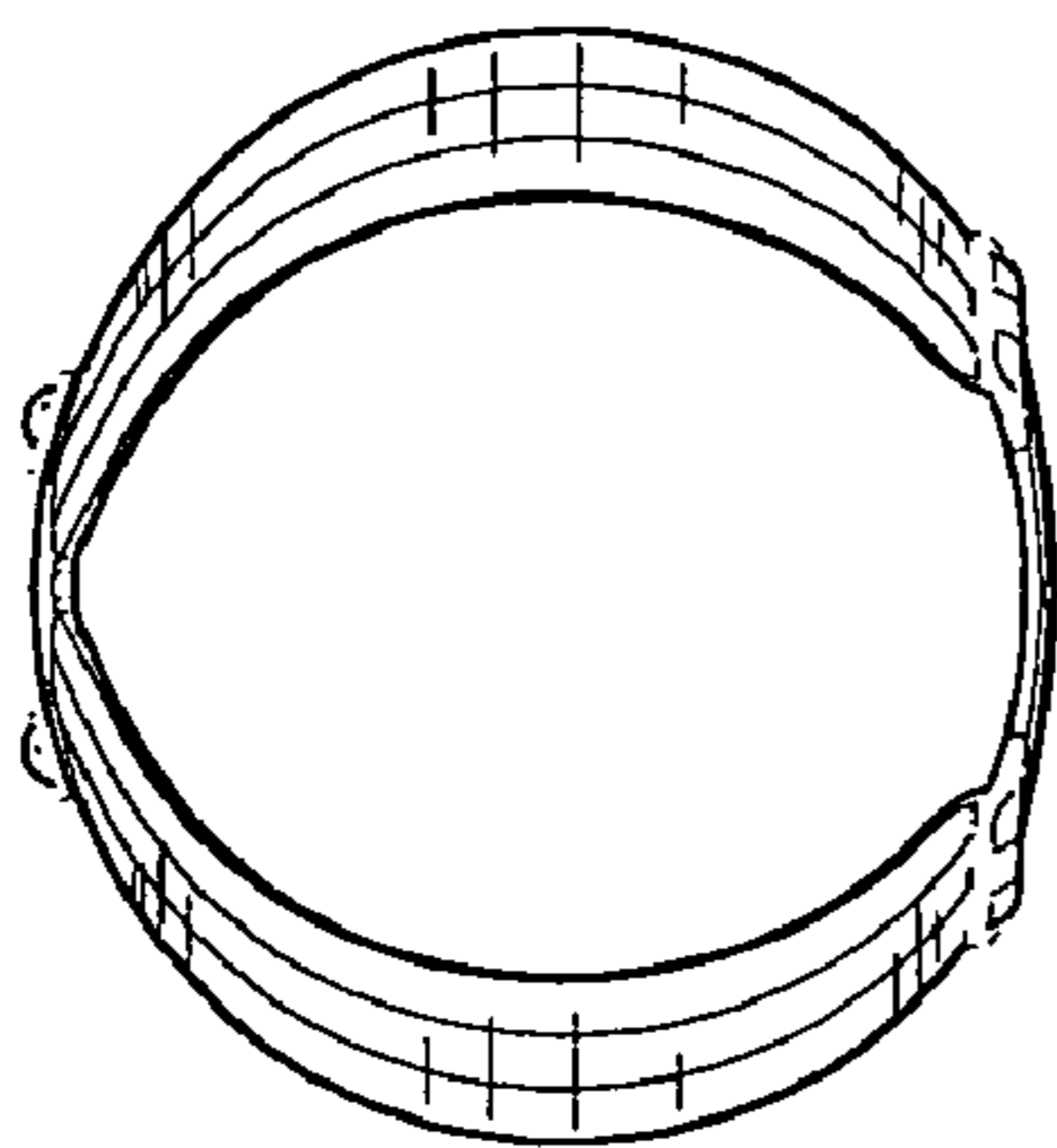


FIG. 3

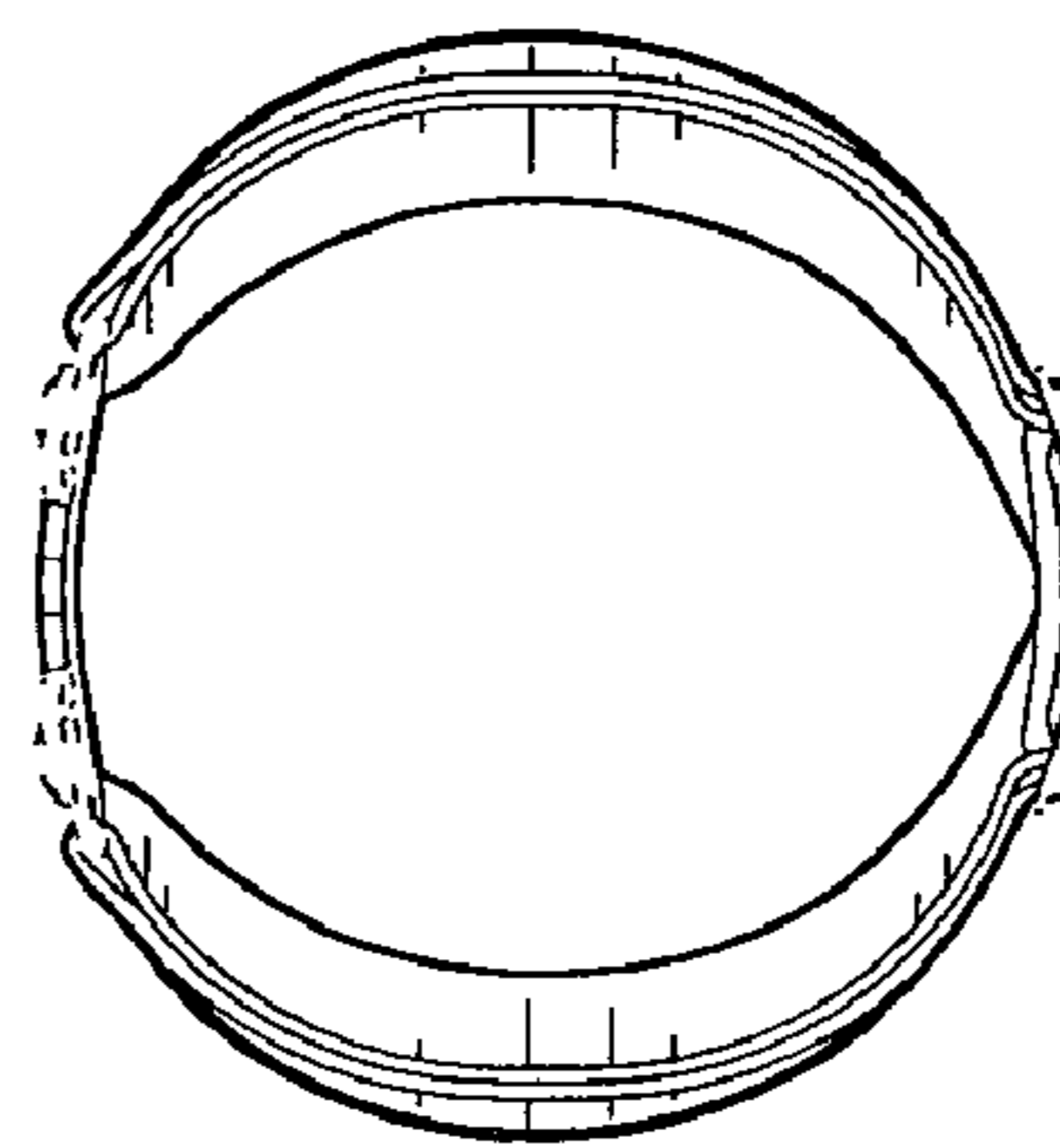


FIG. 4

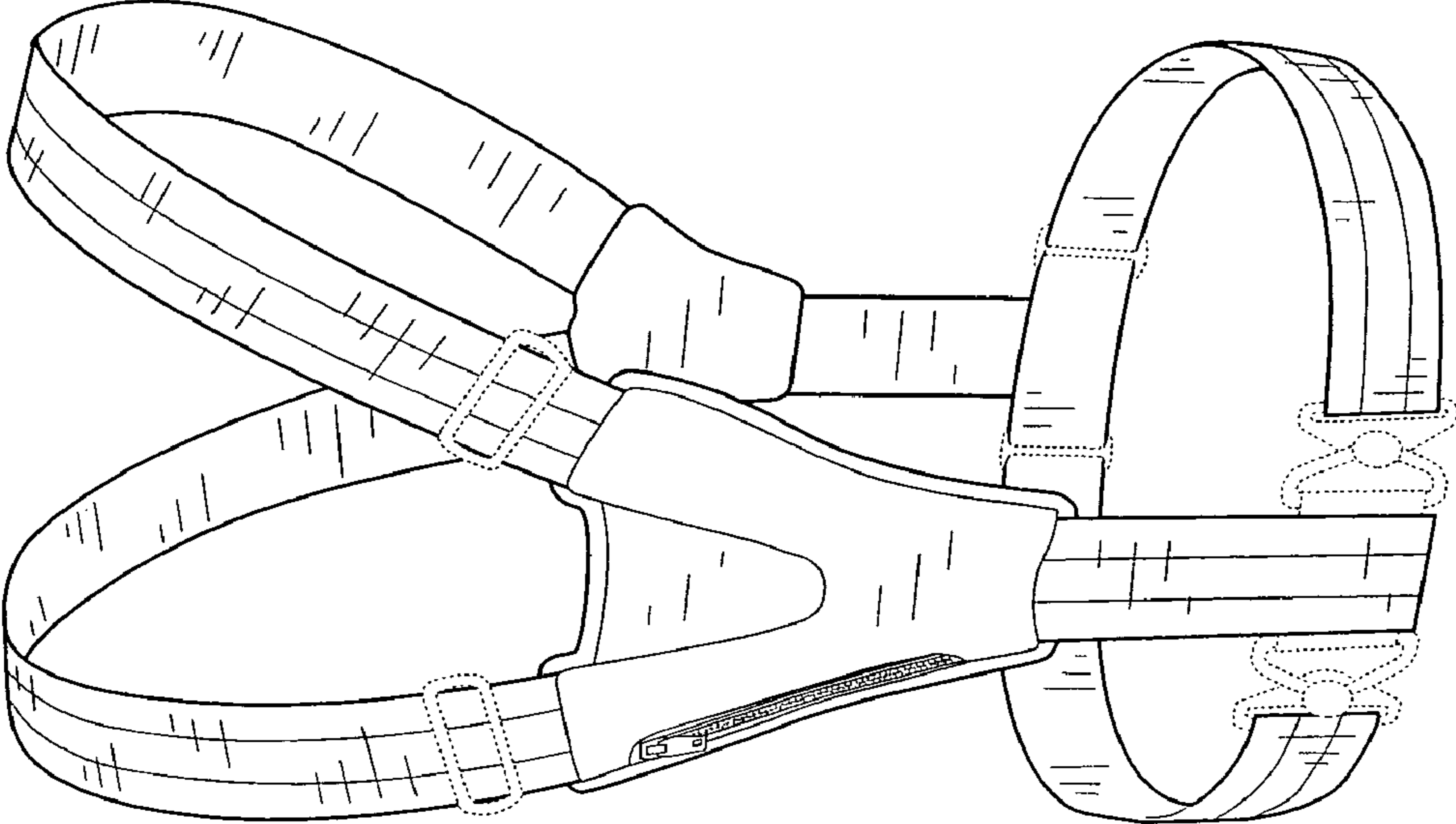


FIG. 6

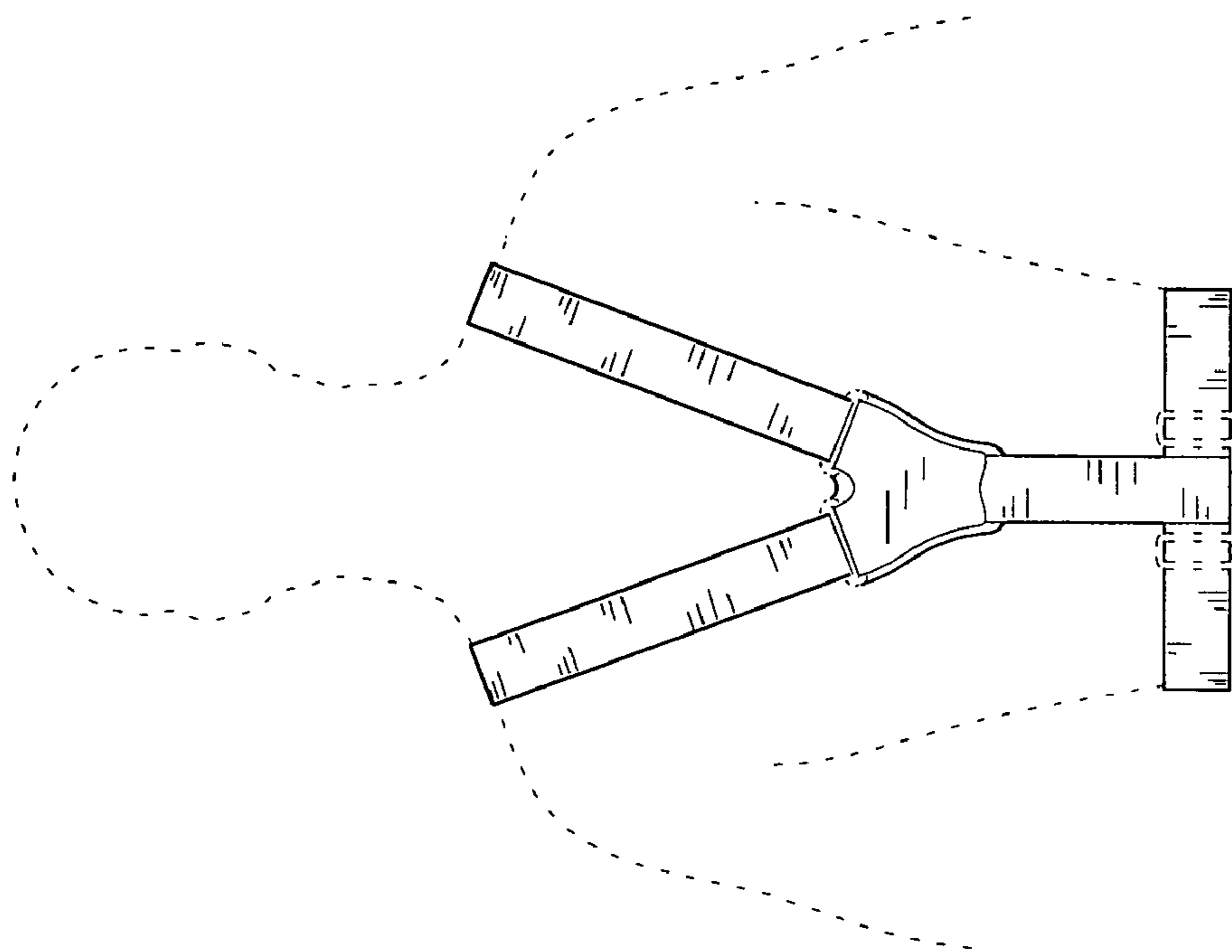


FIG. 8

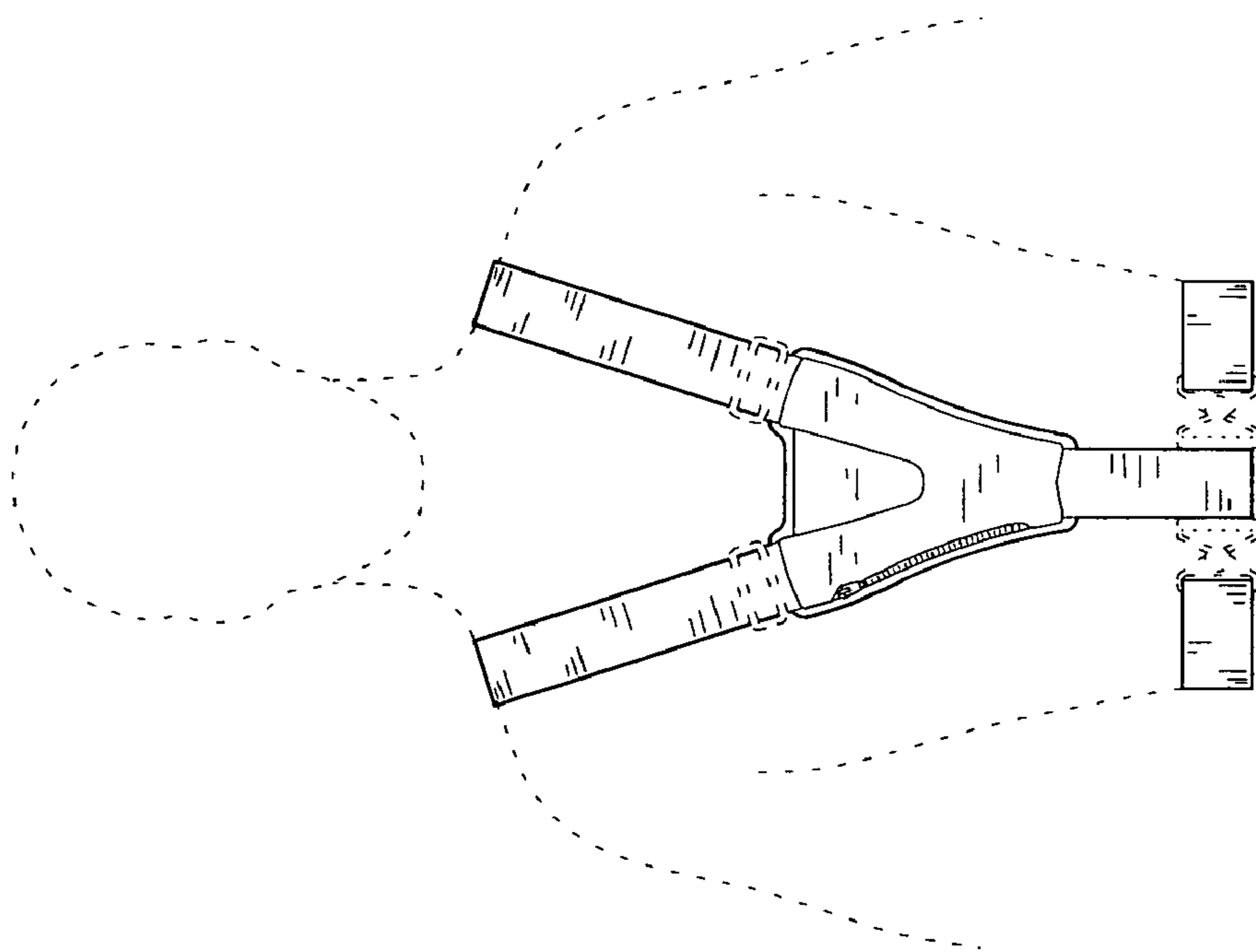


FIG. 7

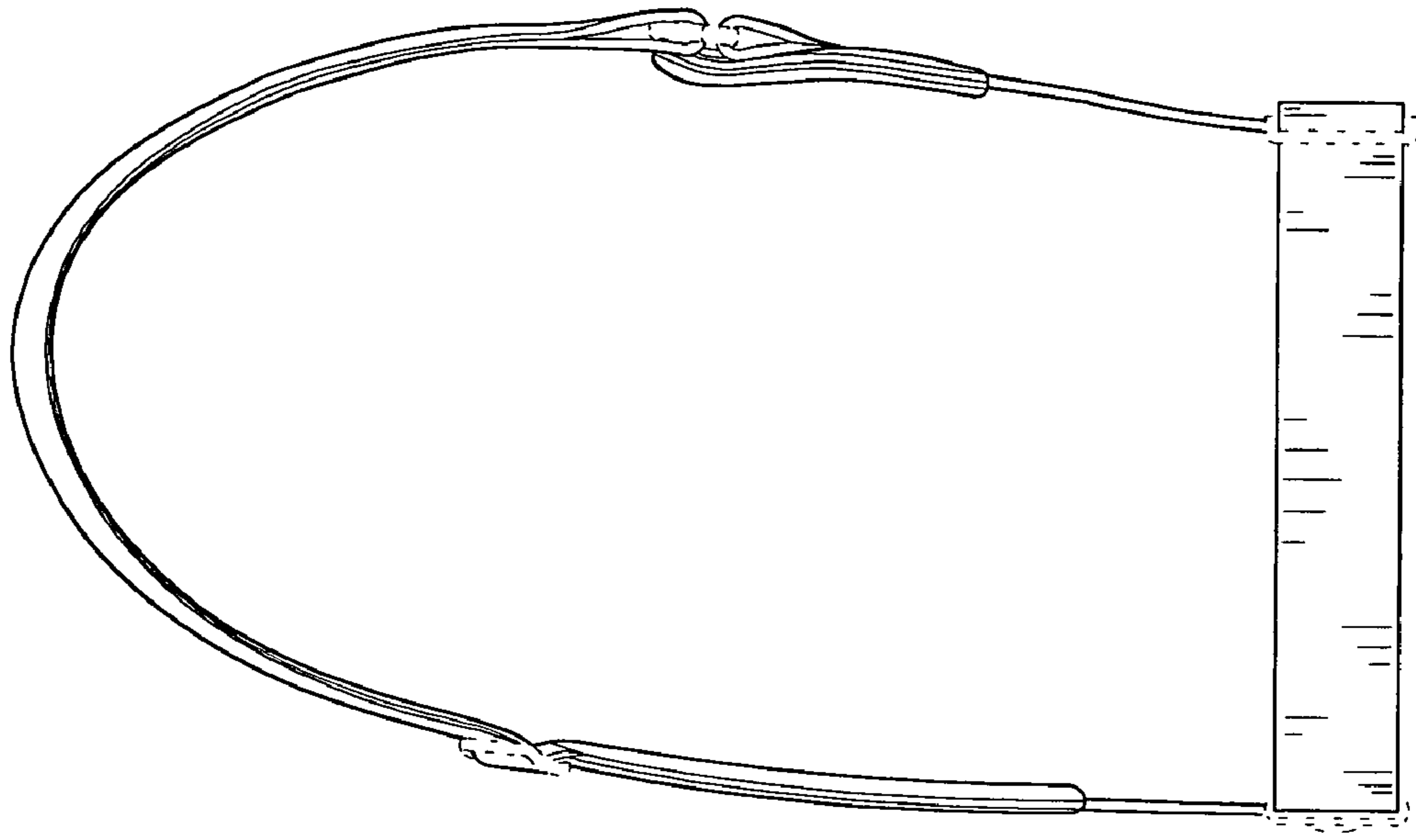


FIG. 11

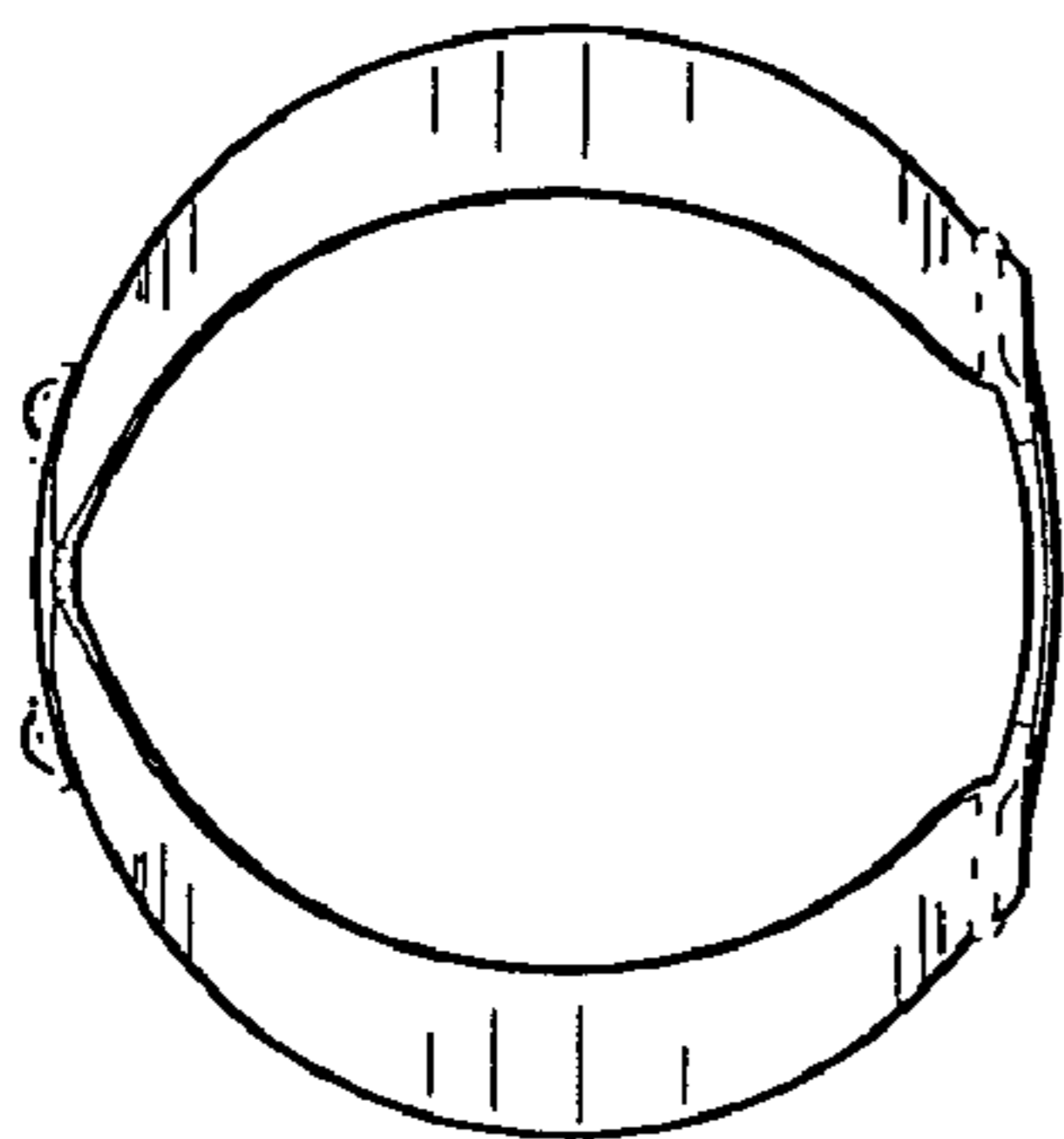


FIG. 9

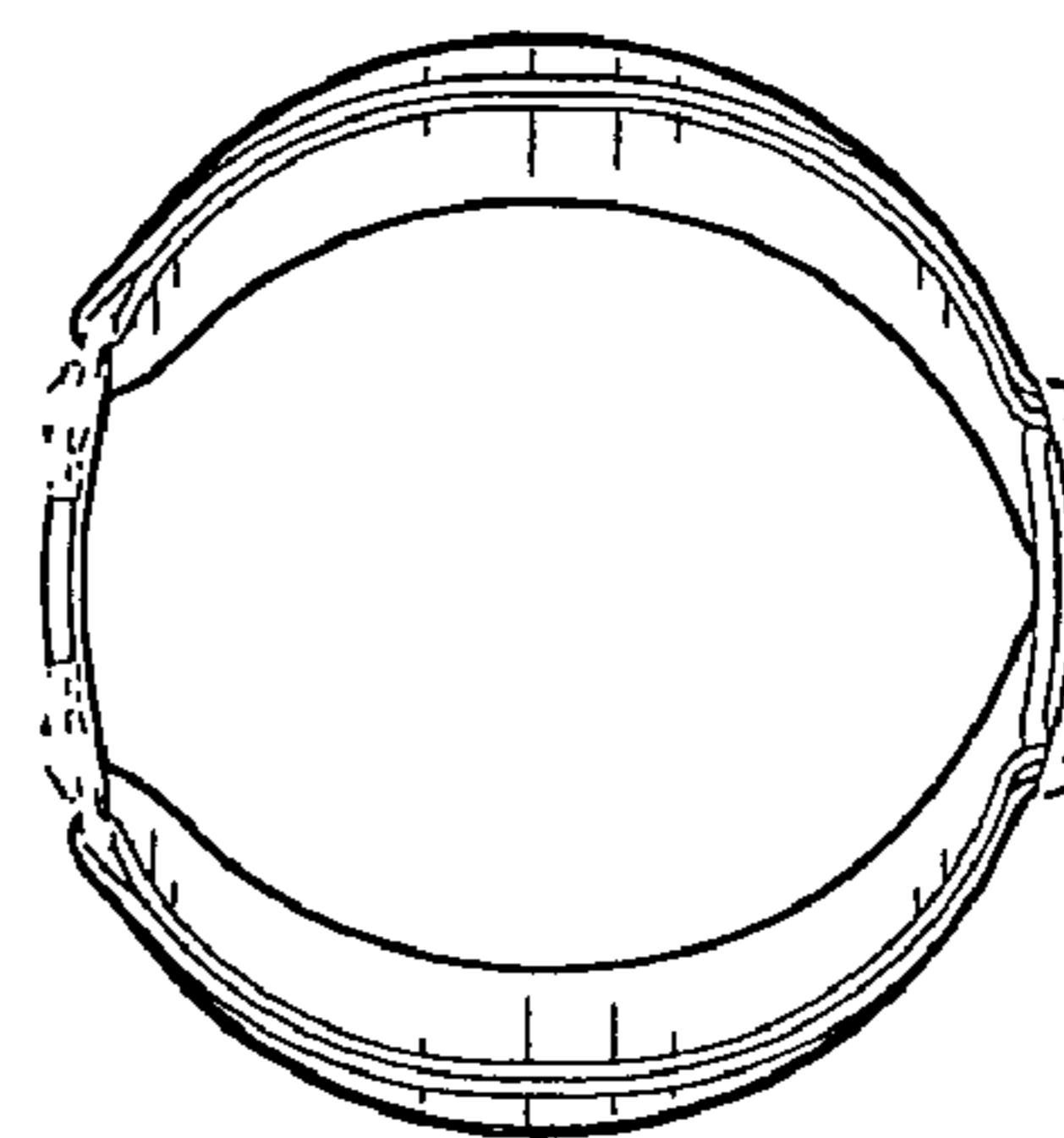


FIG. 10

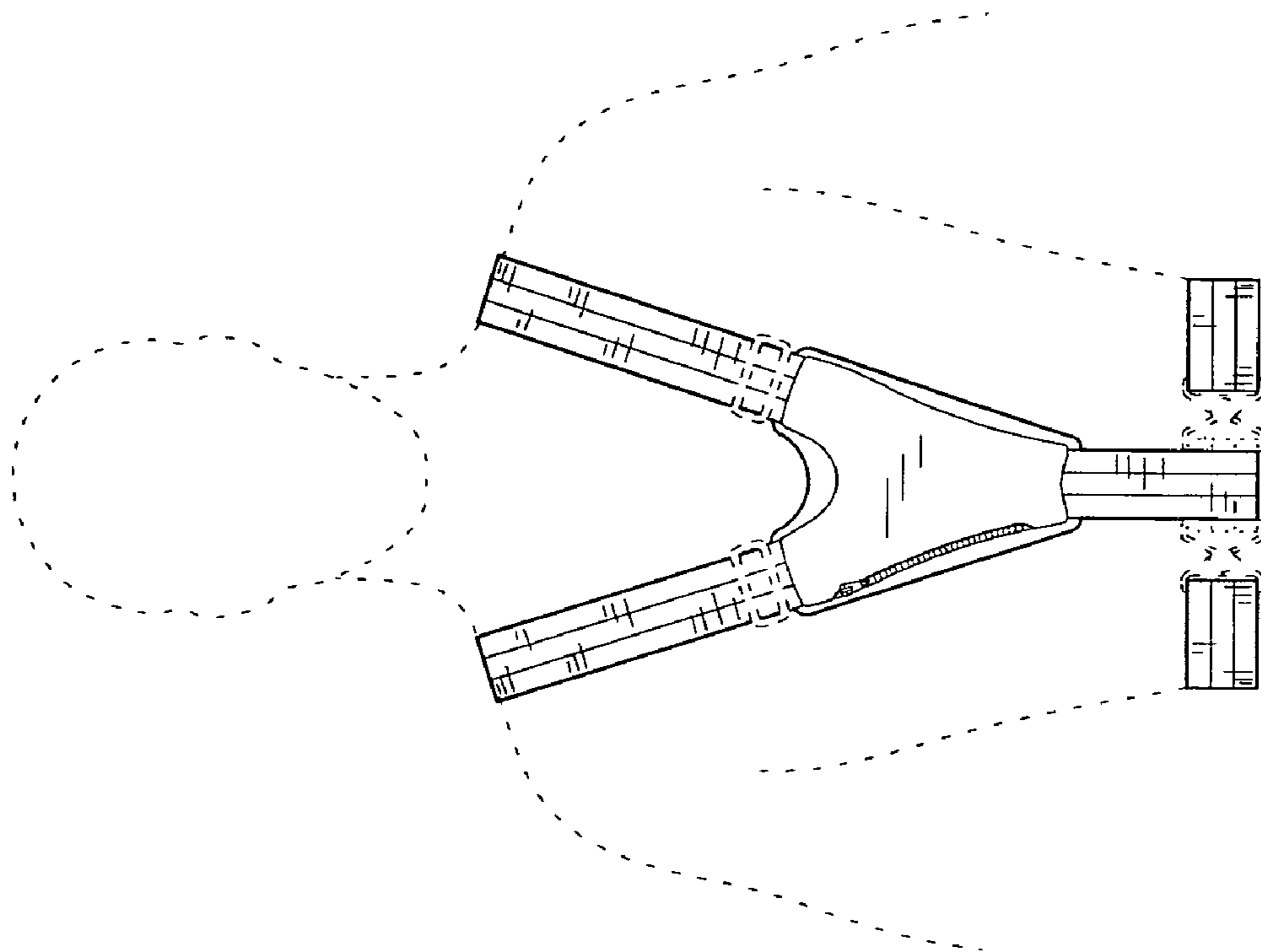


FIG. 12