



US00D624243S

(12) **United States Design Patent**  
**Rhoad**

(10) **Patent No.:** **US D624,243 S**

(45) **Date of Patent:** **\*\* Sep. 21, 2010**

(54) **SAFETY RAZOR BUTTON**

D604,012 S \* 11/2009 Jung ..... D28/46

(75) Inventor: **Wes Rhoad**, Hamden, CT (US)

\* cited by examiner

(73) Assignee: **Eveready Battery Company, Inc.**, St. Louis, MO (US)

*Primary Examiner*—Jennifer Rivard

(74) *Attorney, Agent, or Firm*—Energizer Personal Care, LLC.

(\*\*) Term: **14 Years**

(57) **CLAIM**

(21) Appl. No.: **29/359,306**

I claim the ornamental design for the safety razor button, as shown and described.

(22) Filed: **Apr. 8, 2010**

(51) **LOC (9) Cl.** ..... **28-03**

(52) **U.S. Cl.** ..... **D28/47**

(58) **Field of Classification Search** ..... D28/44–48;  
30/32, 34.05, 34.1–34.2, 41, 44–46, 47–51,  
30/57–58, 77–84, 526–539

See application file for complete search history.

**DESCRIPTION**

FIG. 1 is an upper perspective view of a safety razor button.

FIG. 2 is an upper view thereof.

FIG. 3 is a right view of FIG. 2.

FIG. 4 is a top view thereof.

FIG. 5 is a front view thereof.

FIG. 6 is a rear view thereof.

FIG. 7 is a bottom view thereof.

FIG. 8 is a left view of FIG. 4; and,

FIG. 9 is a right view of FIG. 4.

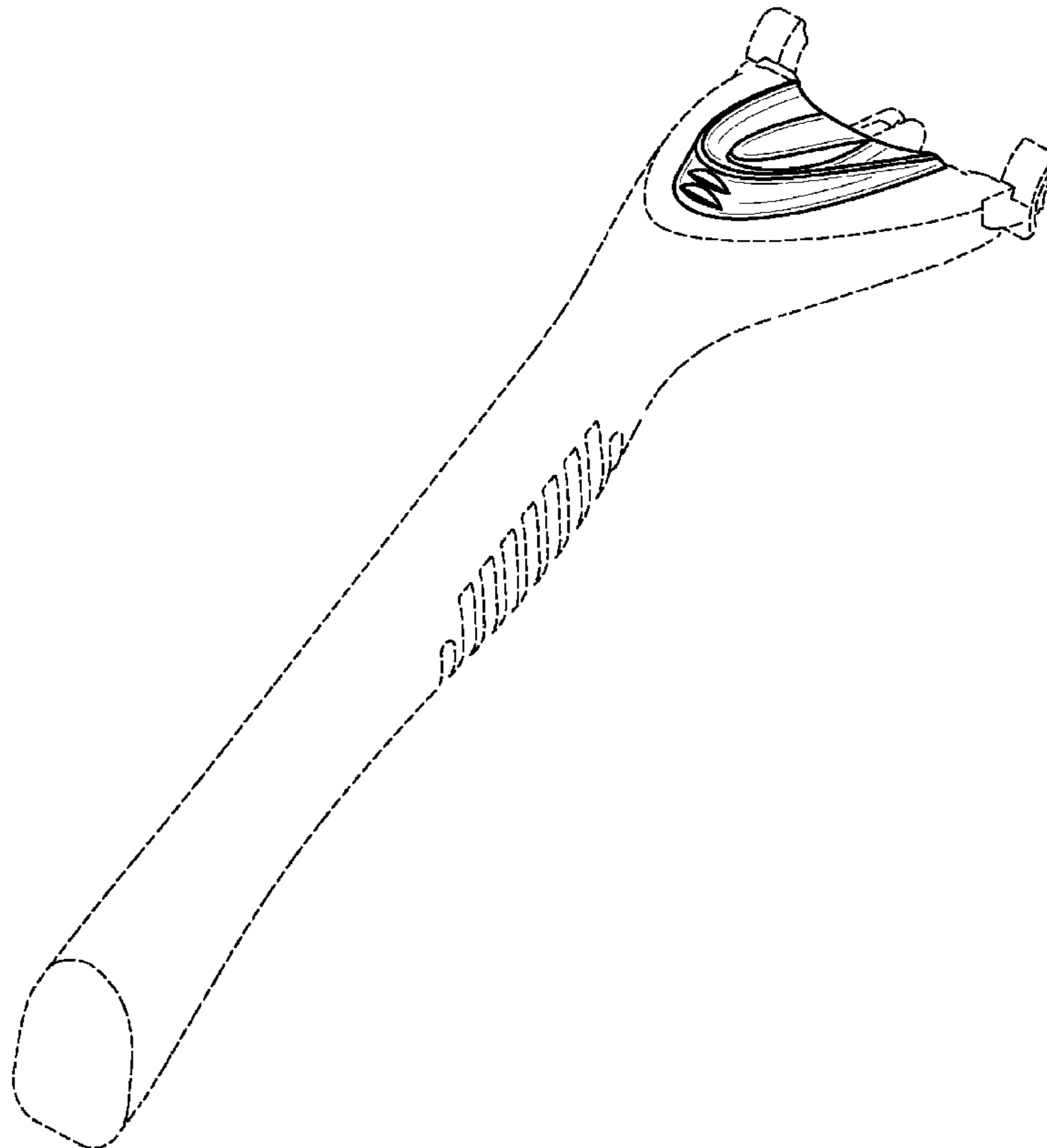
The broken lines in the figures depict environmental subject matter only and form no part of the claimed design.

(56) **References Cited**

**U.S. PATENT DOCUMENTS**

D421,320 S	2/2000	Coffin et al.	
D435,315 S	12/2000	Coffin et al.	
D536,830 S *	2/2007	Ramm et al. ....	D28/48
D558,923 S *	1/2008	Watson et al. ....	D28/48
D563,047 S *	2/2008	Ramm et al. ....	D28/48
D565,245 S *	3/2008	Wonderley ....	D28/46

**1 Claim, 5 Drawing Sheets**



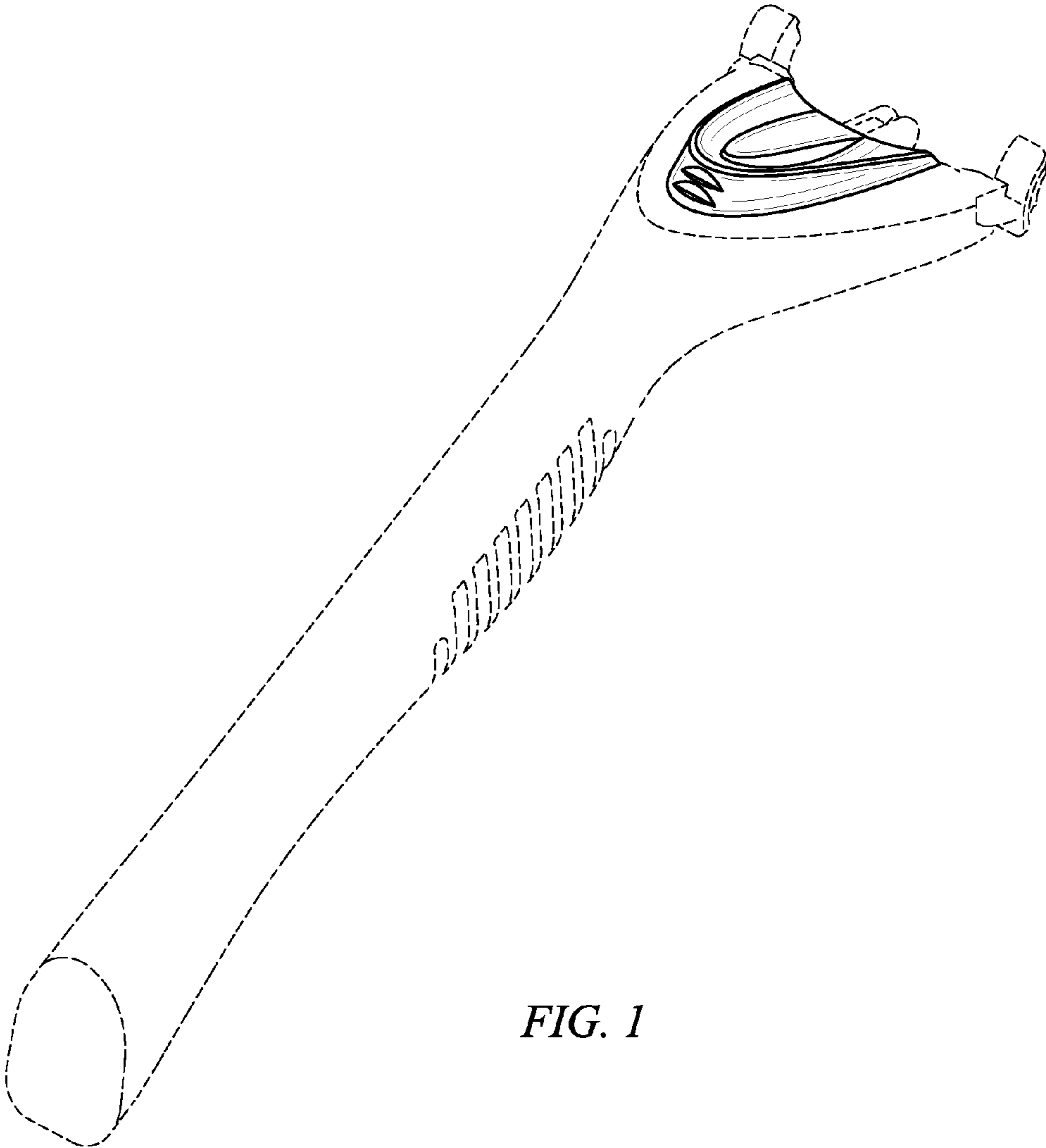
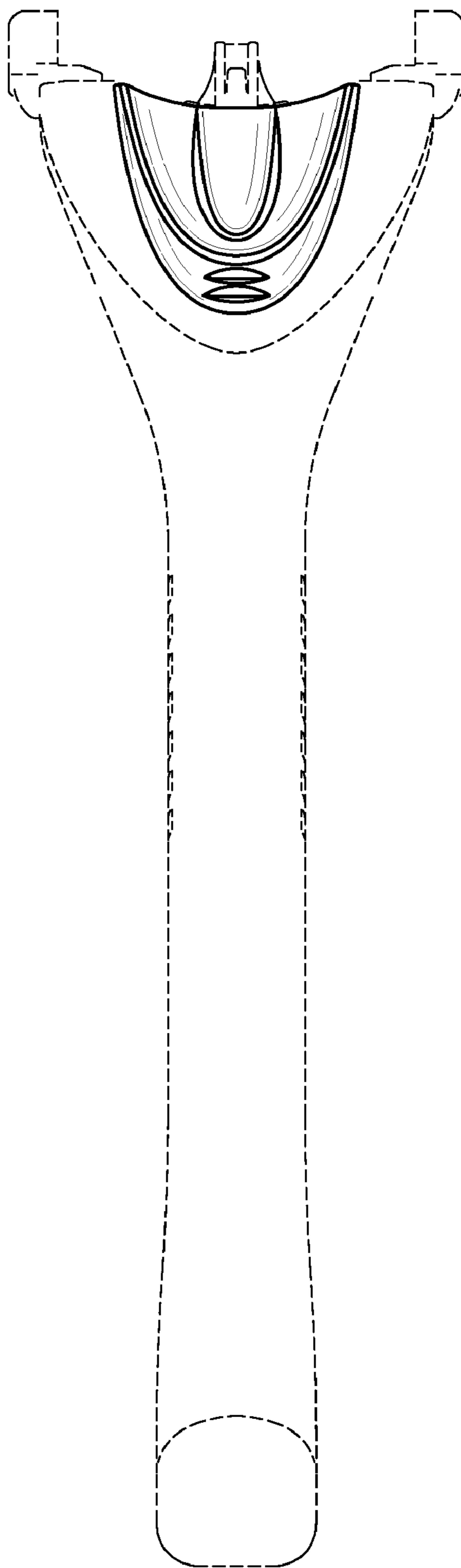


FIG. 1



*FIG. 2*

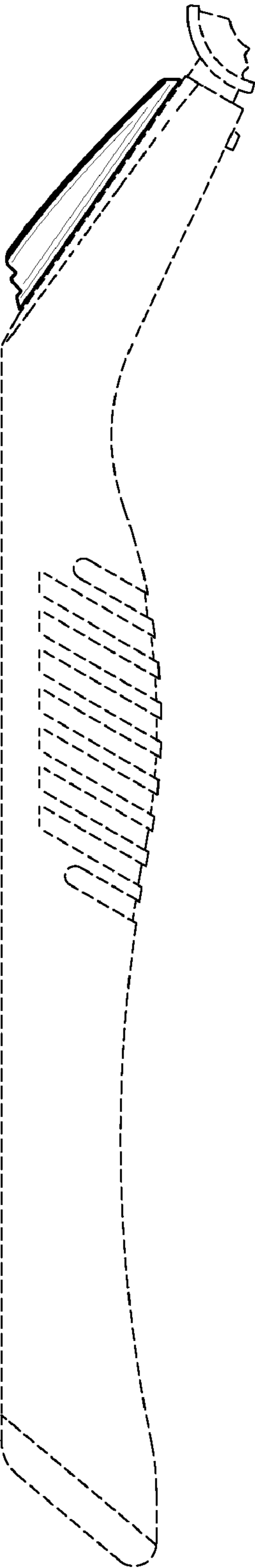
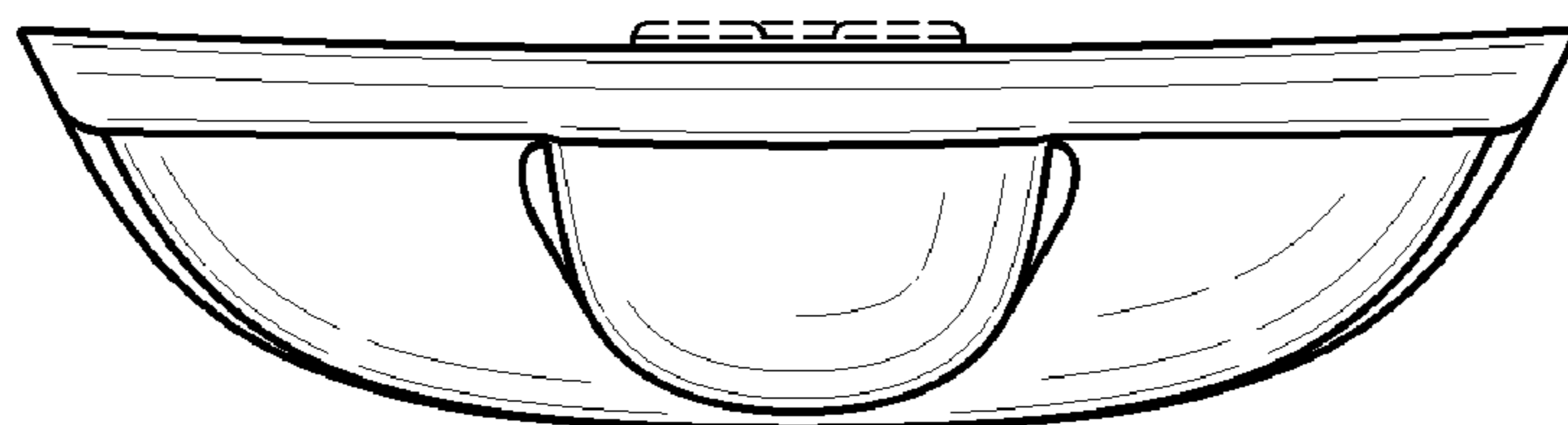
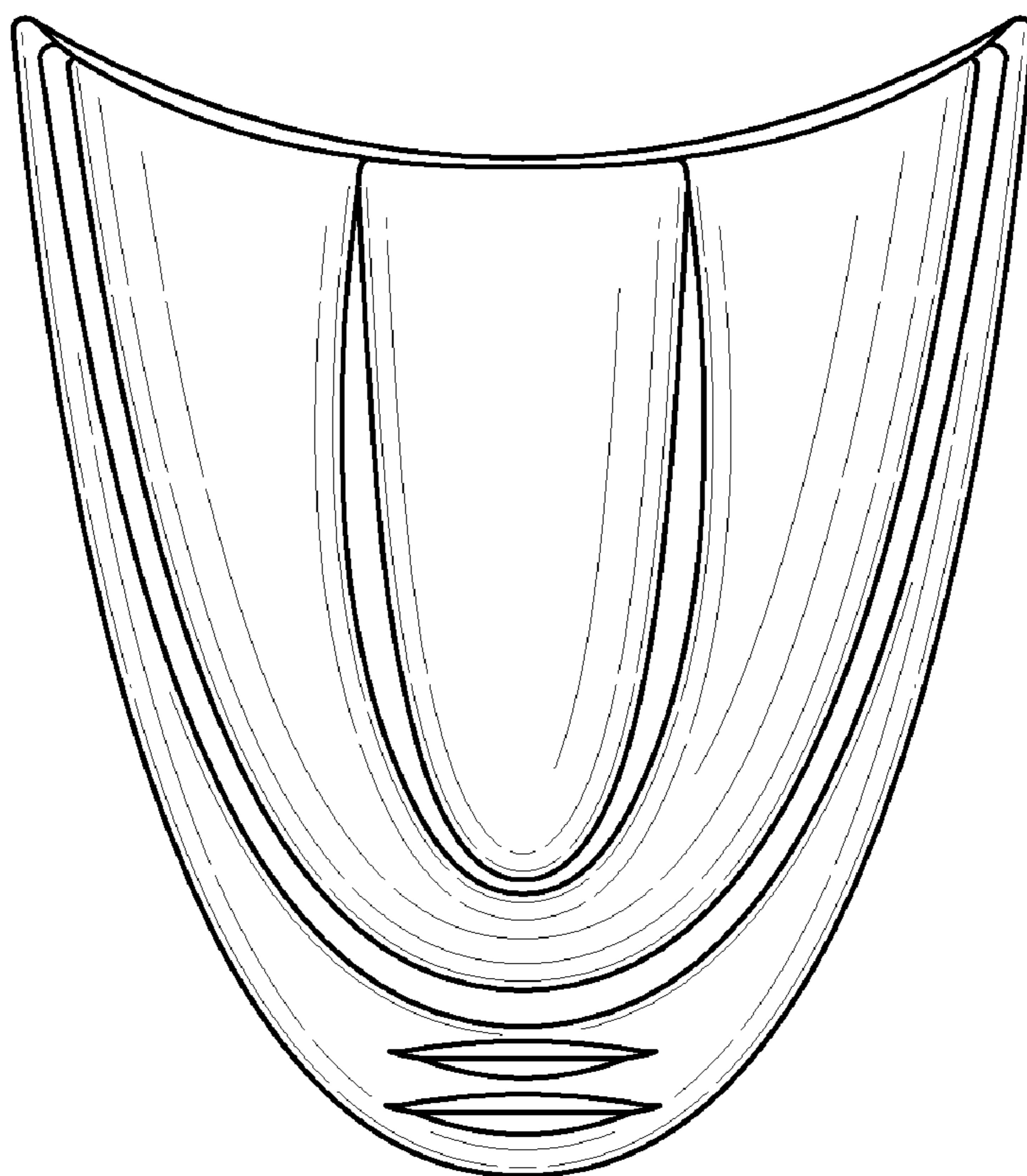


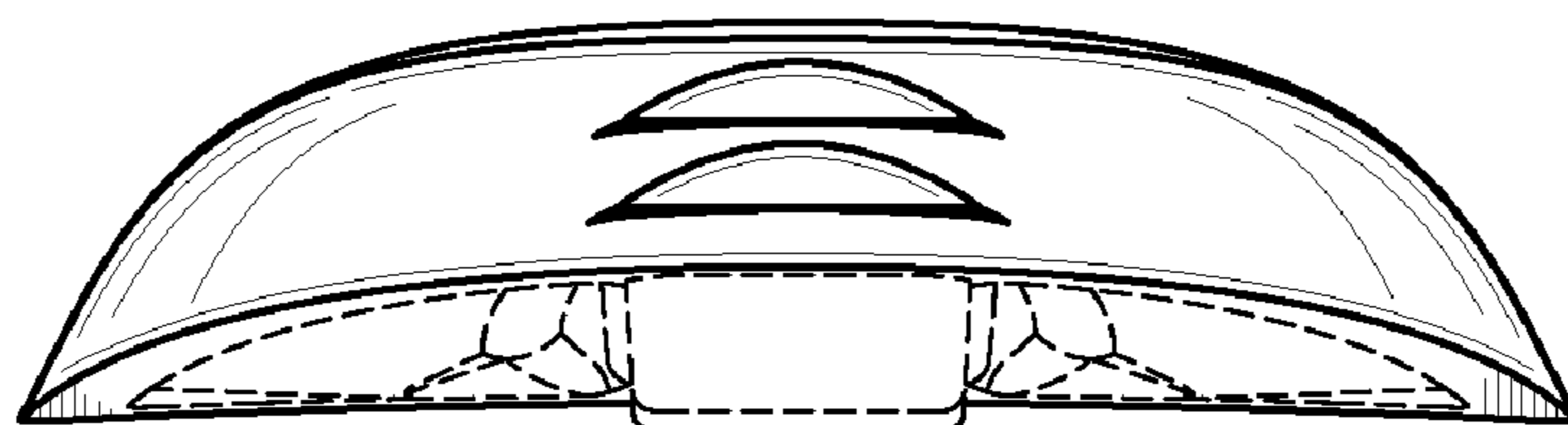
FIG. 3



*FIG. 5*



*FIG. 4*



*FIG. 6*

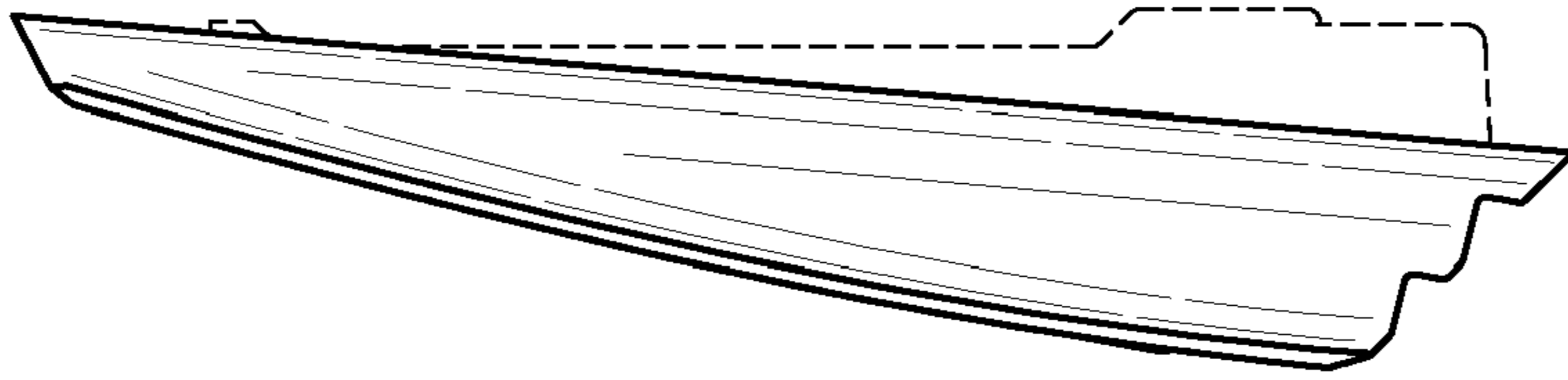


FIG. 9

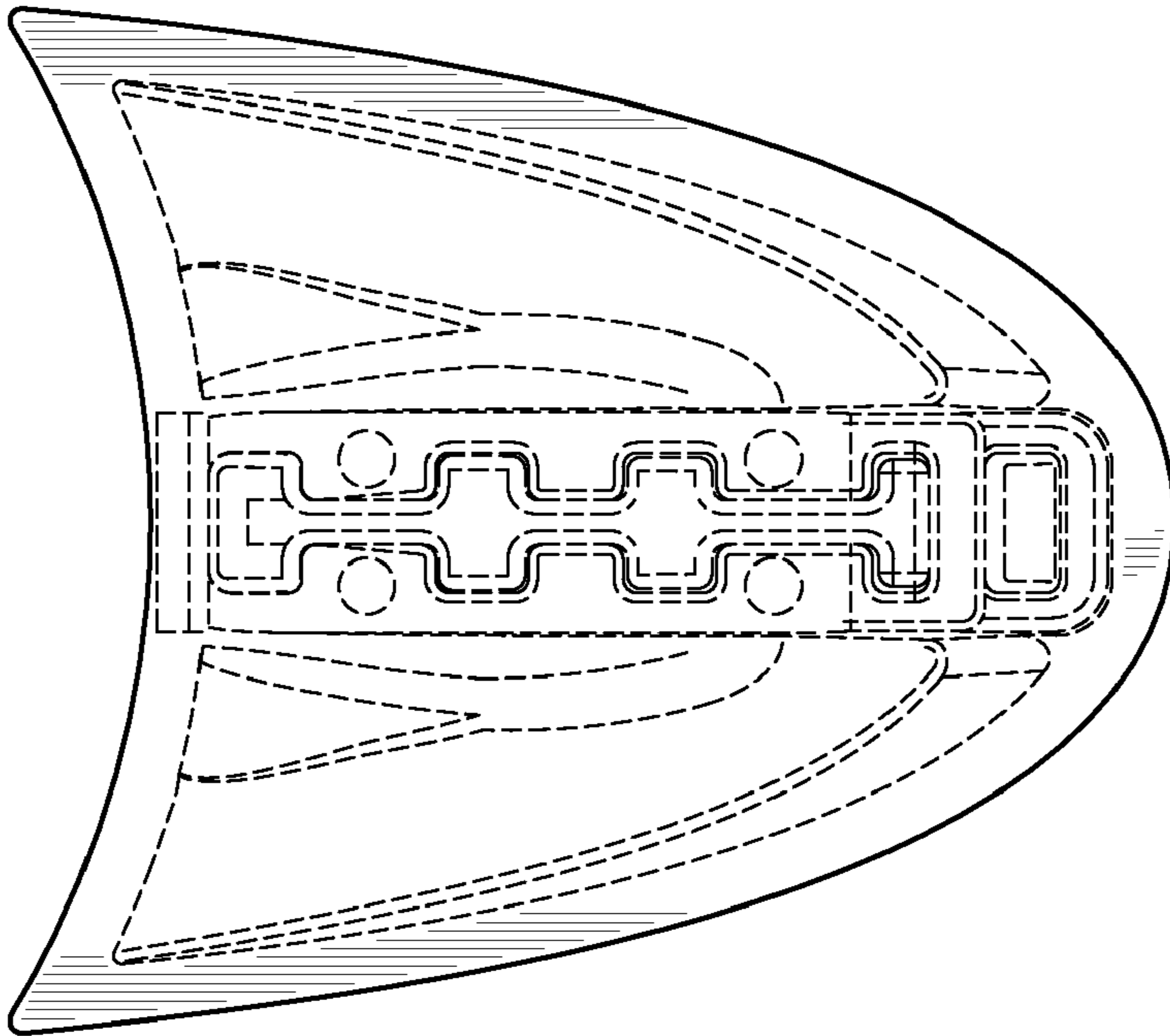


FIG. 7

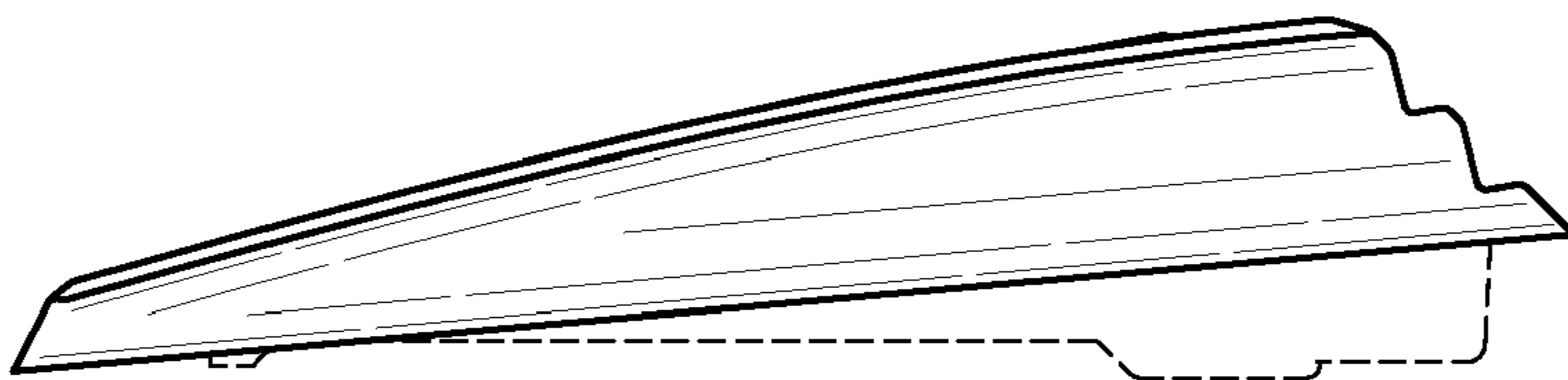


FIG. 8