



US00D624242S

(12) **United States Design Patent**  
**Bridges et al.**

(10) **Patent No.:** **US D624,242 S**

(45) **Date of Patent:** **\*\* Sep. 21, 2010**

(54) **PROTECTIVE OVERCAP FOR A SHAVING RAZOR CARTRIDGE**

(75) Inventors: **Kelly Daniel Bridges**, Abington, MA (US); **Vincent Paul Walker, Jr.**, Bridgewater, MA (US)

(73) Assignee: **The Gillette Company**, Boston, MA (US)

(\*\*) Term: **14 Years**

(21) Appl. No.: **29/355,433**

(22) Filed: **Feb. 8, 2010**

(51) **LOC (9) Cl.** ..... **28-03**

(52) **U.S. Cl.** ..... **D28/47**

(58) **Field of Classification Search** ..... 30/32, 30/34.05, 34.1, 34.2, 41-41.8, 44-45, 47-51, 30/53-58, 526-533, 537; D28/44.1-48  
See application file for complete search history.

(56) **References Cited**

**U.S. PATENT DOCUMENTS**

2,342,207	A *	2/1944	McVey	.....	206/228
3,388,468	A	6/1968	Hamill		
4,587,730	A *	5/1986	Iten	.....	30/32
4,777,722	A	10/1988	Trotta		
4,833,779	A	5/1989	Iten		
4,996,772	A *	3/1991	Iten	.....	30/41

5,012,578	A	5/1991	Siefer		
5,095,621	A	3/1992	Rapp		
5,771,592	A	6/1998	Nizker		
5,893,213	A	4/1999	Motta		
D449,710	S *	10/2001	Wonderley	.....	D28/47
6,539,633	B1	4/2003	Rebaudieres		
D527,147	S *	8/2006	Pryor	.....	D28/44.1
D612,992	S *	3/2010	Sennett et al.	.....	D28/47

\* cited by examiner

*Primary Examiner*—Jennifer Rivard

(74) *Attorney, Agent, or Firm*—John M. Lipchitz; Kevin C. Johnson; Steven W. Miller

(57) **CLAIM**

The ornamental design for a protective overcap for a shaving razor cartridge, as shown and described.

**DESCRIPTION**

FIG. 1 is a perspective view of a protective overcap for a shaving razor cartridge of the present invention;

FIG. 2 is a front view thereof;

FIG. 3 is a back view thereof;

FIG. 4 is a left side view thereof;

FIG. 5 is a right side view thereof;

FIG. 6 is a top view thereof; and,

FIG. 7 is a bottom view thereof.

**1 Claim, 6 Drawing Sheets**

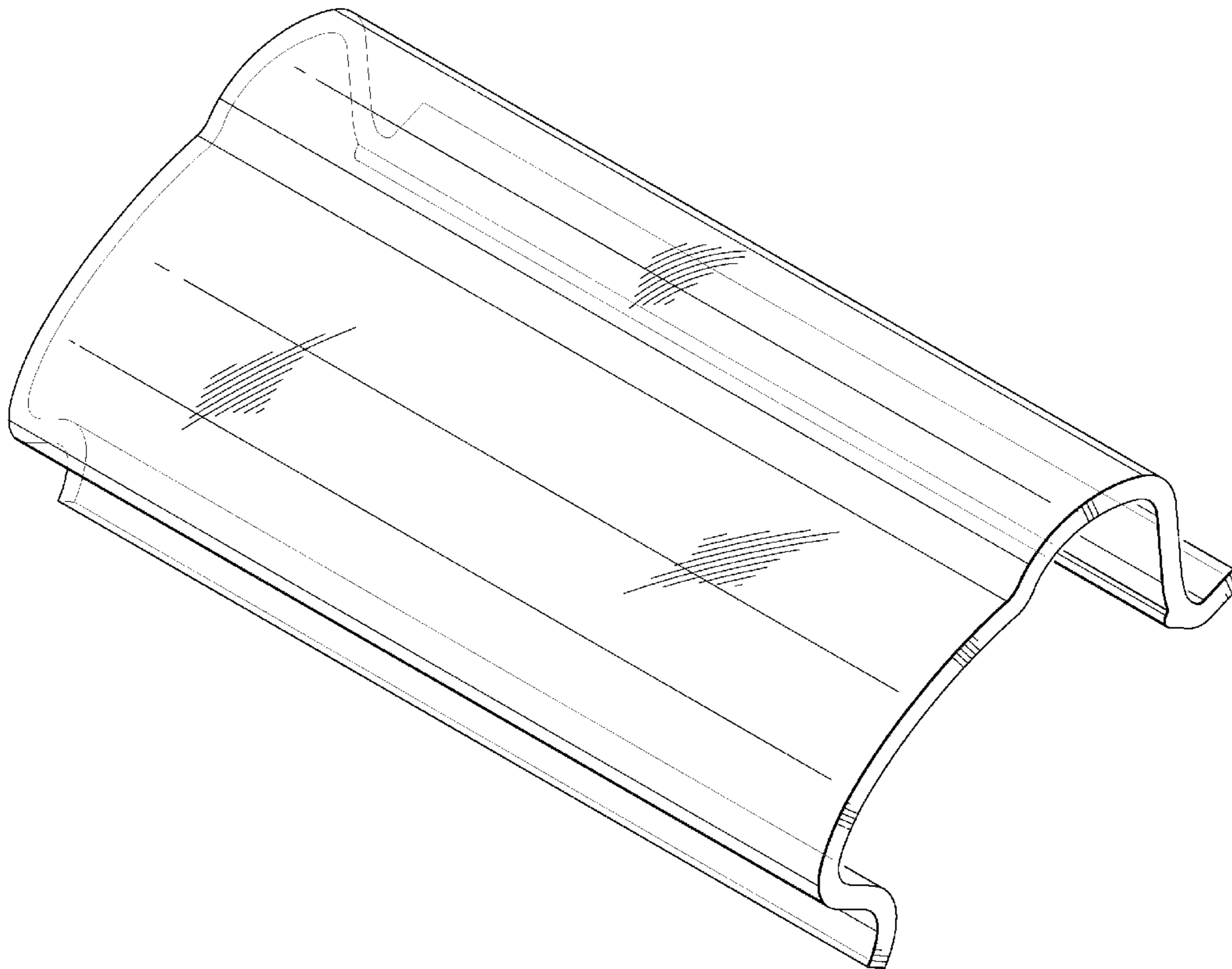


FIG. 1

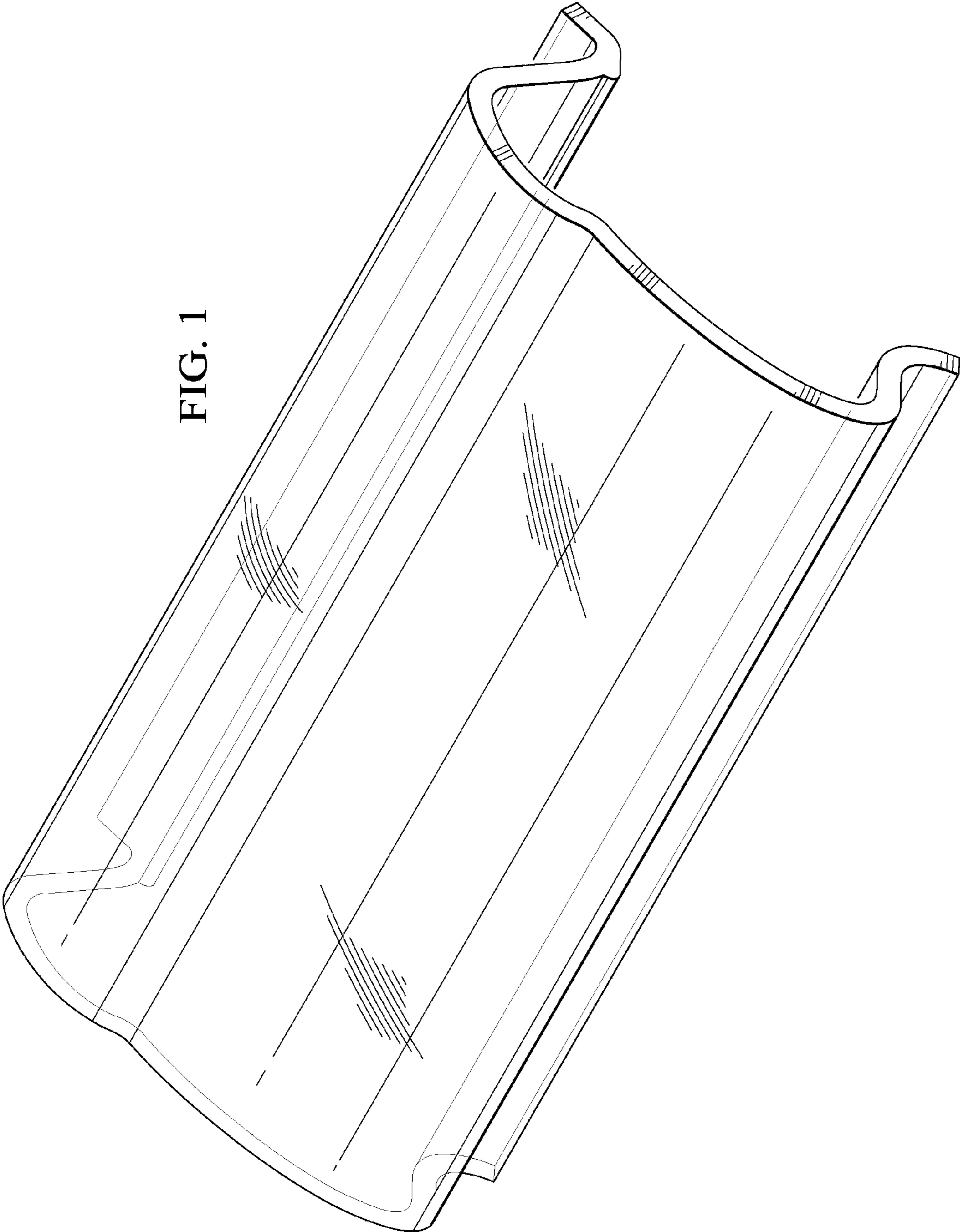


FIG. 2

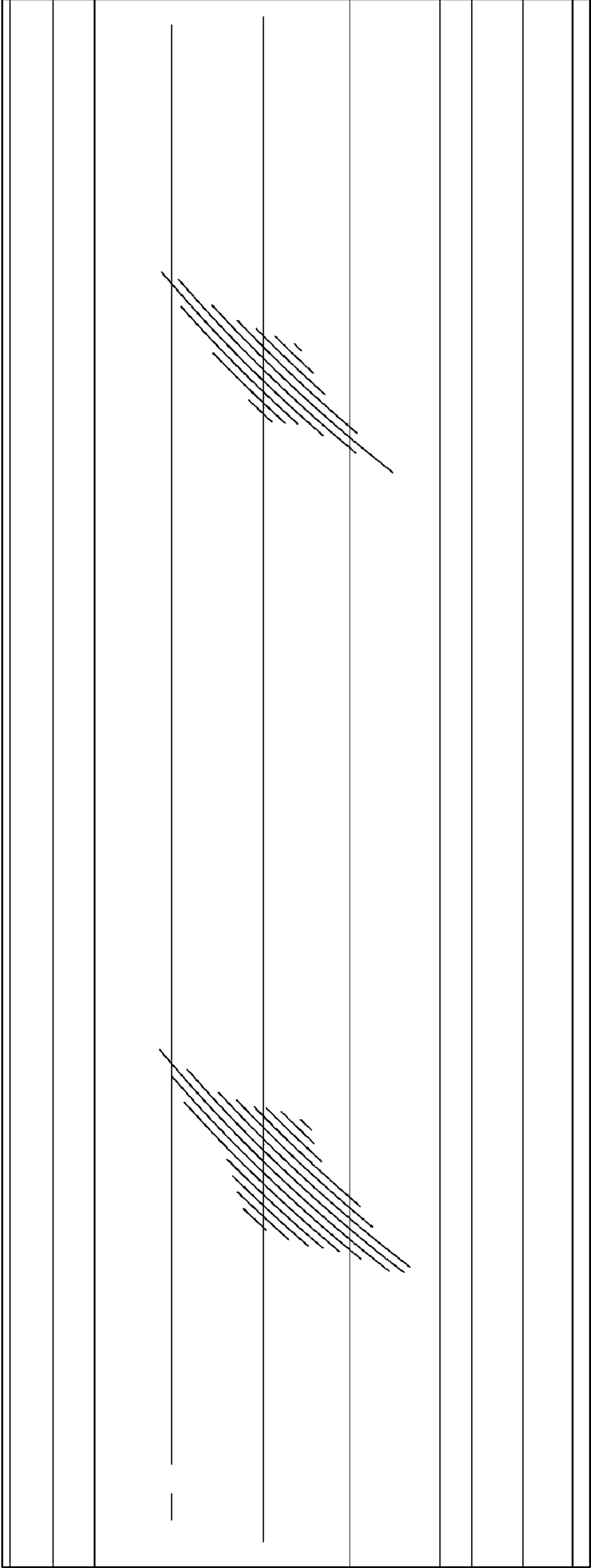


FIG. 3

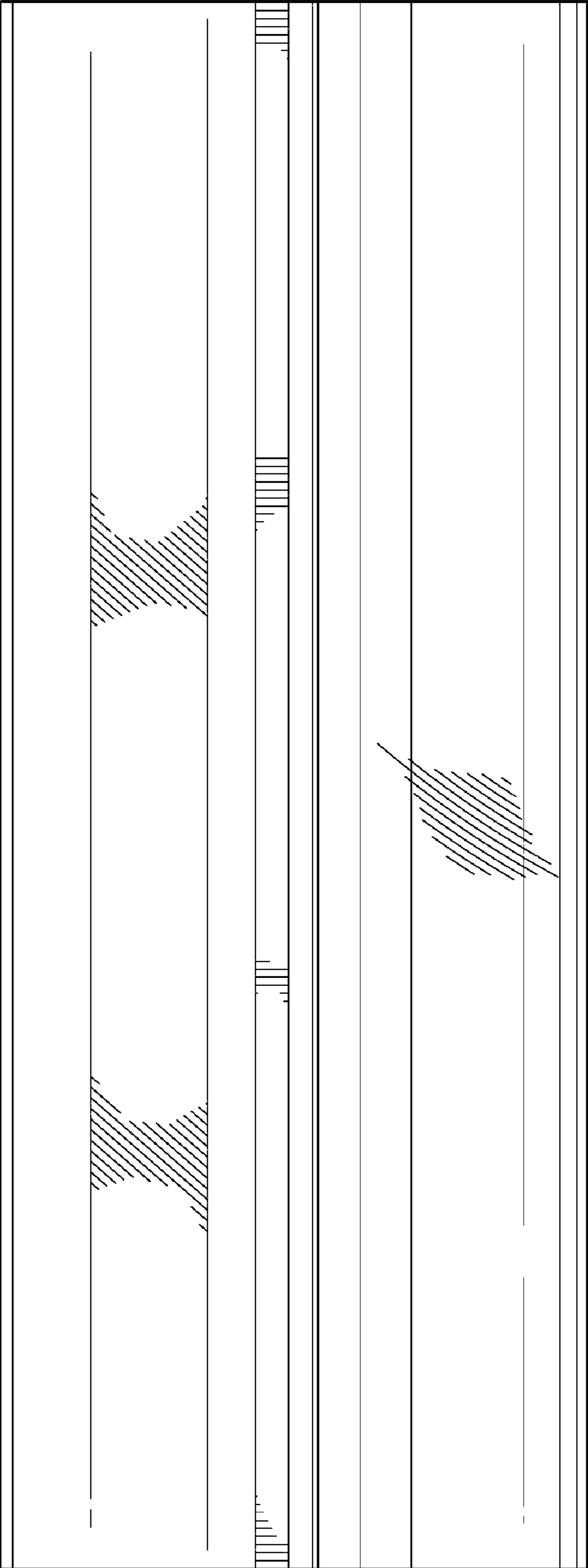


FIG. 5

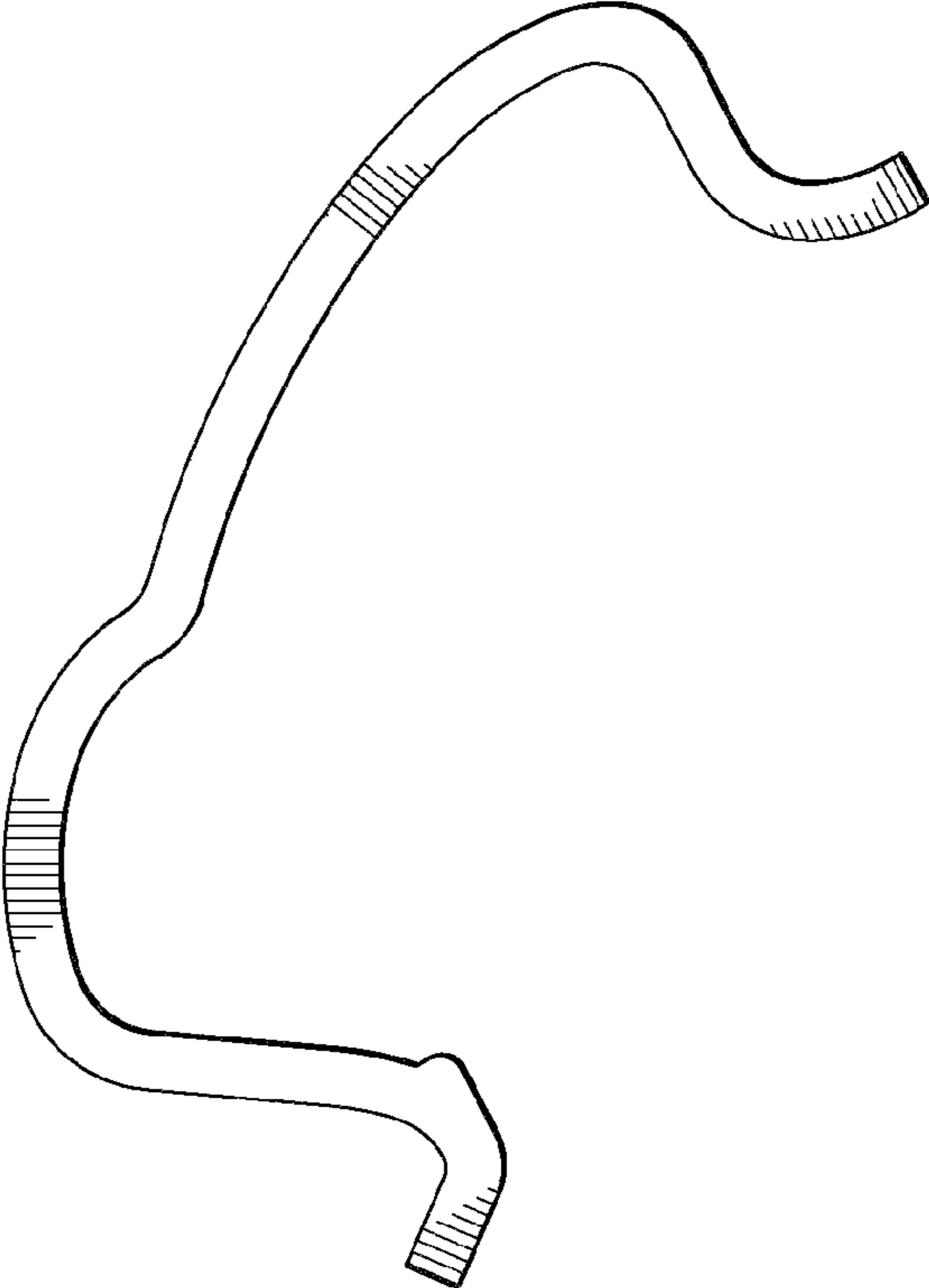


FIG. 4

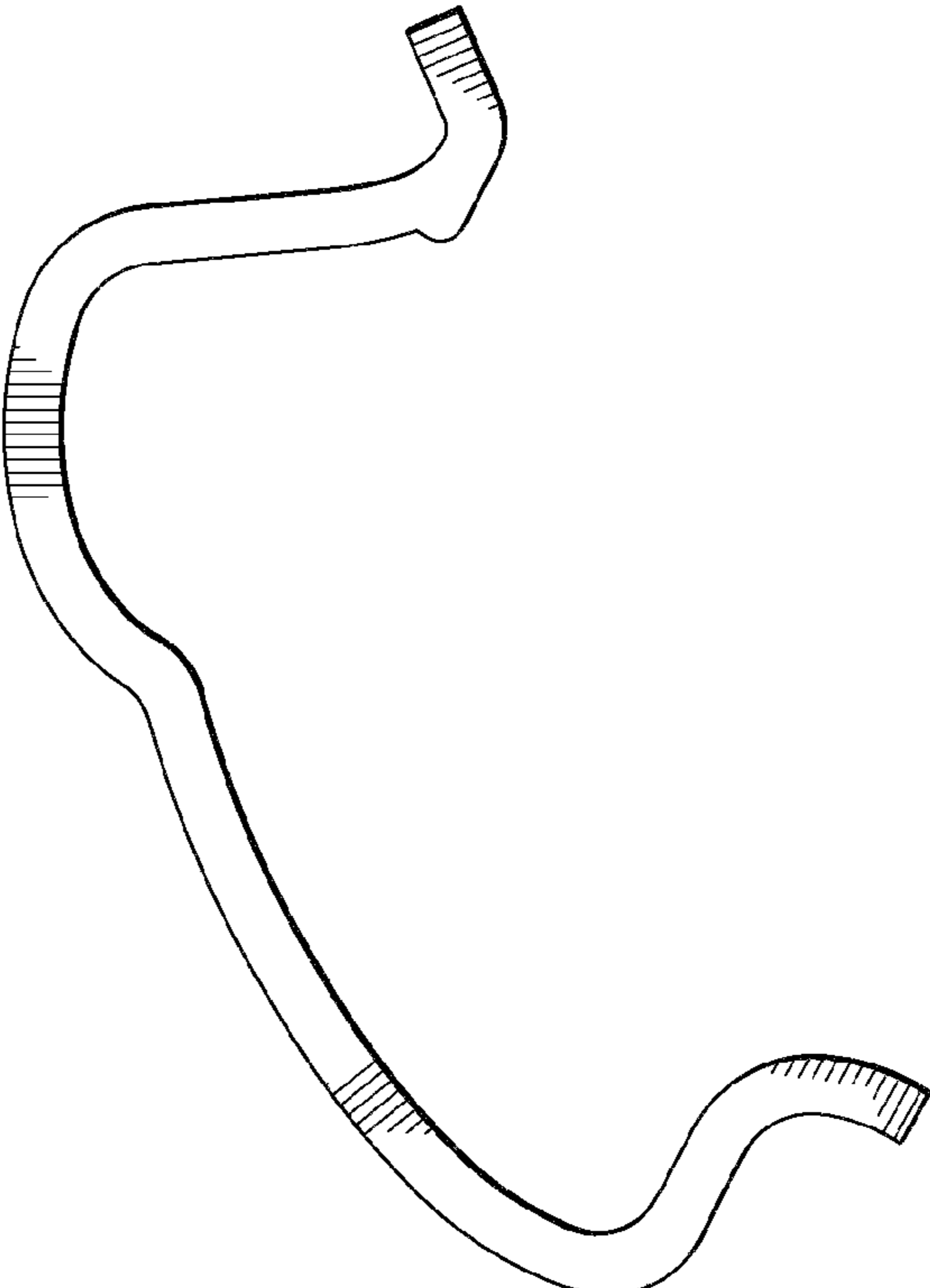


FIG. 6

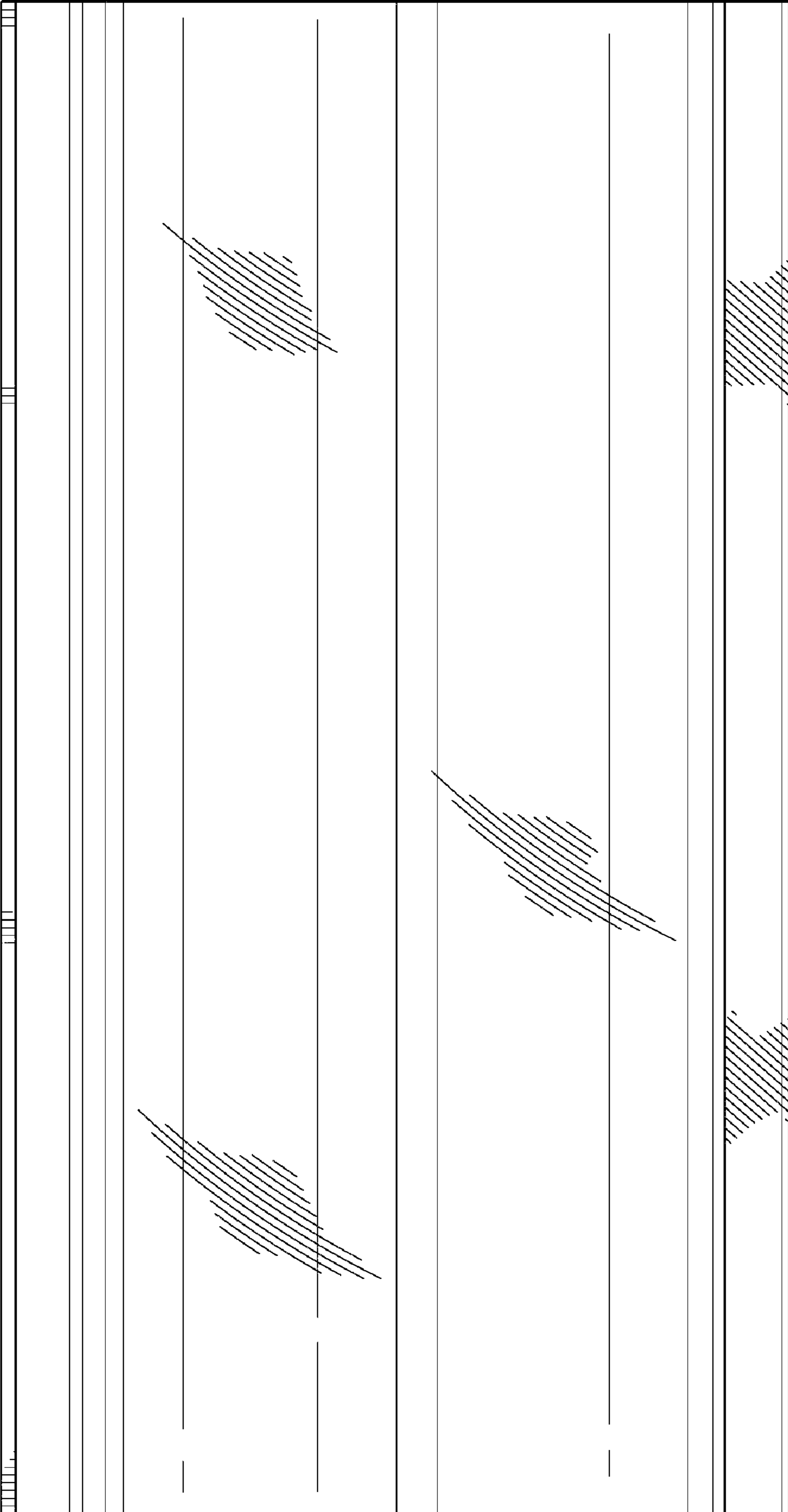


FIG. 7

