



US00D624237S

(12) **United States Design Patent**
Lavallee

(10) **Patent No.:** **US D624,237 S**

(45) **Date of Patent:** **** Sep. 21, 2010**

(54) **MOUNTING BRACKET FOR A LAMP**

(76) **Inventor:** **Guy Lavallee**, 640, Mgr Dubois,
Saint-Jérôme, Quebec (CA) J7Y 3L8

(**) **Term:** **14 Years**

(21) **Appl. No.:** **29/311,880**

(22) **Filed:** **Jul. 22, 2009**

(51) **LOC (9) Cl.** **26-99**

(52) **U.S. Cl.** **D26/155; D26/141**

(58) **Field of Classification Search** D26/67-71,
D26/85, 92, 141, 142, 155; 362/145, 183,
362/249.02, 249.03, 249.04, 249.06, 249.16,
362/231, 431

See application file for complete search history.

(56) **References Cited**

U.S. PATENT DOCUMENTS

D163,522 S *	6/1951	Kernodle	D26/141
D177,916 S *	6/1956	Keck et al.	D26/71
D194,480 S *	1/1963	Rodriquez et al.	D26/71
3,156,418 A *	11/1964	Jablonski et al	52/28
D205,719 S *	9/1966	Pettengill	D26/69
D285,010 S *	8/1986	Mullins	D26/67
D354,367 S *	1/1995	Harrington	D26/68
D578,694 S *	10/2008	Zeng et al.	D26/70

D591,887 S *	5/2009	Tortel	D26/67
D595,886 S *	7/2009	Lodhie	D26/71
D599,935 S *	9/2009	van Klinken	D26/67
2009/0109676 A1 *	4/2009	Lodhie	362/249.06

* cited by examiner

Primary Examiner—Clare E Heflin

(57) **CLAIM**

The ornamental design for a “mounting bracket for a lamp”, as shown and described.

DESCRIPTION

FIG. 1 is a perspective view of a mounting bracket incorporating a design according to the invention, the mounting bracket being supporting a lamp shown in phantom lines;

FIG. 2 is a left side elevational view thereof;

FIG. 3 is a right side elevational view thereof;

FIG. 4 is a front elevational view thereof;

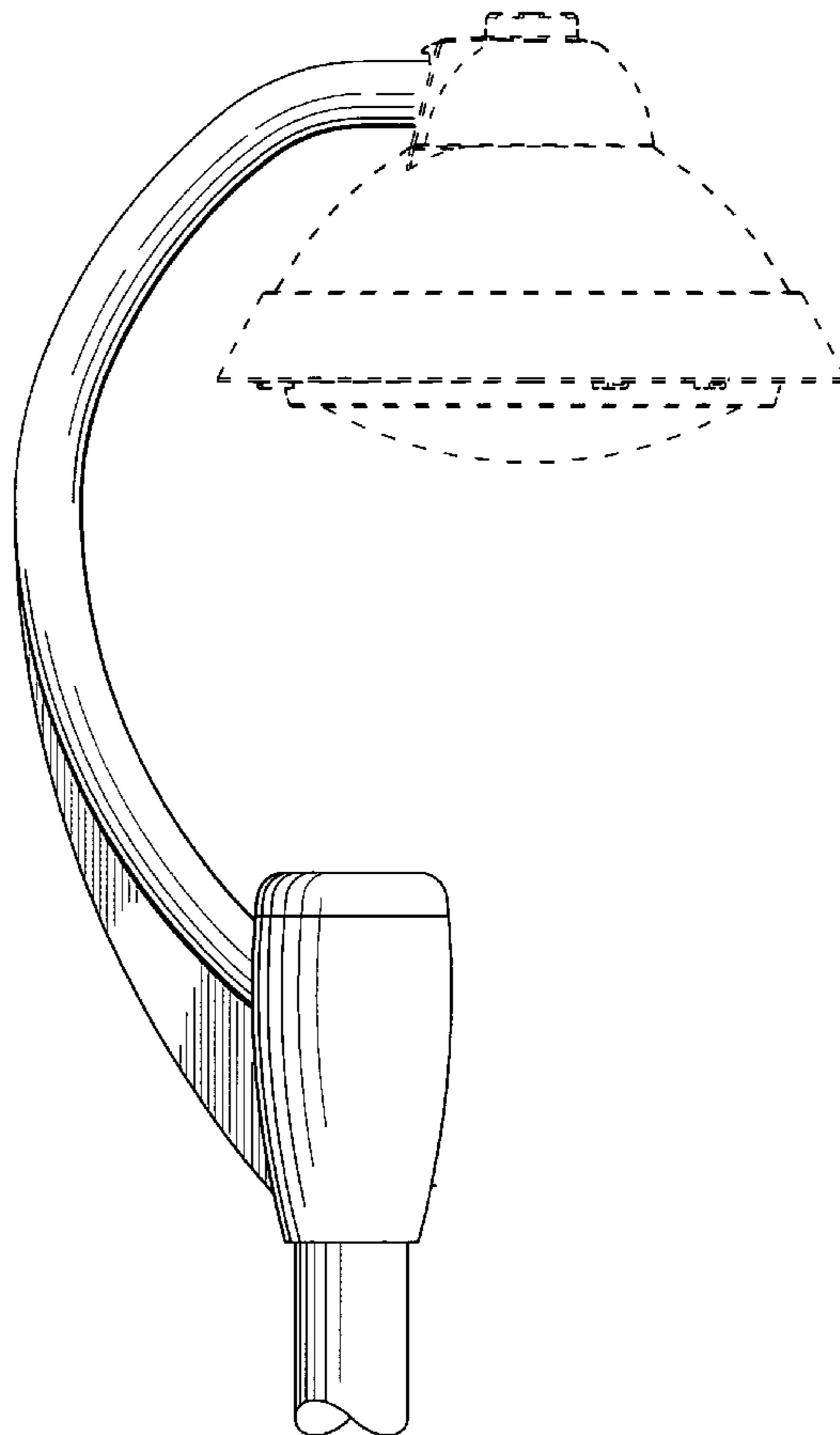
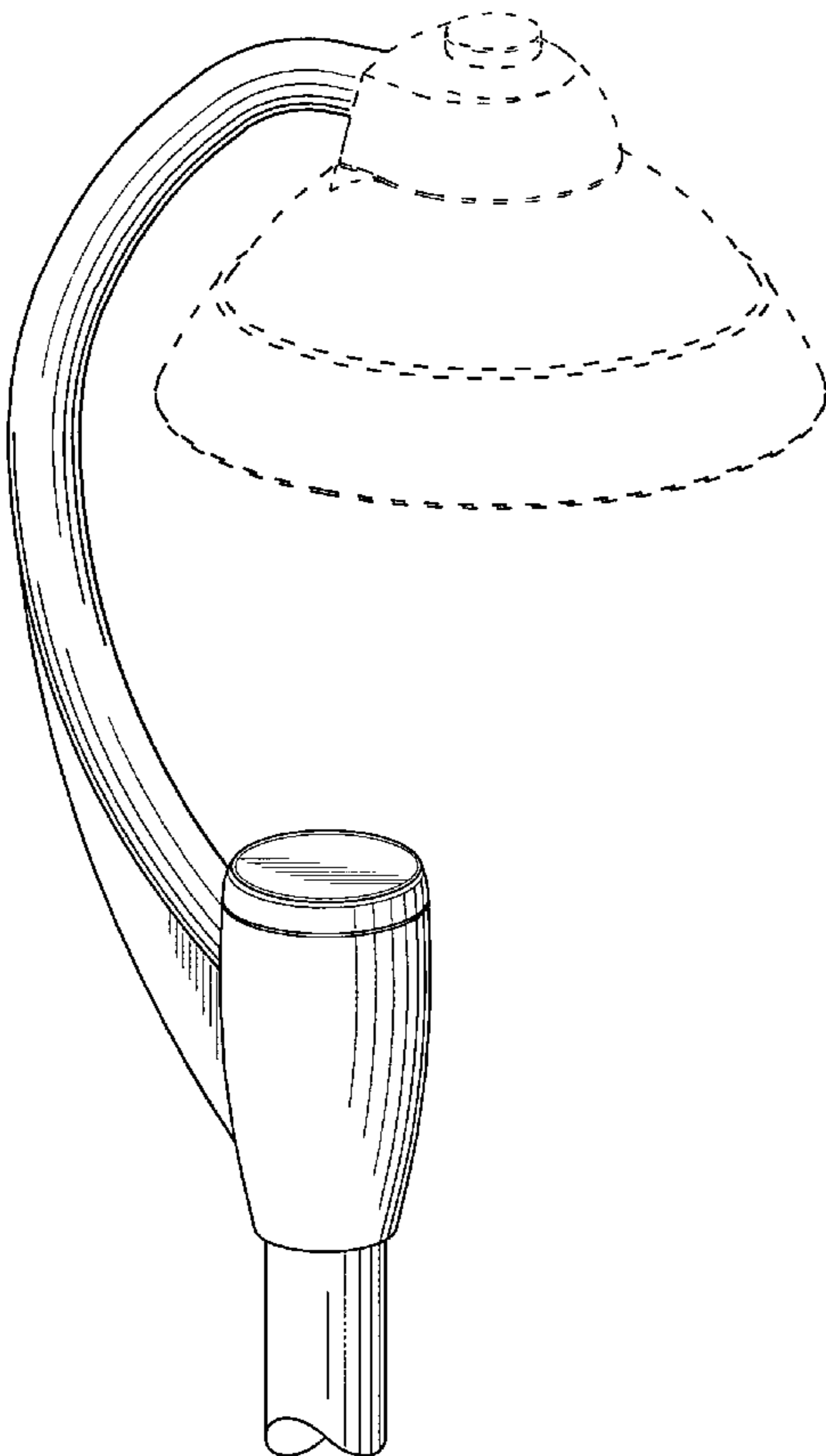
FIG. 5 is a rear elevational view thereof;

FIG. 6 is a bottom plan view thereof; and,

FIG. 7 is a top plan view thereof.

The broken lines shown on the drawings depict environment only and form no part of the claimed design.

1 Claim, 6 Drawing Sheets



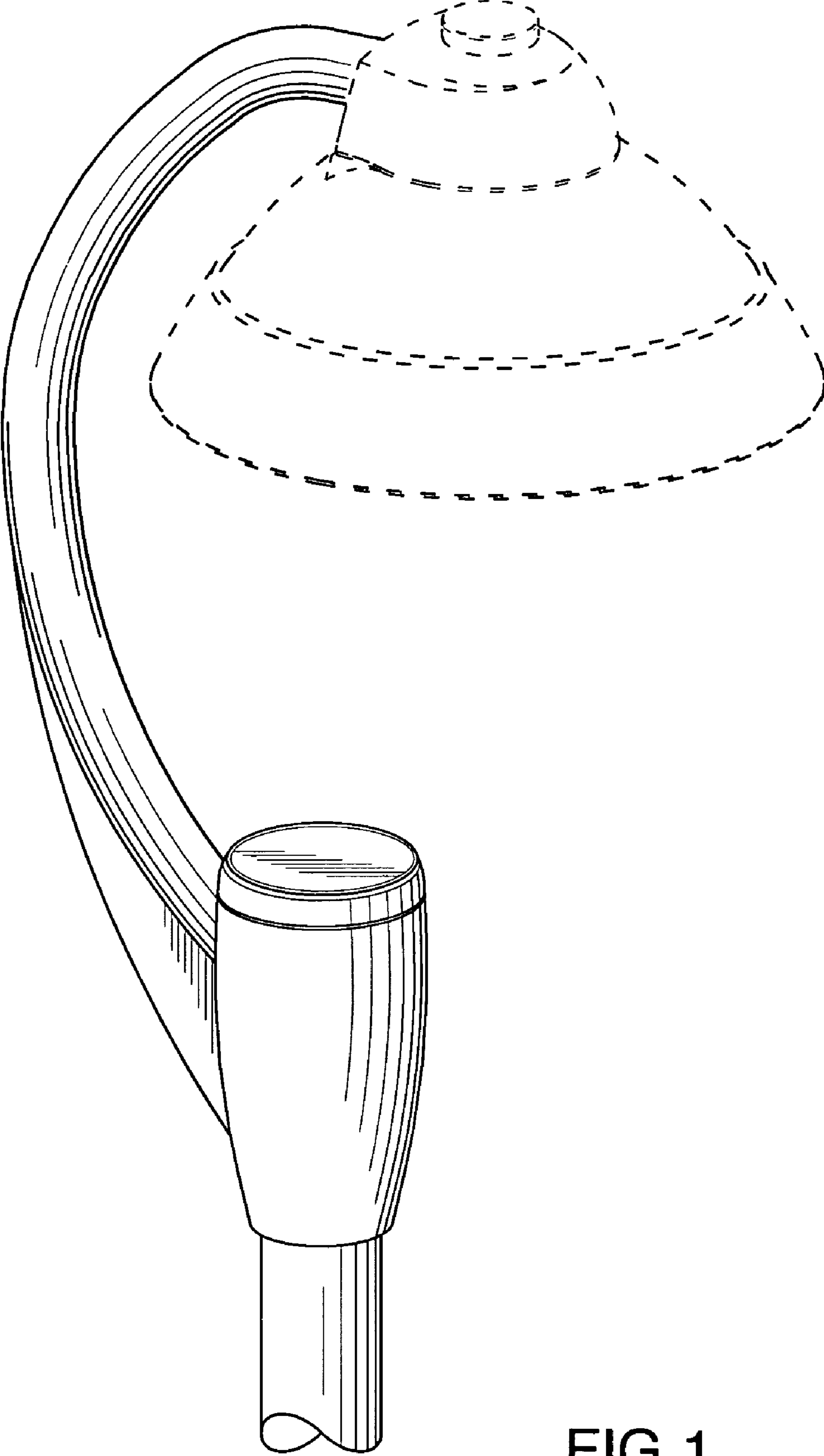


FIG. 1

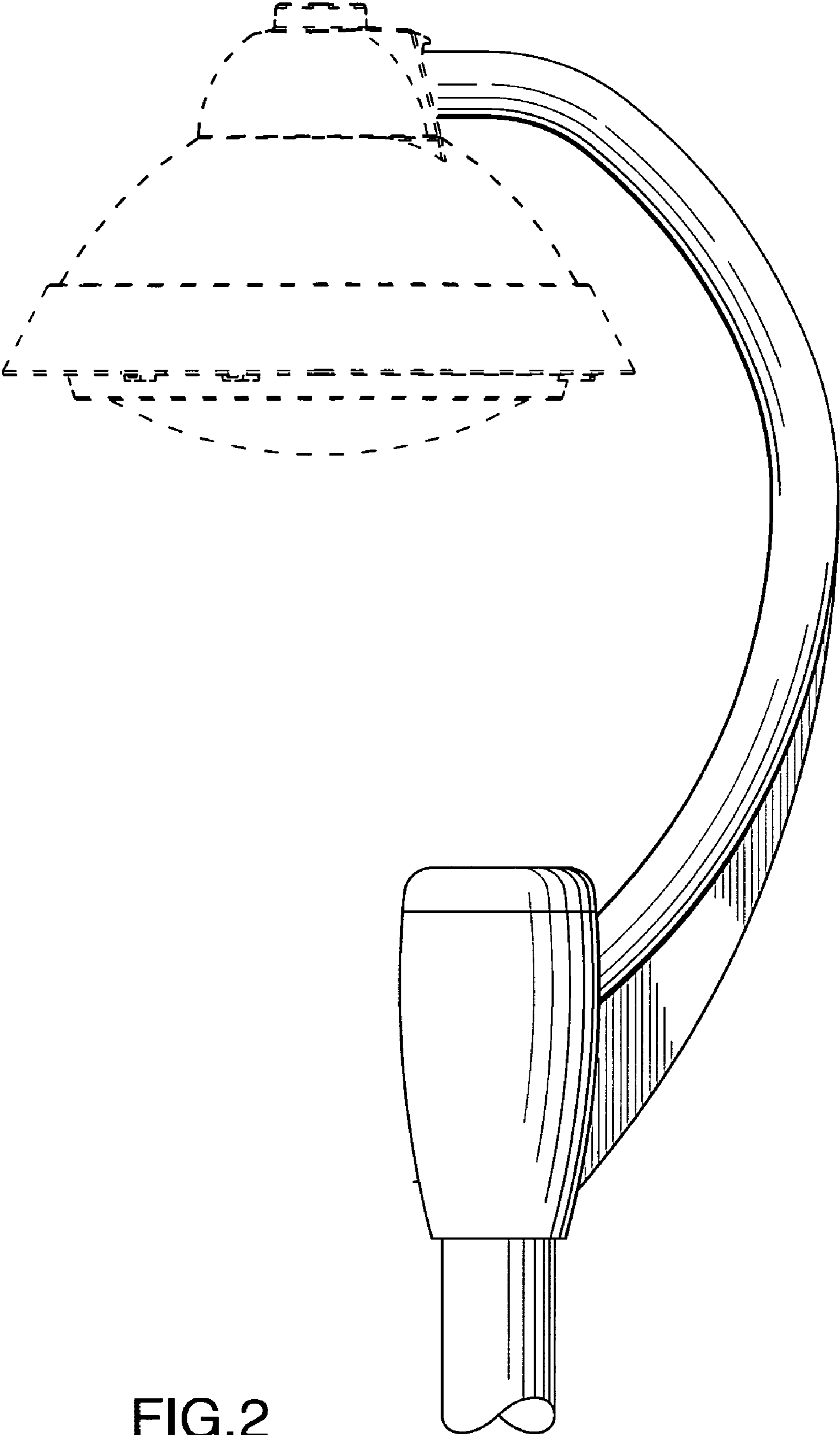


FIG.2

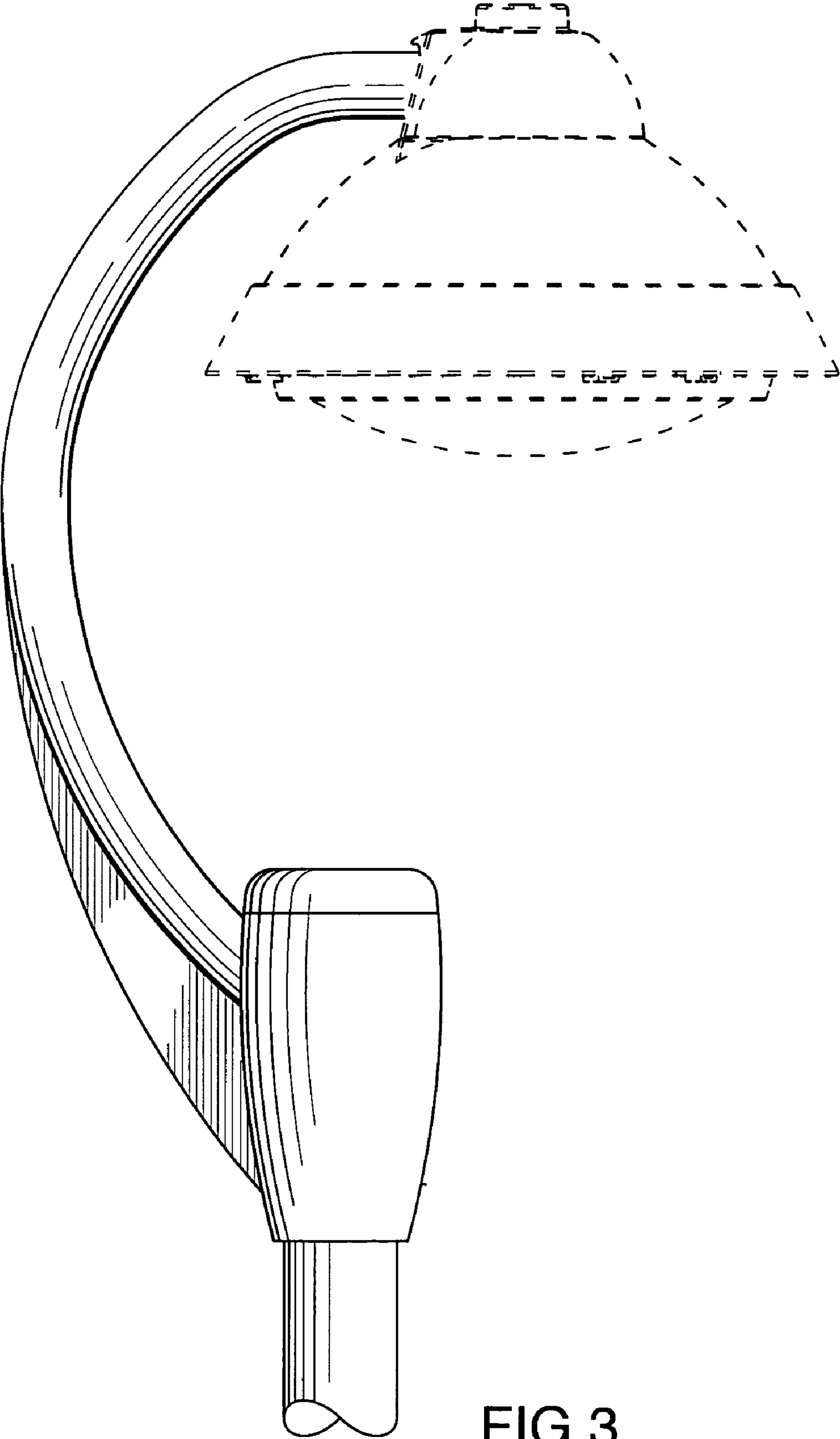


FIG.3

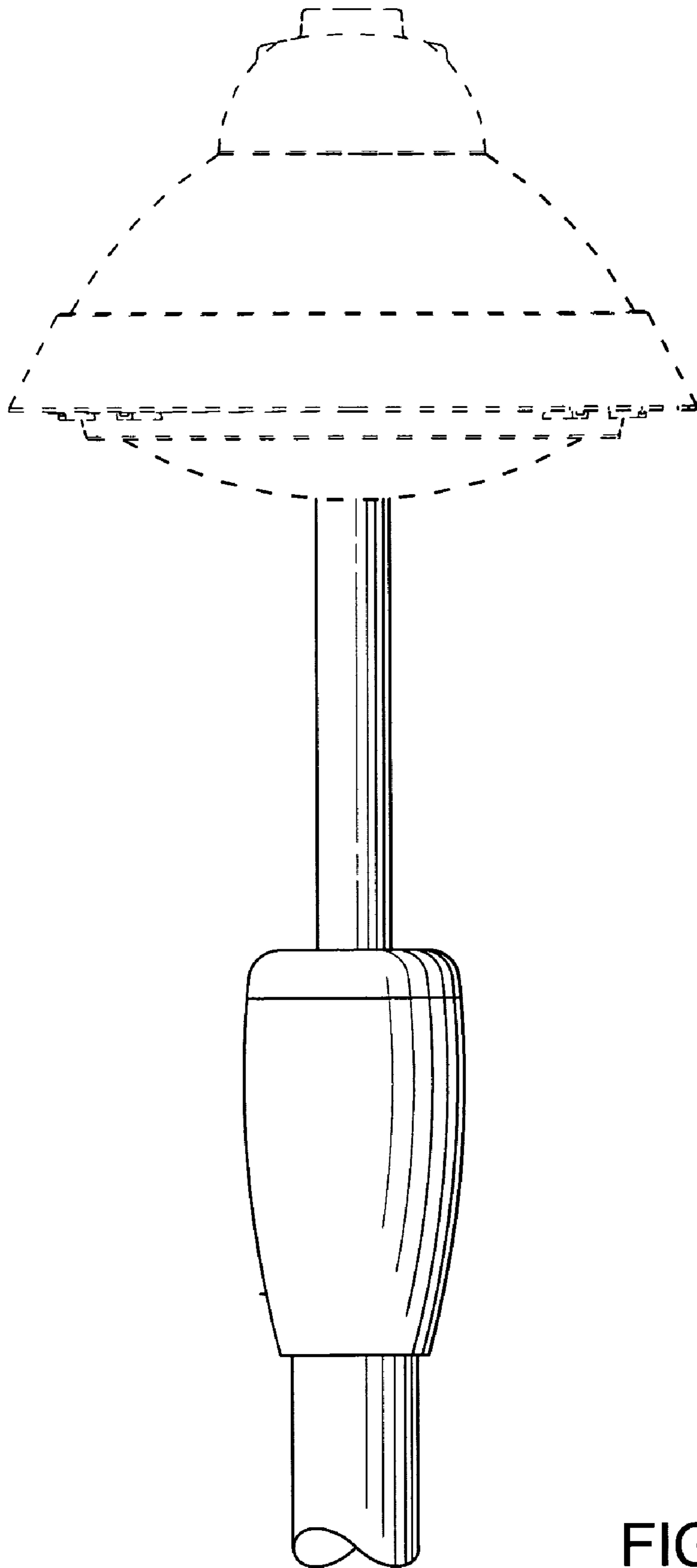


FIG. 4

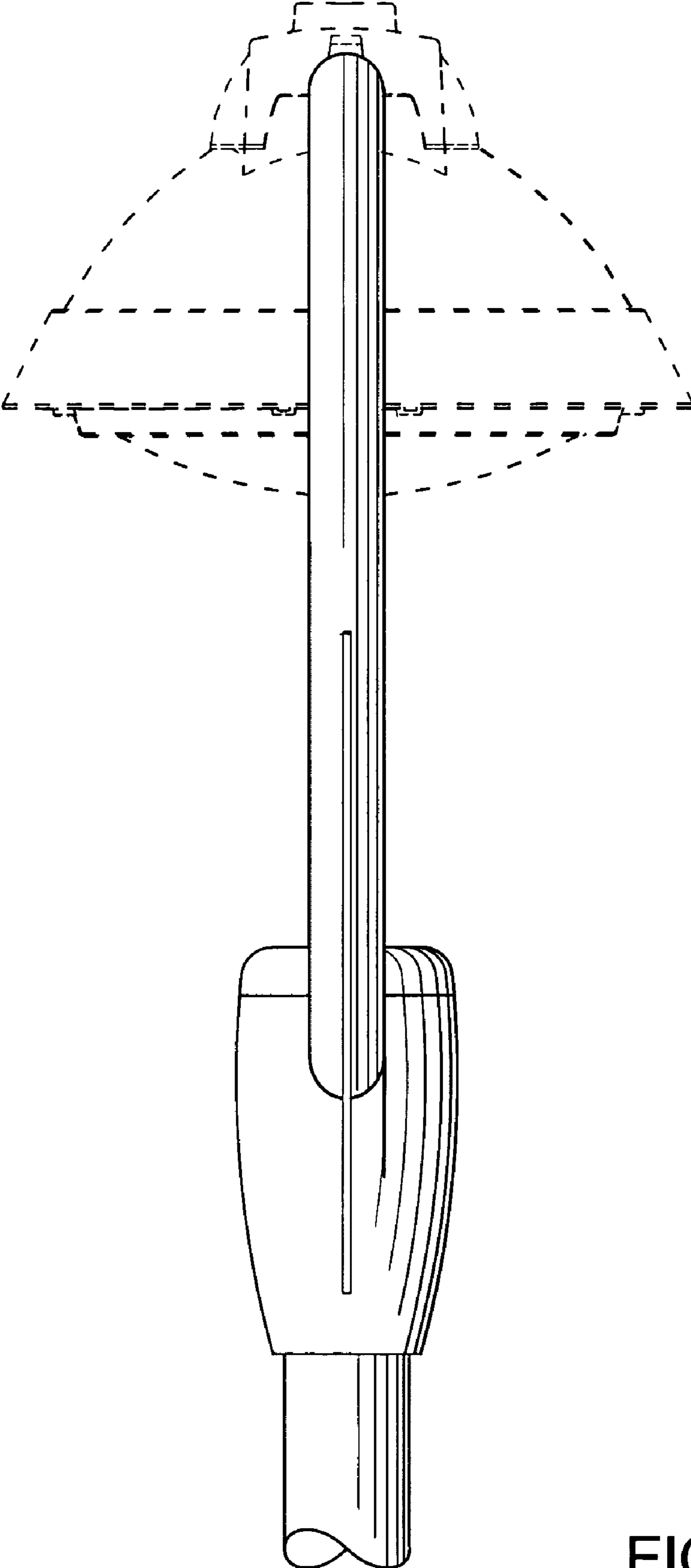


FIG.5

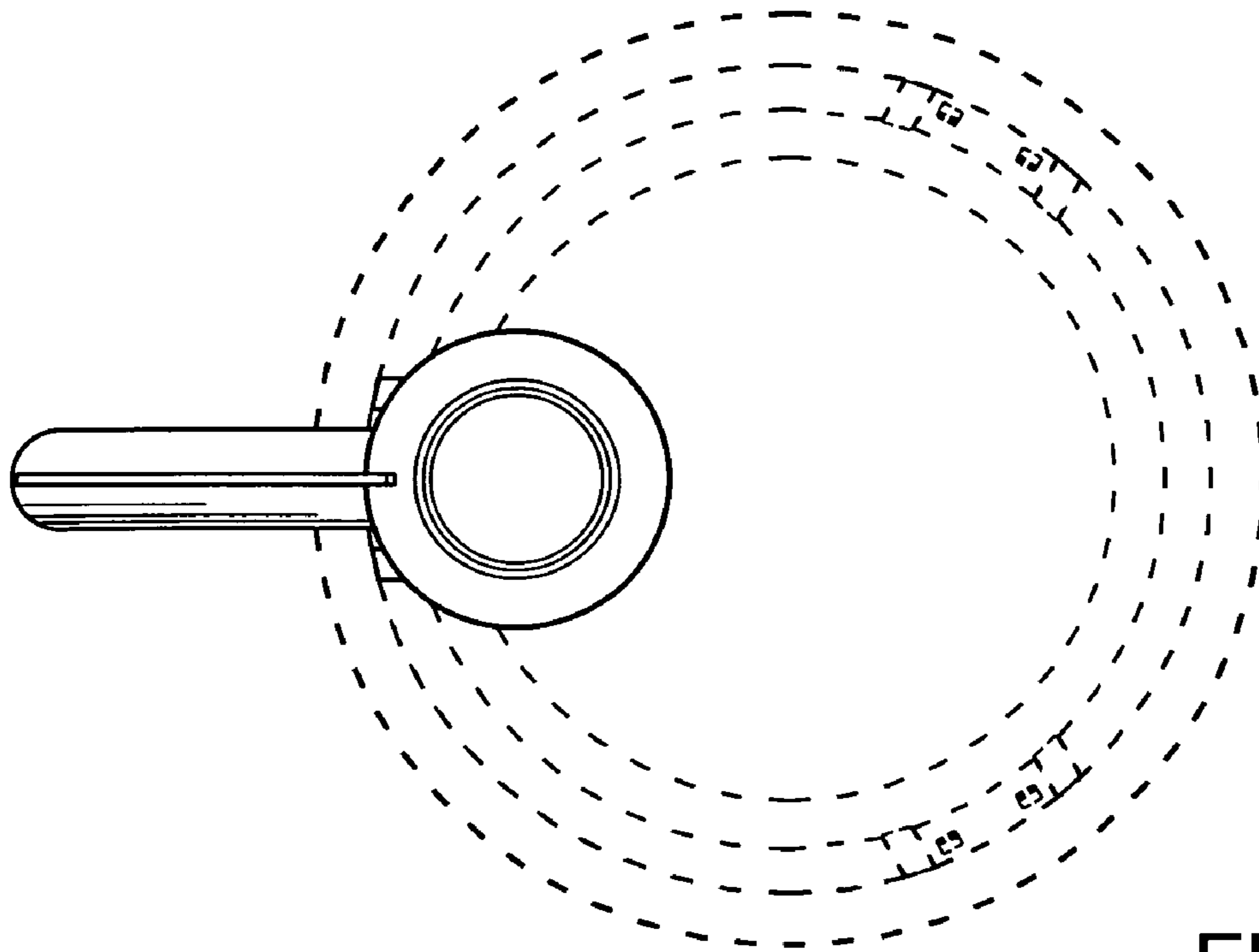


FIG. 6

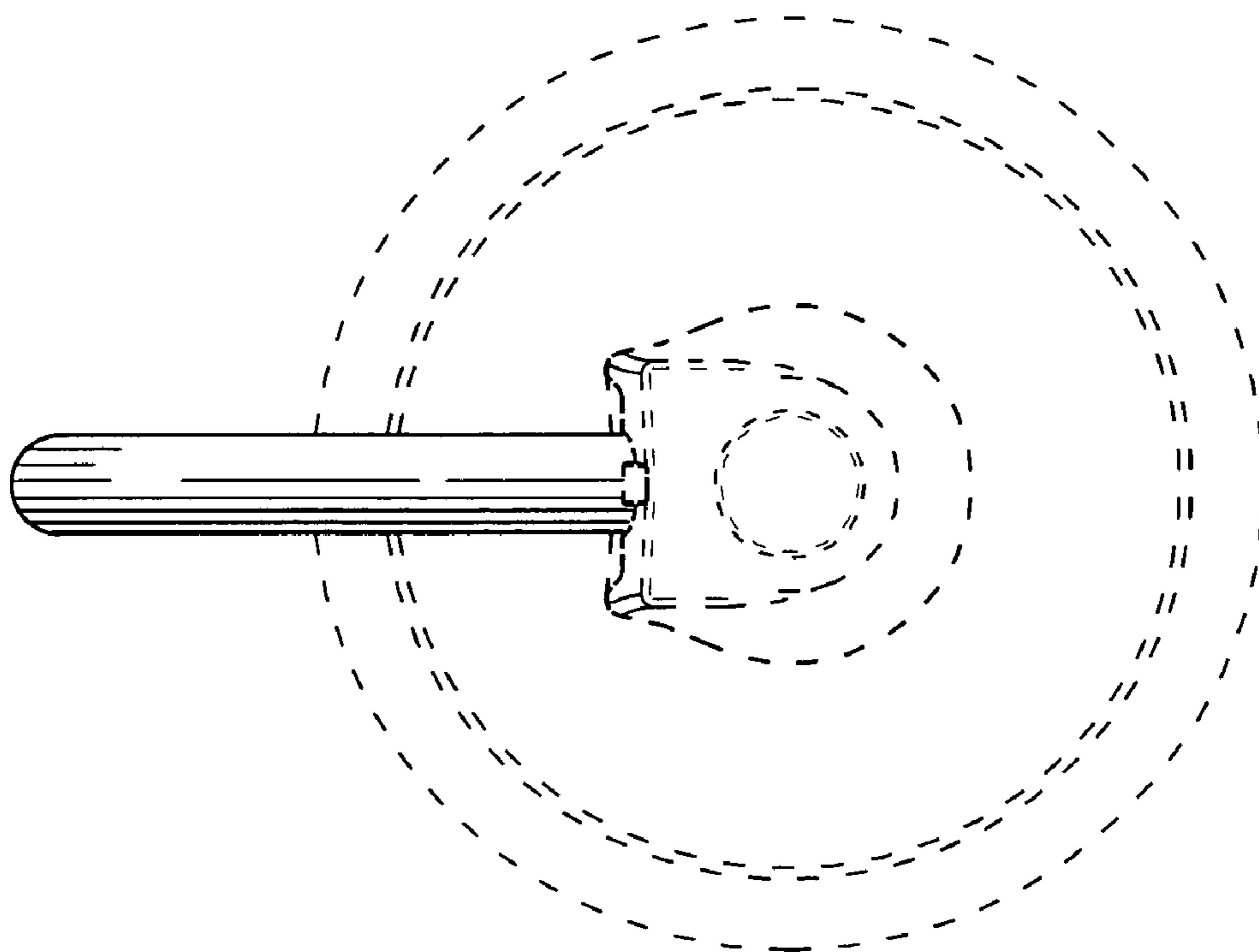


FIG. 7