



US00D624234S

(12) **United States Design Patent**
Andrew

(10) **Patent No.:** **US D624,234 S**

(45) **Date of Patent:** **** Sep. 21, 2010**

(54) **LIGHT FIXTURE**

(76) **Inventor:** **Mercedita Andrew**, 925 W. Huron St.,
Apt. 322, Chicago, IL (US) 60642

(**) **Term:** **14 Years**

(21) **Appl. No.:** **29/362,187**

(22) **Filed:** **May 21, 2010**

(51) **LOC (9) Cl.** **26-99**

(52) **U.S. Cl.** **D26/145**

(58) **Field of Classification Search** D26/63,
D26/67, 136, 87, 92, 142, 145, 155, 1, 2,
D26/134, 154, 3, 138, 123, 118, 133, 129,
D26/130, 131, 28, 124, 144, 81, 84, 85, 120,
D26/128, 140, 141, 143; 362/291, 294, 414,
362/352, 260, 220, 218, 219, 221, 241, 147,
362/277, 326, 351, 355, 356, 357, 370, 405,
362/432; 439/235, 226, 239; D13/110, 179,
D13/180

See application file for complete search history.

(56) **References Cited**

U.S. PATENT DOCUMENTS

D55,390 S *	6/1920	Maerz	D26/92
D65,920 S *	11/1924	Monroe	D26/87
D71,031 S *	9/1926	Rogers	D26/92
D75,060 S *	5/1928	Rosenblatt	D26/145
D86,756 S *	4/1932	Wangersheim	D26/92
D293,484 S *	12/1987	Joerger	D26/87

D341,440 S *	11/1993	Hsu	D26/87
D382,079 S *	8/1997	Porter	D26/87
D388,218 S *	12/1997	Hsu	D26/87
D388,219 S *	12/1997	Hsu	D26/87
D456,935 S *	5/2002	Hsu	D26/87
D465,871 S *	11/2002	Hoernig	D26/87

* cited by examiner

Primary Examiner—Cathron C Brooks

Assistant Examiner—Kevin K Rudzinski

(74) *Attorney, Agent, or Firm*—Edgar A. Zarins; Nirav D. Parikh

(57) **CLAIM**

The ornamental design for a light fixture, as shown and described.

DESCRIPTION

FIG. 1 is a perspective view of a light fixture showing my new design;

FIG. 2 is a front elevational view thereof;

FIG. 3 is a right side elevational view thereof;

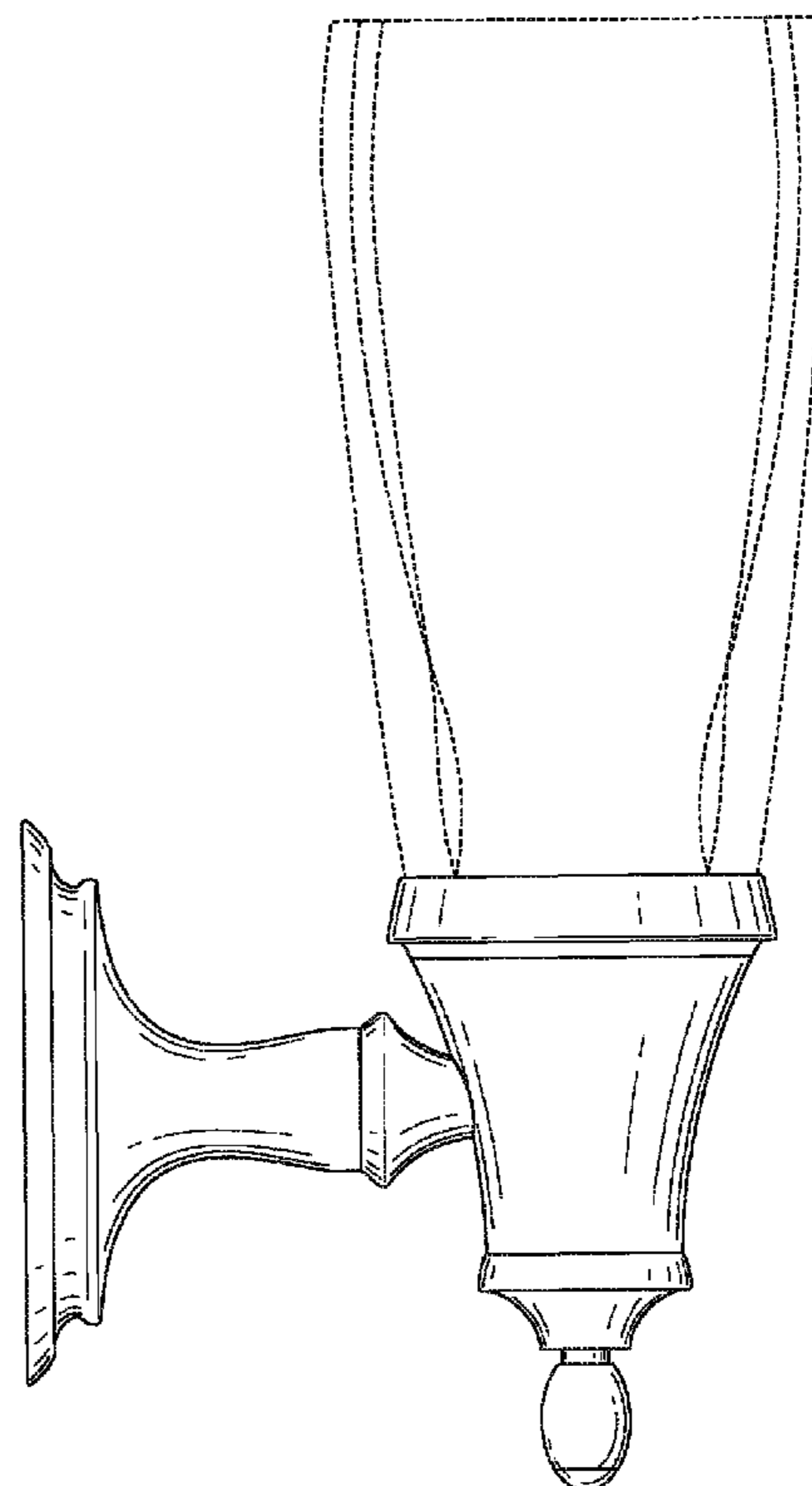
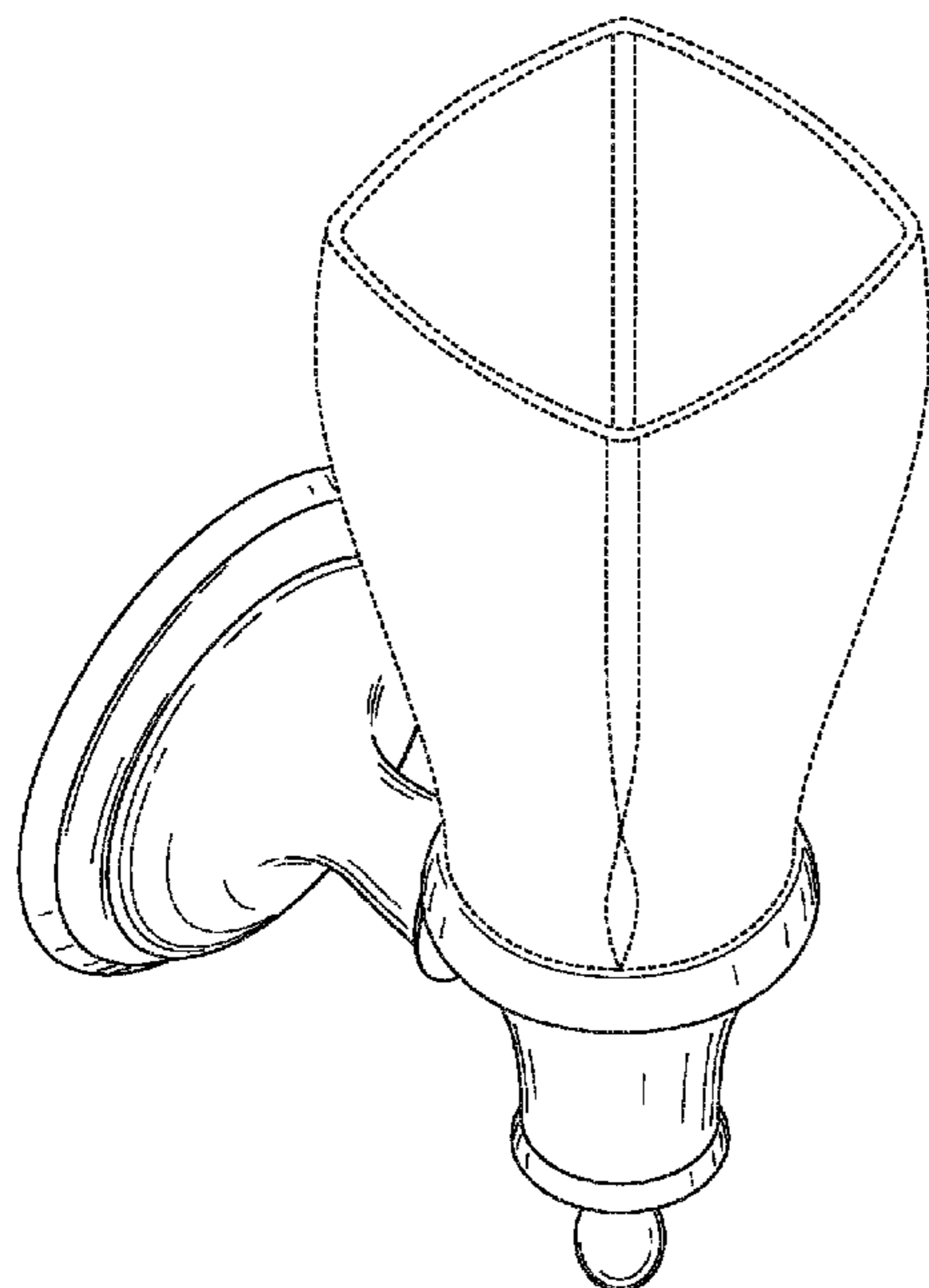
FIG. 4 is a left side elevational view thereof;

FIG. 5 is a bottom plan view thereof; and,

FIG. 6 is a top plan view thereof.

The broken lines in the drawings represent unclaimed portions of the light fixture and form no part of the claimed design.

1 Claim, 5 Drawing Sheets



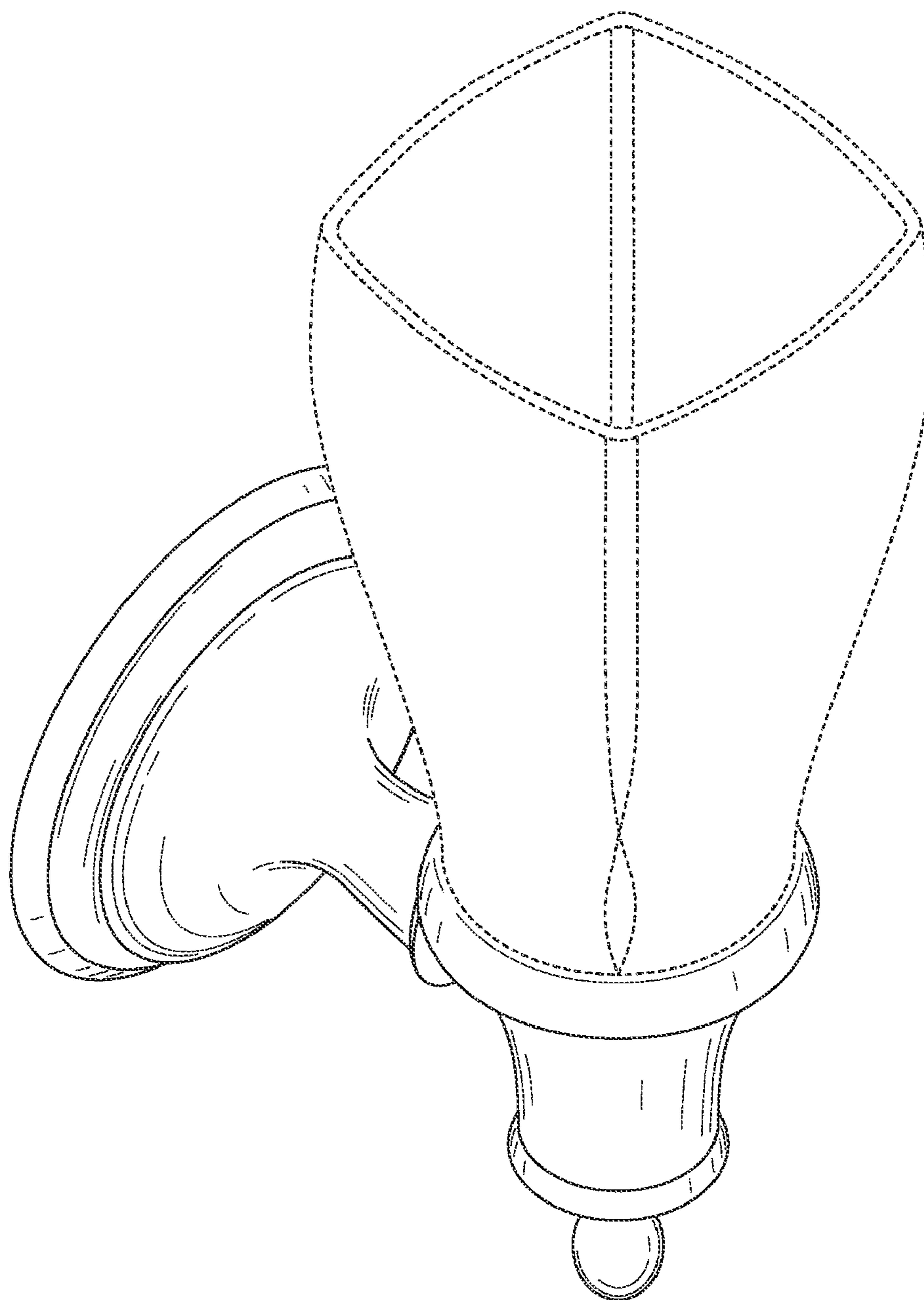


FIG. 1

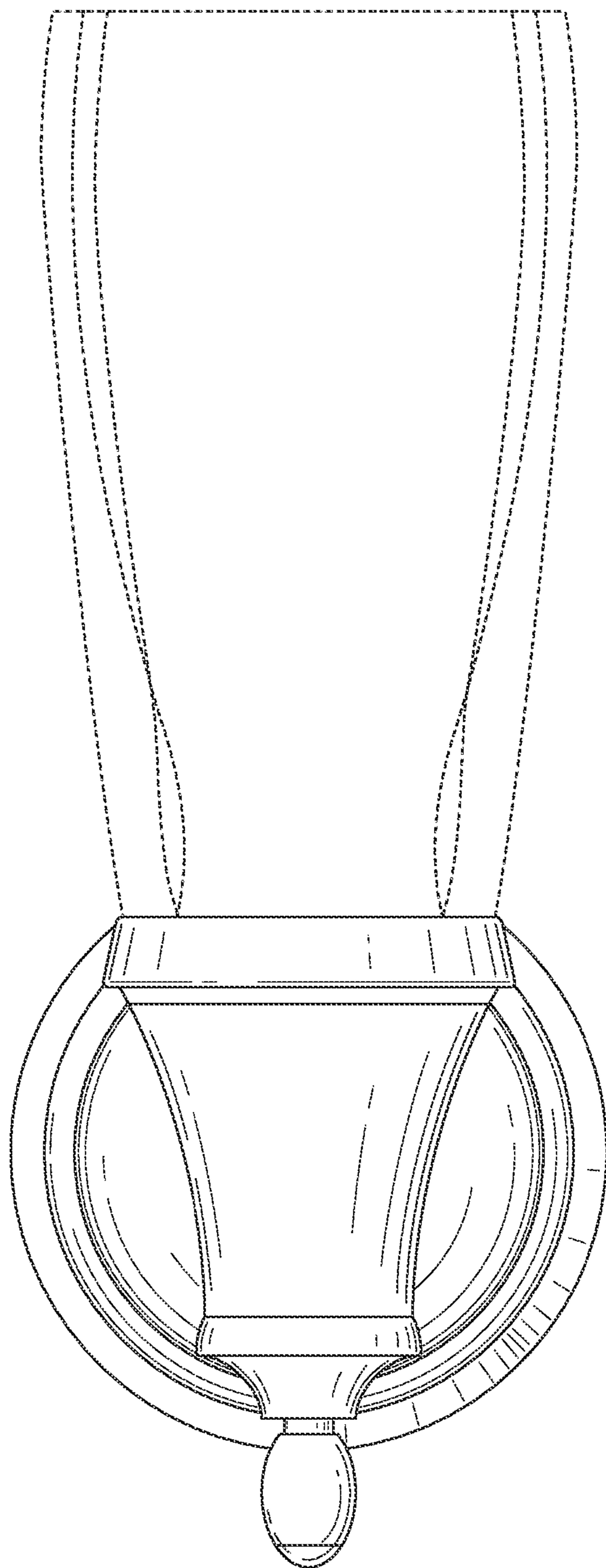


FIG. 2

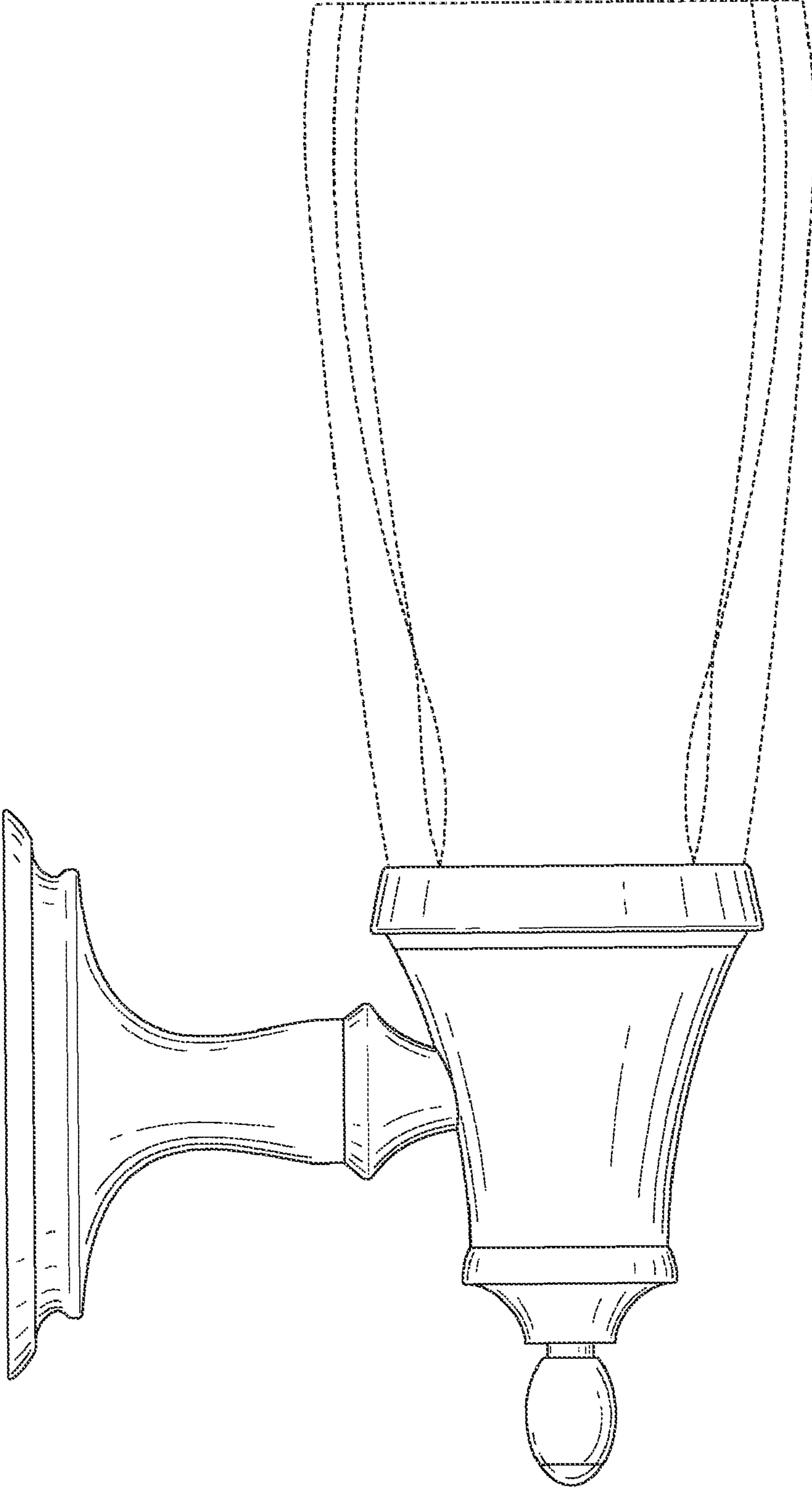


FIG. 3

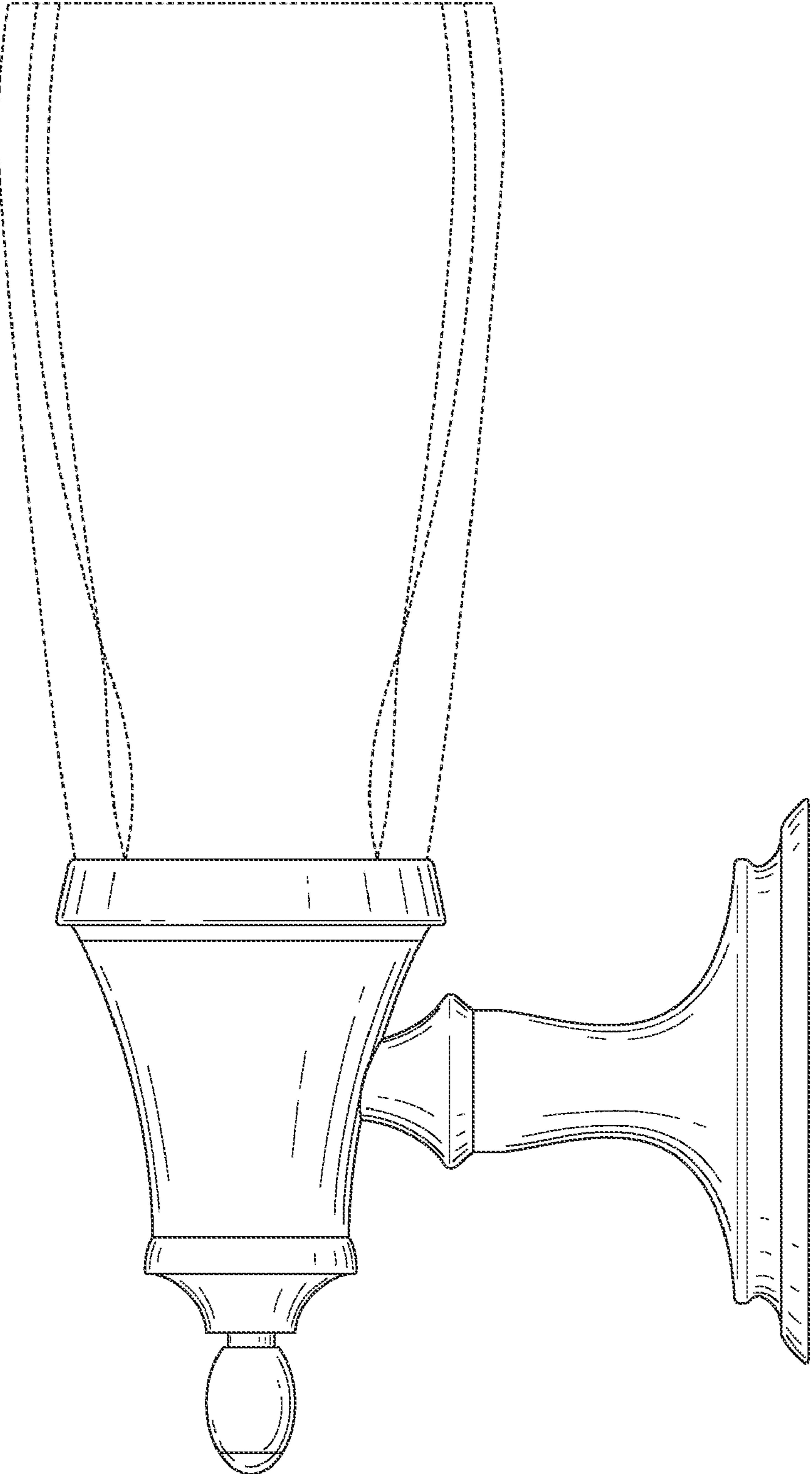


FIG. 4

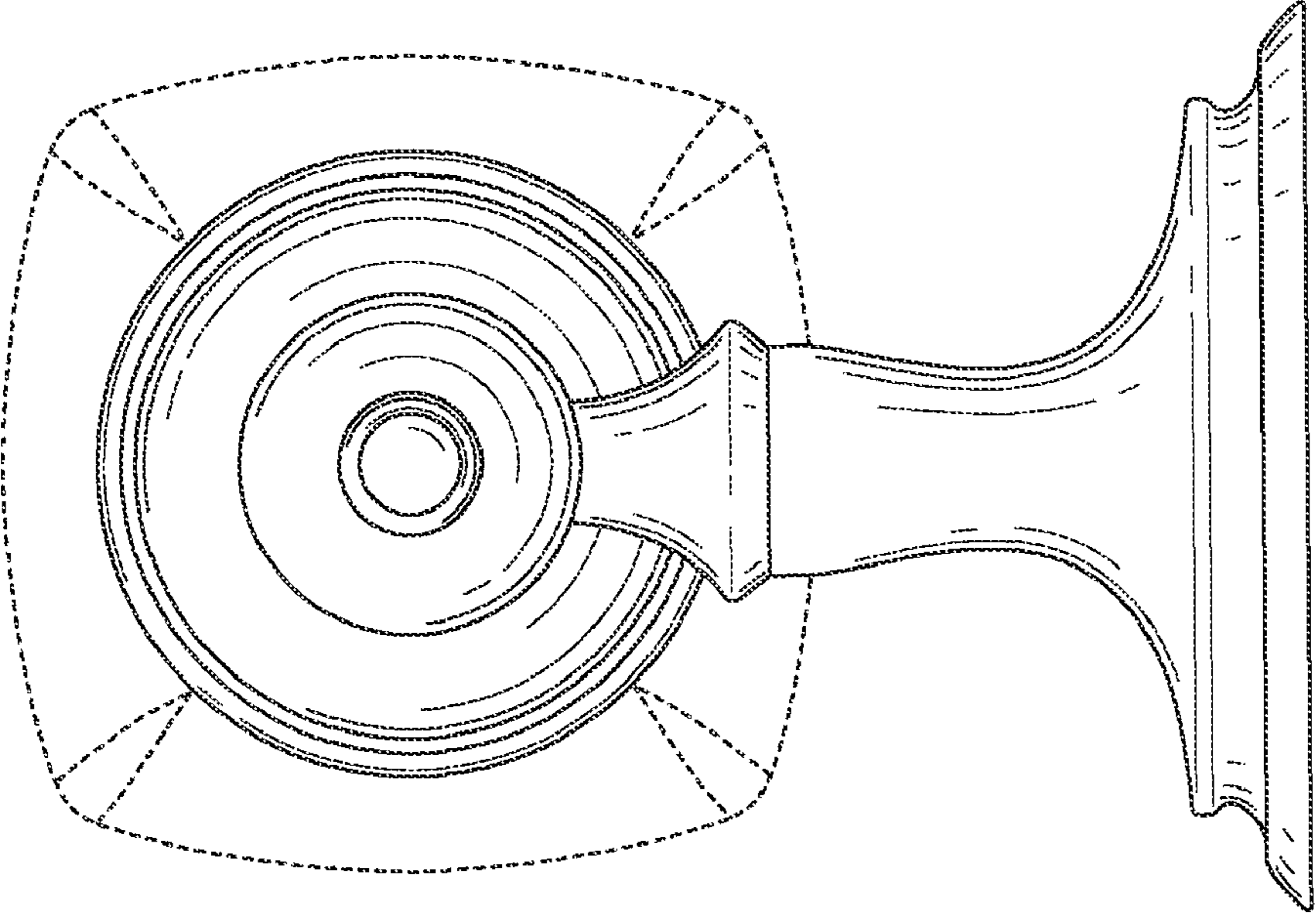


FIG. 5

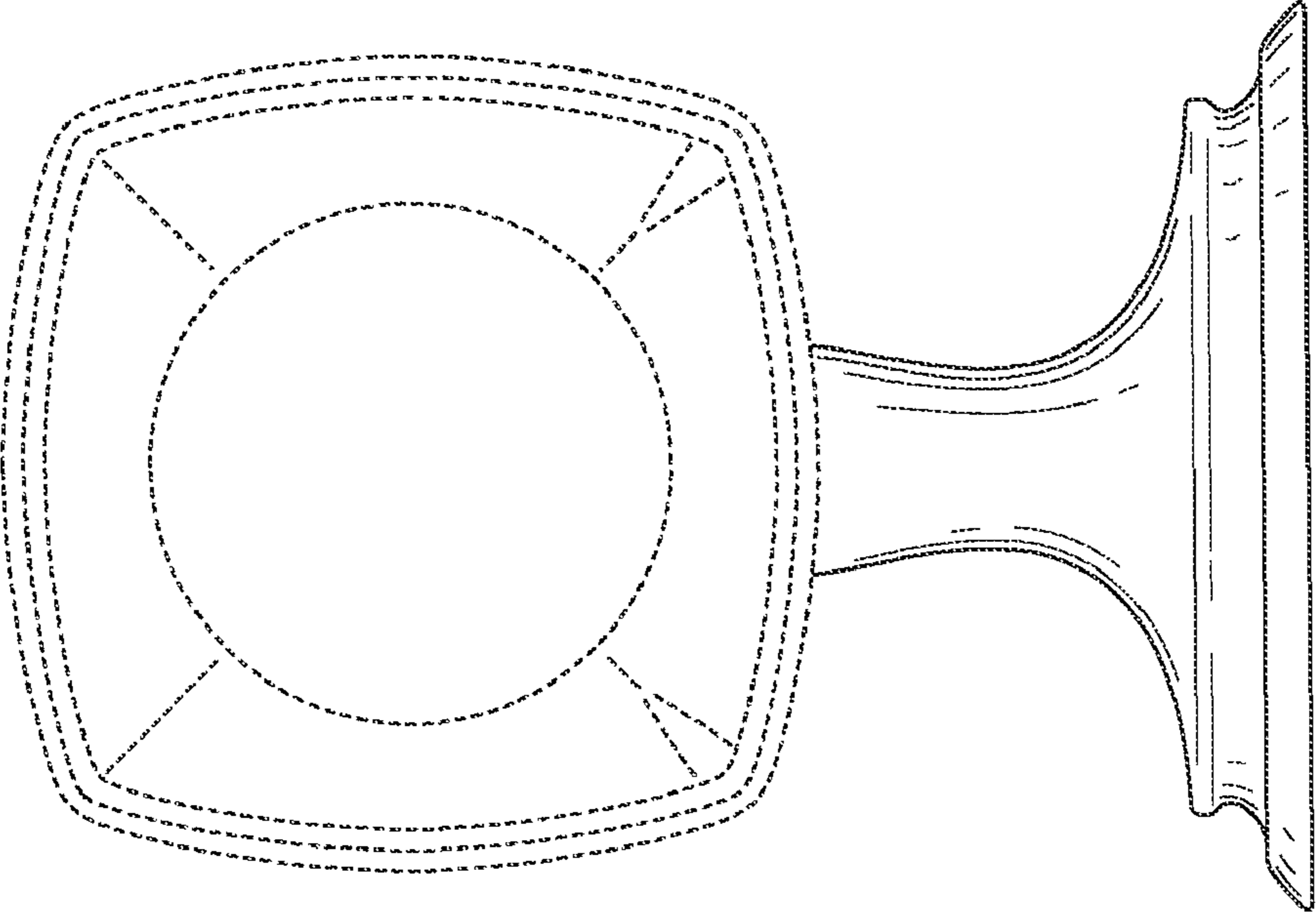


FIG. 6