



US00D624230S

(12) **United States Design Patent**
Lovegrove

(10) **Patent No.:** **US D624,230 S**

(45) **Date of Patent:** **** Sep. 21, 2010**

(54) **LAMP**

(75) Inventor: **Ross Lovegrove**, Milan (IT)

(73) Assignee: **Artemide S.p.A.**, Milan (IT)

(**) Term: **14 Years**

(21) Appl. No.: **29/356,753**

(22) Filed: **Mar. 2, 2010**

Related U.S. Application Data

(62) Division of application No. 29/327,021, filed on Oct. 29, 2008, now Pat. No. Des. 613,448.

(30) **Foreign Application Priority Data**

Apr. 29, 2008 (EM) 926316

(51) **LOC (9) Cl.** **26-03**

(52) **U.S. Cl.** **D26/86; D26/90**

(58) **Field of Classification Search** D26/72,
D26/81-86, 88-91; 362/147, 404-408, 443,
362/457

See application file for complete search history.

(56) **References Cited**

U.S. PATENT DOCUMENTS

D39,286 S 4/1908 Thomas
D46,664 S 11/1914 Cobb
D61,360 S 8/1922 Blackwell
D382,663 S 8/1997 Barry
5,868,490 A 2/1999 Barthelmess
D482,815 S 11/2003 Rugee
6,863,423 B2 3/2005 Stone et al.

D538,460 S 3/2007 Rugee
D541,970 S * 5/2007 Blackman D26/81
D576,336 S 9/2008 Bourotte
D597,243 S * 7/2009 Trumble et al. D26/84
2003/0043580 A1 3/2003 Hsu

OTHER PUBLICATIONS

“Hera” Multi-light Pendant by Trend Lighting. Product #6945 at ModernLightingUniverse.com Downloaded Jun. 16, 2009.

“Larmes” Pendant #E20115-18 shown on p. 65 of the ET2 Lighting 2007 catalog.

“Pearl” Chandelier, “Stone” Pendant, and “Ripple” Chandelier. All 3 from jGood Design, NY NY. © 2009. (3“” pages).

“Snowball” 12 Light Chandelier by Trend Lighting. Product #4374 at ModernLightingUniverse.com. Downloaded Jun. 16, 2009.

* cited by examiner

Primary Examiner—Clare E Heflin

(74) *Attorney, Agent, or Firm*—Ladas and Parry LLP

(57) **CLAIM**

I claim the ornamental design for a lamp, as shown.

DESCRIPTION

FIG. 1 is a perspective view of the lamp showing my new design;

FIG. 2 is a front view thereof;

FIG. 3 is a left side view thereof;

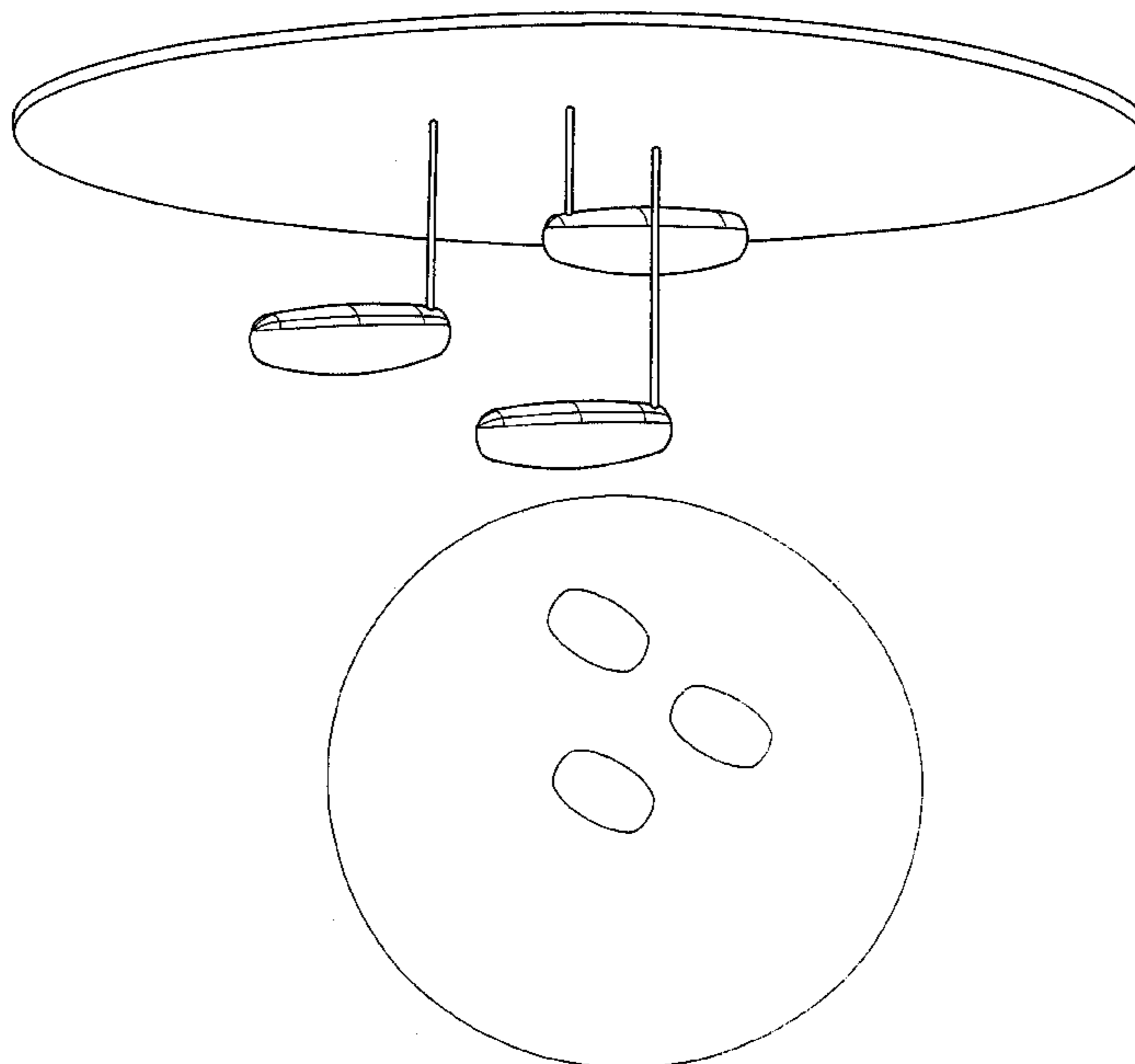
FIG. 4 is a bottom view thereof;

FIG. 5 is a right side view thereof;

FIG. 6 is a top view thereof; and,

FIG. 7 is a rear view thereof.

1 Claim, 3 Drawing Sheets



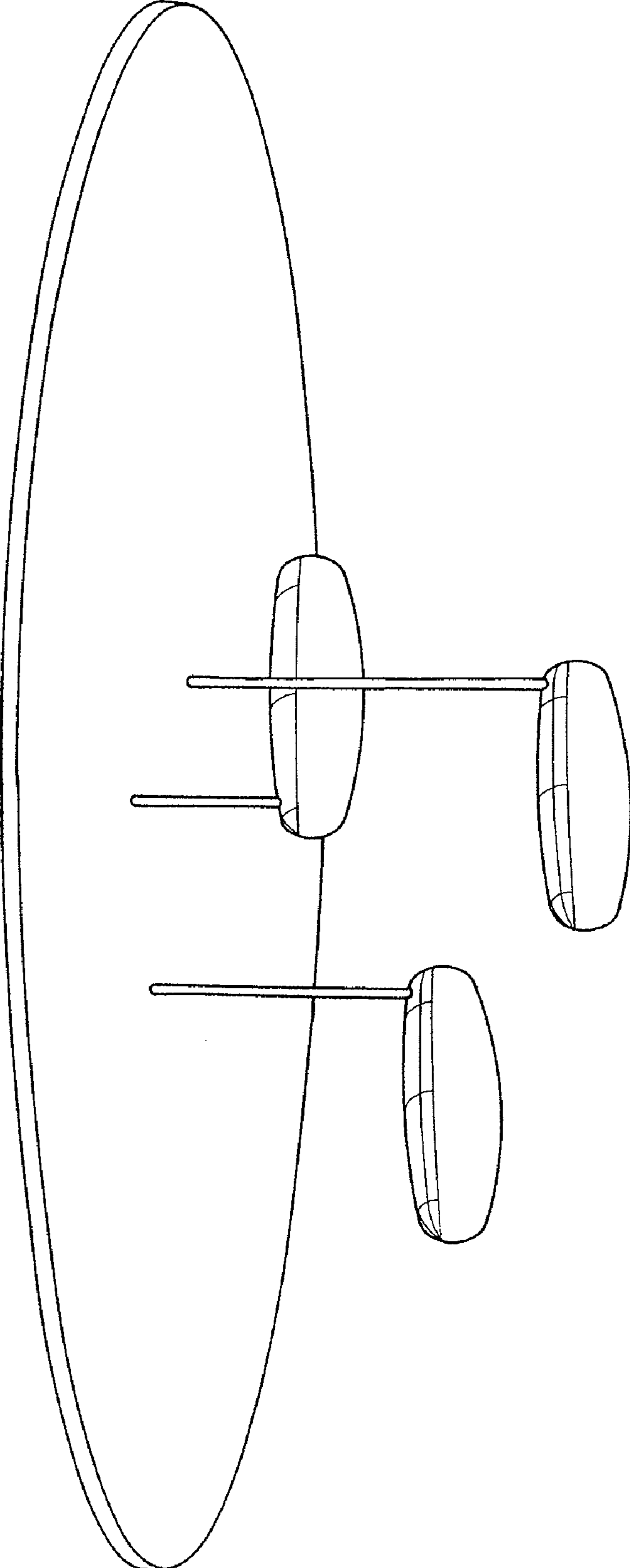


FIG. 1

FIG. 2

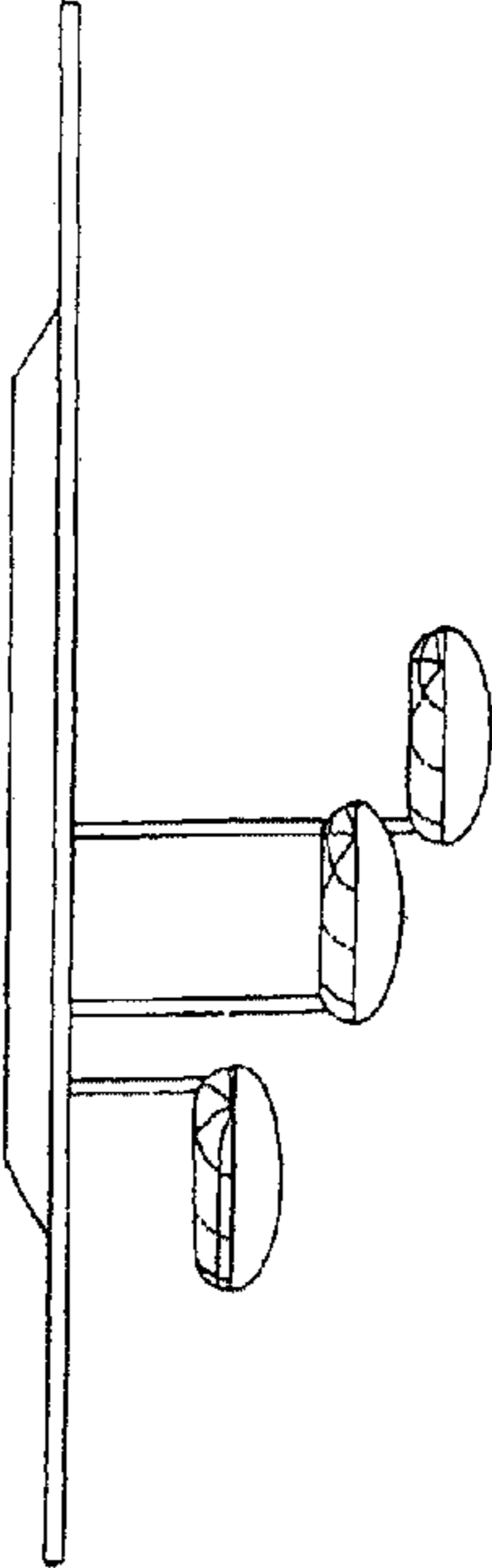


FIG. 3

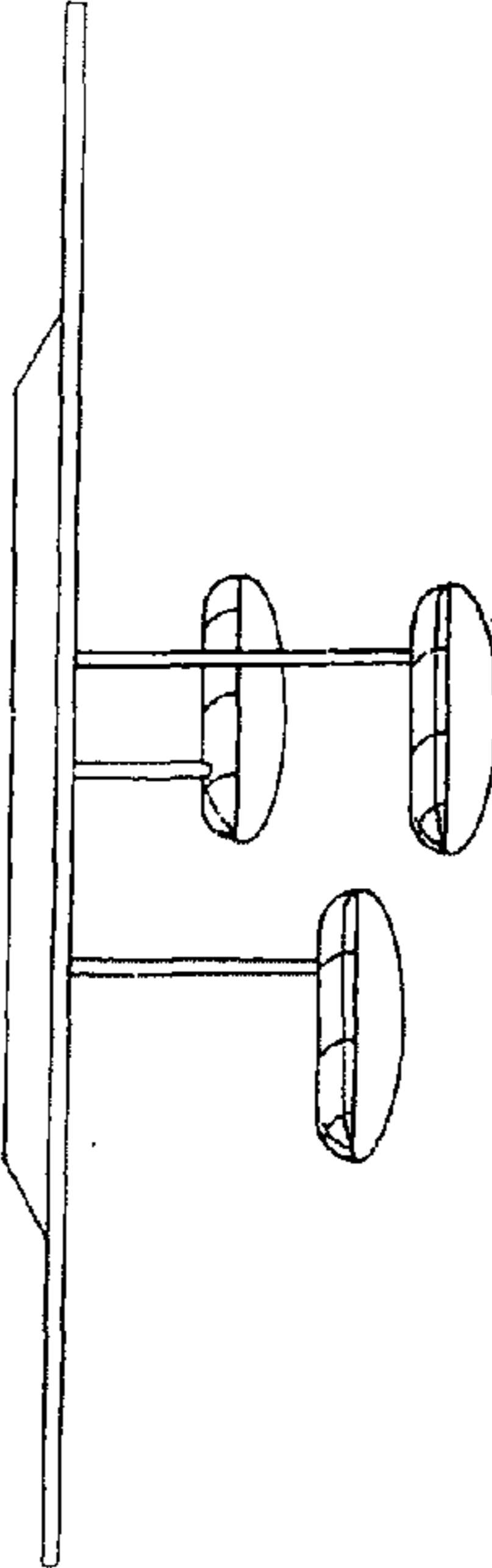


FIG. 4

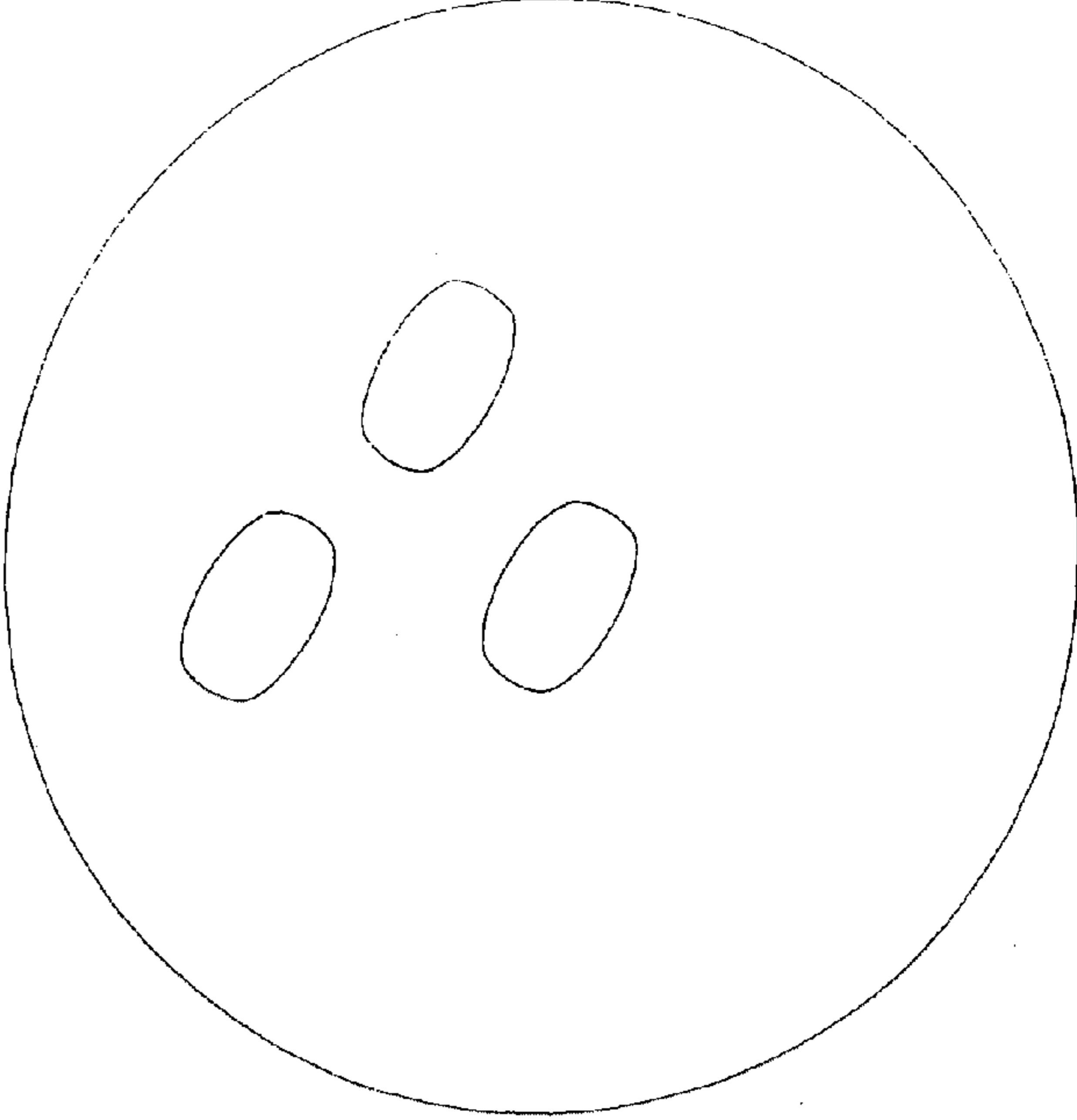


FIG. 5

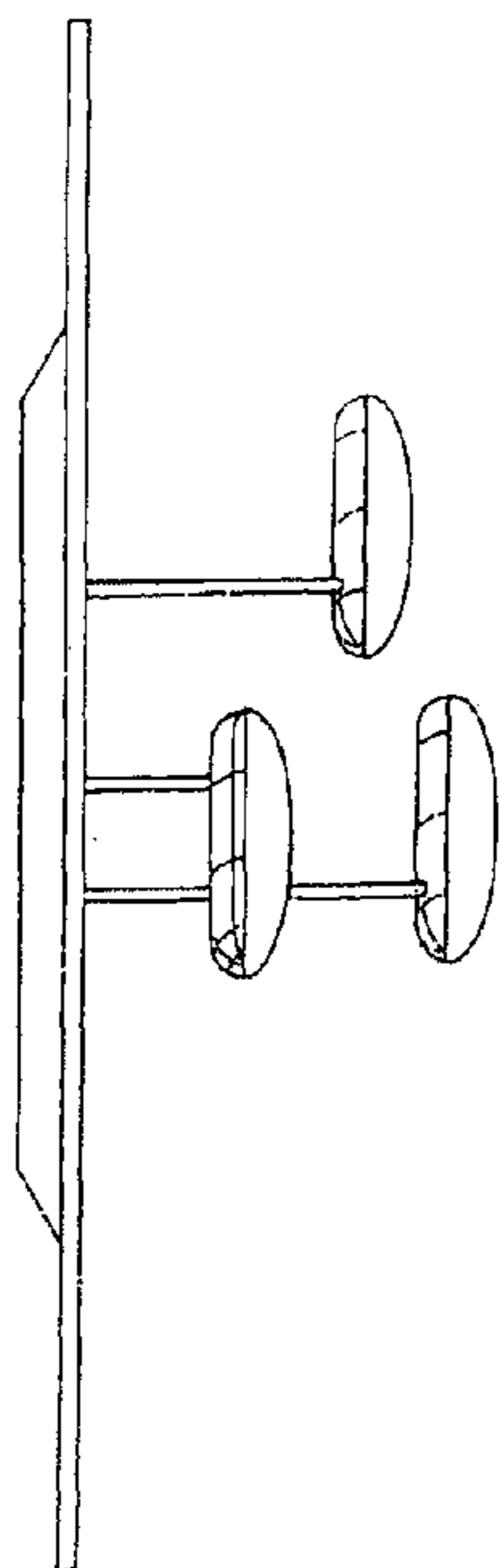


FIG. 7

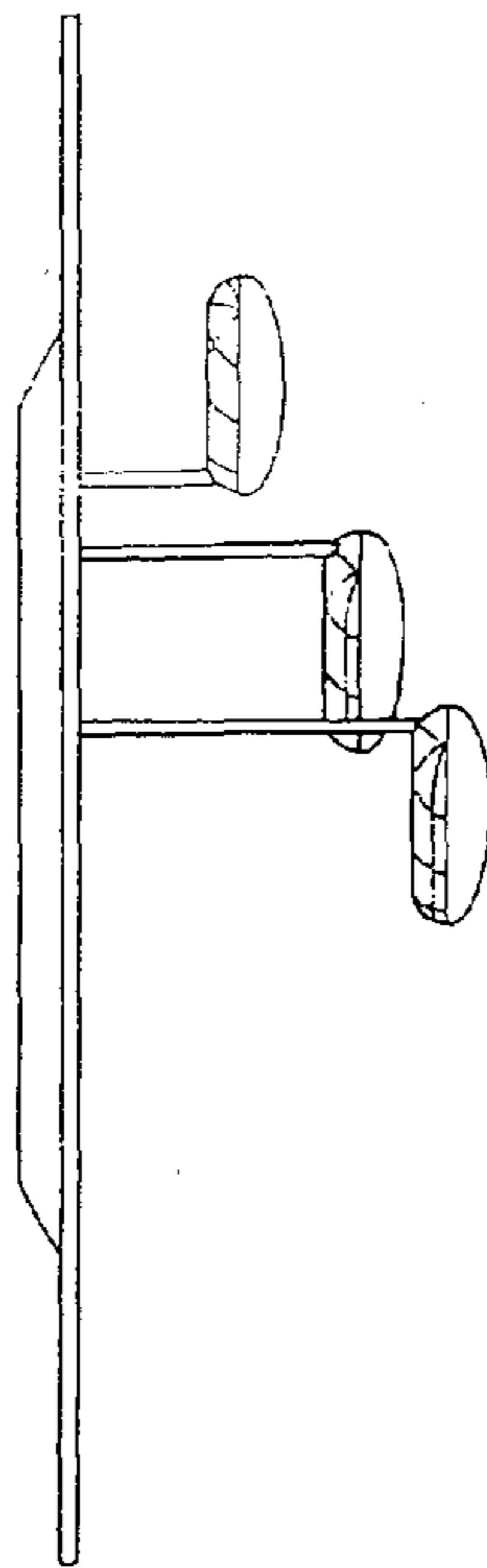


FIG. 6

