



US00D624229S

(12) **United States Design Patent**
Adolph

(10) **Patent No.:** **US D624,229 S**

(45) **Date of Patent:** **** Sep. 21, 2010**

(54) **LIGHT**

(75) Inventor: **Klaus Adolph**, Bonn (DE)

(73) Assignee: **Zumtobel Lighting GmbH**, Dornbirn (AT)

(**) Term: **14 Years**

(21) Appl. No.: **29/334,895**

(22) Filed: **Apr. 3, 2009**

(30) **Foreign Application Priority Data**

Oct. 6, 2008 (EM) 001014443

(51) **LOC (9) Cl.** **26-03**

(52) **U.S. Cl.** **D26/76**

(58) **Field of Classification Search** D26/3,
D26/37, 67, 72, 74-79, 81-92, 118, 120;
362/147, 217-225, 132, 243, 260-263, 267,
362/283, 311, 337, 364, 806; 326/311; D23/372,
D23/328, 385

See application file for complete search history.

(56) **References Cited**

U.S. PATENT DOCUMENTS

D127,379 S *	5/1941	Parisson	D26/76
D172,141 S *	5/1954	Guth	D26/77
2,694,775 A *	11/1954	Florence	362/222
D177,347 S *	4/1956	Oster	D26/76
3,331,958 A *	7/1967	Adler	362/157
3,846,072 A *	11/1974	Patterson	96/222
D291,928 S *	9/1987	Morten	D26/76
D295,086 S *	4/1988	Morten	D26/76
D337,845 S *	7/1993	Belic	D26/76
5,713,657 A *	2/1998	Dearborn	362/147
D441,891 S *	5/2001	Herst et al.	D26/76

D504,190 S *	4/2005	Keller	D26/76
D519,237 S *	4/2006	Kopp	D26/76
D536,819 S *	2/2007	Krahe, II	D26/75
D558,380 S *	12/2007	Starck	D26/76

* cited by examiner

Primary Examiner—Philip S Hyder

Assistant Examiner—Susan E Krakower

(74) *Attorney, Agent, or Firm*—Marshall, Gerstein & Borun LLP; Richard M. LaBarge

(57) **CLAIM**

The ornamental design for a light, as shown and described.

DESCRIPTION

FIG. 1 is a top, end, and side perspective view of a light that has the design.

FIG. 2 is a bottom, end, and side perspective view of the light.

FIG. 3 is a bottom and side perspective view of the light.

FIG. 4 is a top and side perspective view of the light.

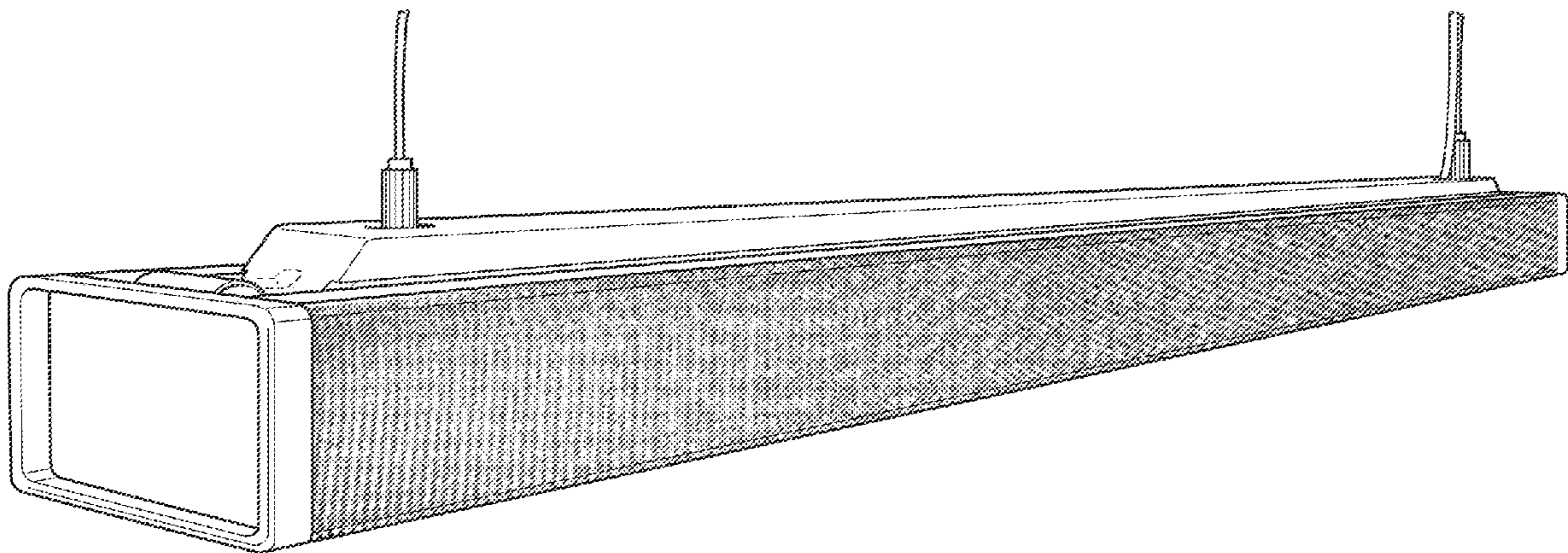
FIG. 5 is front and side perspective view of the light; and,

FIG. 6 is a side perspective view of the light. The opposite side perspective is a mirror image of this view.

The broken line showing of structural elements on the top of the light is for the purpose of illustrating portions of the light and forms no part of the claimed design.

The two longitudinal sides of the light are translucent and emit some light to the side. The panels forming the sidewalls have a structure on the inner side that may create different visual appearances from different directions, and results in the two longitudinal sides of the light appearing less bright than the bottom of the light.

1 Claim, 4 Drawing Sheets



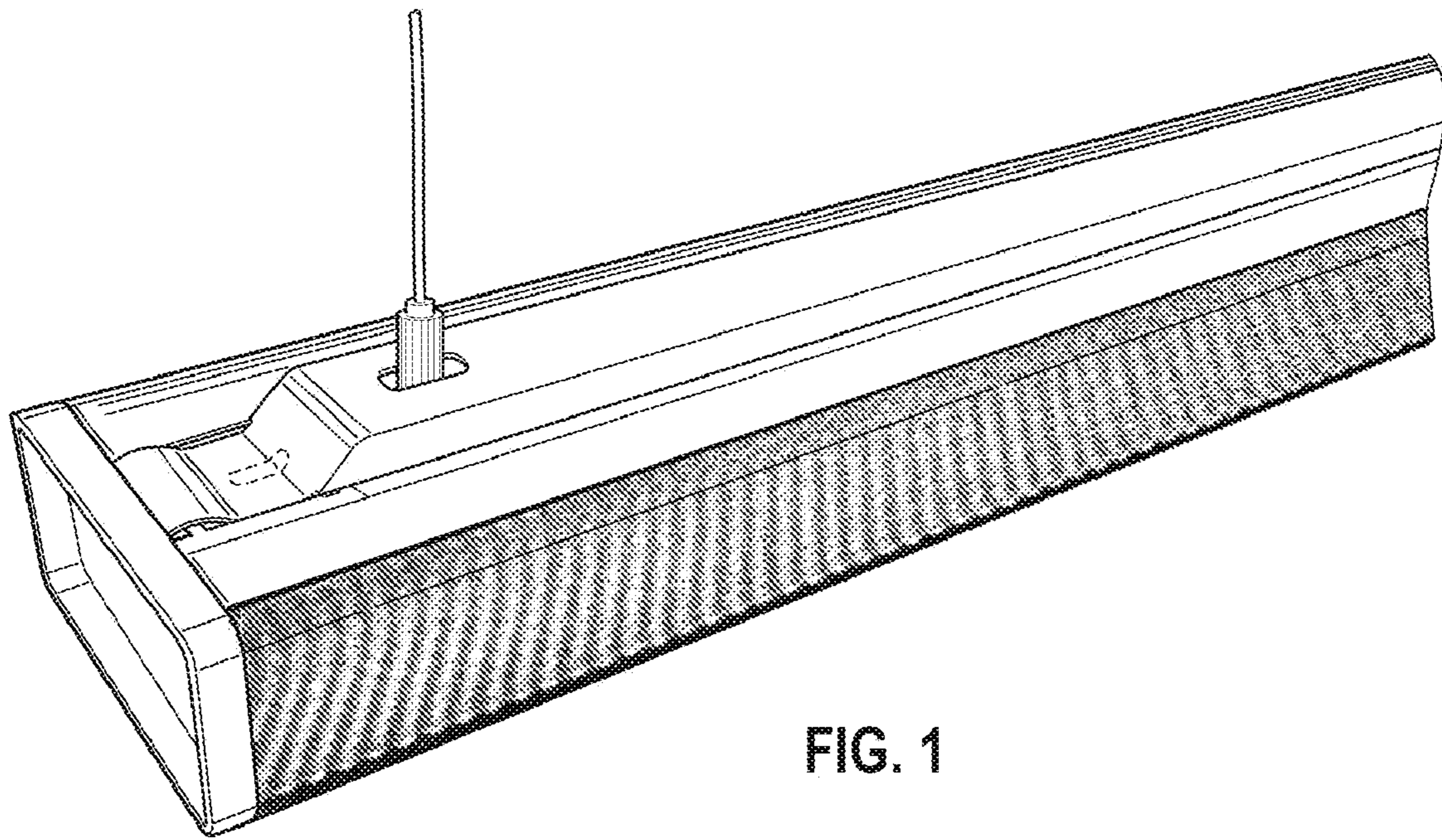


FIG. 1

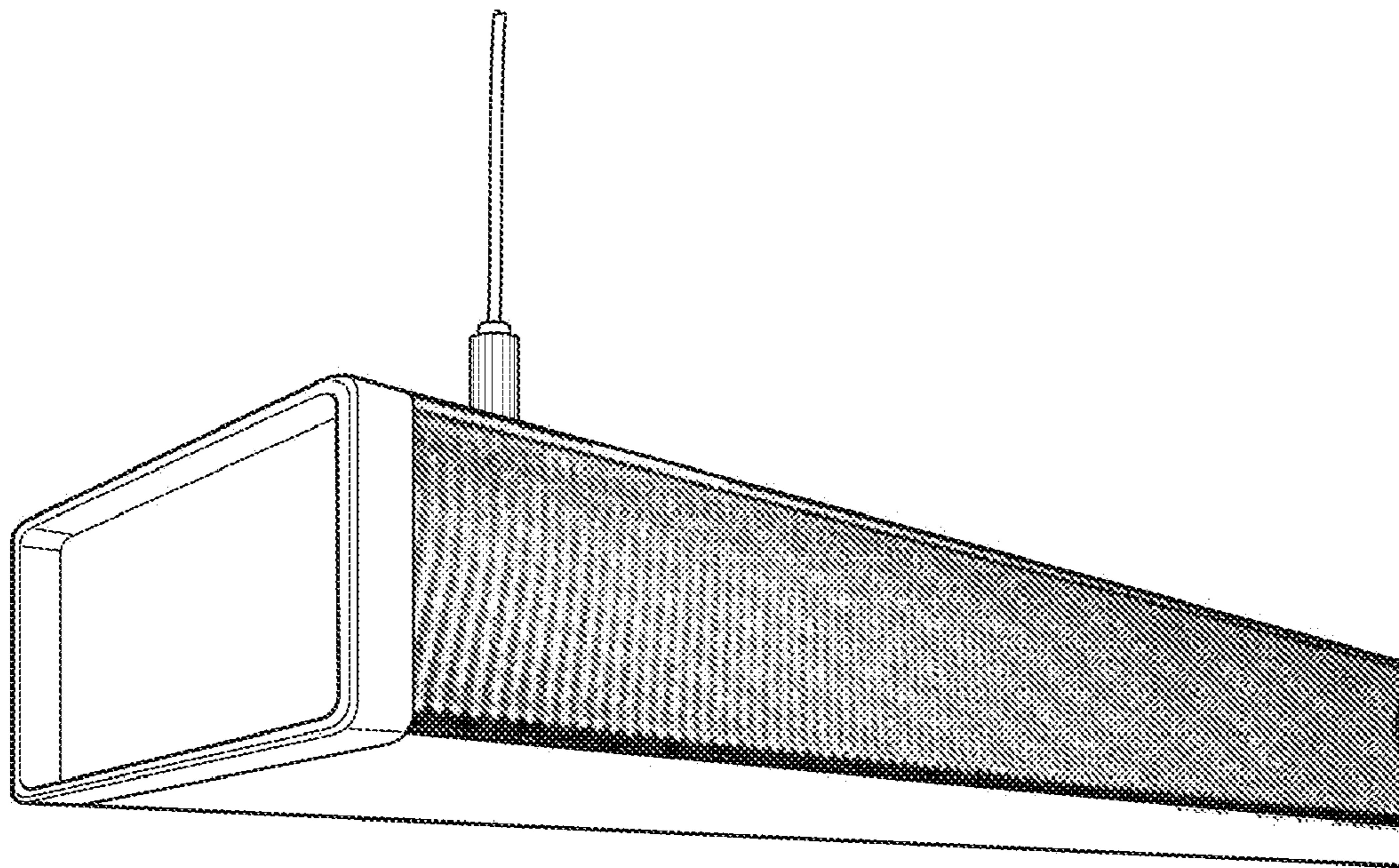


FIG. 2

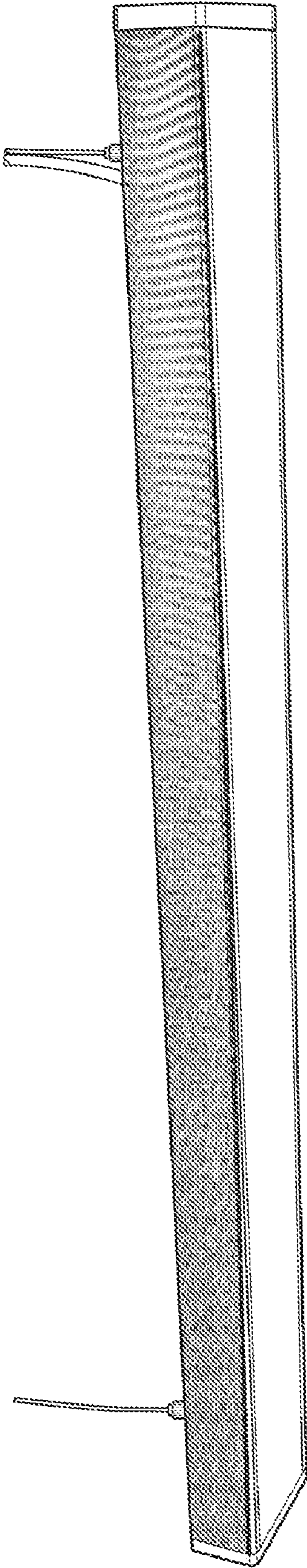


FIG. 3

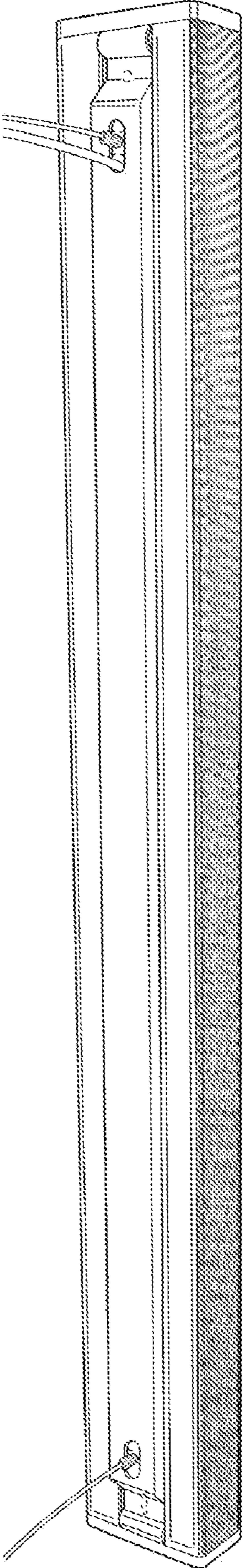


FIG. 4

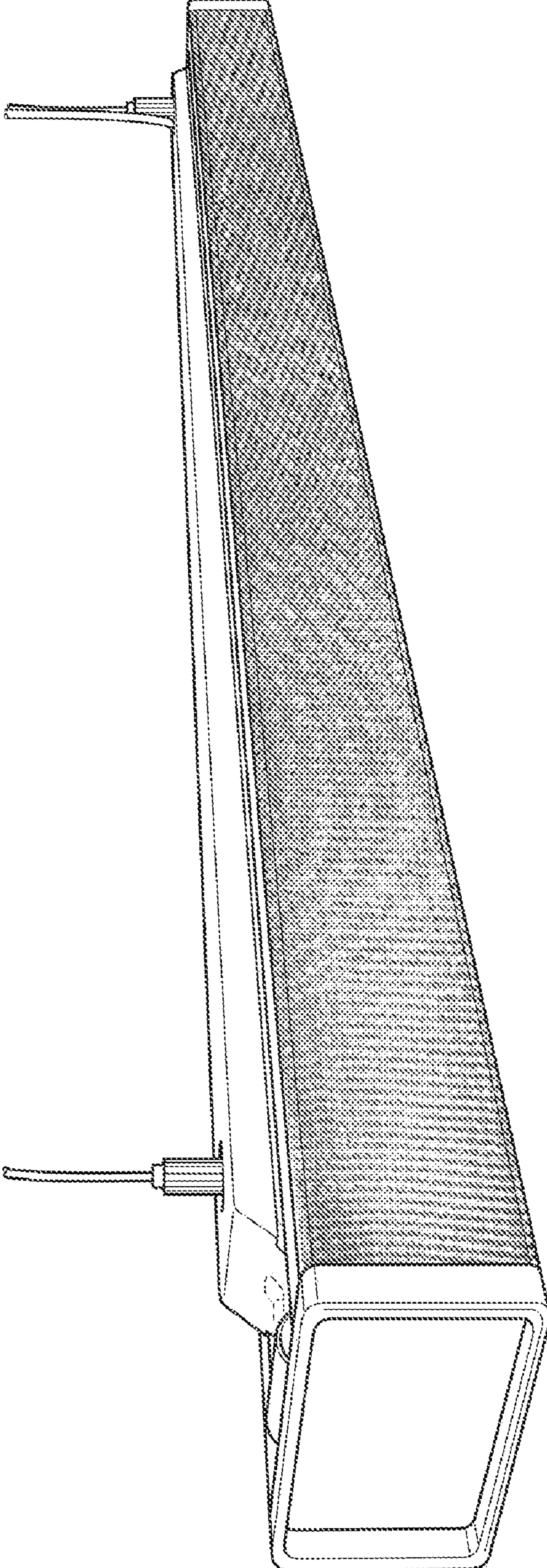


Fig. 5

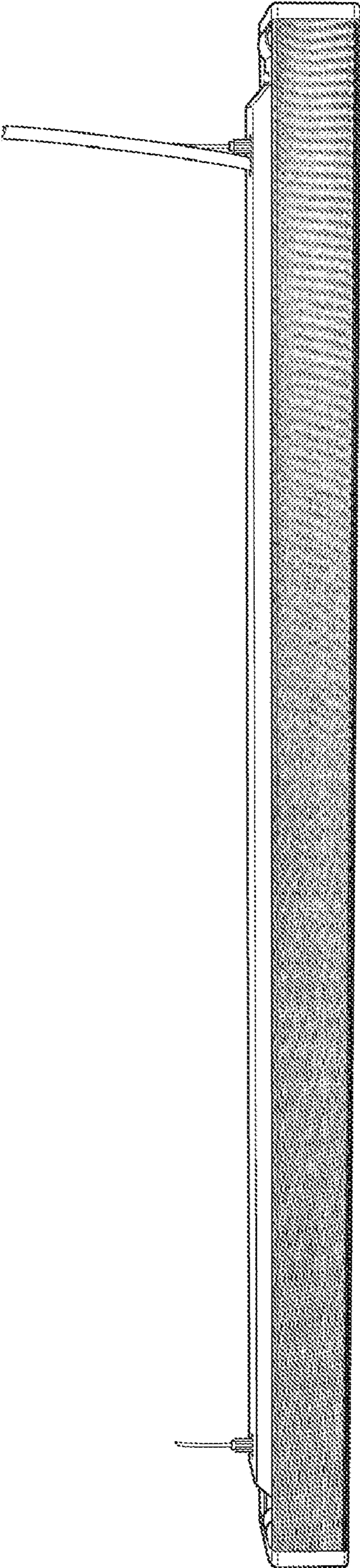


Fig. 6