



US00D624228S

(12) **United States Design Patent**  
**Nankil**

(10) **Patent No.:** **US D624,228 S**

(45) **Date of Patent:** **\*\* Sep. 21, 2010**

(54) **LIGHT FIXTURE HAVING A REFLECTIVE COVER**

4,969,073 A 11/1990 Isenga  
4,969,074 A 11/1990 Davis et al.

(Continued)

(75) Inventor: **Robert R. Nankil**, Buena Park, CA (US)

**FOREIGN PATENT DOCUMENTS**

(73) Assignee: **Hubbell Incorporated**, Shelton, CT (US)

GB D1050722 8/1988

(Continued)

(\*\*) Term: **14 Years**

**OTHER PUBLICATIONS**

(21) Appl. No.: **29/347,032**

Selux Corp., Ritorno Round Asymmetrical Specification, at least as early as Jun. 2008 Selux Catalog, pp. RRA-0105-01 through RRA-0105-04, vol. ss-V3.21, Selux Corp., Highland, NY.

(22) Filed: **Aug. 27, 2009**

(Continued)

**Related U.S. Application Data**

(62) Division of application No. 29/311,043, filed on Dec. 15, 2008, now Pat. No. Des. 601,291.

*Primary Examiner*—Clare E Heflin

(74) *Attorney, Agent, or Firm*—Jenae C. Gureff; Mark S. Bicks; Alfred N. Goodman

(51) **LOC (9) Cl.** ..... **26-05**

(57) **CLAIM**

(52) **U.S. Cl.** ..... **D26/67**

(58) **Field of Classification Search** ..... D26/67-72, D26/85; 362/183, 431, 152-153.1

The ornamental design for a light fixture having a reflective cover, as shown and described.

See application file for complete search history.

(56) **References Cited**

**DESCRIPTION**

**U.S. PATENT DOCUMENTS**

543,730 A	7/1895	Heap
D191,128 S	8/1961	Curtin
D199,802 S	12/1964	Turner
D200,214 S	2/1965	Simon
3,805,055 A	4/1974	Cassey
3,833,804 A	9/1974	Vesely
D264,136 S	4/1982	Castiglioni
D284,223 S	6/1986	Harvey
D296,369 S	6/1988	Harvey
D302,333 S	7/1989	Mason

FIG. 1 is a top plan view of a light fixture having a reflective cover in accordance with the present invention;

FIG. 2 is a top perspective view of the light fixture thereof;

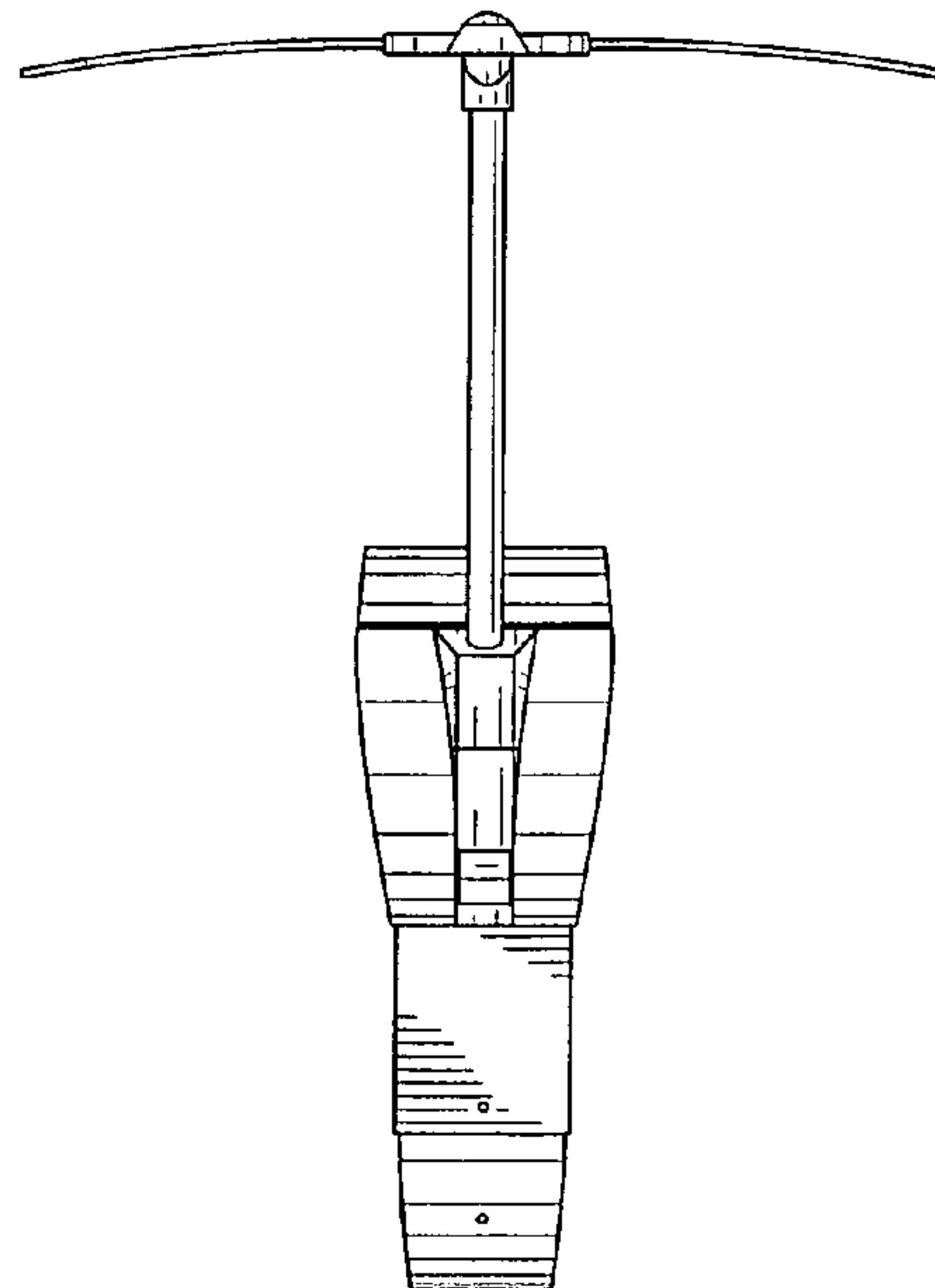
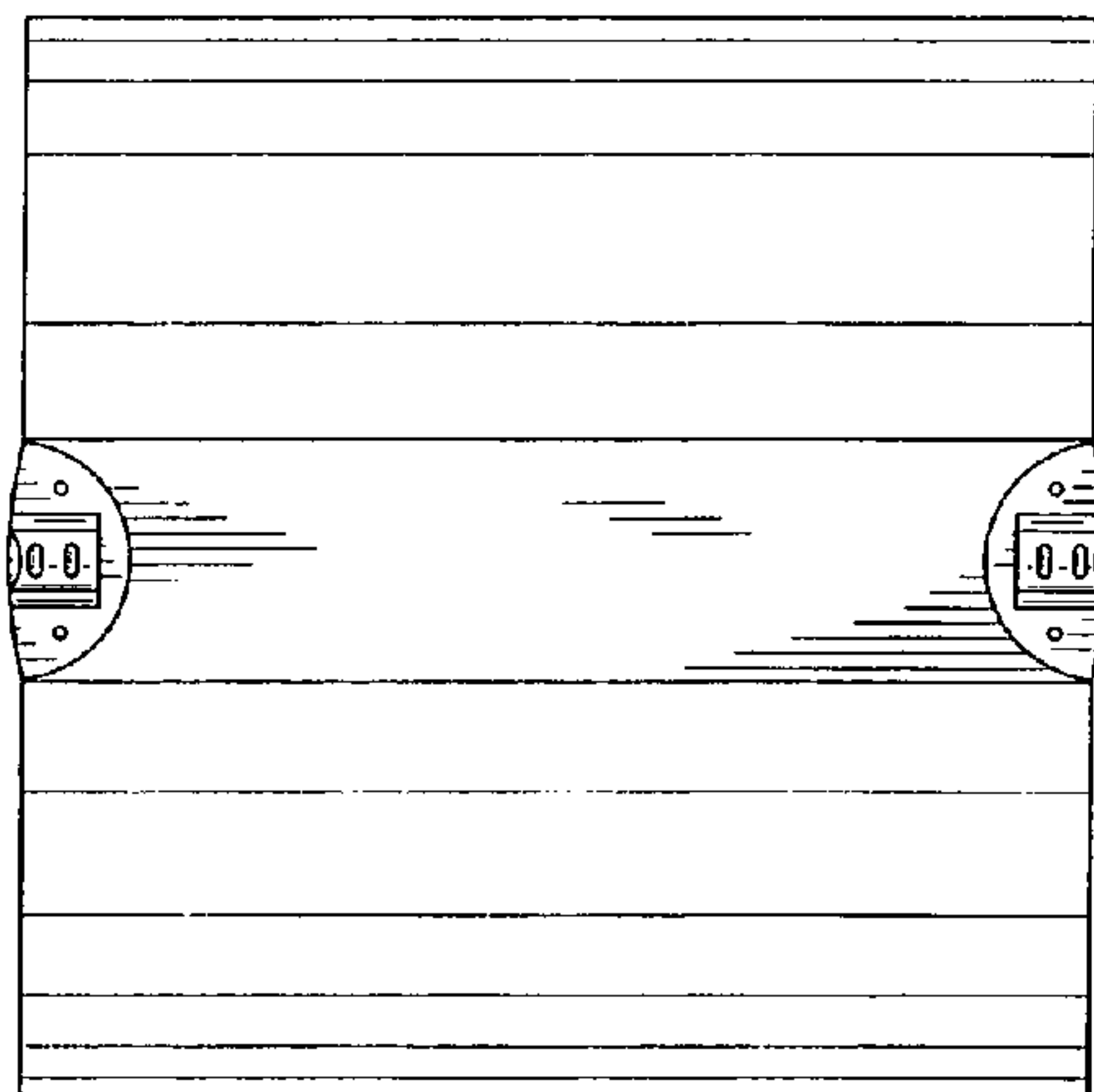
FIG. 3 is a front elevational view of the light fixture thereof;

FIG. 4 is a left side elevational view of the light fixture thereof, the right side elevational view being the mirror image thereof;

FIG. 5 is a bottom plan view of the light fixture thereof; and,

FIG. 6 is a bottom perspective view of the light fixture thereof.

**1 Claim, 3 Drawing Sheets**



# US D624,228 S

Page 2

---

## U.S. PATENT DOCUMENTS

5,105,347 A 4/1992 Ruud et al.  
5,134,550 A 7/1992 Young  
D344,359 S 2/1994 Matos  
5,384,694 A 1/1995 Yang  
5,402,327 A 3/1995 Gordin et al.  
D391,666 S 3/1998 Lavy  
D427,350 S 6/2000 Landefeld  
D436,211 S 1/2001 Neeld et al.  
D468,478 S 1/2003 Landefeld et al.  
6,533,446 B2 3/2003 Chen et al.  
D500,573 S 1/2005 Emory et al.  
D506,281 S 6/2005 Randazzo et al.  
D515,231 S 2/2006 Randazzo et al.

D517,233 S 3/2006 Doppelt  
D565,225 S 3/2008 Haugaard et al.  
D601,291 S \* 9/2009 Nankil ..... D26/67

## FOREIGN PATENT DOCUMENTS

GB D2047164 8/1995  
GB D2101128 4/2001

## OTHER PUBLICATIONS

Bega/US, Pole Mounted Luminaires with Totally Indirect Optical System, Bega Catalog, Jun. 2002, Bega/US, Carpinteria, CA.  
Hess America, Faro, Campo, Aviano Lighting Fixtures, at least as early as Jun. 2008 Hess America Catalog, Hess America, USA.

\* cited by examiner

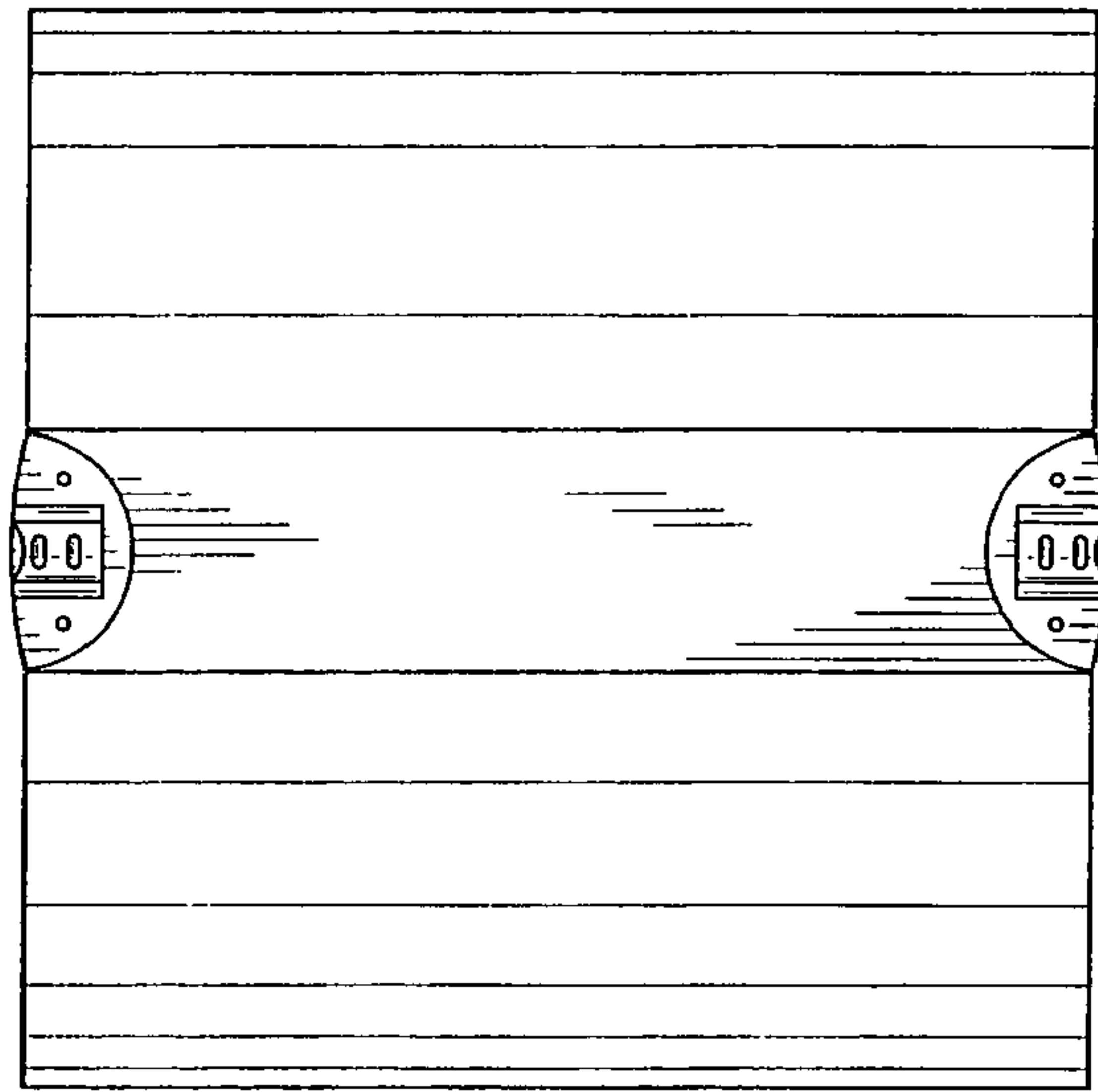


FIG. 1

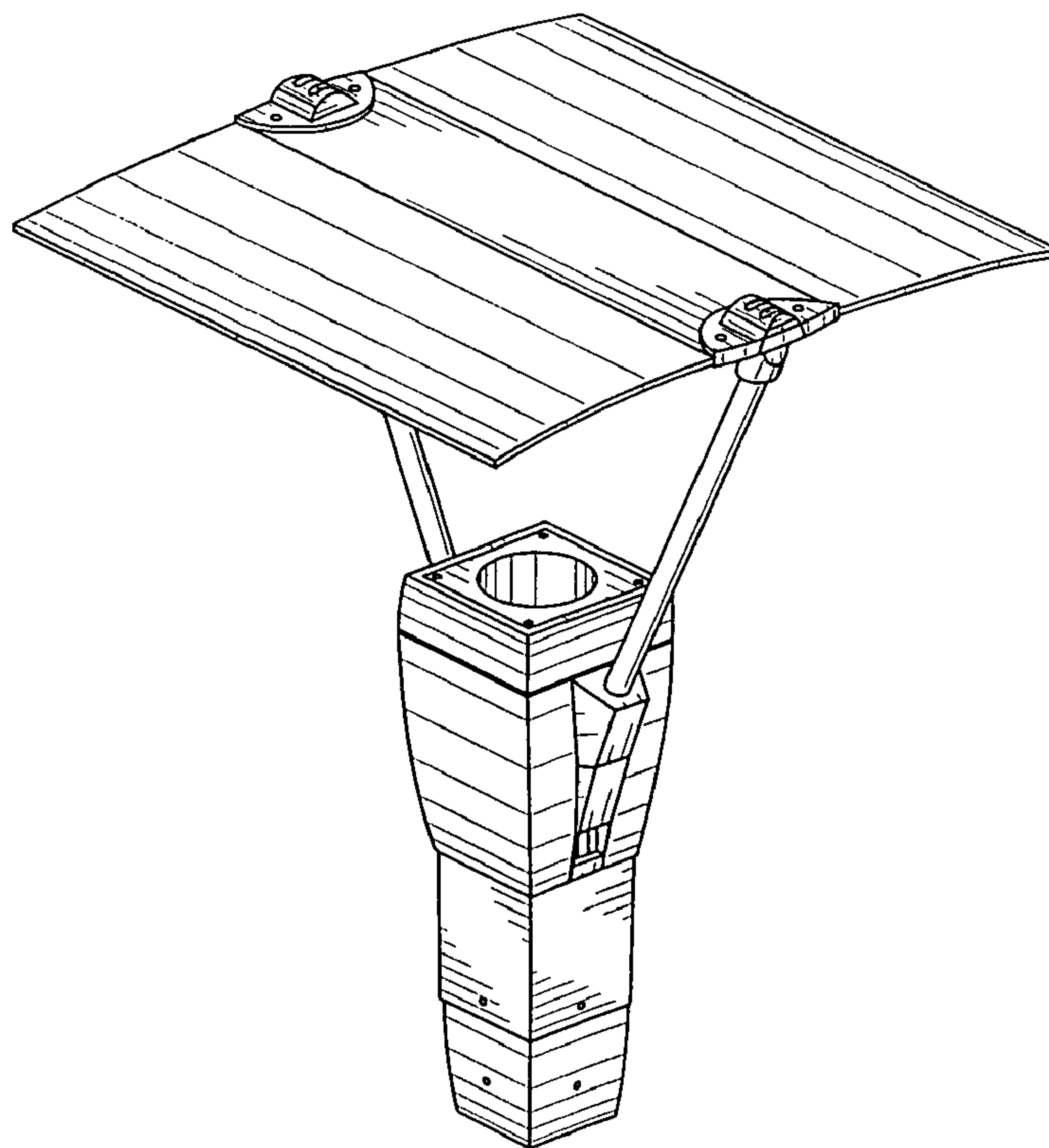


FIG. 2

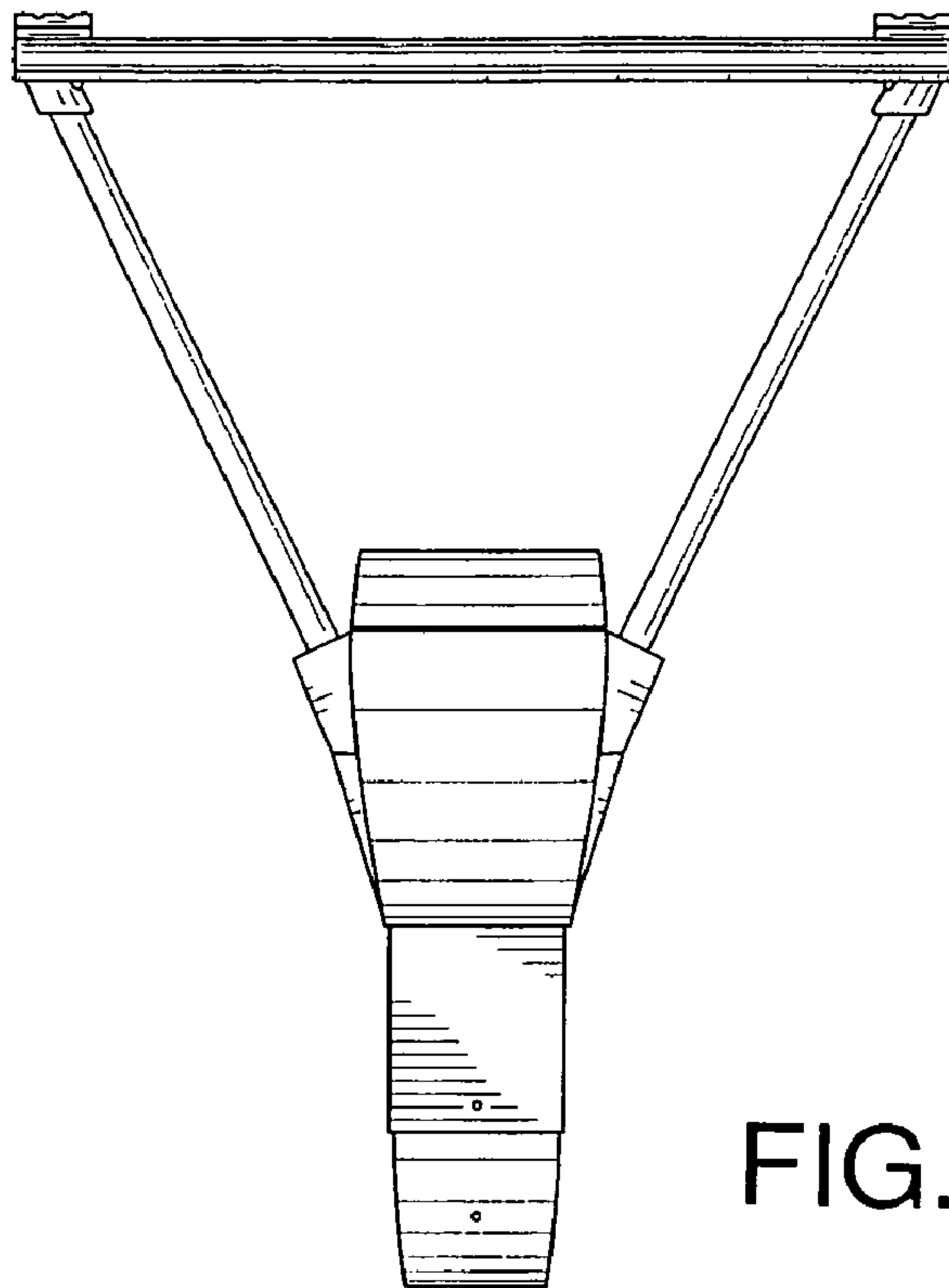


FIG. 3

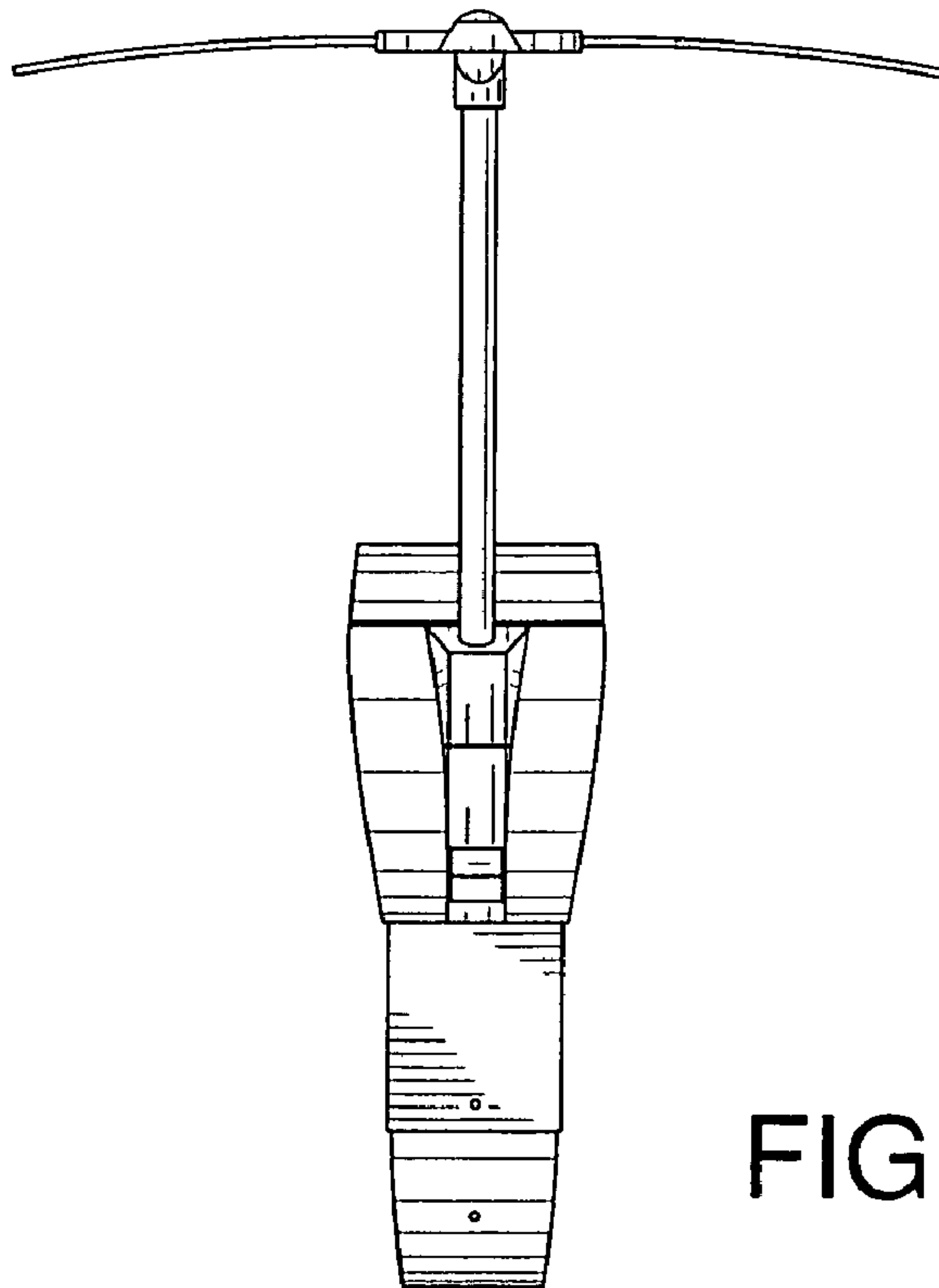


FIG. 4

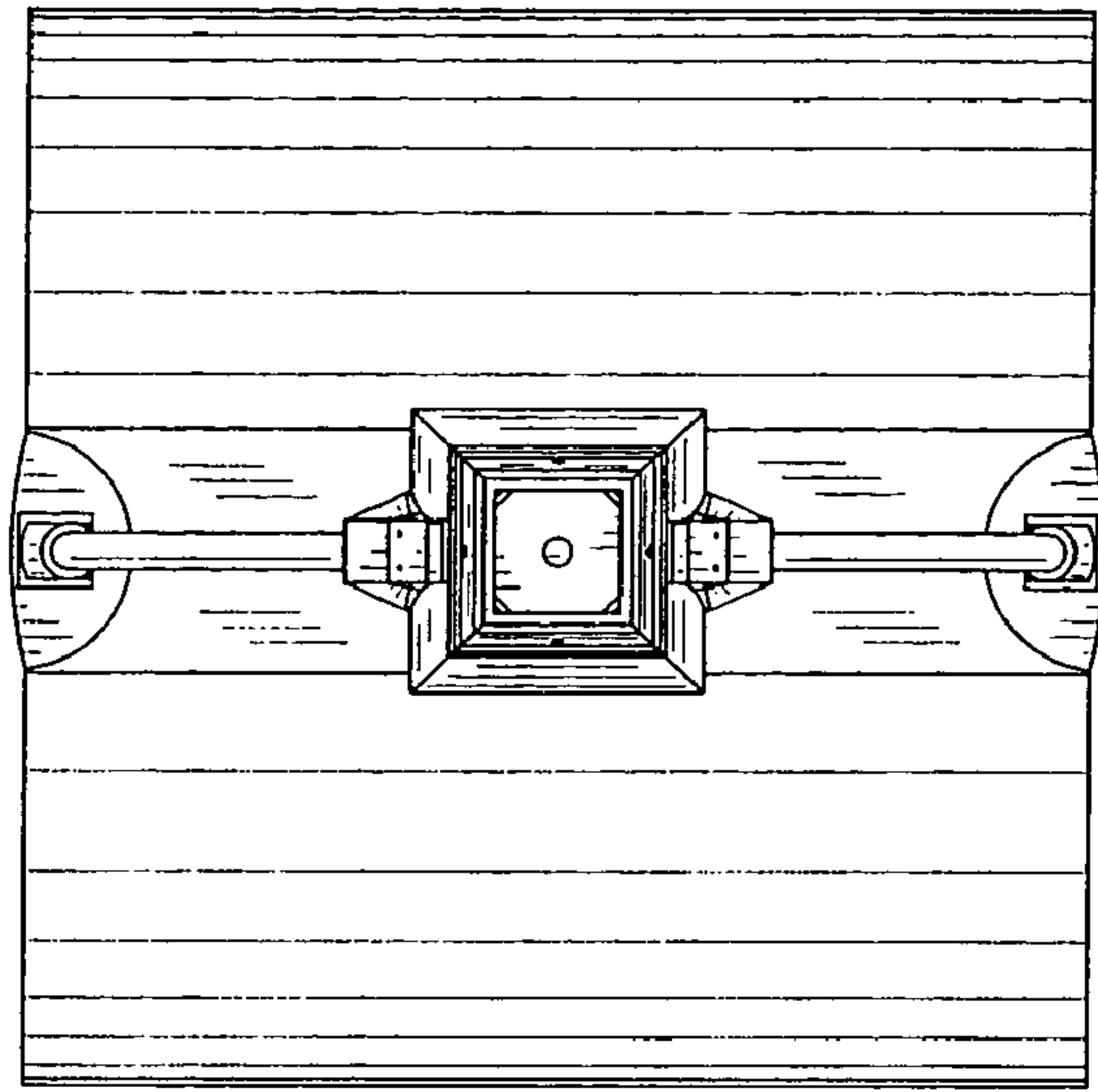


FIG. 5

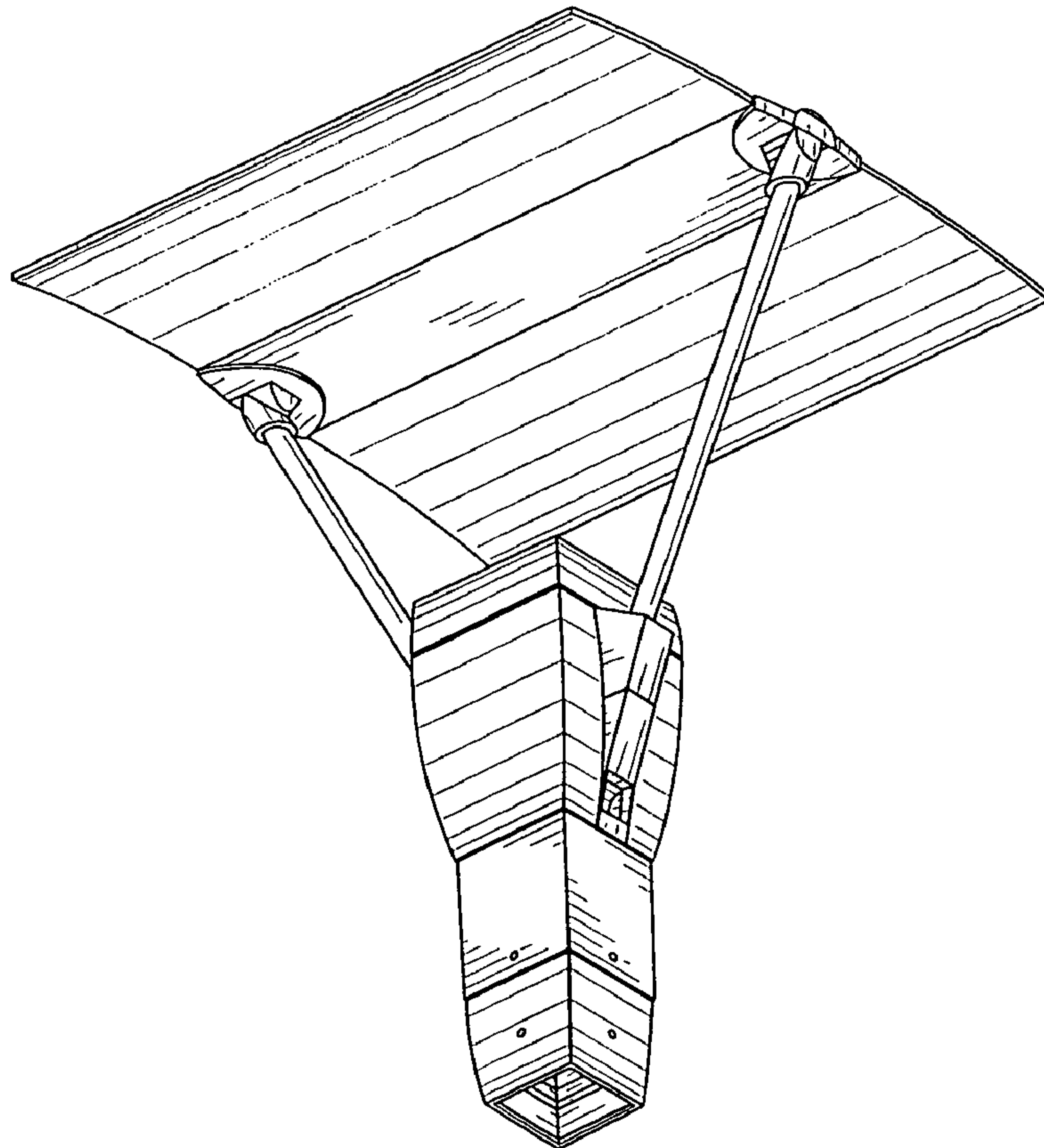


FIG. 6