



US00D624227S

(12) **United States Design Patent Grant**

(10) **Patent No.:** **US D624,227 S**

(45) **Date of Patent:** **** Sep. 21, 2010**

(54) **LIGHTED POST CAP**

(75) Inventor: **Darcey Grant**, Kingsville (CA)

(73) Assignee: **Classy Caps Mfg, Inc.**, Kingsville, Ontario (CA)

(**) Term: **14 Years**

(21) Appl. No.: **29/334,038**

(22) Filed: **Mar. 19, 2009**

(51) **LOC (9) Cl.** **26-05**

(52) **U.S. Cl.** **D26/67; D25/135**

(58) **Field of Classification Search** D26/67, D26/68, 85-92, 118, 128; 362/146, 147, 362/152, 153, 153.1, 363, 404-408, 431, 362/432; D25/135

See application file for complete search history.

(56) **References Cited**

U.S. PATENT DOCUMENTS

164,979 A	6/1875	Davenport	
D186,379 S	10/1959	Ross	
3,256,659 A	6/1966	Dudoff	
3,506,243 A	4/1970	Seiler	
D248,594 S	7/1978	Tirsbier	
4,703,403 A	10/1987	Smith et al.	
4,722,514 A	2/1988	Pettit	
D316,452 S	4/1991	Kira	
D316,458 S *	4/1991	Spotts et al.	D26/67
D326,728 S *	6/1992	Layne	D26/67
D377,229 S	1/1997	Shalvi	
5,853,167 A	12/1998	West et al.	
5,934,035 A	8/1999	Rasmussen et al.	
D425,173 S	5/2000	Landefeld	
D435,309 S	12/2000	Landefeld	
6,328,457 B1	12/2001	Huang	
6,330,998 B1	12/2001	Roy	
D453,583 S *	2/2002	Shimada	D26/154
D460,570 S	7/2002	Grant	

6,581,335 B2 *	6/2003	Grant	52/28
D494,699 S *	8/2004	Hon et al.	D26/67
D495,083 S *	8/2004	Lam	D26/67
D509,915 S	9/2005	Rosian	
D574,536 S *	8/2008	Sanoner	D26/67
D580,581 S *	11/2008	Grant	D26/68
D616,134 S *	5/2010	Grant	D26/68

* cited by examiner

Primary Examiner—Clare E Heflin

(74) *Attorney, Agent, or Firm*—Harness, Dickey & Pierce, P.L.C.

(57) **CLAIM**

The ornamental design for the lighted post cap, as shown and described.

DESCRIPTION

FIG. 1 is a perspective view of a lighted post cap in accordance with the present invention configured to fit on a standard 2.5" square post;

FIG. 2 is a side elevational view of the present invention, the remaining three elevational views being identical to that shown in FIG. 2;

FIG. 3 is a top plan view of the present invention;

FIG. 4 is a bottom plan view of the present invention, portions not shown in this view form no part of the claimed invention;

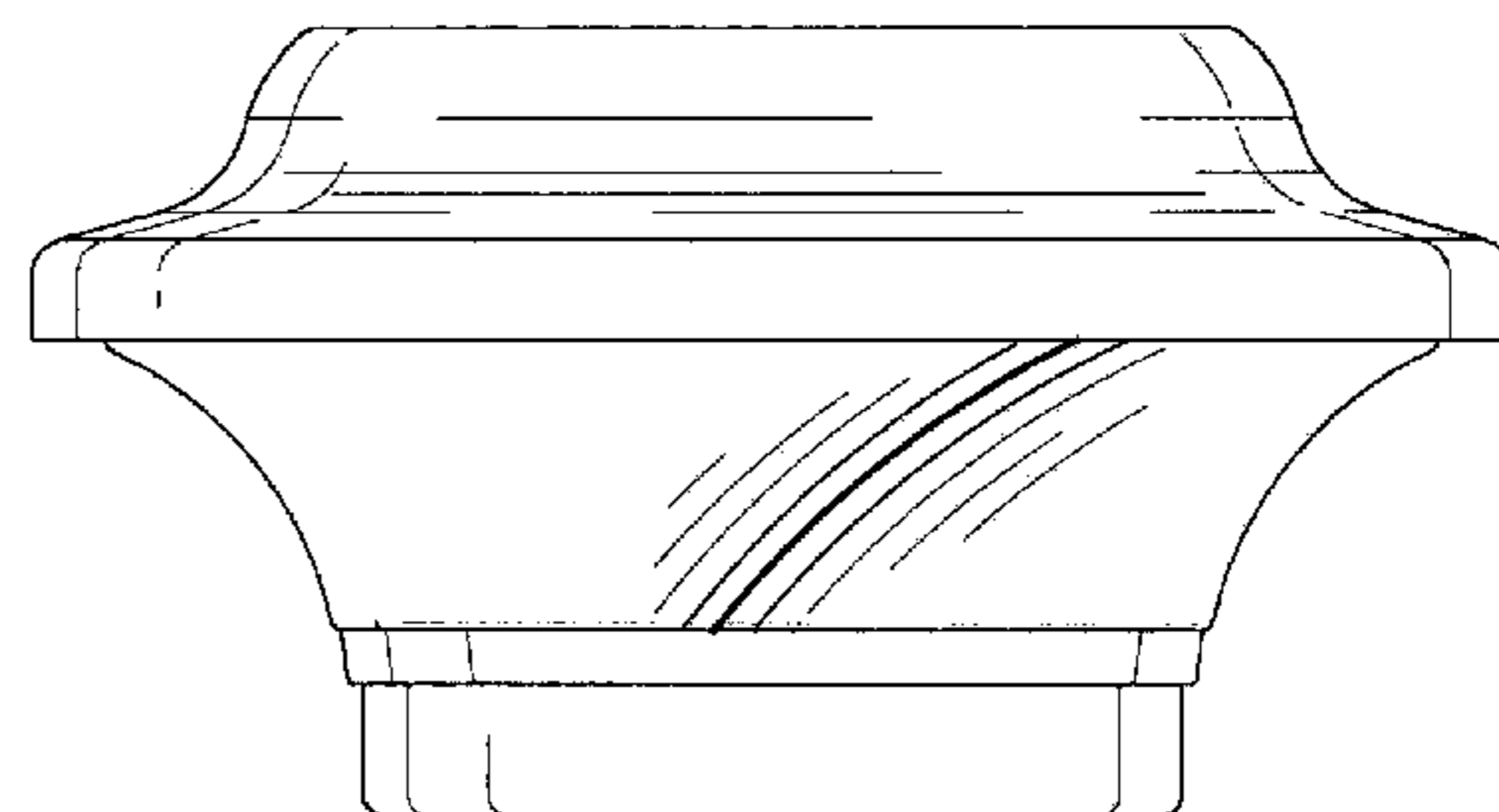
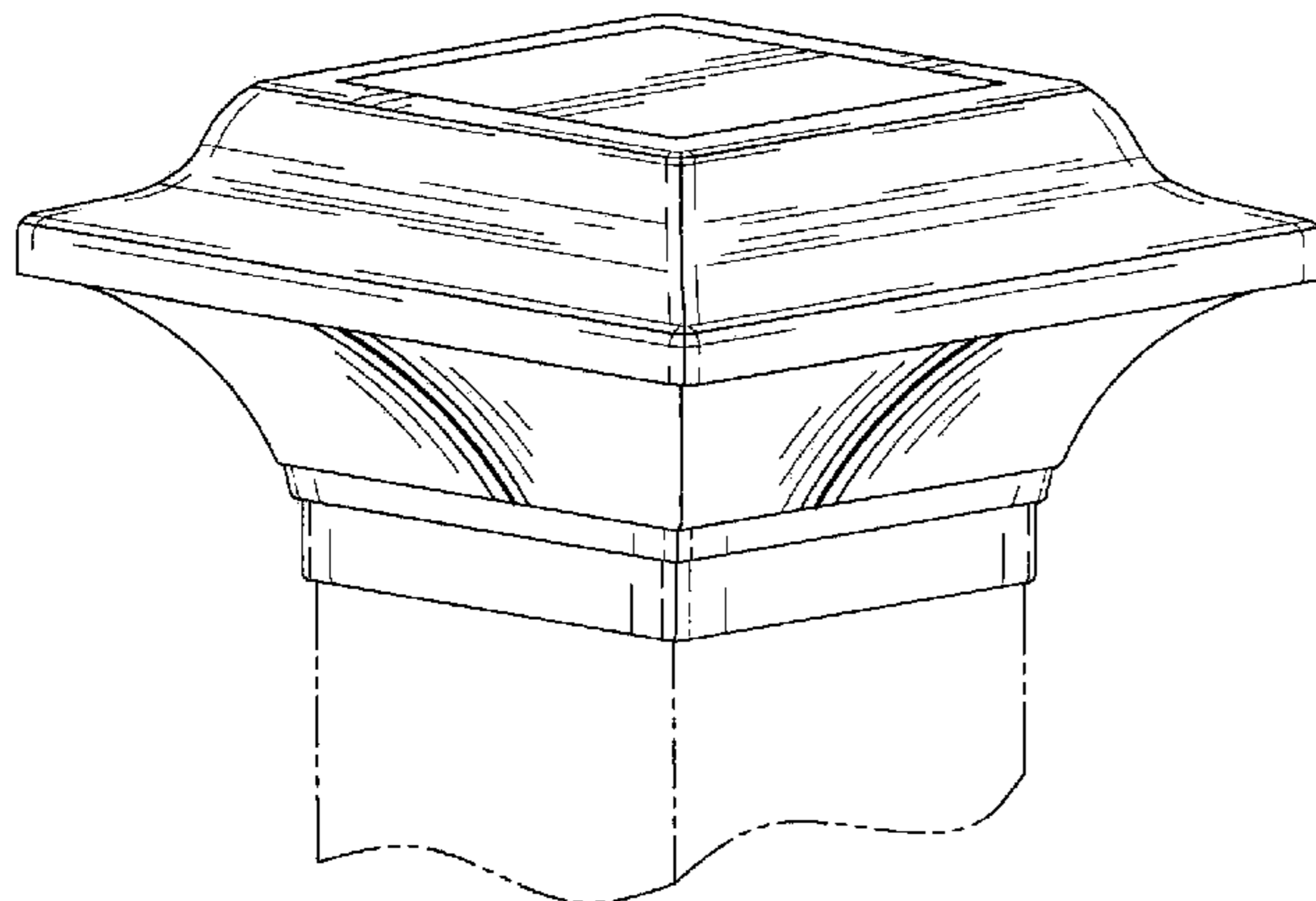
FIG. 5 is a perspective view of a lighted post cap shown in FIG. 1 and configured with an adaptor for a 1.5" square post;

FIG. 6 is a perspective view of a lighted post cap shown in FIG. 1 as adapted to fit on a 2" square post; and,

FIG. 7 is a perspective view of a lighted post cap shown in FIG. 1 as adapted to fit on a 3" square post.

The purpose of the broken lines in the drawings indicates environmental structure that forms no part of the claimed invention.

1 Claim, 3 Drawing Sheets



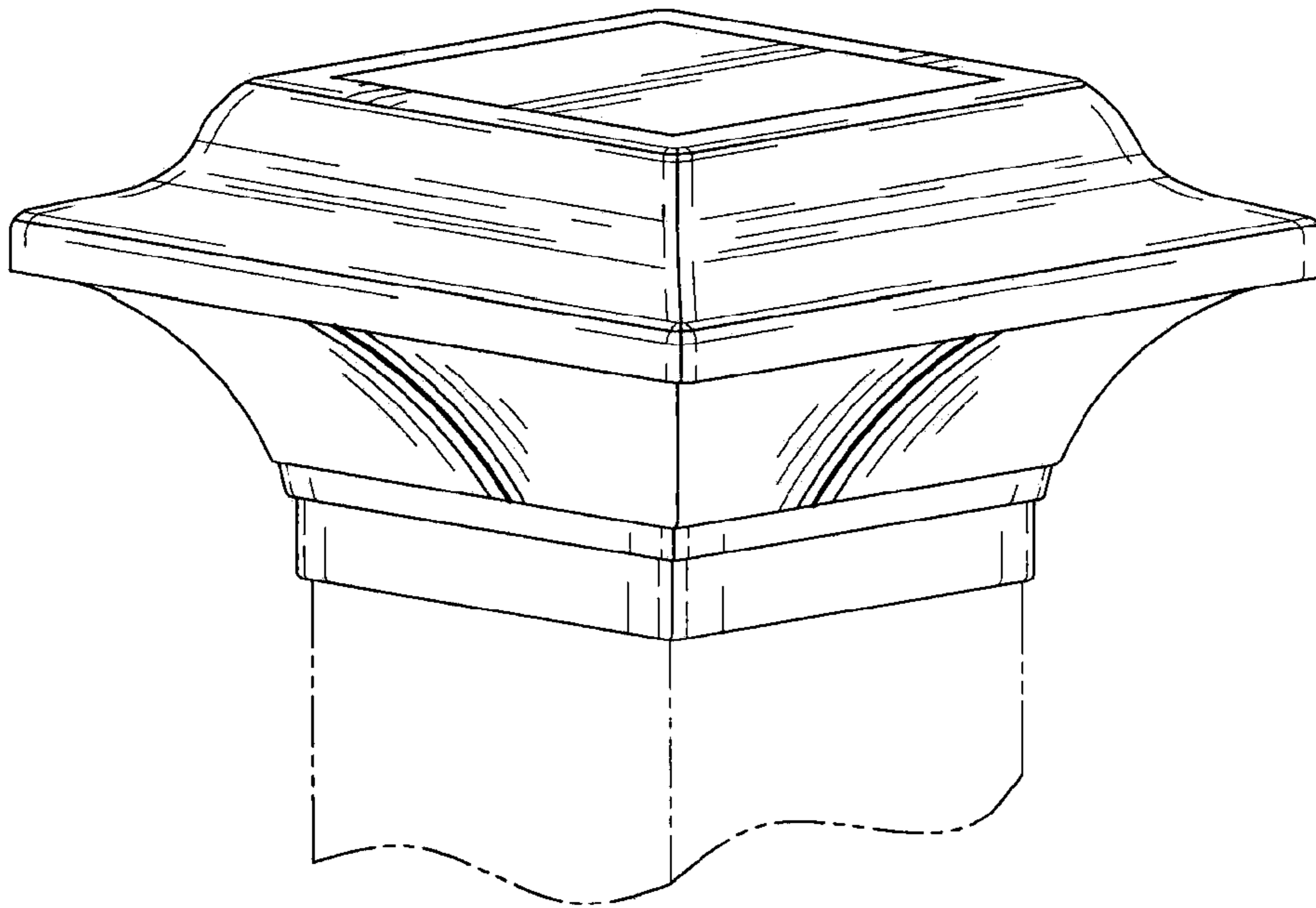


Fig-1

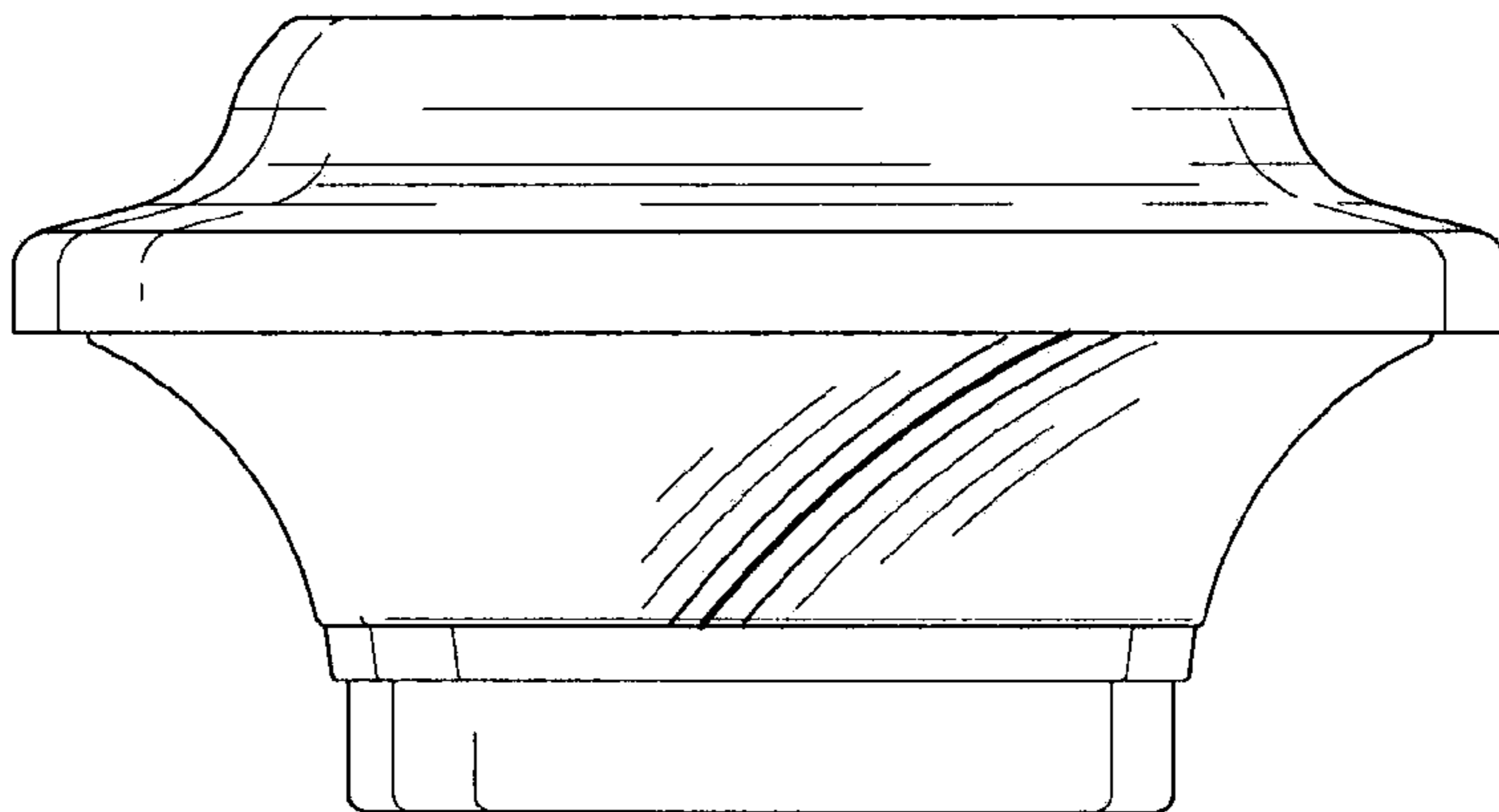


Fig-2

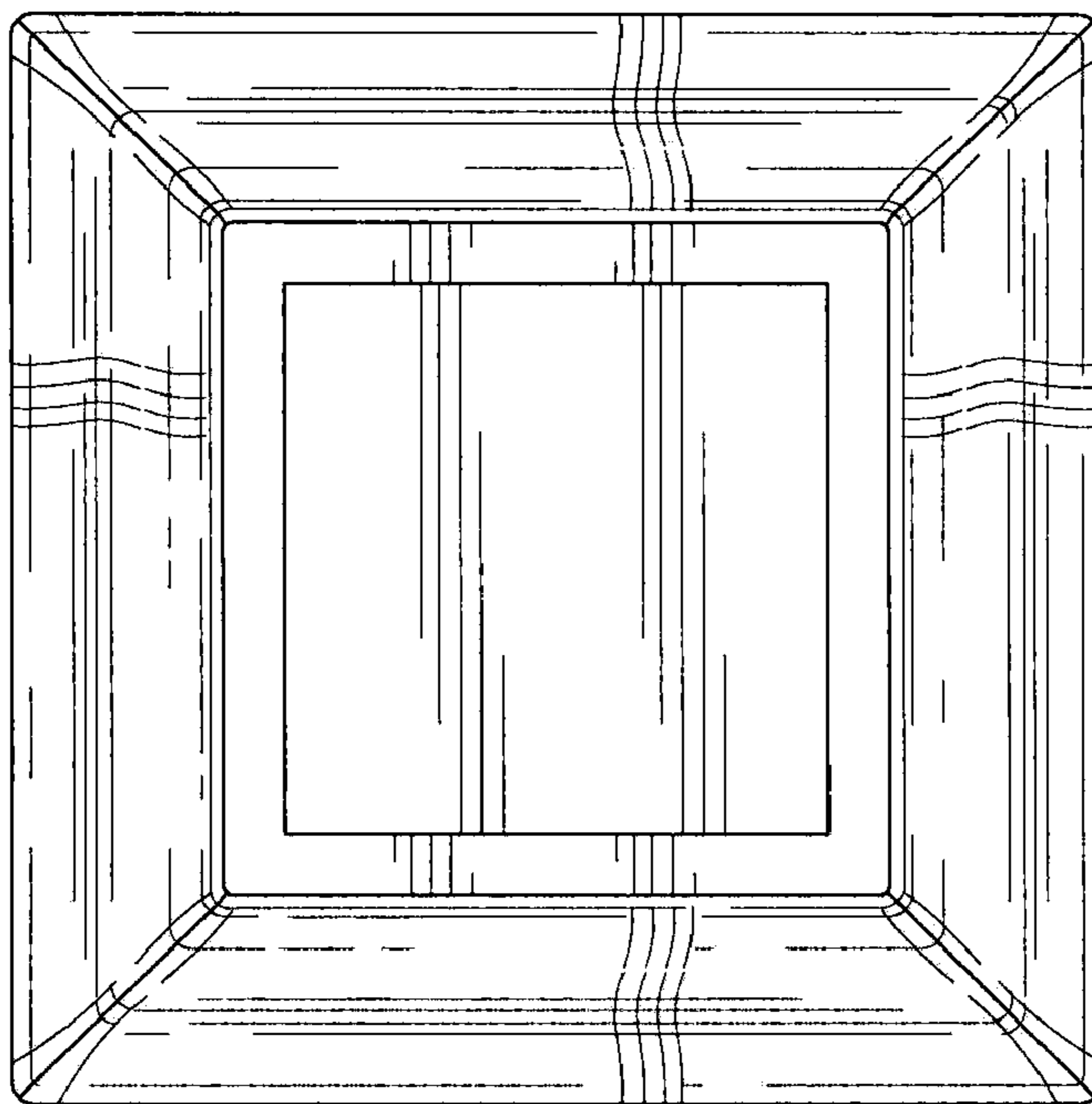


Fig-3

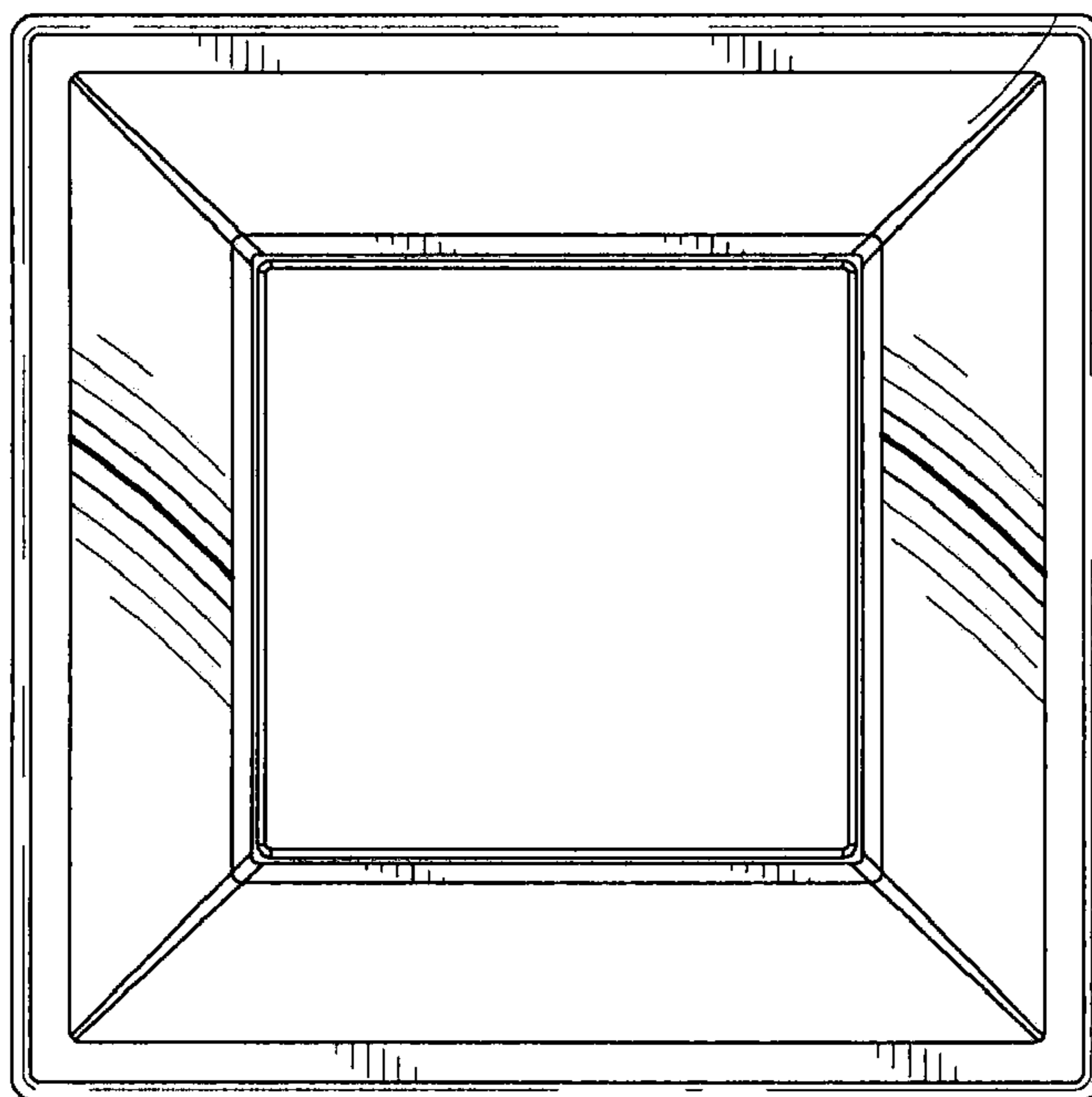


Fig-4

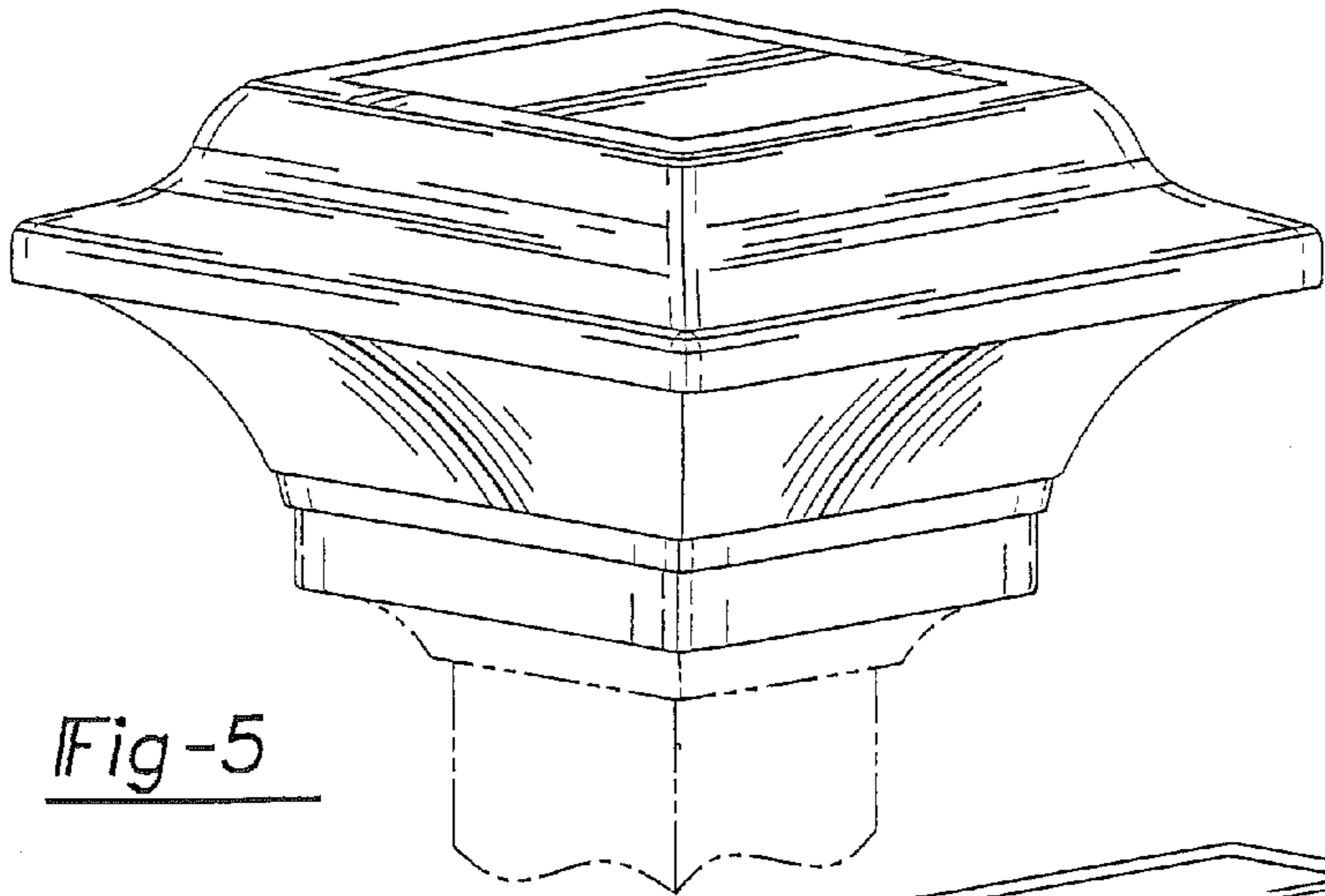


Fig-5

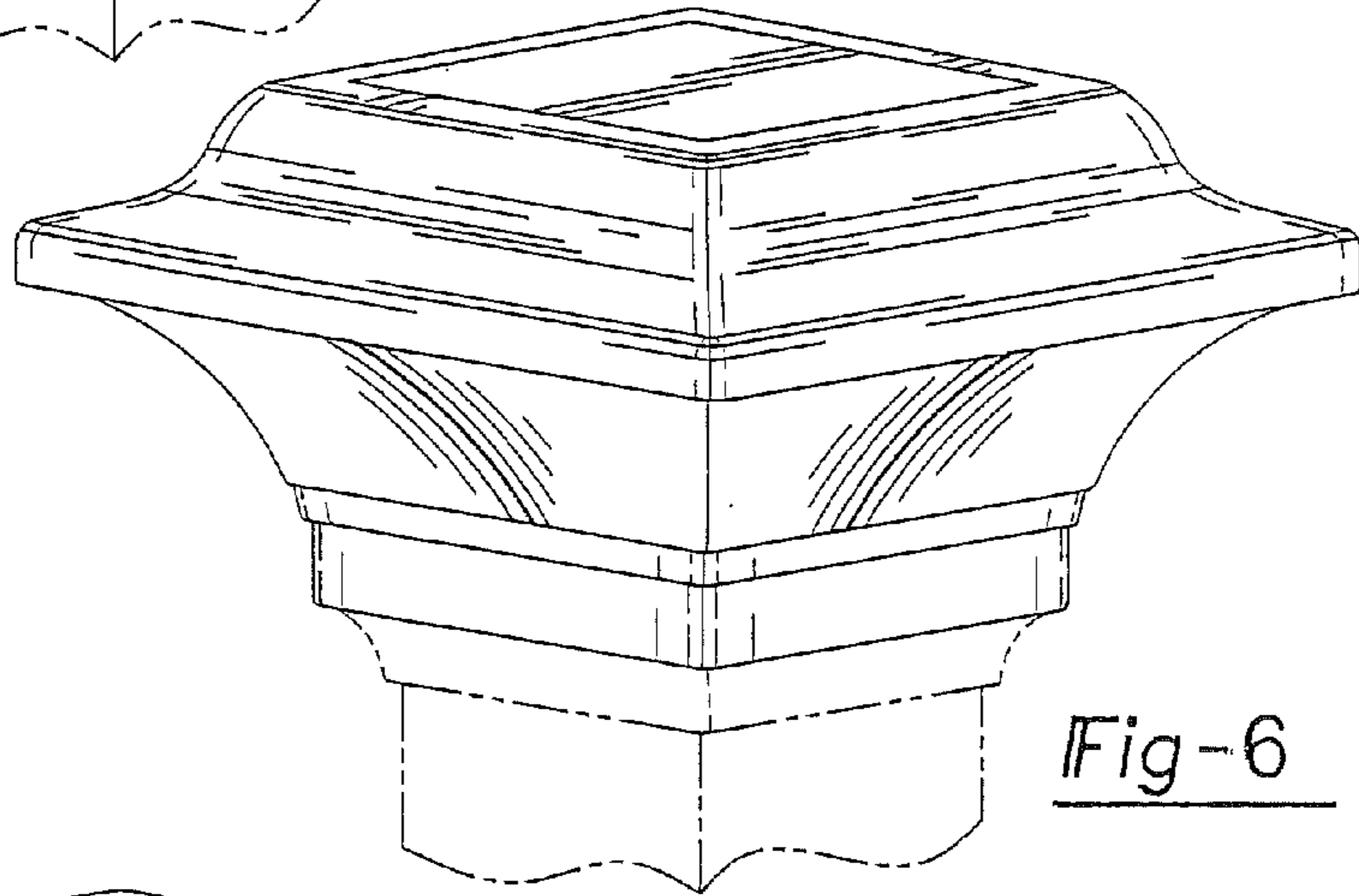


Fig-6

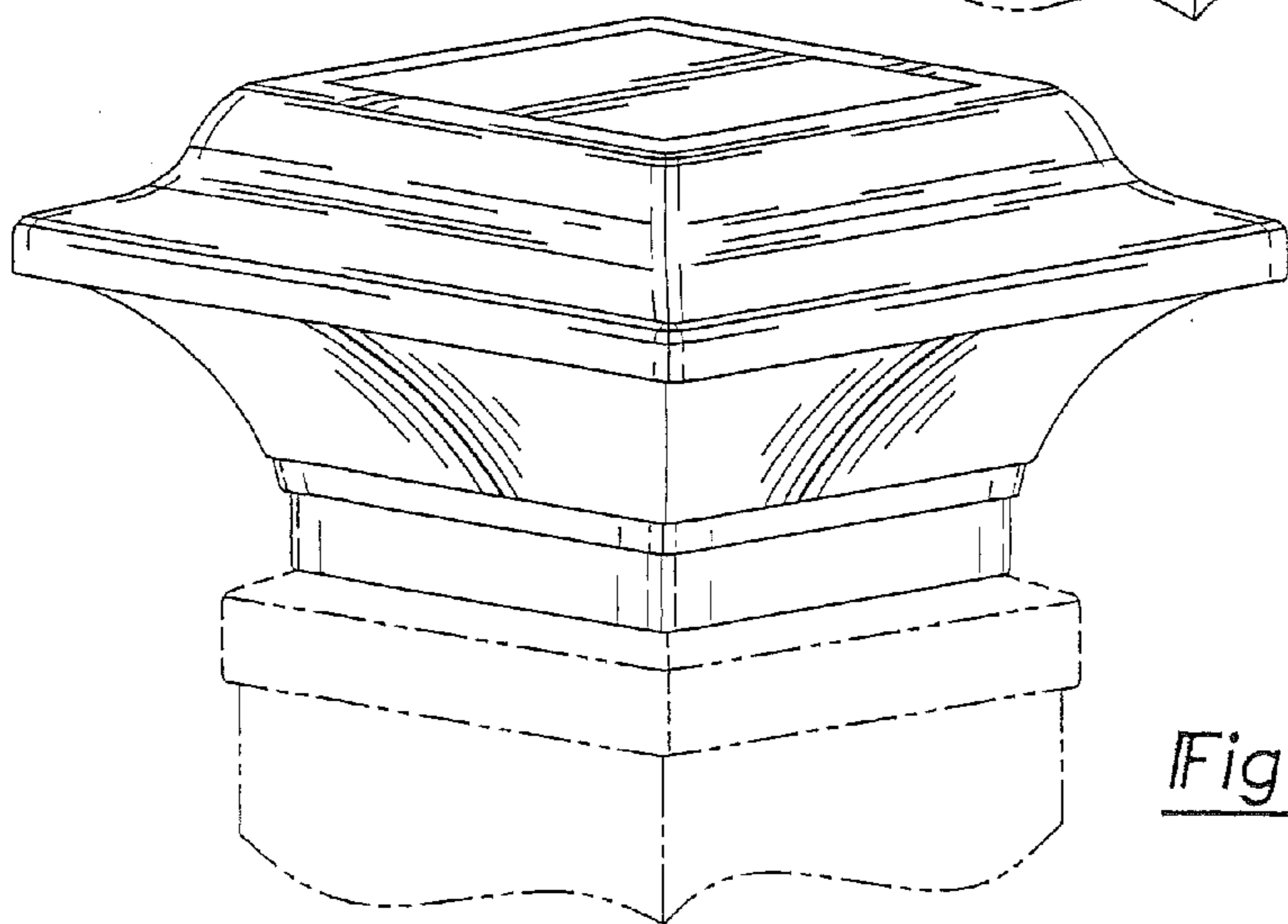


Fig-7