



US00D624226S

(12) **United States Design Patent**  
**Huang**

(10) **Patent No.:** **US D624,226 S**

(45) **Date of Patent:** **\*\* Sep. 21, 2010**

(54) **TABLE LAMP**

(75) Inventor: **Huo-Tu Huang**, Taipei County (TW)

(73) Assignee: **Huangslite Industrial Co., Ltd.**, Su-Lin (TW)

(\*\*) Term: **14 Years**

(21) Appl. No.: **29/347,631**

(22) Filed: **Mar. 23, 2010**

(51) **LOC (9) Cl.** ..... **26-05**

(52) **U.S. Cl.** ..... **D26/65**

(58) **Field of Classification Search** ..... D26/60-66,  
D26/107-109; 362/269, 275, 285, 410, 413,  
362/419, 427, 371, 277, 270, 274, 278, 281-290,  
362/418, 401, 402

See application file for complete search history.

(56) **References Cited**

**U.S. PATENT DOCUMENTS**

D310,886 S *	9/1990	Gismondi et al.	.....	D26/65
D326,535 S *	5/1992	Hsia	.....	D26/65
D368,319 S *	3/1996	Huang	.....	D26/65
D405,903 S *	2/1999	Lin	.....	D26/64
D485,929 S *	1/2004	Cvek	.....	D26/65

D499,828 S \* 12/2004 Martin et al. .... D26/65

D579,597 S \* 10/2008 Ng ..... D26/61

D599,930 S \* 9/2009 Huang ..... D26/63

D600,388 S \* 9/2009 Huang ..... D26/65

D612,087 S \* 3/2010 Huang ..... D26/63

\* cited by examiner

*Primary Examiner*—Susan M Lee

*Assistant Examiner*—Linda G. Brooks

(57) **CLAIM**

I claim the ornamental design for table lamp, as shown and described.

**DESCRIPTION**

FIG. 1. is a perspective view of table lamp showing my new design

FIG. 2. is a front elevational view thereof;

FIG. 3. is a rear elevational view thereof;

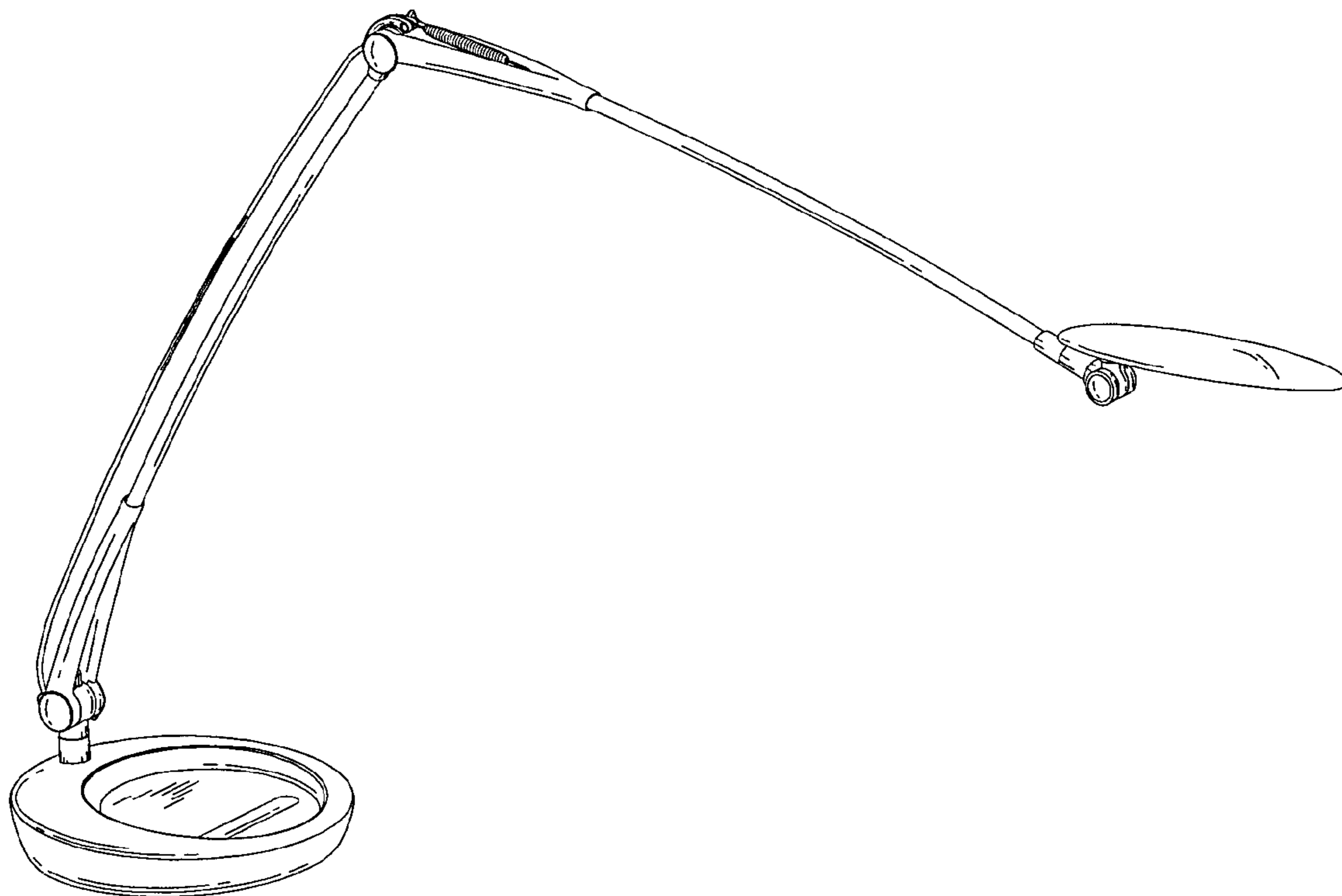
FIG. 4. is a left side elevational view thereof;

FIG. 5. is a right side elevational view thereof;

FIG. 6. is a top plan view thereof; and,

FIG. 7. is a bottom plan view thereof.

**1 Claim, 5 Drawing Sheets**



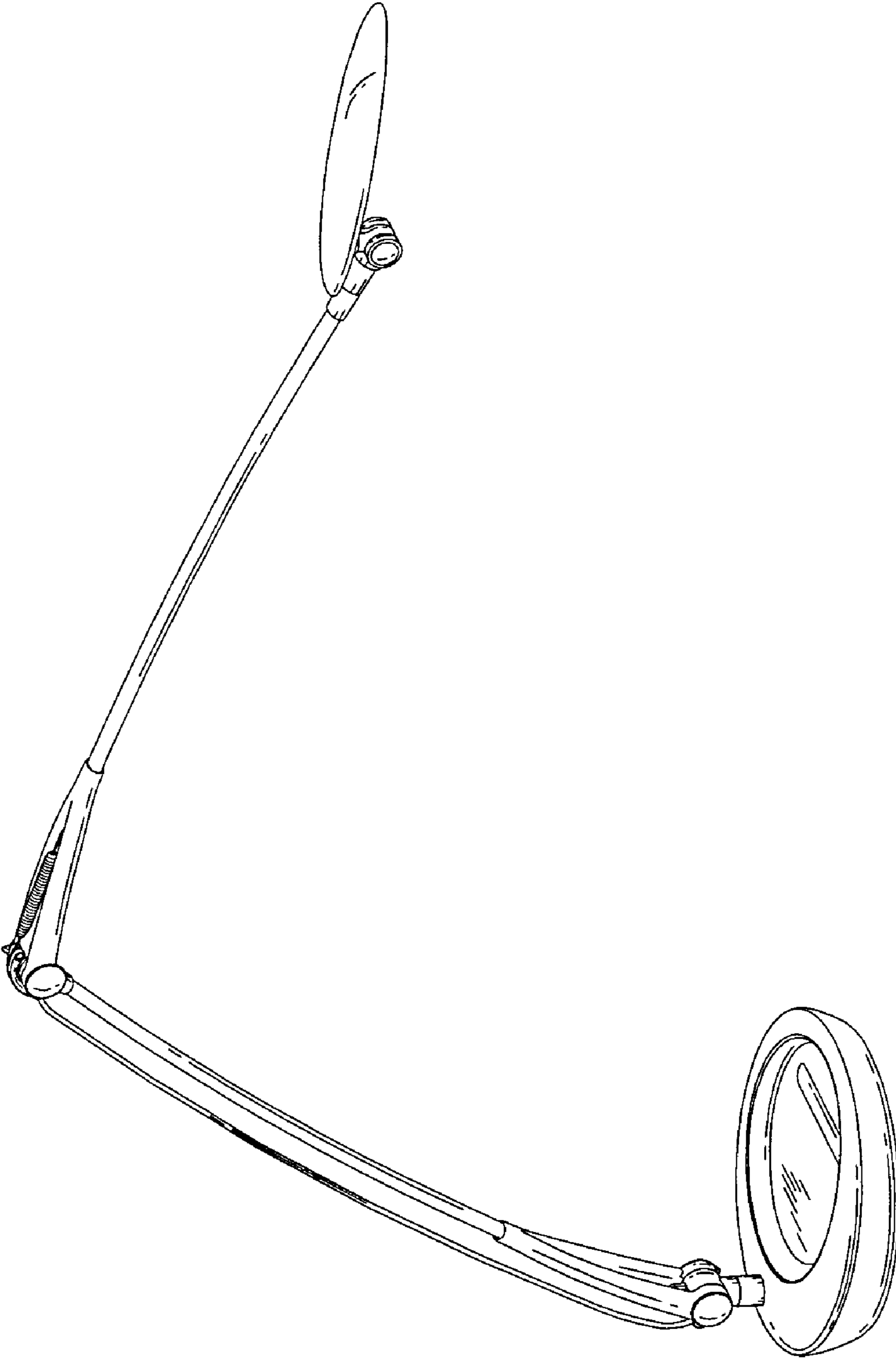


FIG. 1

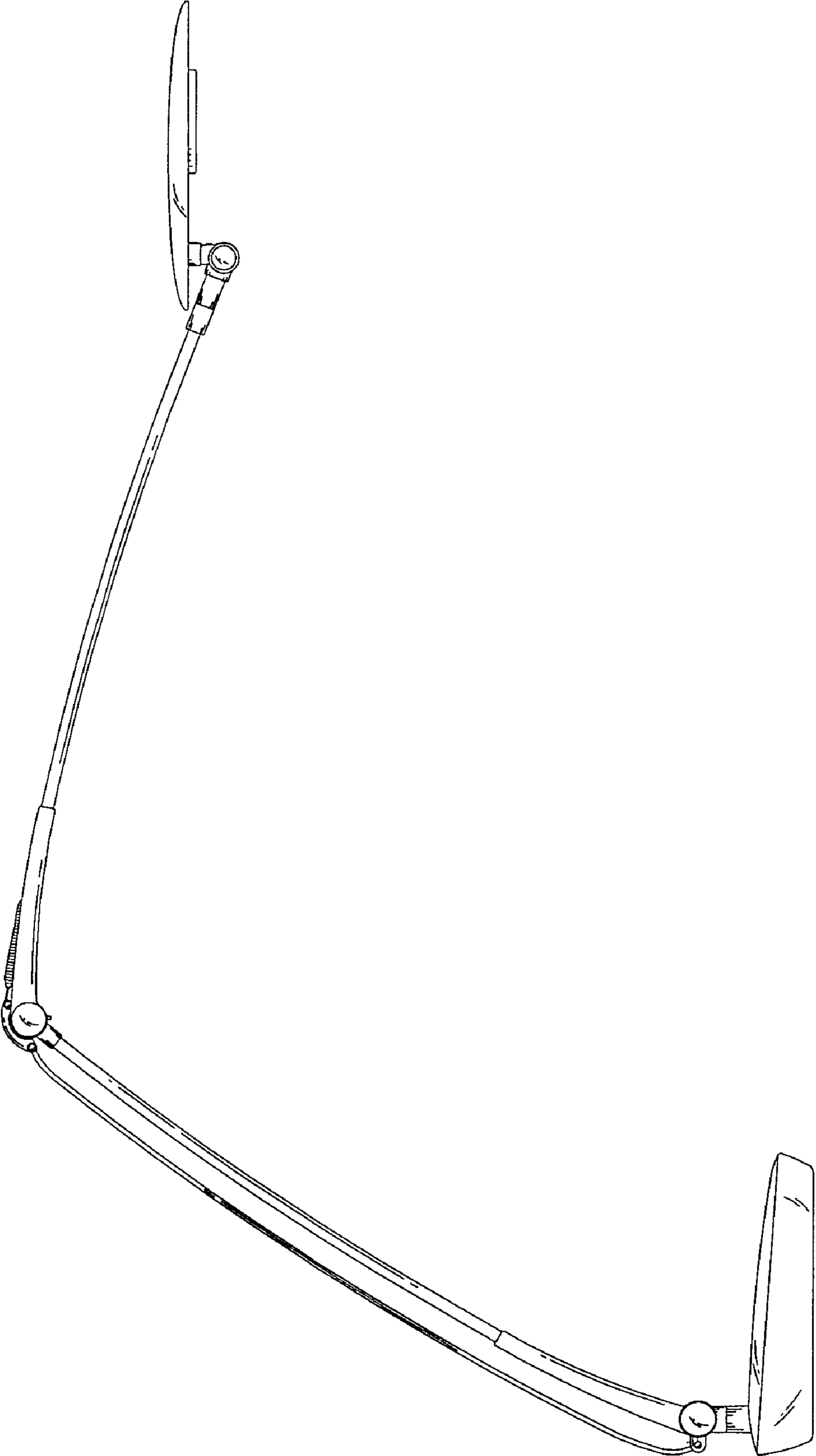


FIG.2

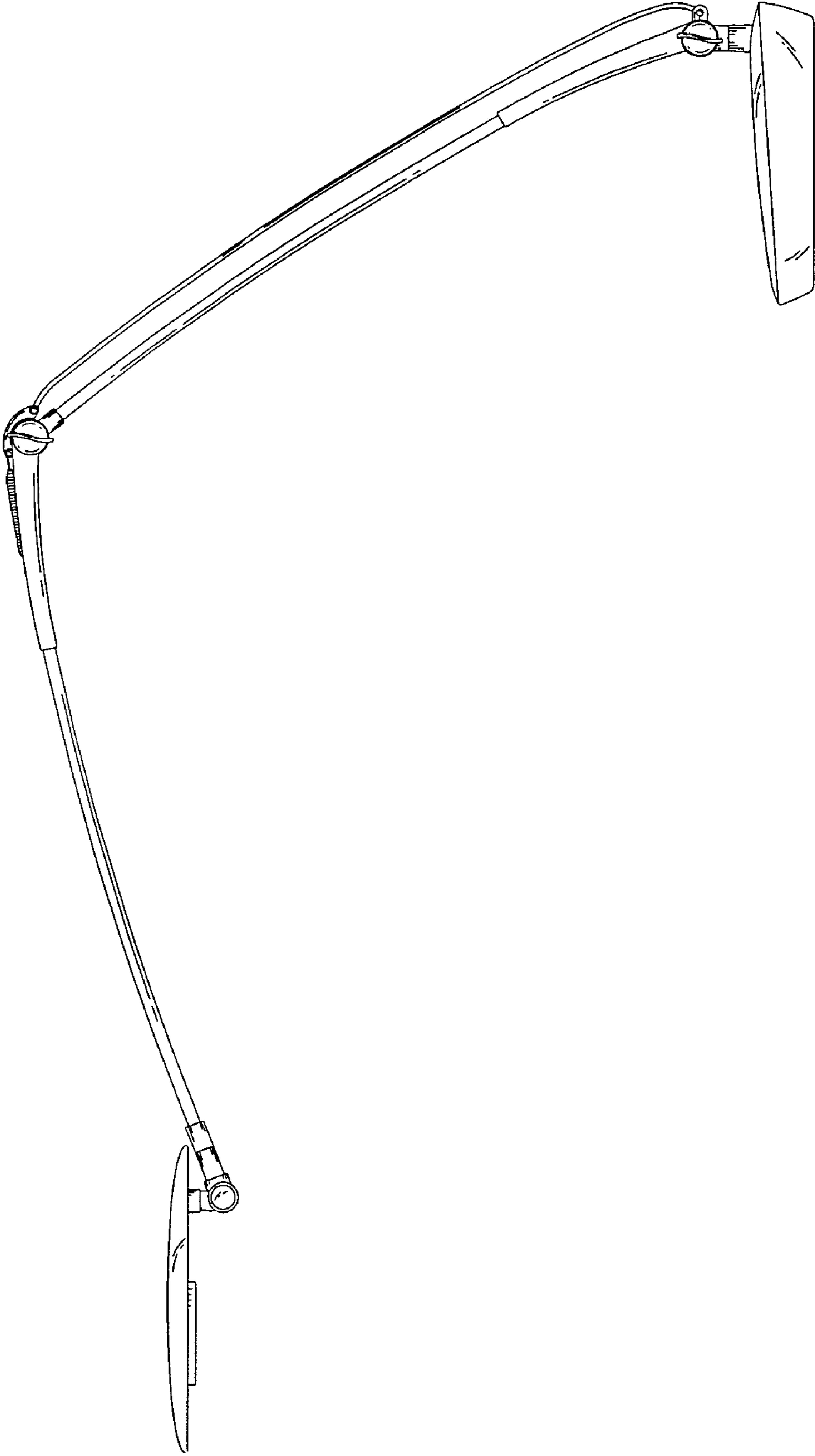


FIG. 3

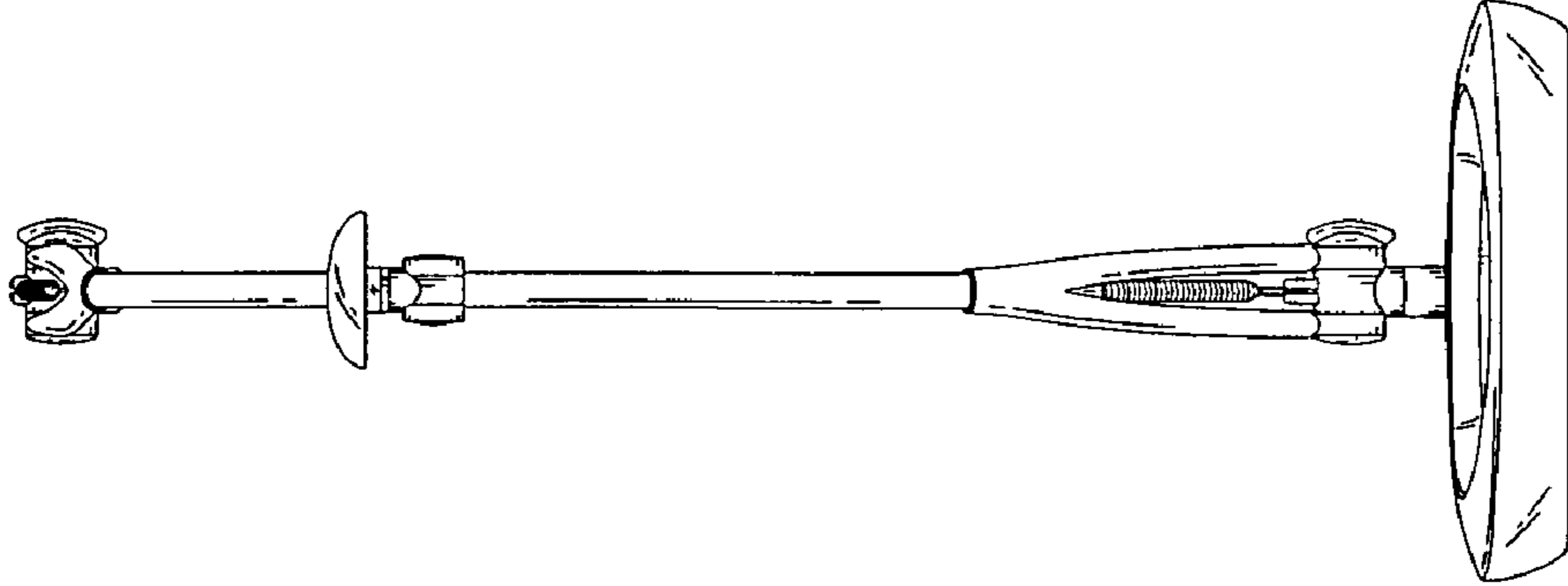


FIG. 5

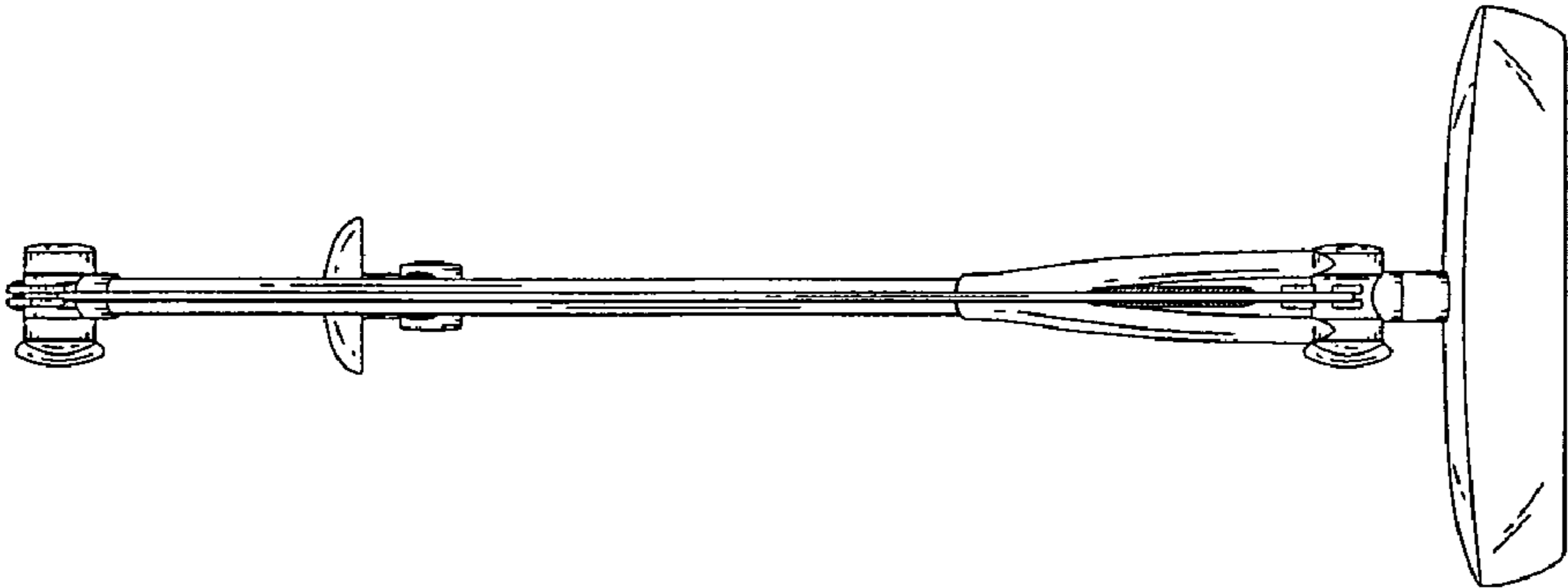


FIG. 4

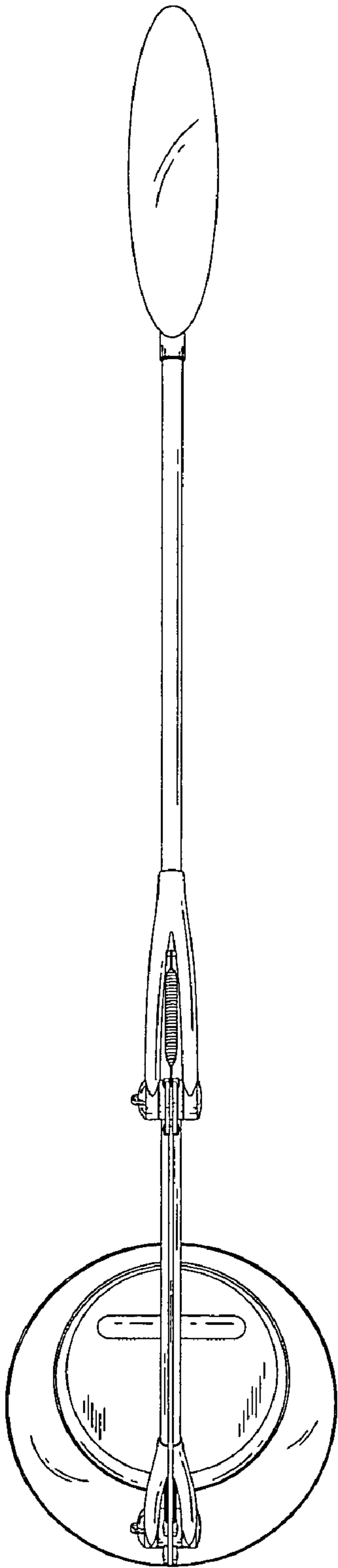


FIG. 6

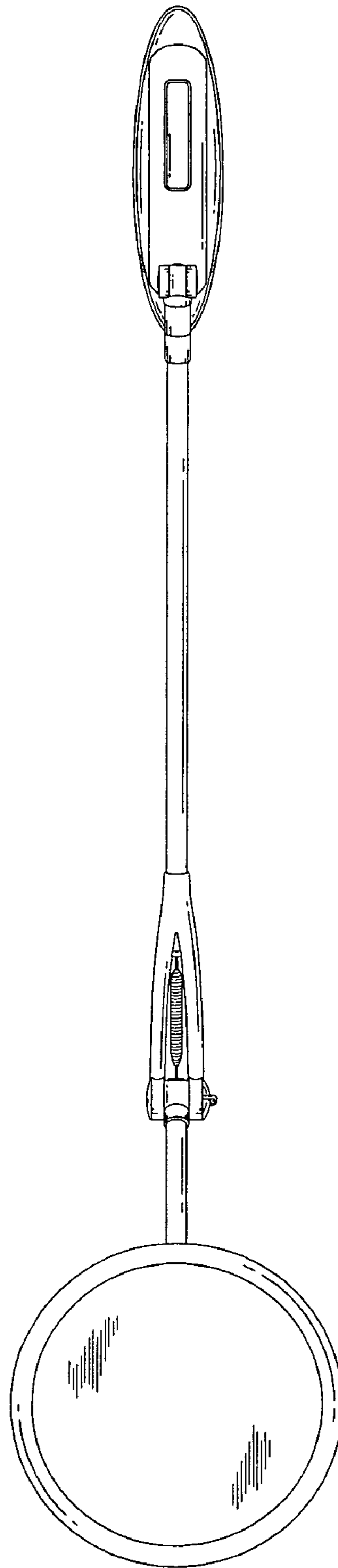


FIG. 7