



US00D624225S

(12) **United States Design Patent**
Federico et al.

(10) **Patent No.:** **US D624,225 S**
(45) **Date of Patent:** **** Sep. 21, 2010**

(54) **LIGHT EMITTING DESK LAMP**

(75) Inventors: **Tom Federico**, Lyndhurst, OH (US);
Richard Turner, Brecksville, OH (US)

(73) Assignee: **General Electric Company**,
Schenectady, NY (US)

(**) Term: **14 Years**

(21) Appl. No.: **29/359,370**

(22) Filed: **Apr. 9, 2010**

(51) **LOC (9) Cl.** **26-05**

(52) **U.S. Cl.** **D26/63**

(58) **Field of Classification Search** D26/61–66,
D26/93, 106–109, 104; 362/410–414, 217.01,
362/217.02, 217.04, 217.07, 220, 269, 270,
362/274, 277, 278, 280, 282, 285, 287, 288,
362/311.02, 418, 427, 800, 291, 319, 322,
362/323, 347, 361

See application file for complete search history.

(56) **References Cited**

U.S. PATENT DOCUMENTS

- 5,065,297 A * 11/1991 Santambrogio 362/413
- D324,274 S * 2/1992 Schwamkrug et al. D26/66
- D327,545 S * 6/1992 Lee D26/66
- 5,141,325 A * 8/1992 Huang 362/413
- D340,303 S * 10/1993 Huang D26/66
- D357,547 S * 4/1995 Layh D26/63

- D385,645 S * 10/1997 Chan D26/107
- D407,517 S * 3/1999 Zeller D26/60
- D414,578 S * 9/1999 Chen et al. D26/65
- D467,675 S * 12/2002 Chan D26/66
- D504,188 S * 4/2005 Chan D26/66
- D521,672 S * 5/2006 Stephant D26/65
- D564,117 S * 3/2008 Lippert D26/61

* cited by examiner

Primary Examiner—Susan M Lee

Assistant Examiner—Linda G. Brooks

(74) *Attorney, Agent, or Firm*—Fay Sharpe LLP

(57) **CLAIM**

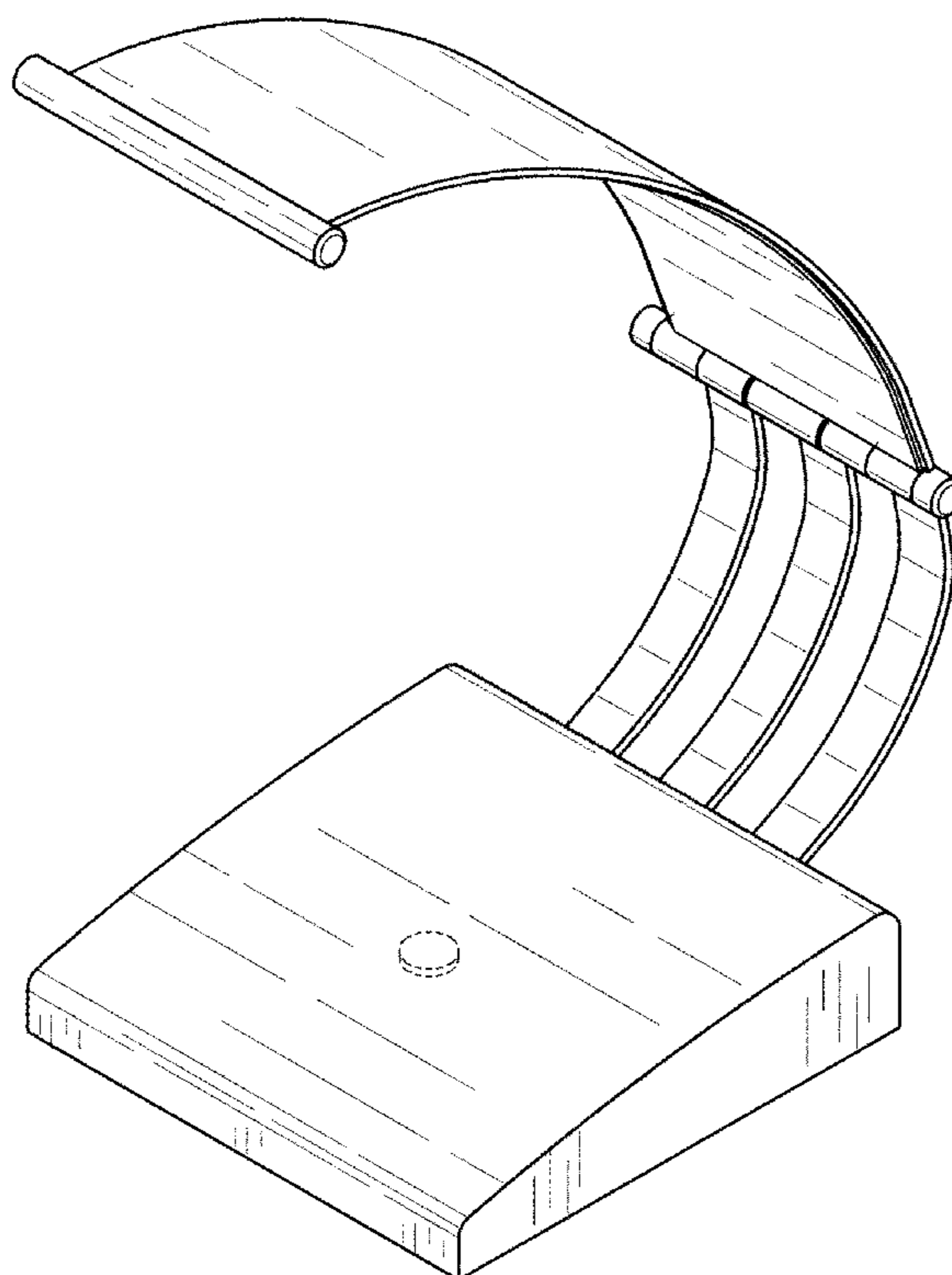
We claim the ornamental design for a light emitting desk lamp, as shown and described.

DESCRIPTION

FIG. 1 is a perspective view of the light emitting desk lamp;
 FIG. 2 is a front view thereof;
 FIG. 3 is a first side view thereof, the second side being a mirror image thereof;
 FIG. 4 is a rear view thereof;
 FIG. 5 is a top view thereof; and,
 FIG. 6 is a bottom view thereof.

The broken line disclosure of portions of the article is for illustrative purposes only and forms no part of the claimed design.

1 Claim, 5 Drawing Sheets



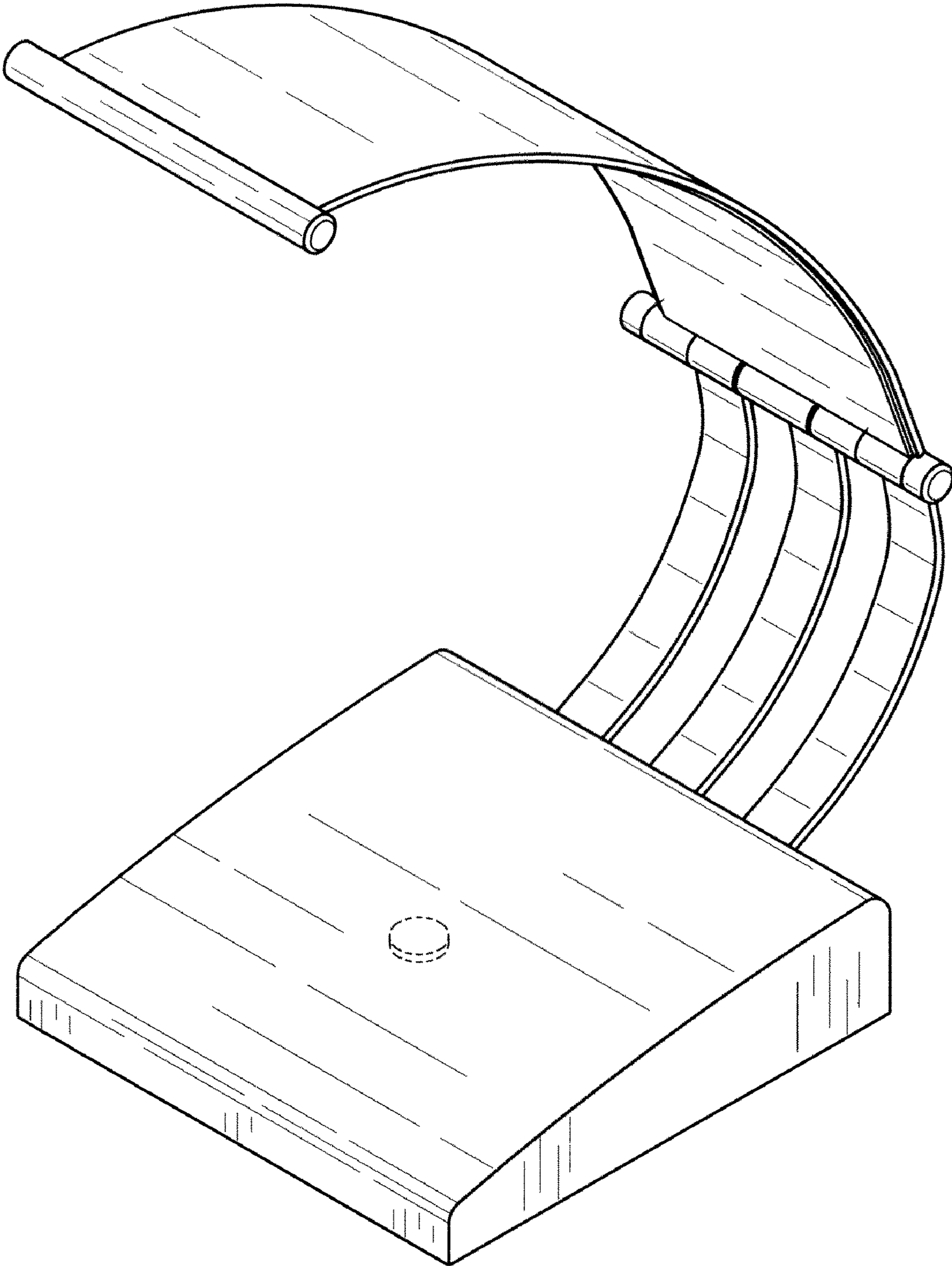


Fig. 1

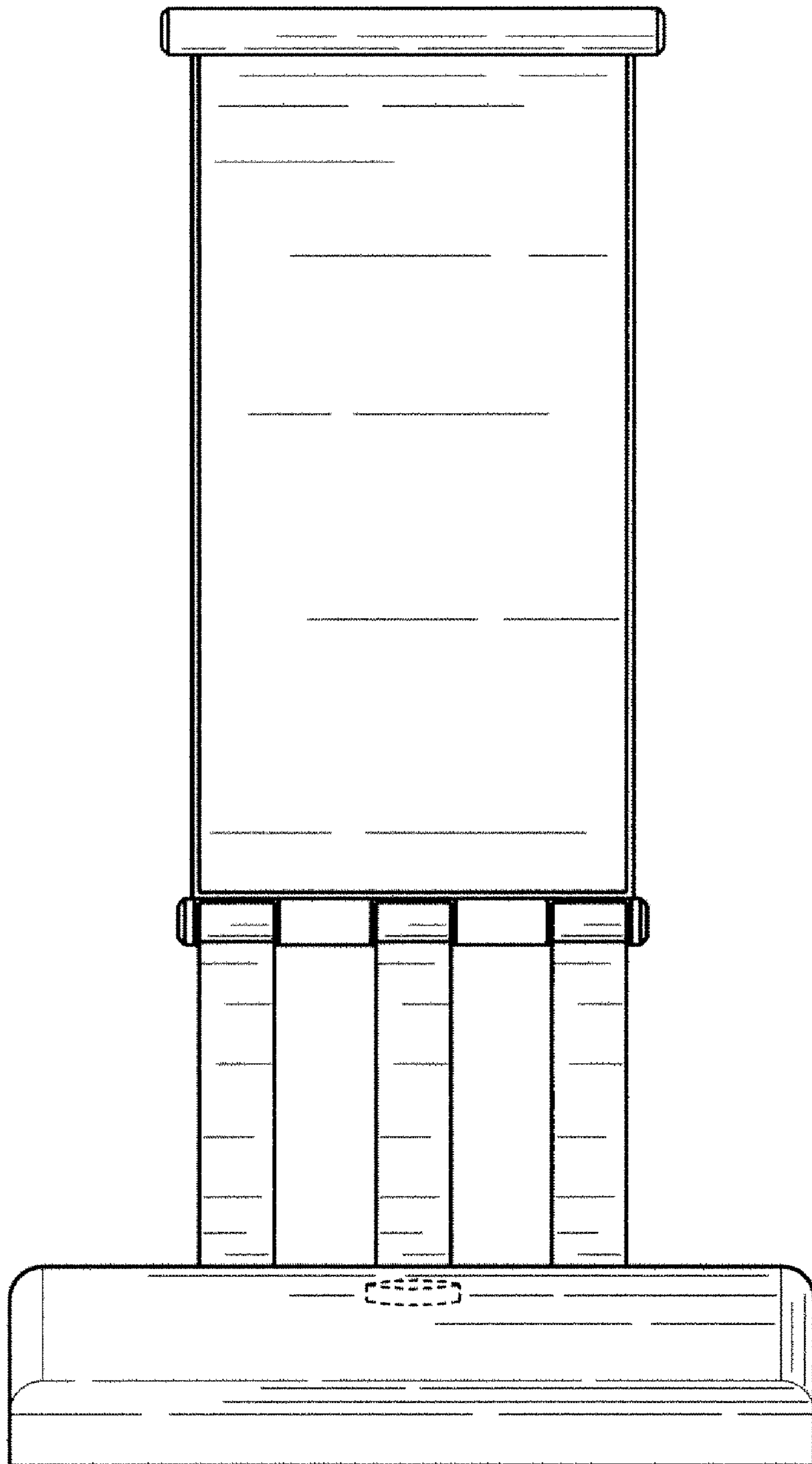


Fig. 2

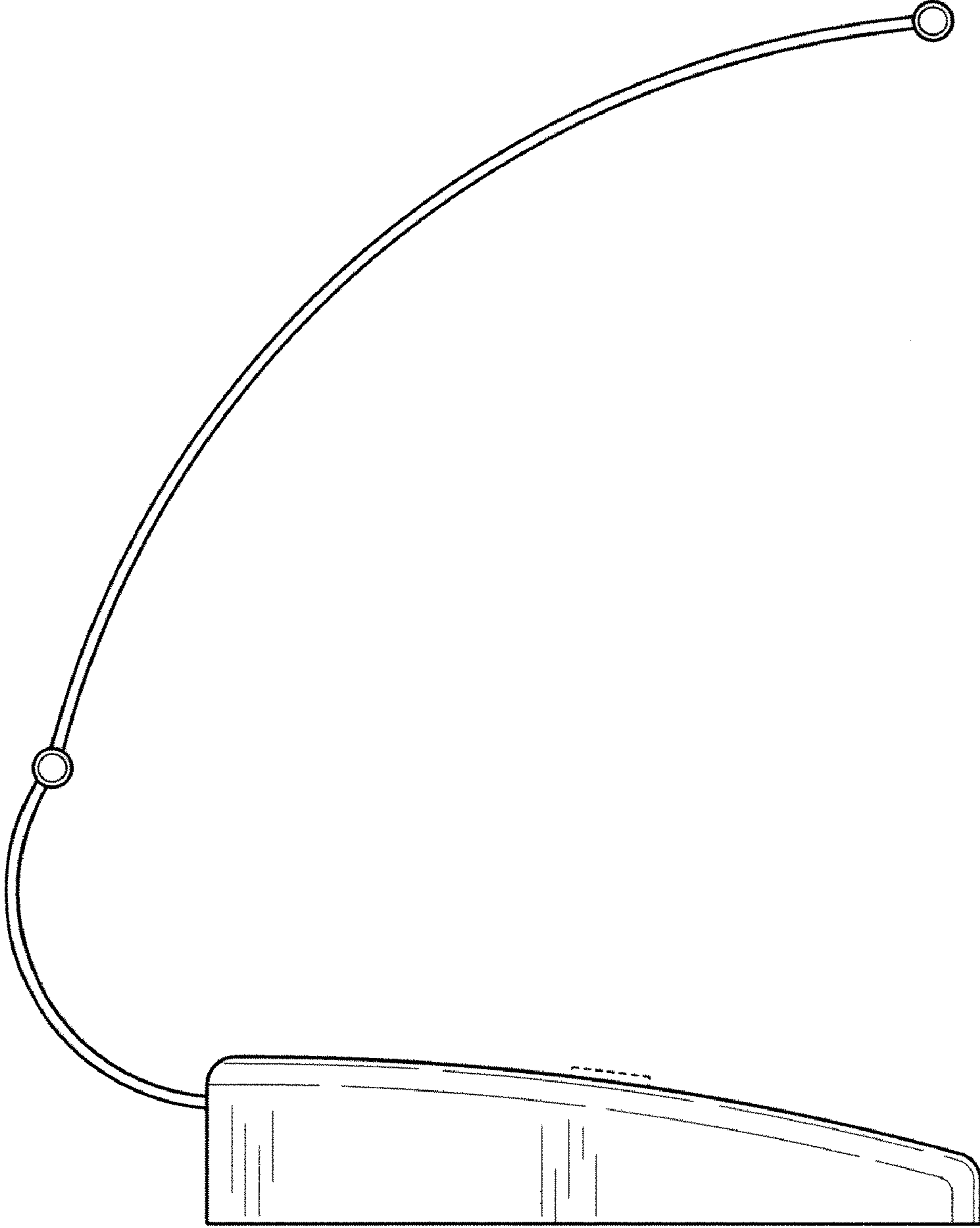


Fig. 3

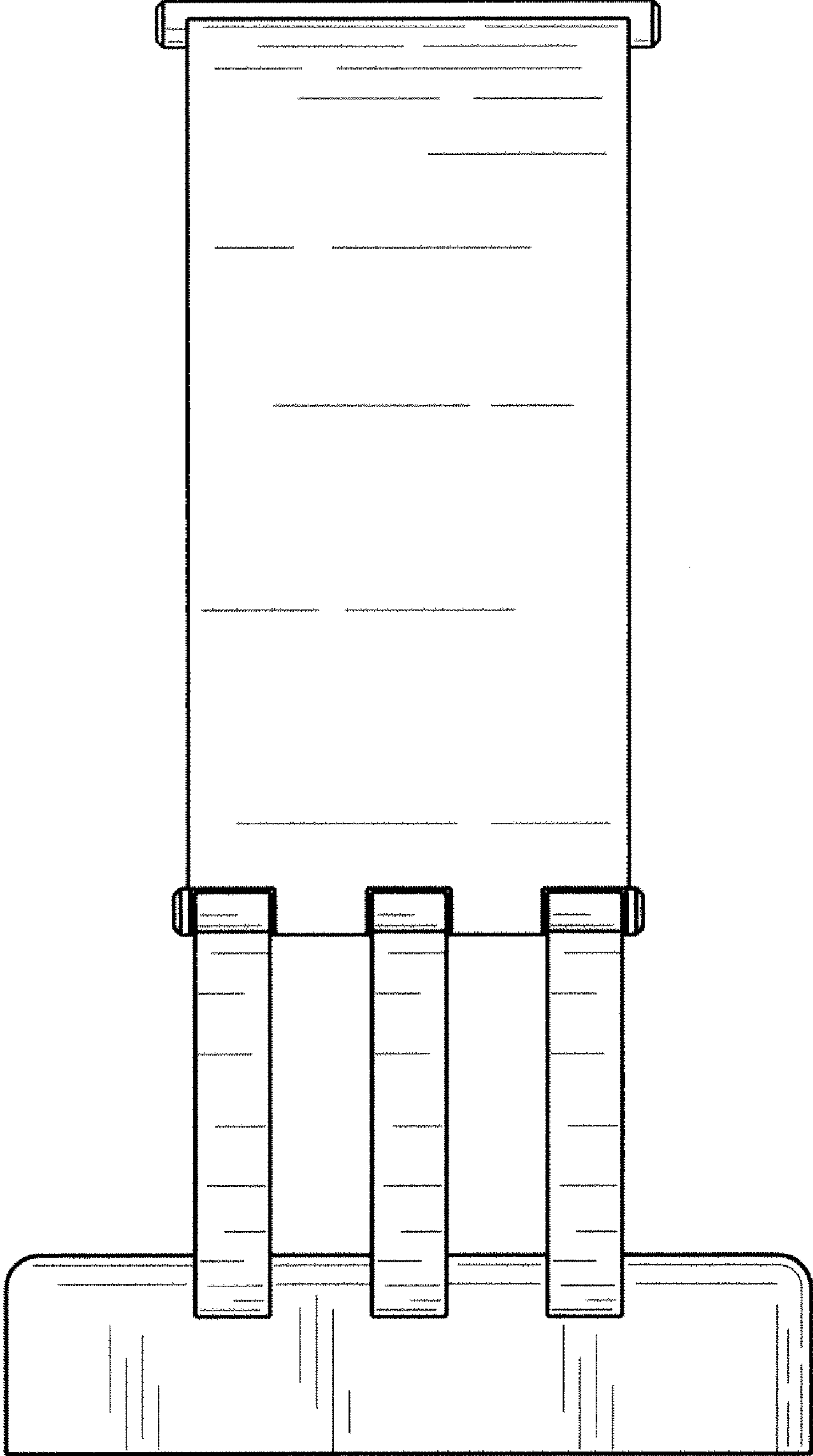


Fig. 4

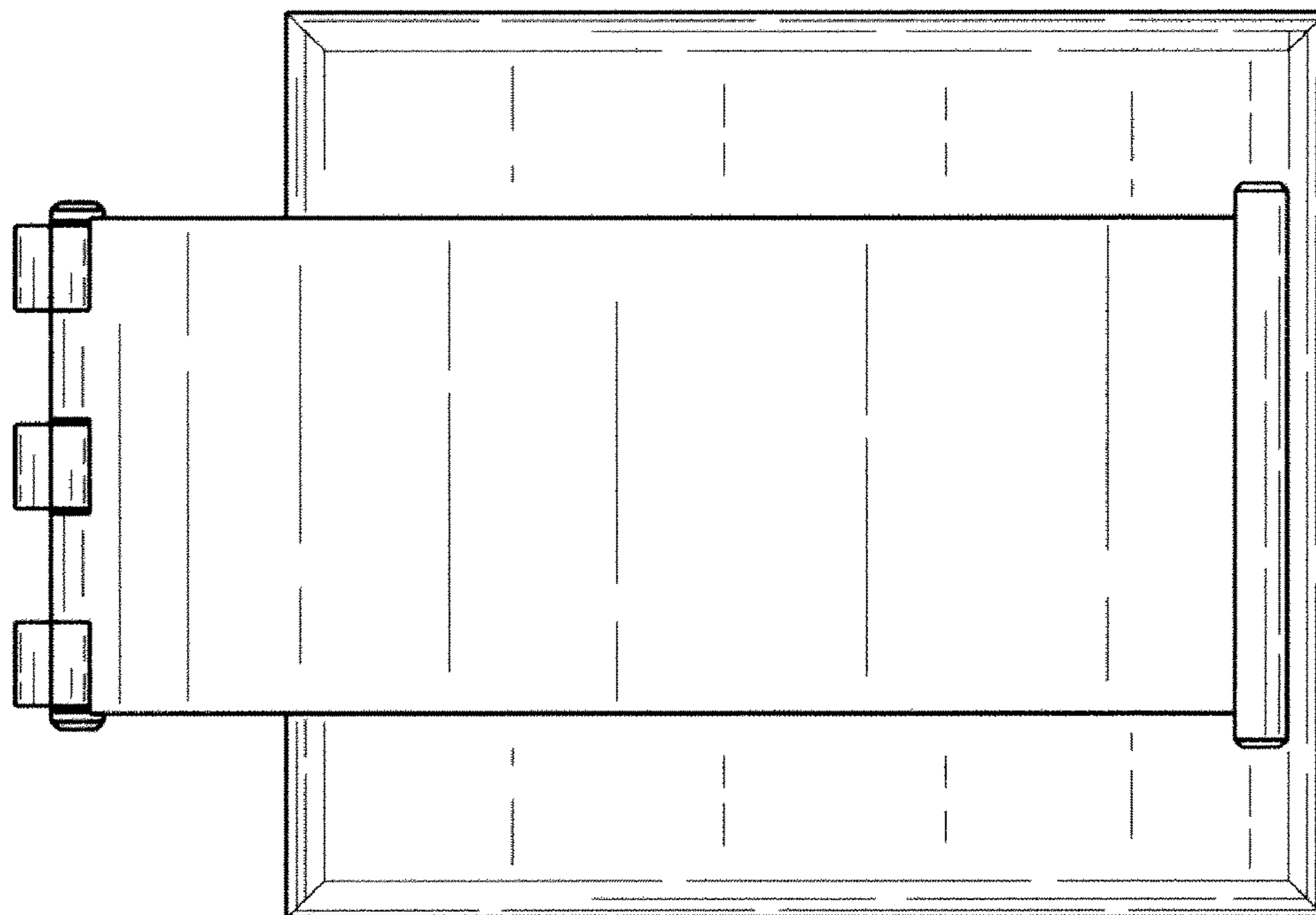


Fig. 5

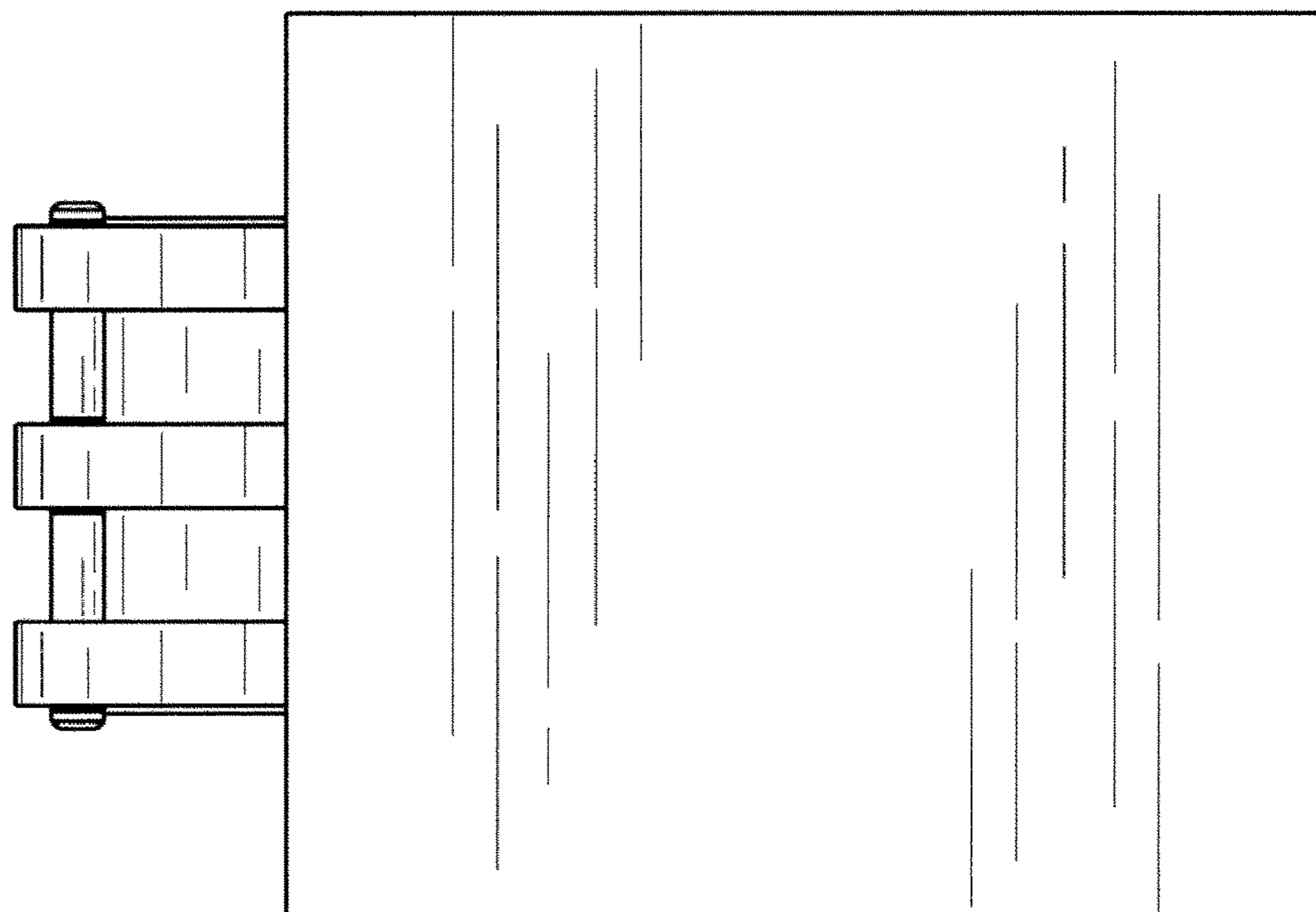


Fig. 6