



US00D624224S

(12) **United States Design Patent**
Guercio et al.

(10) **Patent No.:** **US D624,224 S**

(45) **Date of Patent:** **** Sep. 21, 2010**

(54) **AXIAL FLOODLIGHT**

(75) Inventors: **Vincenzo Guercio**, Wallkill, NJ (US);
Wengang Gao, Ningbo (CN)

(73) Assignee: **RAB Lighting, Inc.**, Northvale, NJ (US)

(**) Term: **14 Years**

(21) Appl. No.: **29/351,769**

(22) Filed: **Dec. 10, 2009**

(51) **LOC (9) Cl.** **26-05**

(52) **U.S. Cl.** **D26/61; D26/131**

(58) **Field of Classification Search** **D26/61-67,**
D26/71, 72, 85, 118, 128, 131, 135; 362/147,
362/241, 269, 294, 431, 432

See application file for complete search history.

(56) **References Cited**

U.S. PATENT DOCUMENTS

D53,145 S *	4/1919	Crowder	D26/131
D71,933 S *	1/1927	Smith	D26/131
D75,993 S *	8/1928	Winkel	D26/131
D85,713 S *	12/1931	Robinson	D26/131
D144,251 S *	3/1946	Kreidler	D26/131
D152,113 S *	12/1948	Mehr	362/341
D158,209 S *	4/1950	Lundquist	D26/131
D161,294 S *	12/1950	Sternaman	D26/63
D207,063 S *	2/1967	Sovatsky	D26/64
D214,941 S *	8/1969	Hilzen	D26/63
D226,534 S *	3/1973	Anderson, Jr.	D26/63
D228,797 S *	10/1973	De John	D26/131
D233,779 S *	11/1974	Kennedy et al.	D26/63
D287,413 S	12/1986	Kusmer et al.		
5,249,109 A	9/1993	Denison et al.		

5,404,285 A *	4/1995	Schonbek	362/363
D361,147 S *	8/1995	Wedell et al.	D26/63
D389,935 S *	1/1998	Pink	D26/68
D408,570 S *	4/1999	Bird	D26/63
D409,322 S *	5/1999	Yang	D26/63
D441,113 S *	4/2001	Small et al.	D26/63
D504,742 S *	5/2005	Chan et al.	D26/118
D577,142 S *	9/2008	Kovacik et al.	D26/63
D583,974 S *	12/2008	Johnson	D26/61

* cited by examiner

Primary Examiner—Clare E Heflin

(74) *Attorney, Agent, or Firm*—Overhauser & Lindman, LLC

(57) **CLAIM**

The ornamental design for an axial floodlight, as shown and described.

DESCRIPTION

FIG. 1 is a top perspective view of the new axial floodlight; FIG. 2 is a left view thereof, the right view is a mirror image of the left view;

FIG. 3 is a front view thereof;

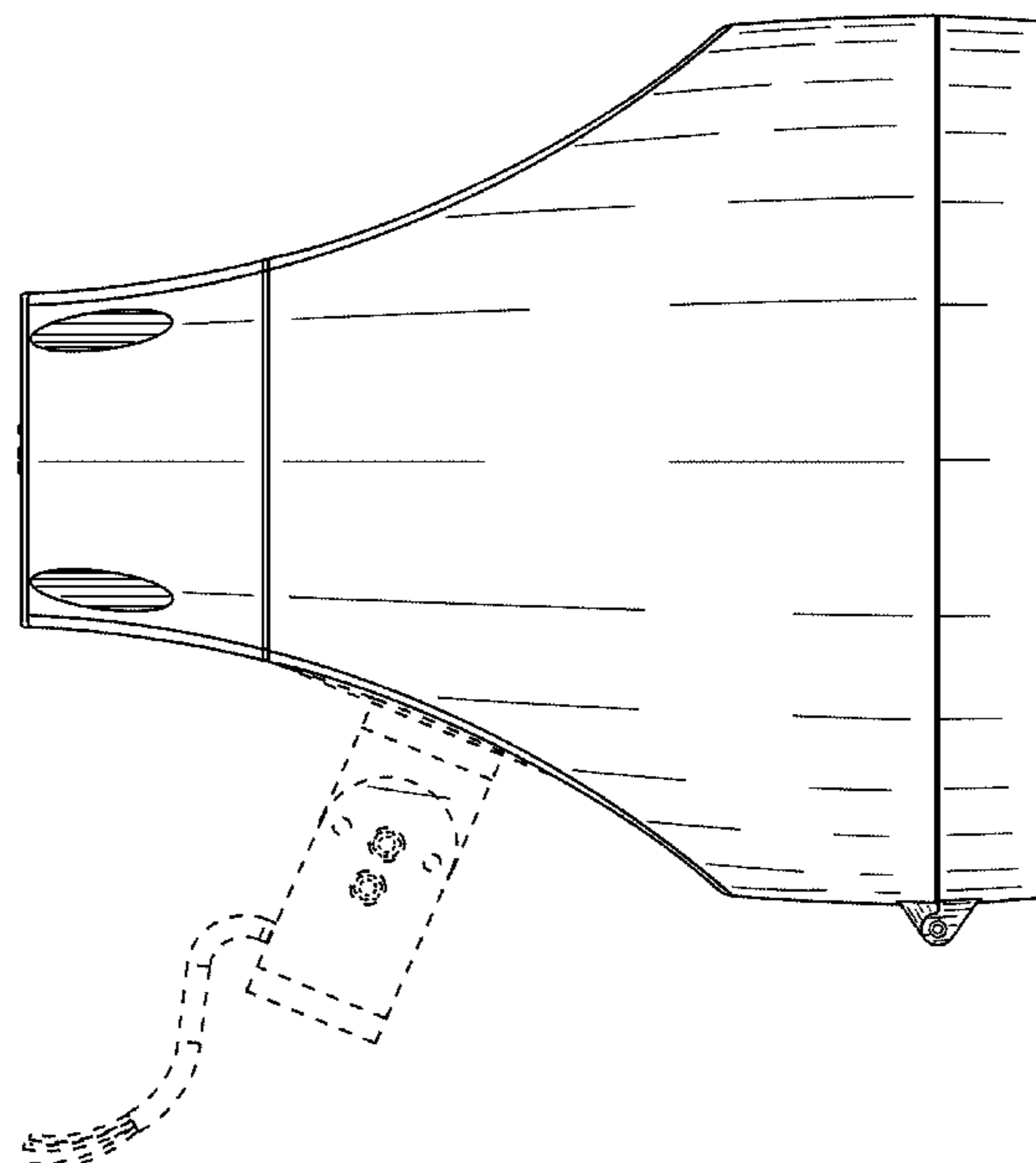
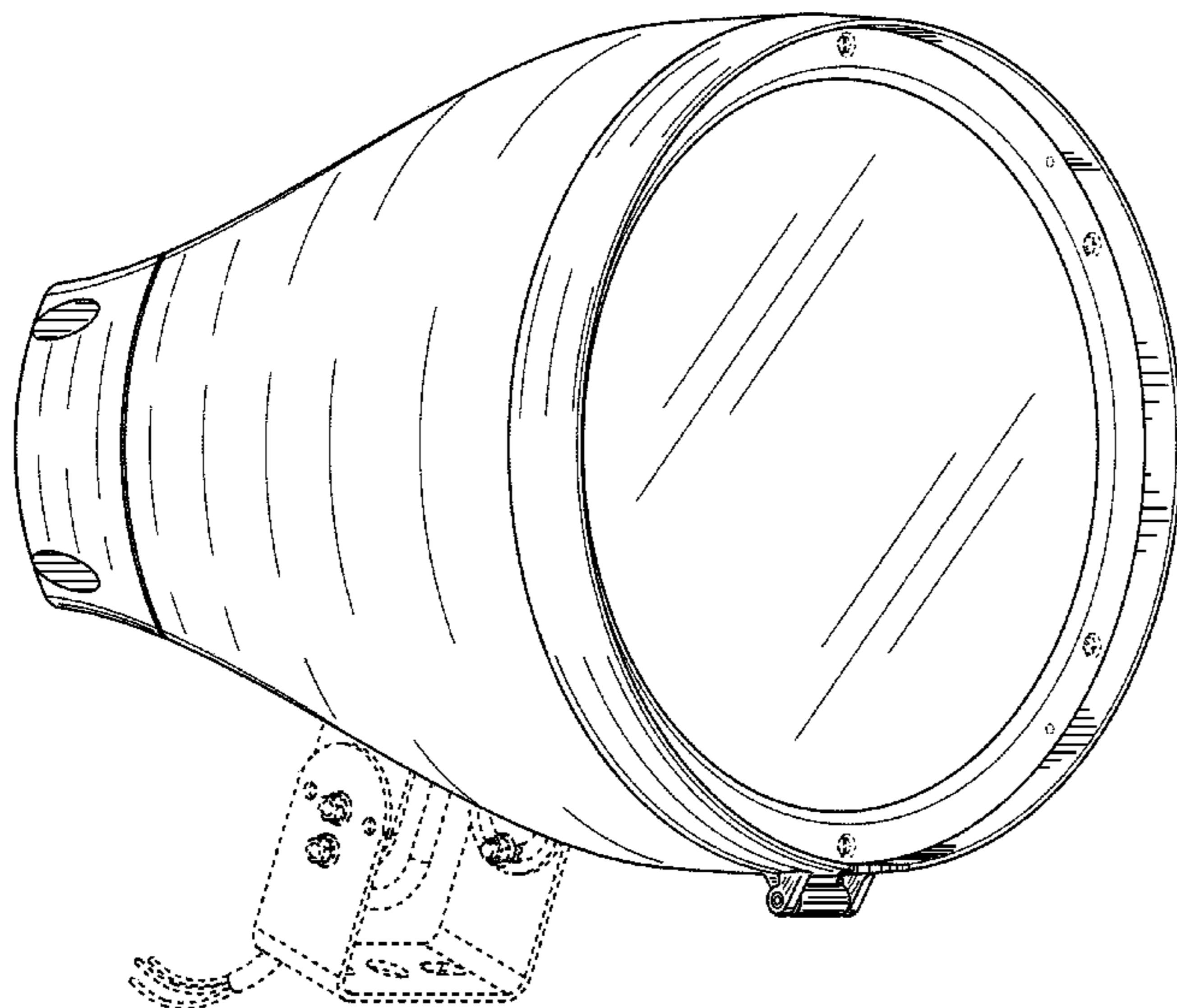
FIG. 4 is a back view thereof;

FIG. 5 is a bottom view thereof; and,

FIG. 6 is a top view thereof.

The design consists of the features of shape, ornament and configuration of the article shown in the drawings. The broken lines shown in the drawings are for the purpose of illustrating portions of the article and environment that form no part of the claimed design.

1 Claim, 6 Drawing Sheets



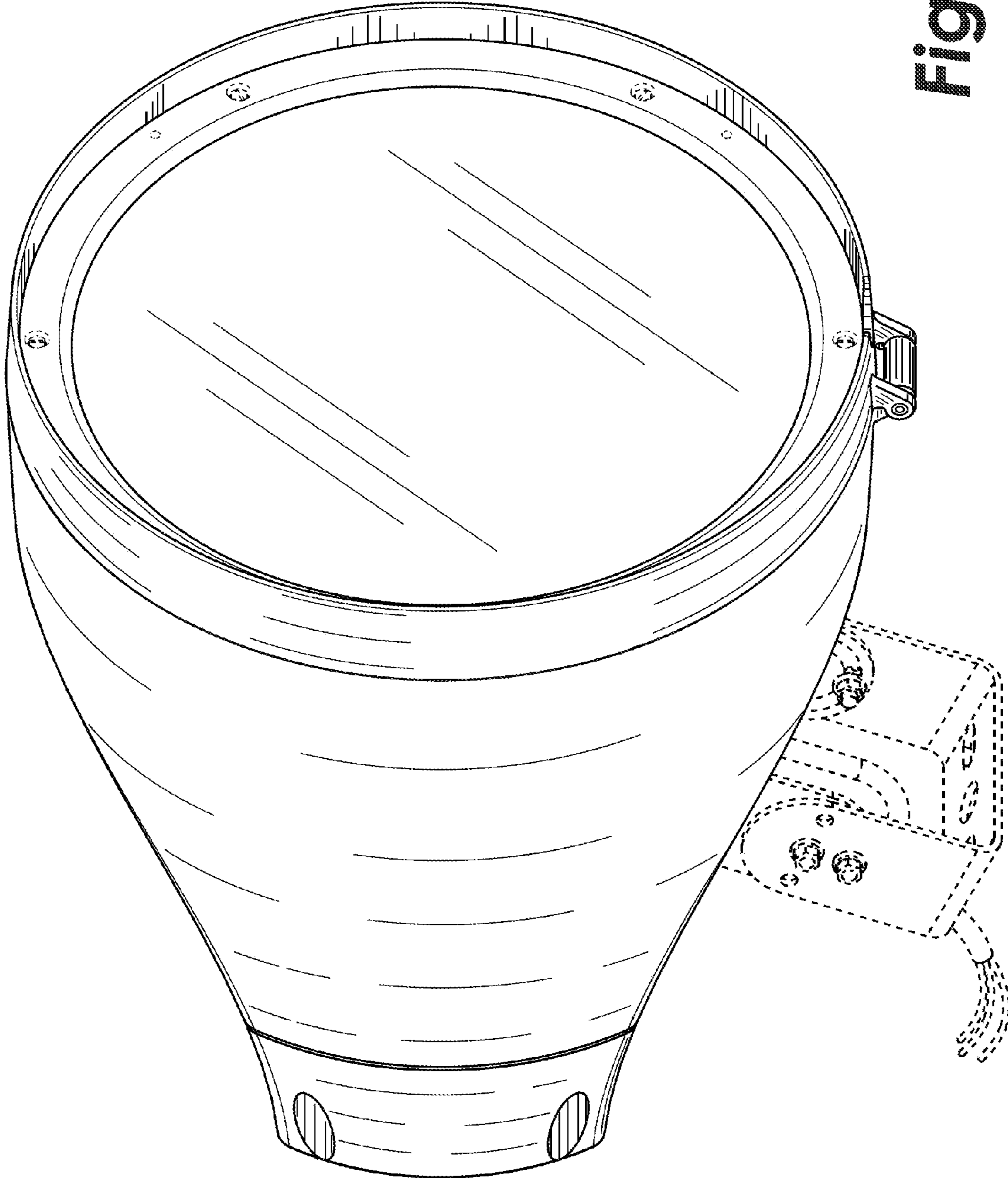


Fig. 1

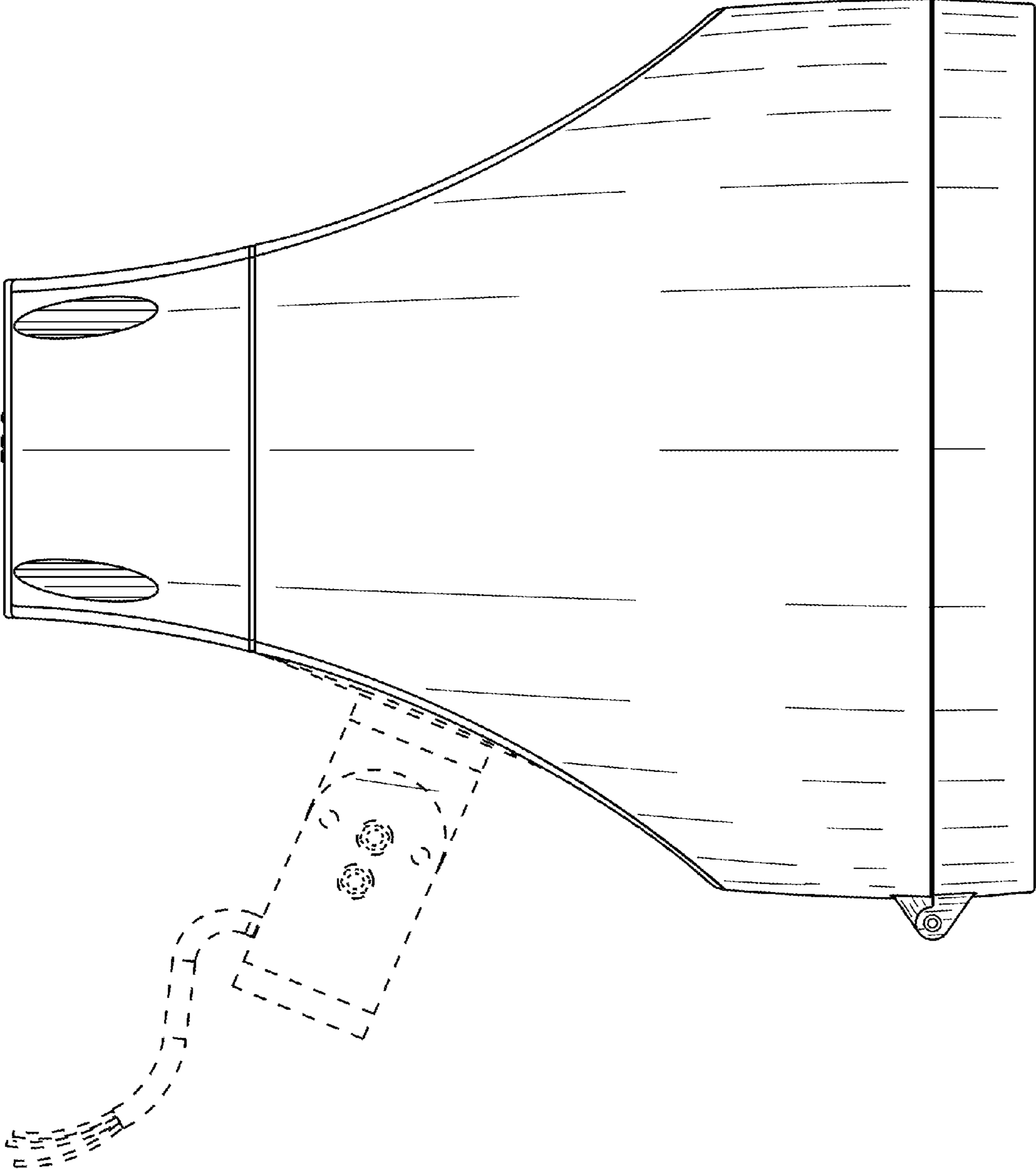


Fig. 2

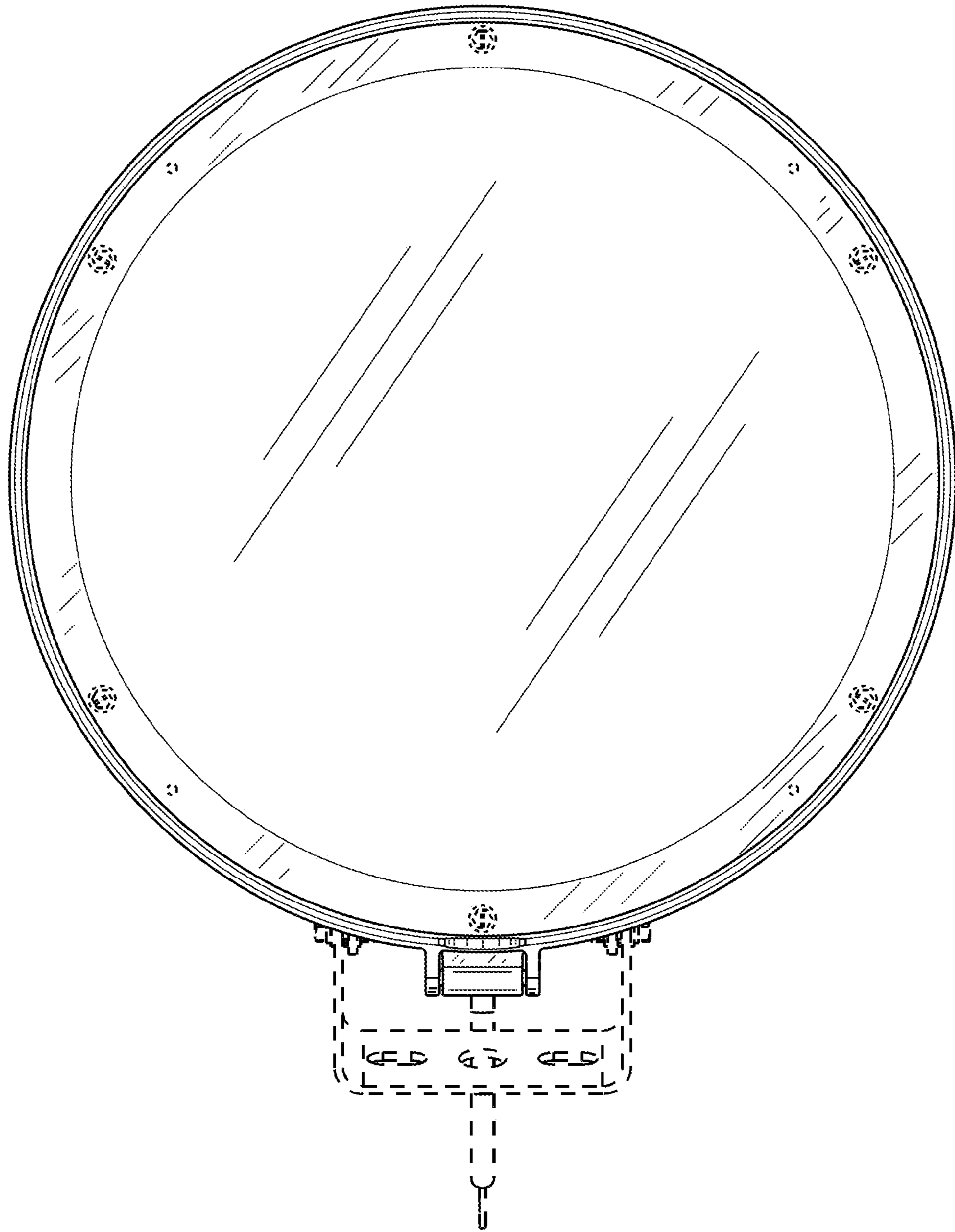


Fig. 3

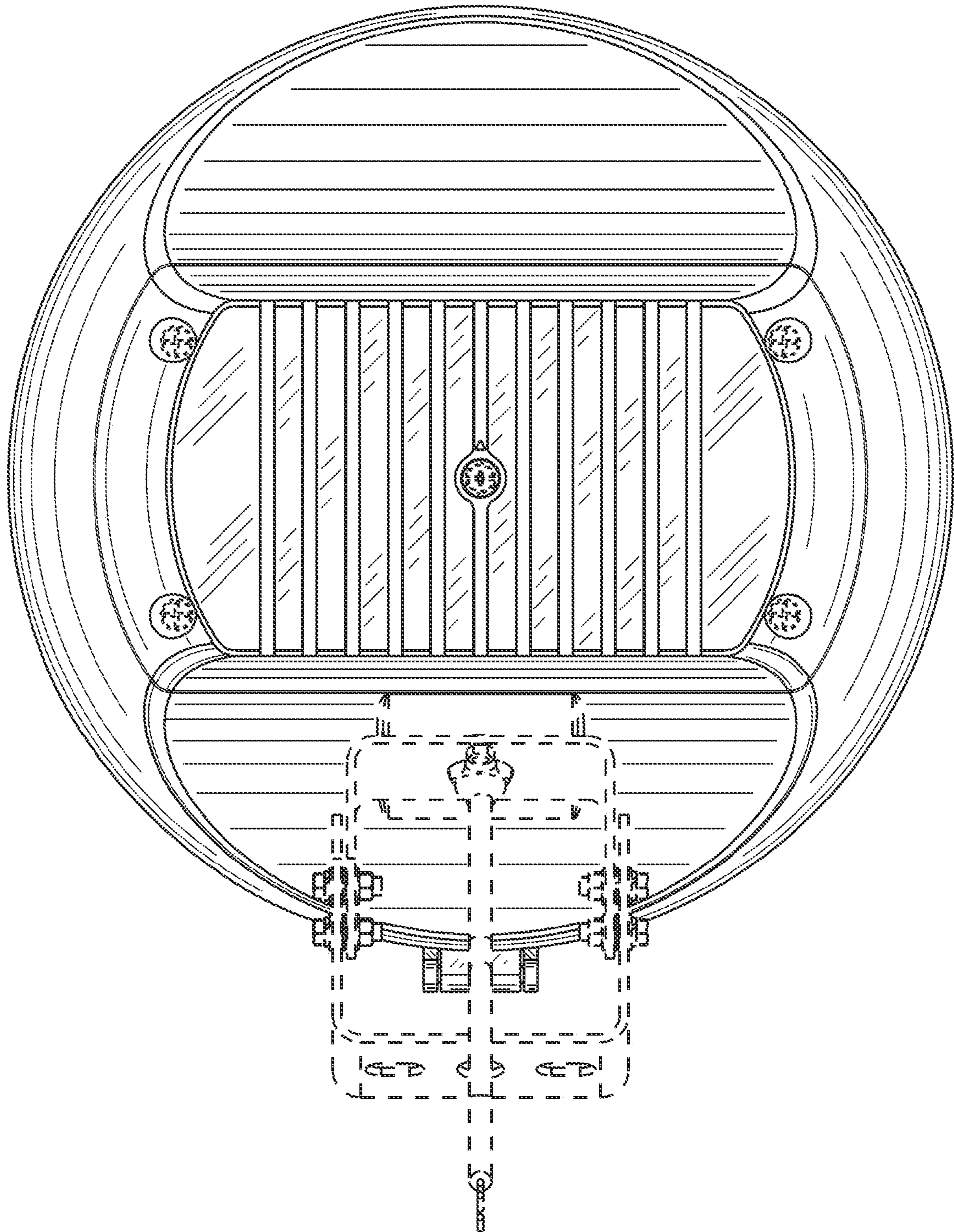


Fig. 4

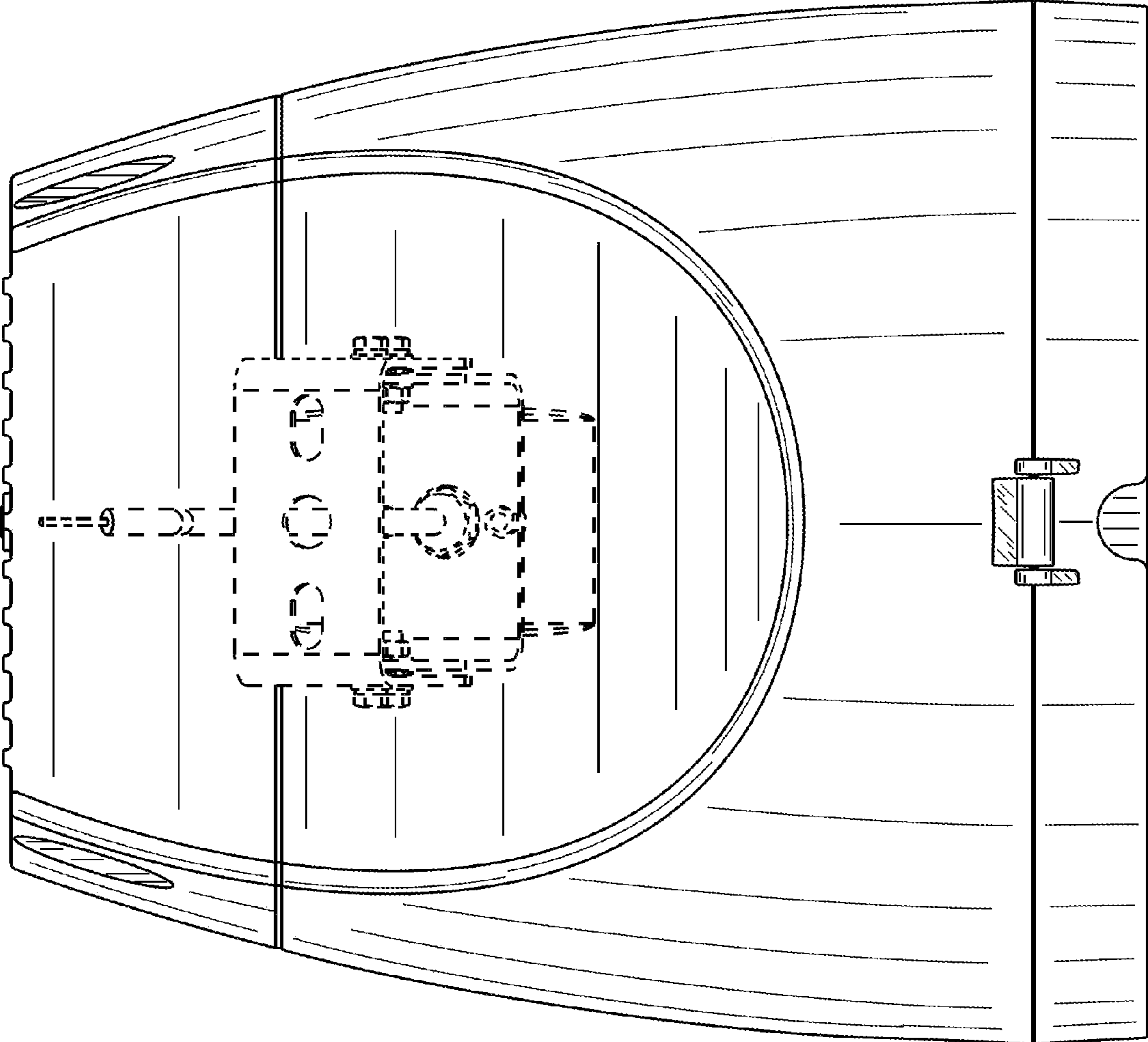


Fig. 5

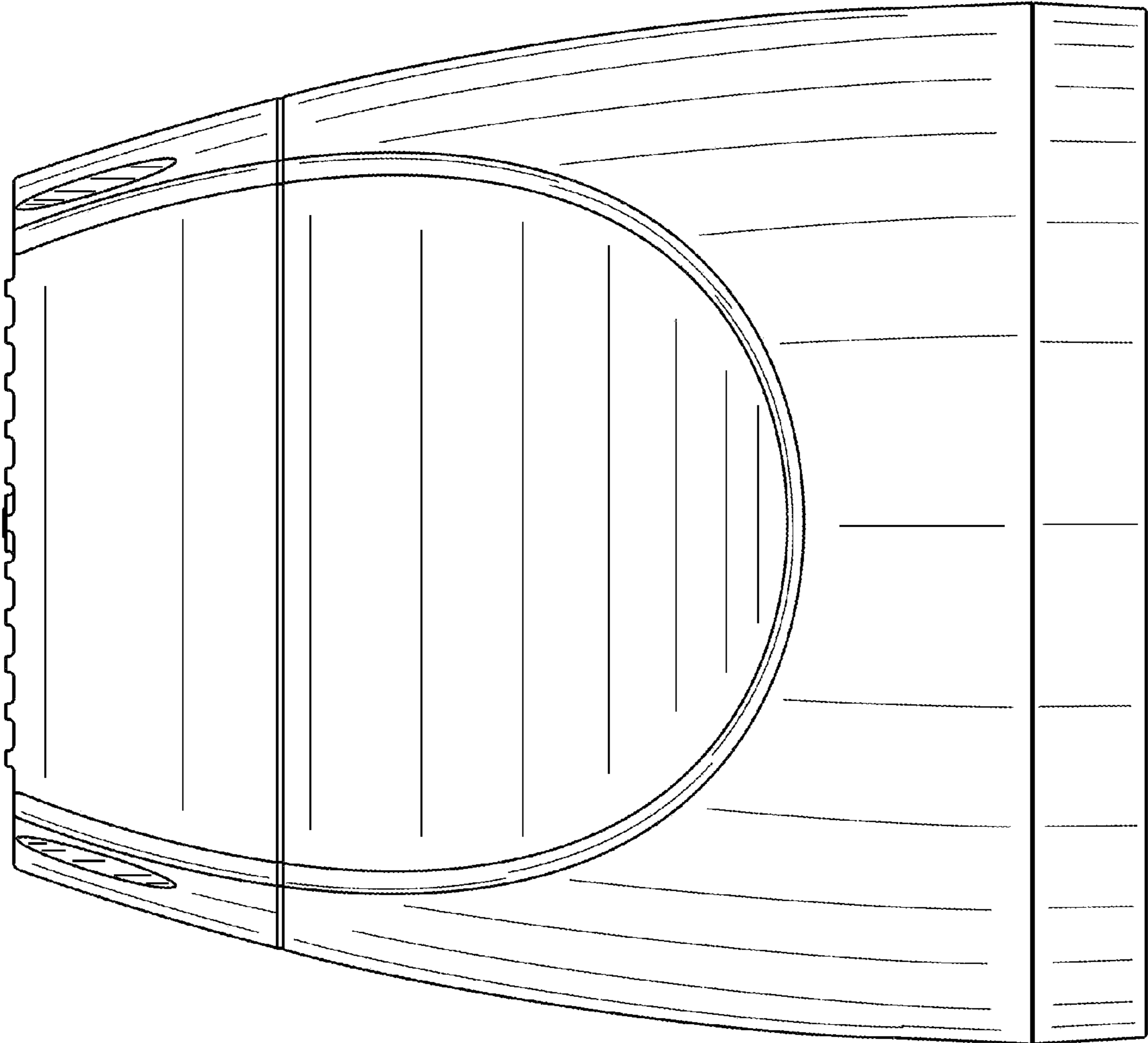


Fig. 6