



US00D624221S

(12) **United States Design Patent**  
**DeBrunner**

(10) **Patent No.:** **US D624,221 S**

(45) **Date of Patent:** **\*\* Sep. 21, 2010**

(54) **HEADLAMP**

(75) Inventor: **Daniel E. DeBrunner**, Wichita, KS (US)

(73) Assignee: **The Coleman Company, Inc.**, Wichita, KS (US)

(\*\*) Term: **14 Years**

(21) Appl. No.: **29/331,456**

(22) Filed: **Jan. 26, 2009**

(51) **LOC (9) Cl.** ..... **26-02**

(52) **U.S. Cl.** ..... **D26/39**

(58) **Field of Classification Search** ..... D26/37,  
D26/46, 39, 40, 41, 45, 48, 50; 362/103,  
362/105, 106, 108

See application file for complete search history.

(56) **References Cited**

**U.S. PATENT DOCUMENTS**

5,163,420	A	11/1992	Van Der Bel	
D405,202	S	2/1999	Fattori et al.	
D445,931	S *	7/2001	Shiu .....	D26/39
D470,615	S	2/2003	Janice et al.	
D477,680	S	7/2003	Petzl	
D482,471	S *	11/2003	Shiu .....	D26/39
D482,472	S *	11/2003	Shiu .....	D26/39
6,736,529	B1	5/2004	Lee	
D498,863	S *	11/2004	Poon .....	D26/28
6,877,875	B2	4/2005	Yu et al.	
6,955,444	B2	10/2005	Gupta	
D525,734	S *	7/2006	Shiao .....	D26/39
D529,213	S *	9/2006	Shiu .....	D26/39
D531,335	S	10/2006	Garrity	
D532,537	S *	11/2006	Shiu .....	D26/39
D532,538	S	11/2006	Yuen	
D534,289	S *	12/2006	Shiu .....	D26/39
D536,115	S *	1/2007	Shiu .....	D26/39
7,210,810	B1	5/2007	Iversen et al.	
D547,475	S *	7/2007	Xu .....	D26/39
D552,775	S *	10/2007	Shiu .....	D26/39
D553,277	S *	10/2007	Ho et al. ....	D26/39
D554,782	S	11/2007	Shiu	
D556,927	S *	12/2007	Shiu .....	D26/39

D557,843	S	12/2007	Hillard	
D564,111	S	3/2008	Hillard	
D566,310	S *	4/2008	Alessio .....	D26/39
D568,509	S *	5/2008	Shiu .....	D26/39
D573,736	S	7/2008	Poon	
D575,888	S *	8/2008	Shiu .....	D26/39
D576,328	S *	9/2008	Poon .....	D26/39
D577,842	S *	9/2008	Kumthampinij et al. ....	D26/39
D579,133	S *	10/2008	Shiu .....	D26/39
D590,083	S	4/2009	Petzl	
D592,781	S *	5/2009	Petzl .....	D26/39
2003/0067769	A1	4/2003	Gilpin	
2008/0205036	A1 *	8/2008	Tarter et al. ....	362/105

**OTHER PUBLICATIONS**

Page 30 from Coleman Company 2004 Outdoor Products Catalog.  
Pages 34 and 35 from Coleman Company 2005 Outdoor Products Catalog.

Pages 70 and 71 from Coleman Company 2006 Outdoor Products Catalog.

Page from Lighting section of Coleman Company 2008 Outdoor Products Catalog.

\* cited by examiner

*Primary Examiner*—Ian Simmons

*Assistant Examiner*—Carissa C Fitts

(74) *Attorney, Agent, or Firm*—Kelly S. Elsea

(57) **CLAIM**

The ornamental design for a headlamp, as shown and described.

**DESCRIPTION**

FIG. 1 is a front side perspective view of my headlamp;

FIG. 2 is a front elevation view thereof;

FIG. 3 is a rear elevation view thereof;

FIG. 4 is a left side elevation view thereof;

FIG. 5 is a right side elevation view thereof;

FIG. 6 is a top plan view thereof; and,

FIG. 7 is a bottom plan view thereof.

The broken line showing is for illustrative purposes only and forms no part of the claimed design.

**1 Claim, 2 Drawing Sheets**

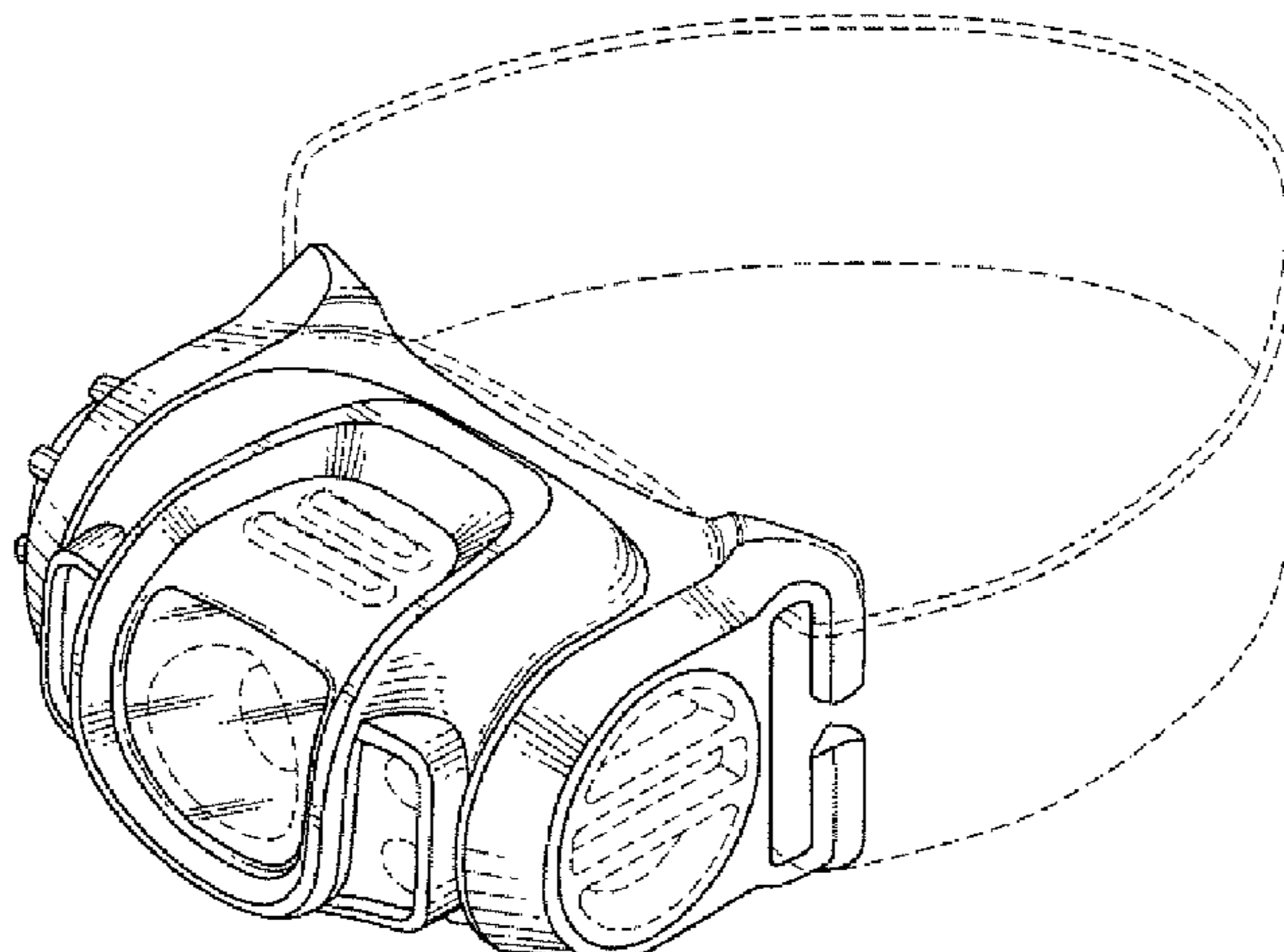


FIG. 1

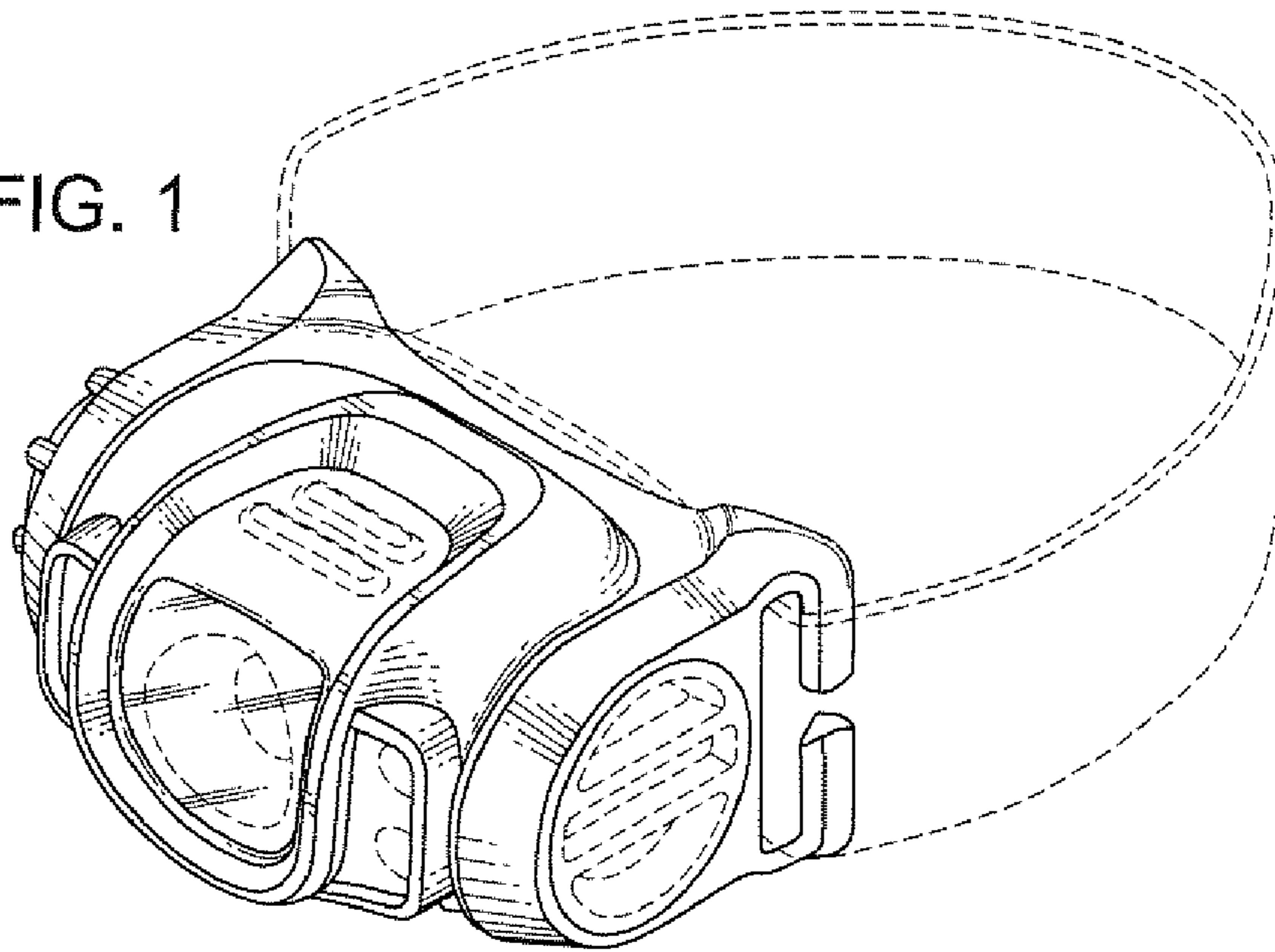


FIG. 2

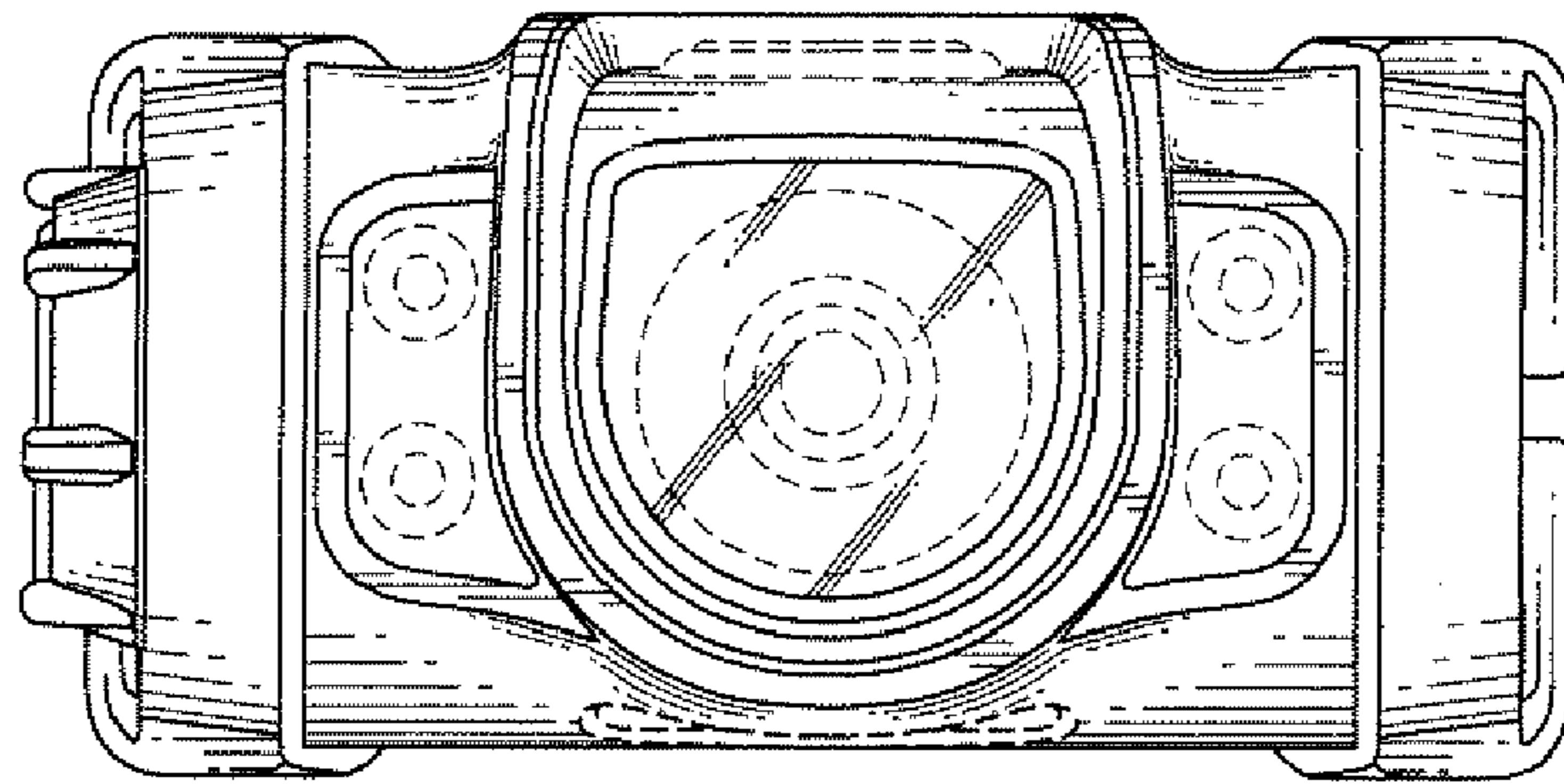


FIG. 3

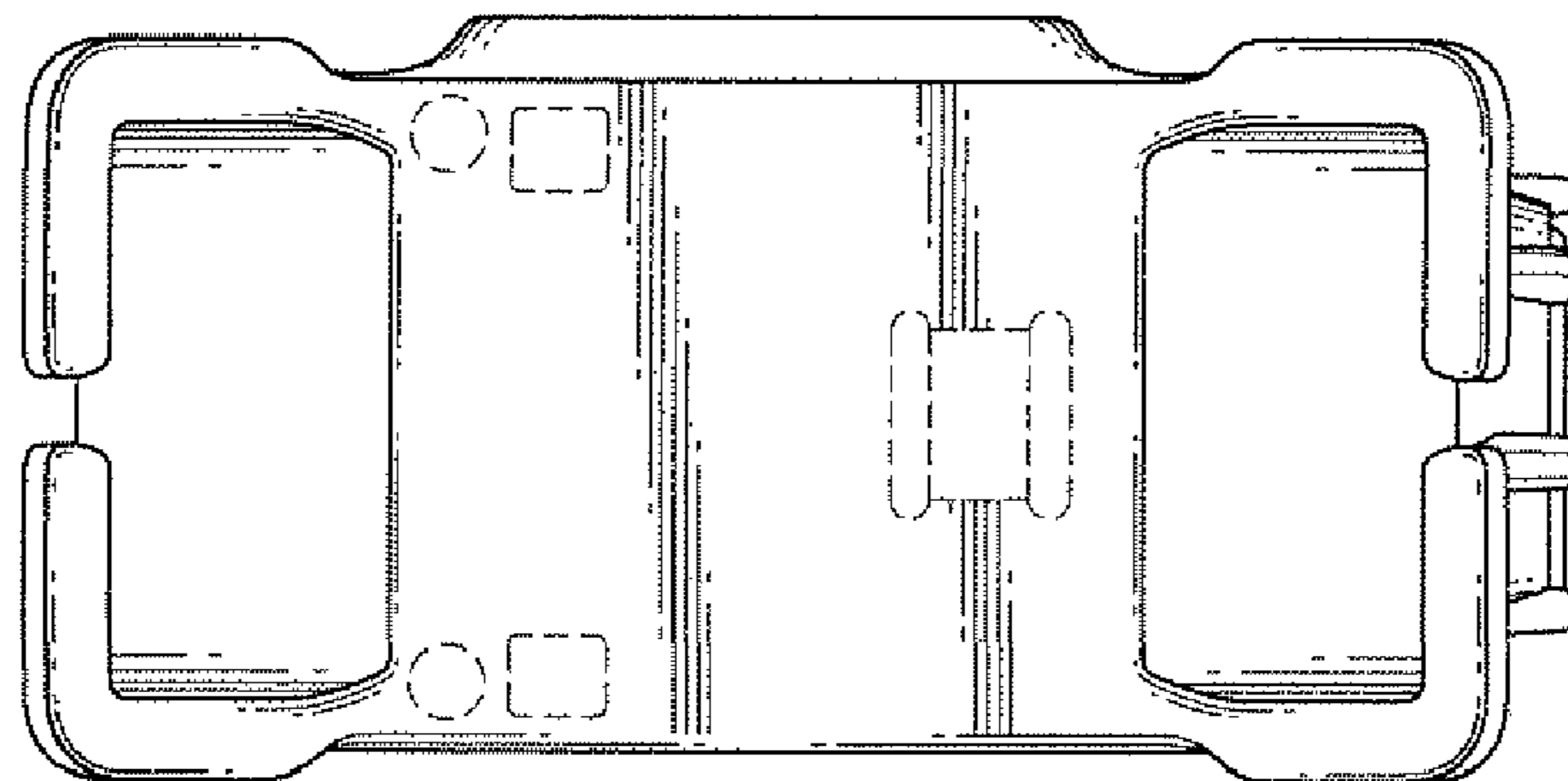


FIG. 4

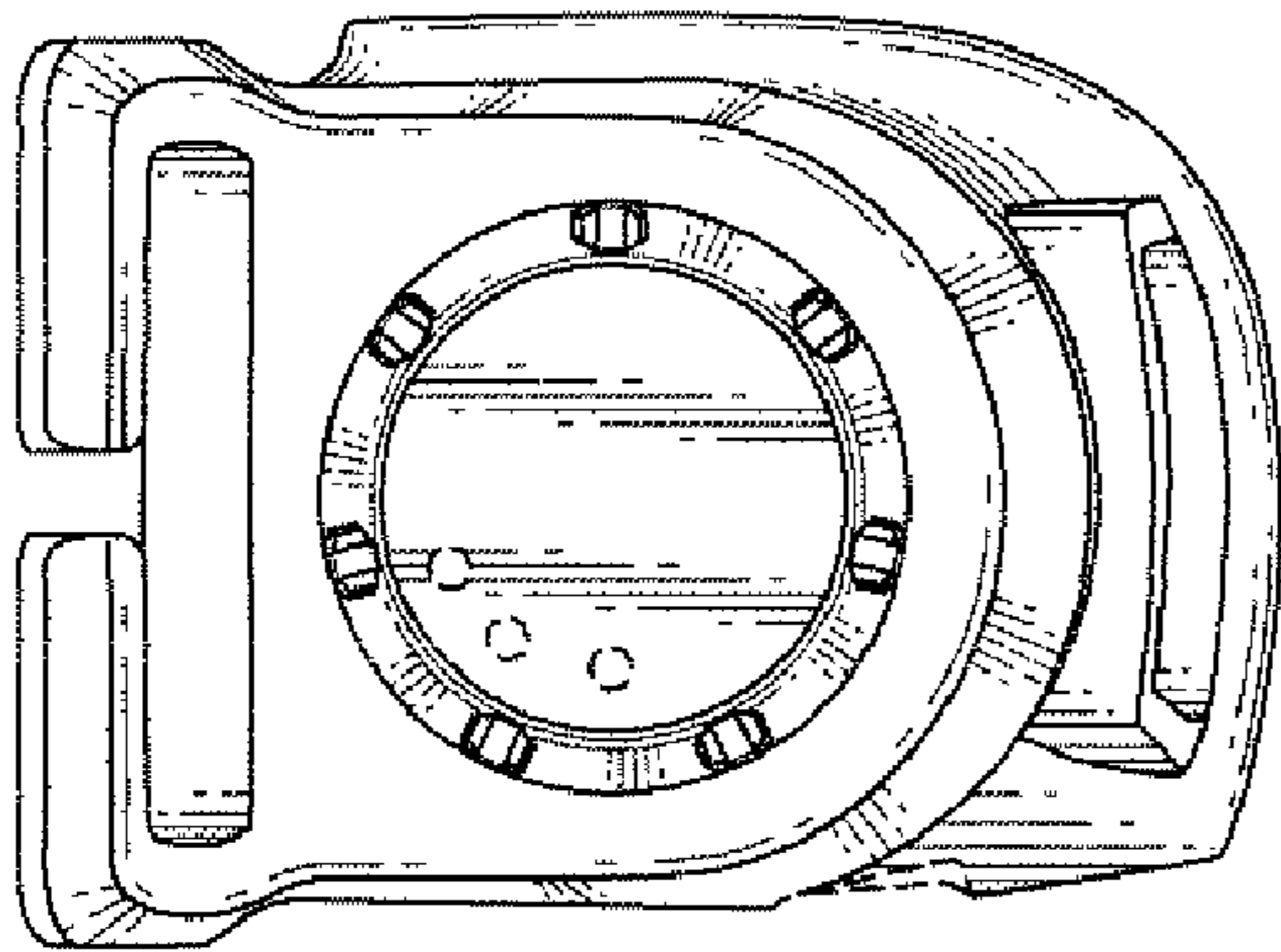


FIG. 5

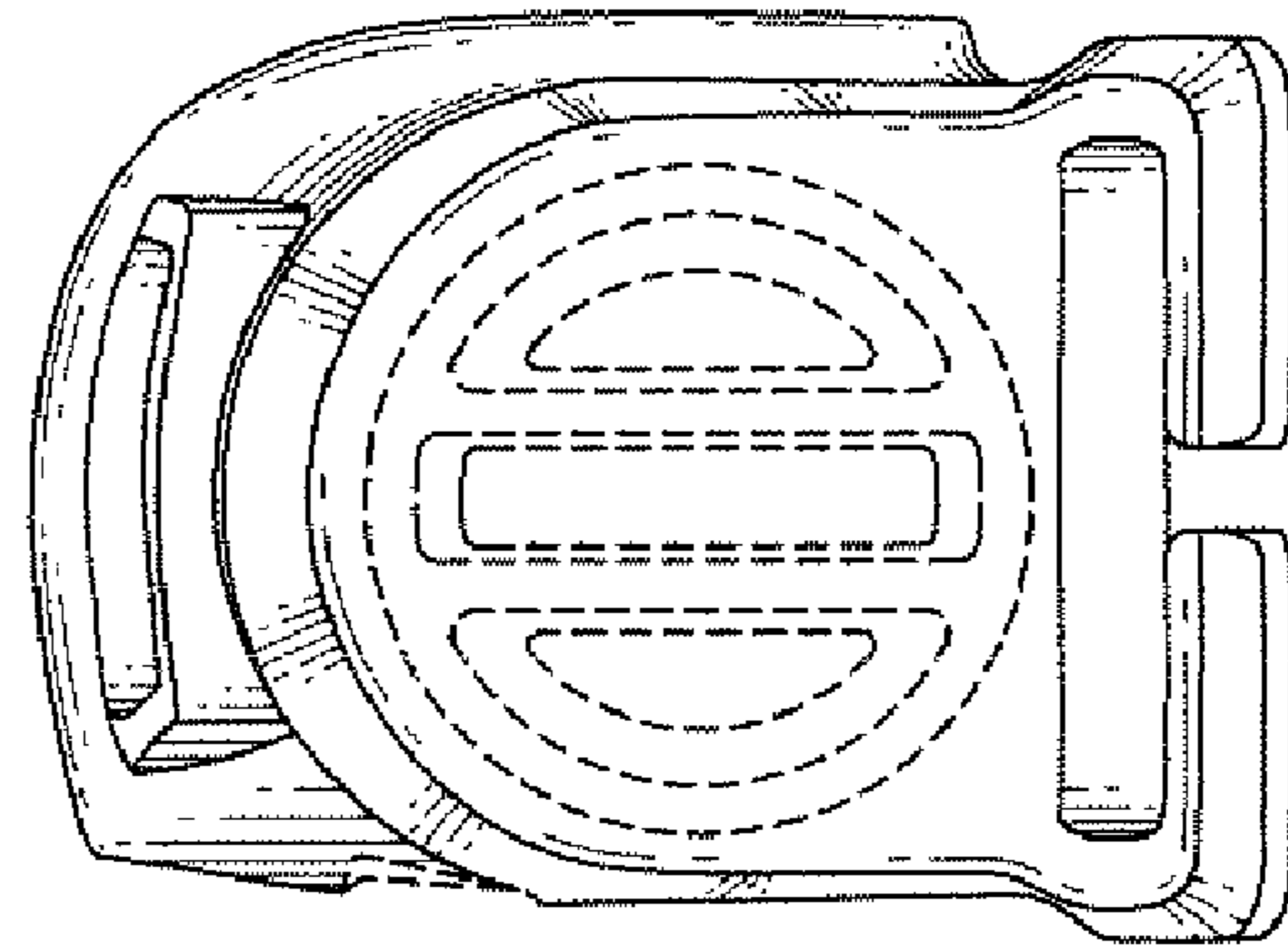


FIG. 6

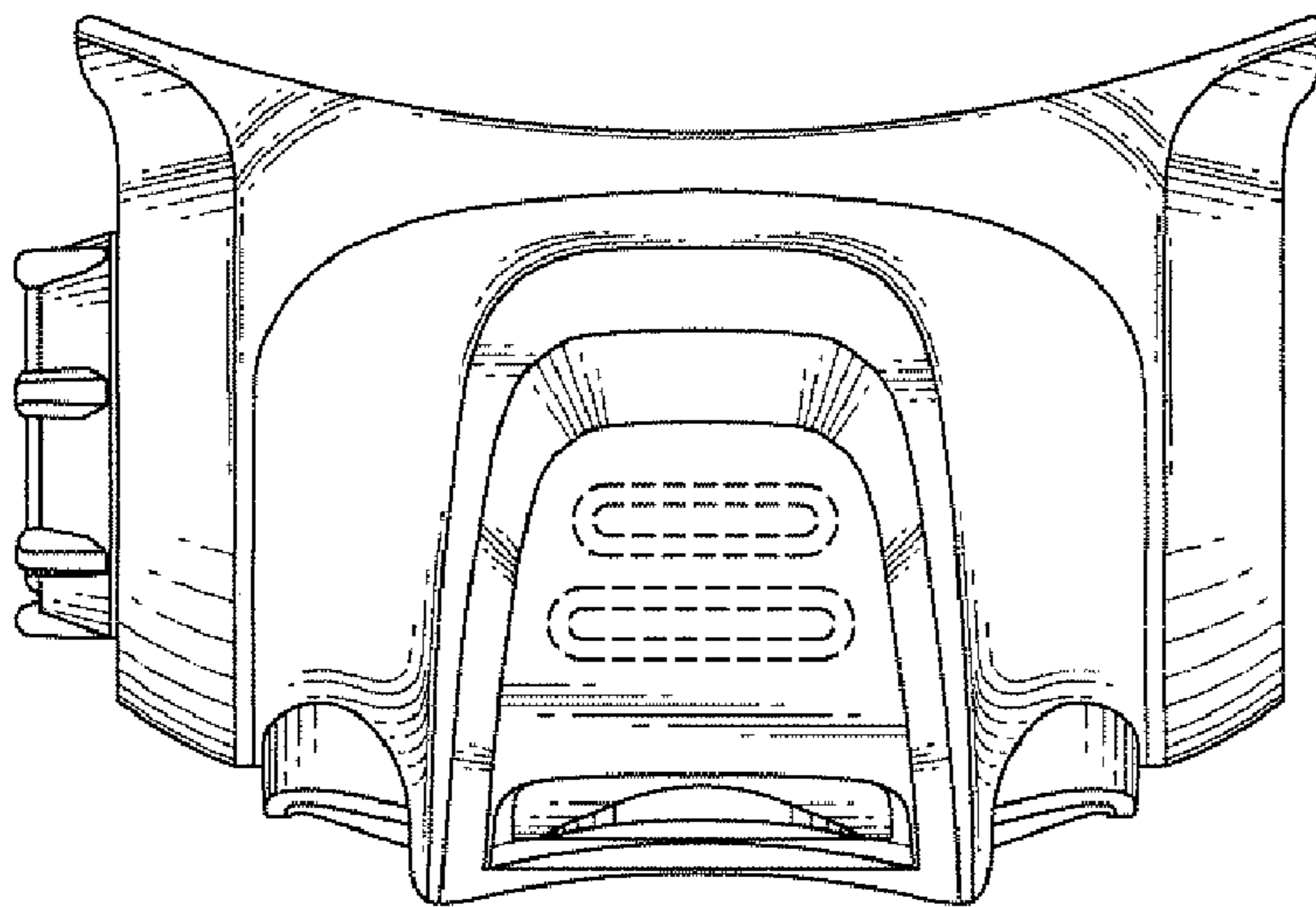


FIG. 7

