



US00D624220S

(12) **United States Design Patent**
Shaljian

(10) **Patent No.:** **US D624,220 S**

(45) **Date of Patent:** **** Sep. 21, 2010**

(54) **MAGNETIC FLASHLIGHT**

(76) **Inventor:** **Vartan Shaljian**, 7344 Laural Canyon Blvd., North Hollywood, CA (US) 91605

(**) **Term:** **14 Years**

(21) **Appl. No.:** **29/312,586**

(22) **Filed:** **Oct. 31, 2008**

(51) **LOC (9) Cl.** **26-02**

(52) **U.S. Cl.** **D26/38; D3/209**

(58) **Field of Classification Search** D26/37,
D26/38, 39, 45, 46, 49; 362/157, 158, 185,
362/194–196, 200–208, 103, 105, 106, 109;
D3/209

See application file for complete search history.

(56) **References Cited**

U.S. PATENT DOCUMENTS

D317,659 S *	6/1991	Hau	D26/38
D328,357 S *	7/1992	Schneider	D26/46
D355,272 S *	2/1995	Chabria	D26/46
D362,816 S *	10/1995	Yuen	D10/106
D374,492 S *	10/1996	Coe	D26/37
D378,618 S *	3/1997	Segan	D26/37
D422,103 S *	3/2000	Chen	D26/37
D425,226 S *	5/2000	Galli	D26/37
D433,170 S *	10/2000	Chan	D26/38
D439,688 S *	3/2001	Suzuki	D26/37
D497,019 S *	10/2004	Lee	D26/37

D542,449 S *	5/2007	Racoosin et al.	D26/51
D545,986 S *	7/2007	Griffin	D26/52
D555,588 S *	11/2007	Yuen	D13/106
D566,097 S *	4/2008	Bhavnani	D14/168
D569,798 S *	5/2008	Lee	D13/123

* cited by examiner

Primary Examiner—Charles A Rademaker

Assistant Examiner—Carissa C Fitts

(74) *Attorney, Agent, or Firm*—Larry D. Johnson

(57) **CLAIM**

The ornamental design for a magnetic flashlight, as shown and described.

DESCRIPTION

FIG. 1 is a top left front perspective view of a magnetic flashlight, showing my new design;

FIG. 2 is a front elevation view thereof;

FIG. 3 is a rear elevation view thereof;

FIG. 4 is a right side elevation view thereof;

FIG. 5 is a left side elevation view thereof;

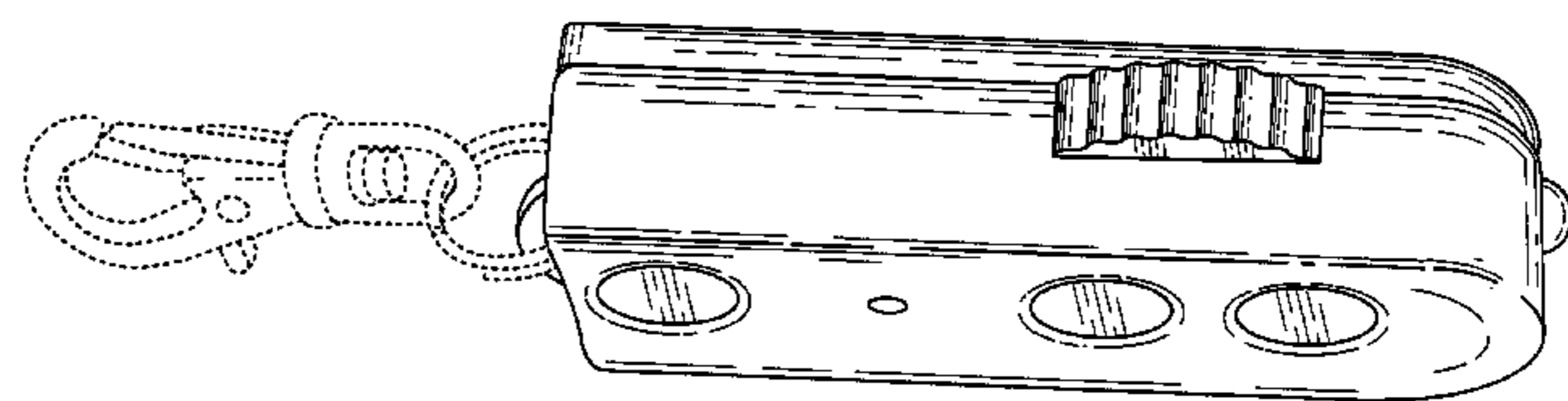
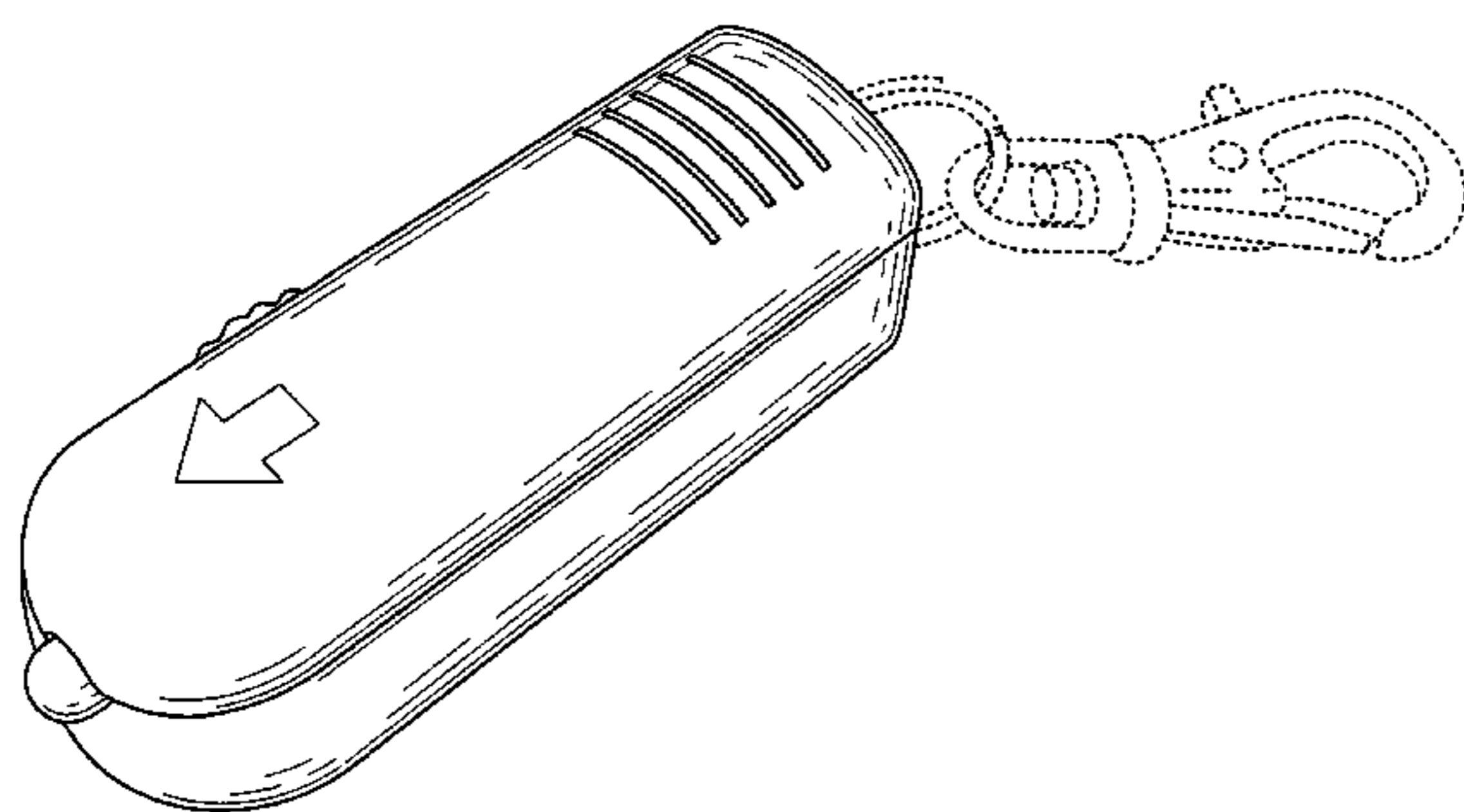
FIG. 6 is a top plan view thereof;

FIG. 7 is a bottom plan view thereof; and,

FIG. 8 is a rear perspective view thereof.

The broken line showing of a keychain detail is for environmental purposes only and forms no part of the claimed design.

1 Claim, 4 Drawing Sheets



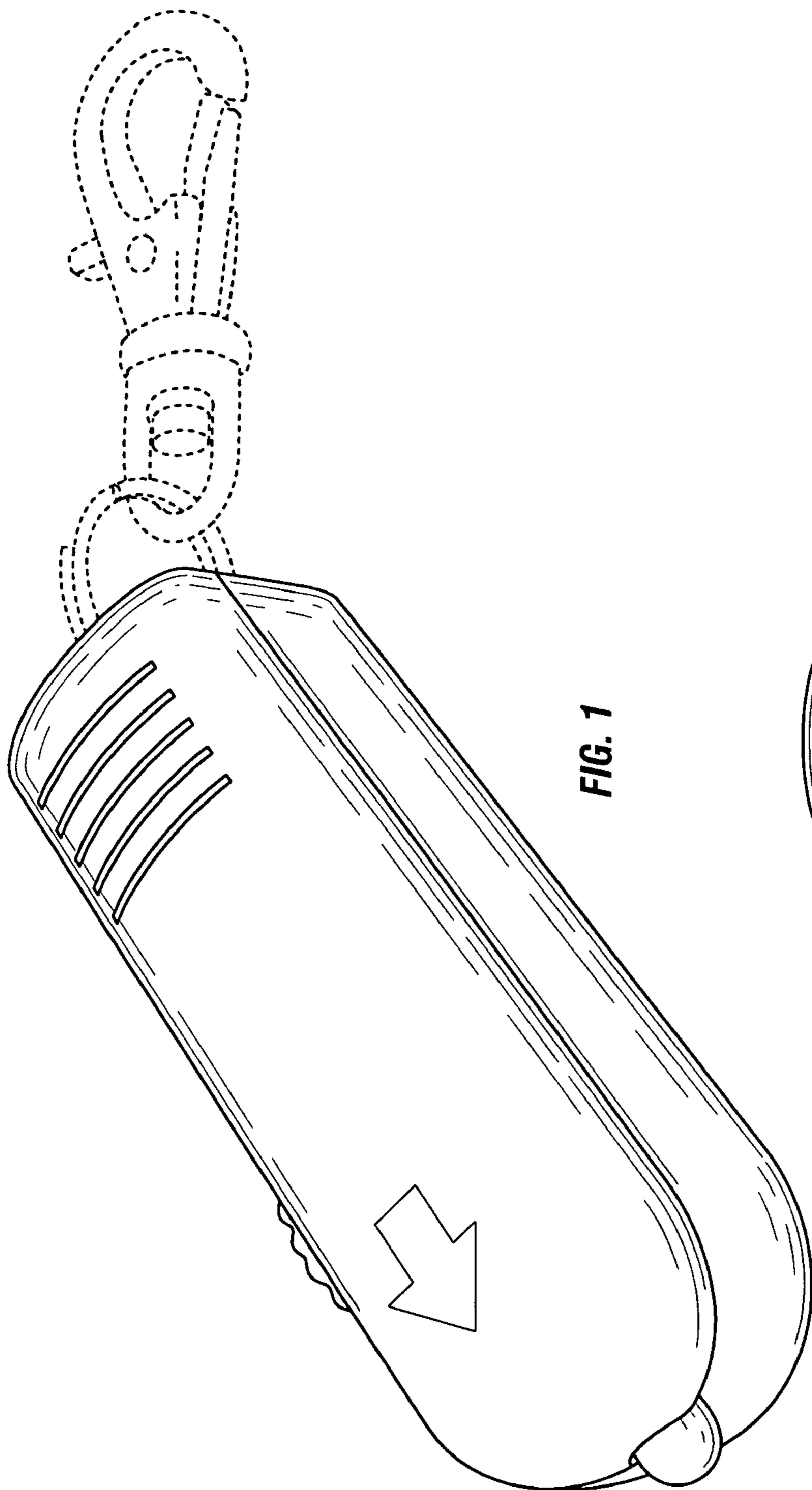


FIG. 1

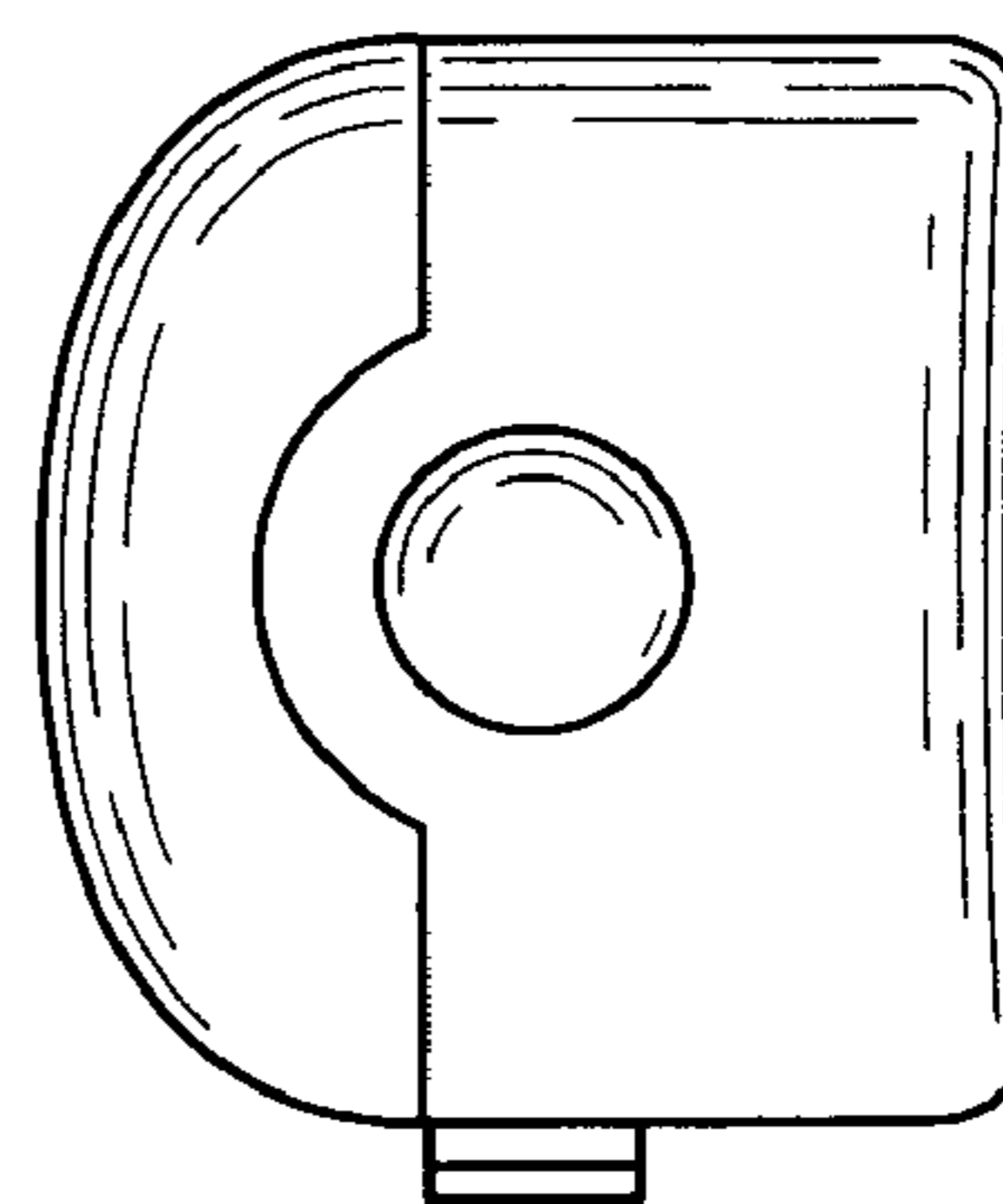


FIG. 2

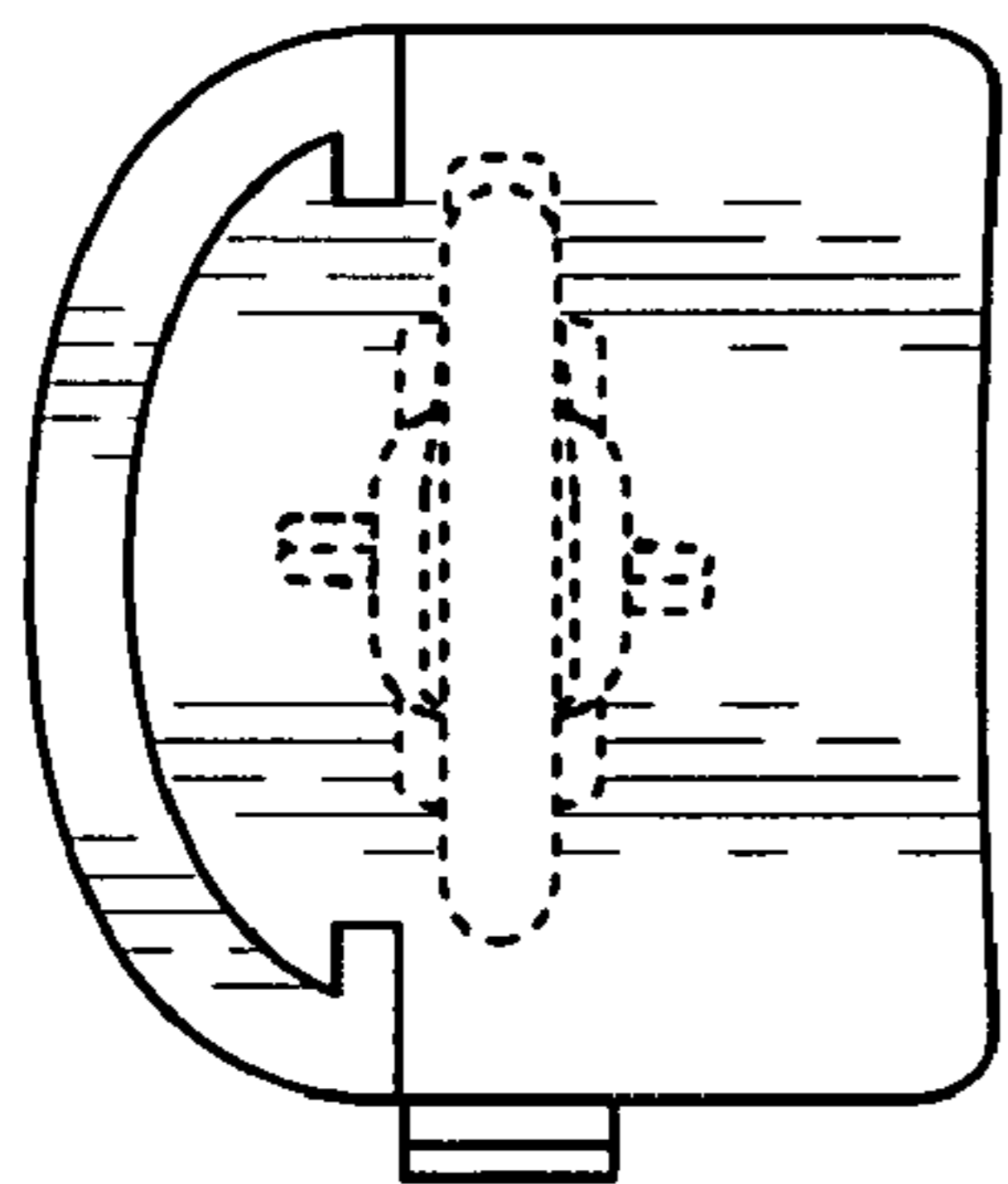


FIG. 3

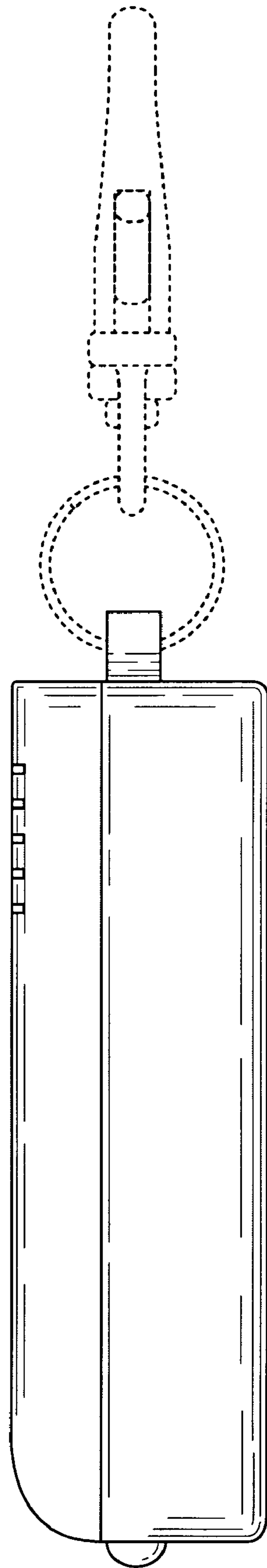


FIG. 4

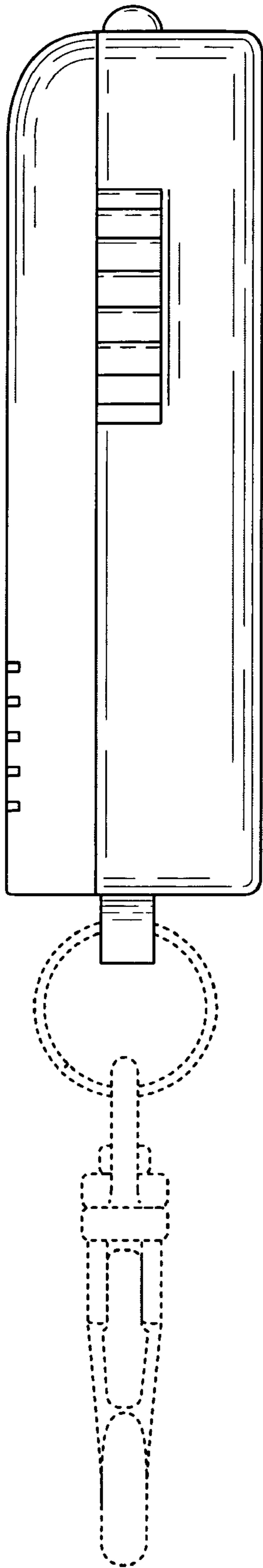


FIG. 5

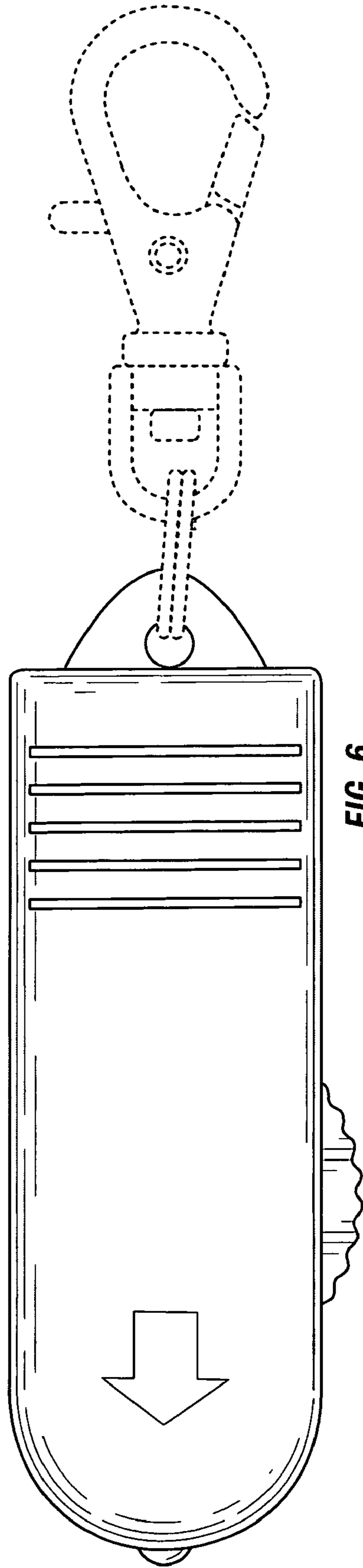


FIG. 6

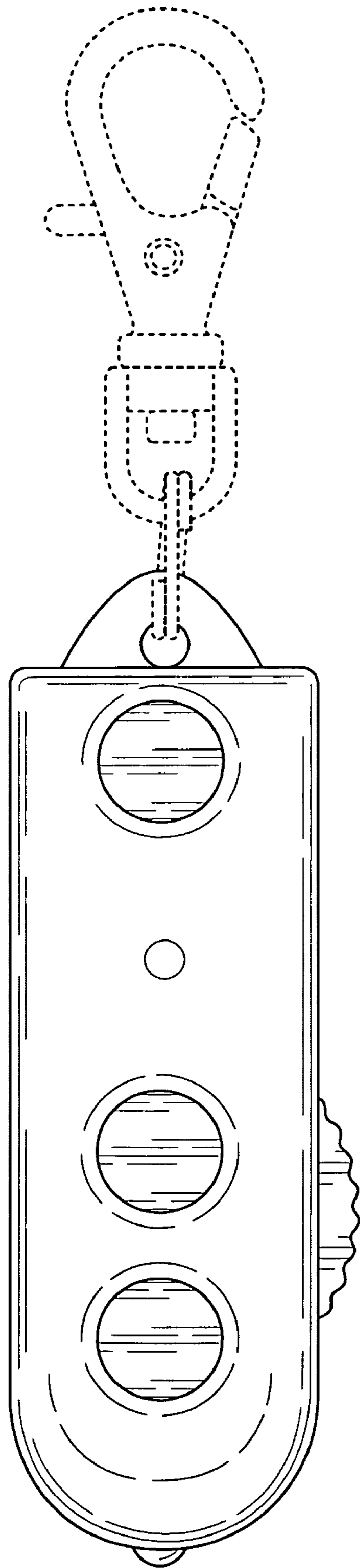


FIG. 7

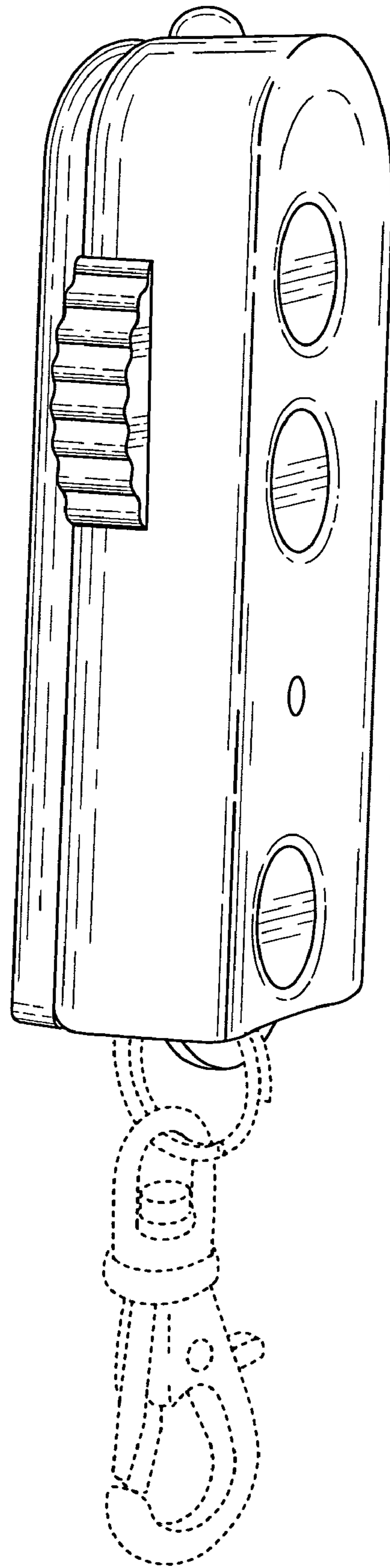


FIG. 8