



US00D624211S

(12) **United States Design Patent**  
**Donalson, Jr.**

(10) **Patent No.:** **US D624,211 S**

(45) **Date of Patent:** **\*\* Sep. 21, 2010**

(54) **FINIAL**

6,662,515 B2 \* 12/2003 Buhrts et al. .... 52/301  
6,698,725 B1 \* 3/2004 Berry ..... 256/11

(76) Inventor: **Walter C. Donalson, Jr.**, 1153  
Boldspring Rd., Cairo, GA (US) 31828

\* cited by examiner

(\*\*) Term: **14 Years**

*Primary Examiner*—Doris Clark  
(74) *Attorney, Agent, or Firm*—Langdale Vallotton, LLP;  
John P. Sinnott

(21) Appl. No.: **29/307,013**

(22) Filed: **Mar. 27, 2008**

(57) **CLAIM**

(51) **LOC (9) Cl.** ..... **25-01**

I claim the ornamental design for a finial, as shown and described.

(52) **U.S. Cl.** ..... **D25/135**

(58) **Field of Classification Search** ..... D25/135;  
52/57, 300, 301; 256/11; D21/753, 788,  
D21/771, 735; D29/107

**DESCRIPTION**

See application file for complete search history.

FIG. 1 is a front elevation view of a finial showing our new design.

FIG. 2 is a side elevation view.

FIG. 3 is a top plan view; and,

FIG. 4 is a bottom plan view.

(56) **References Cited**

**U.S. PATENT DOCUMENTS**

D237,628 S \* 11/1975 Russo ..... D25/135  
5,364,076 A \* 11/1994 Nicholls ..... 256/22

**1 Claim, 2 Drawing Sheets**

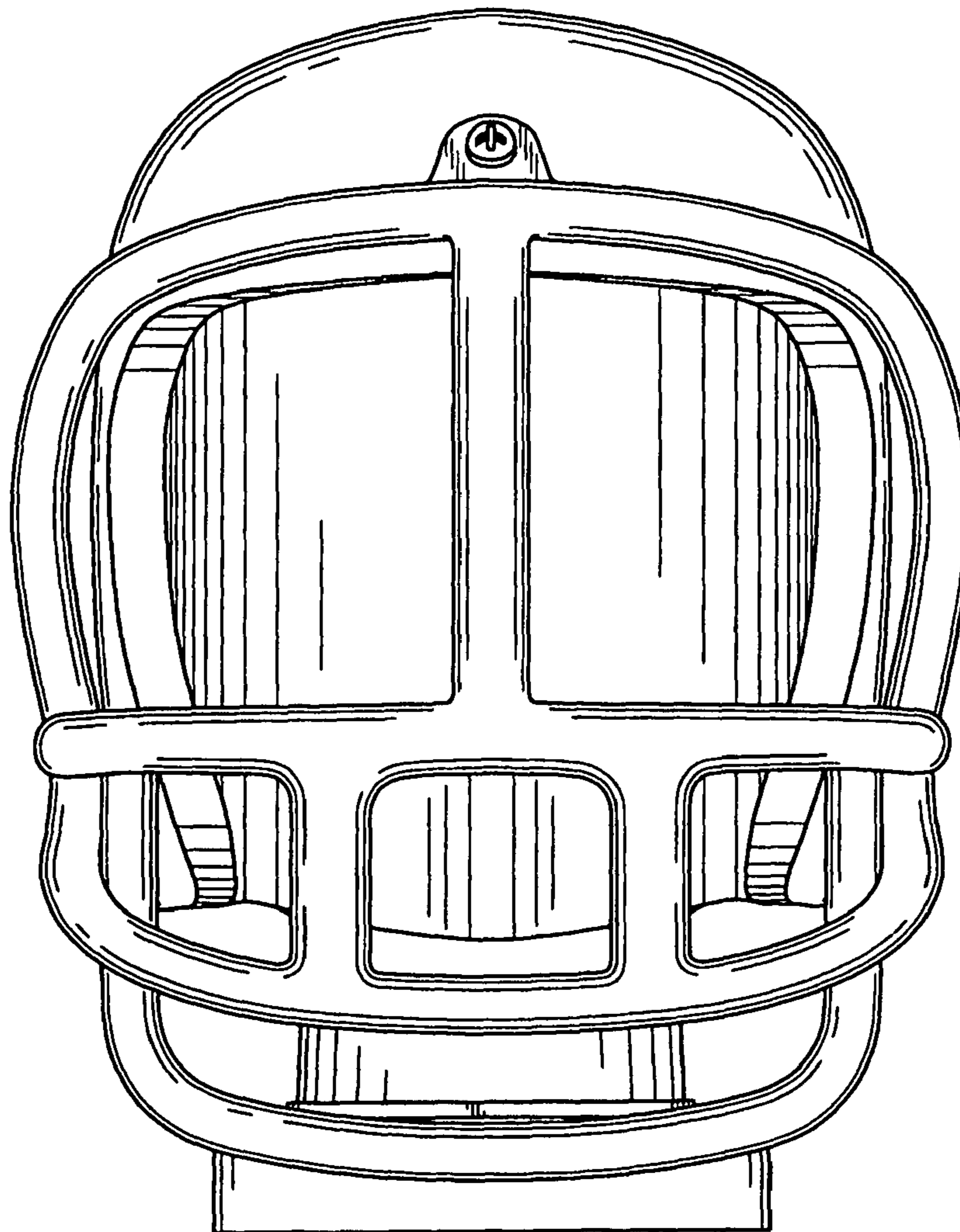


FIG. 2

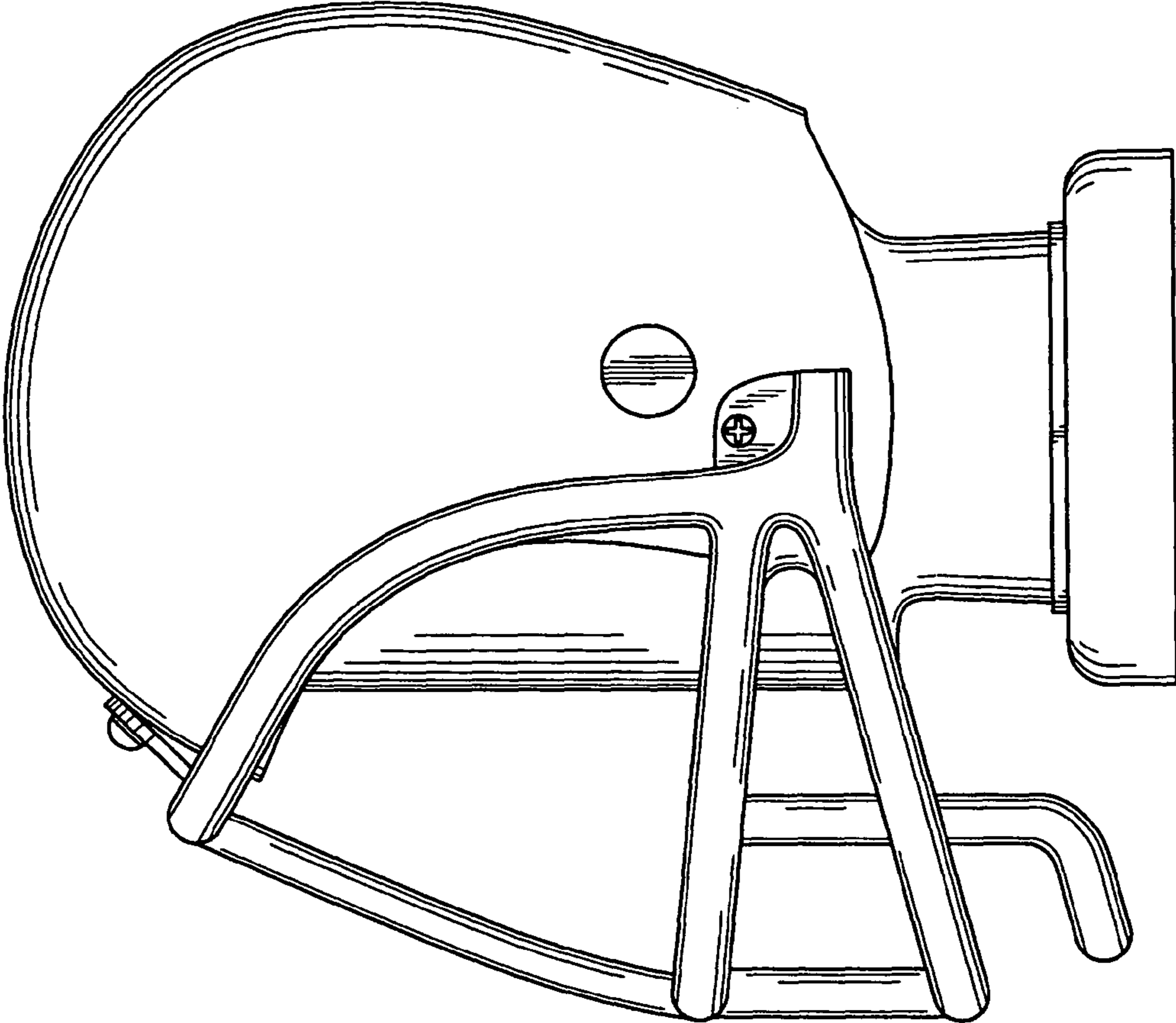


FIG. 1

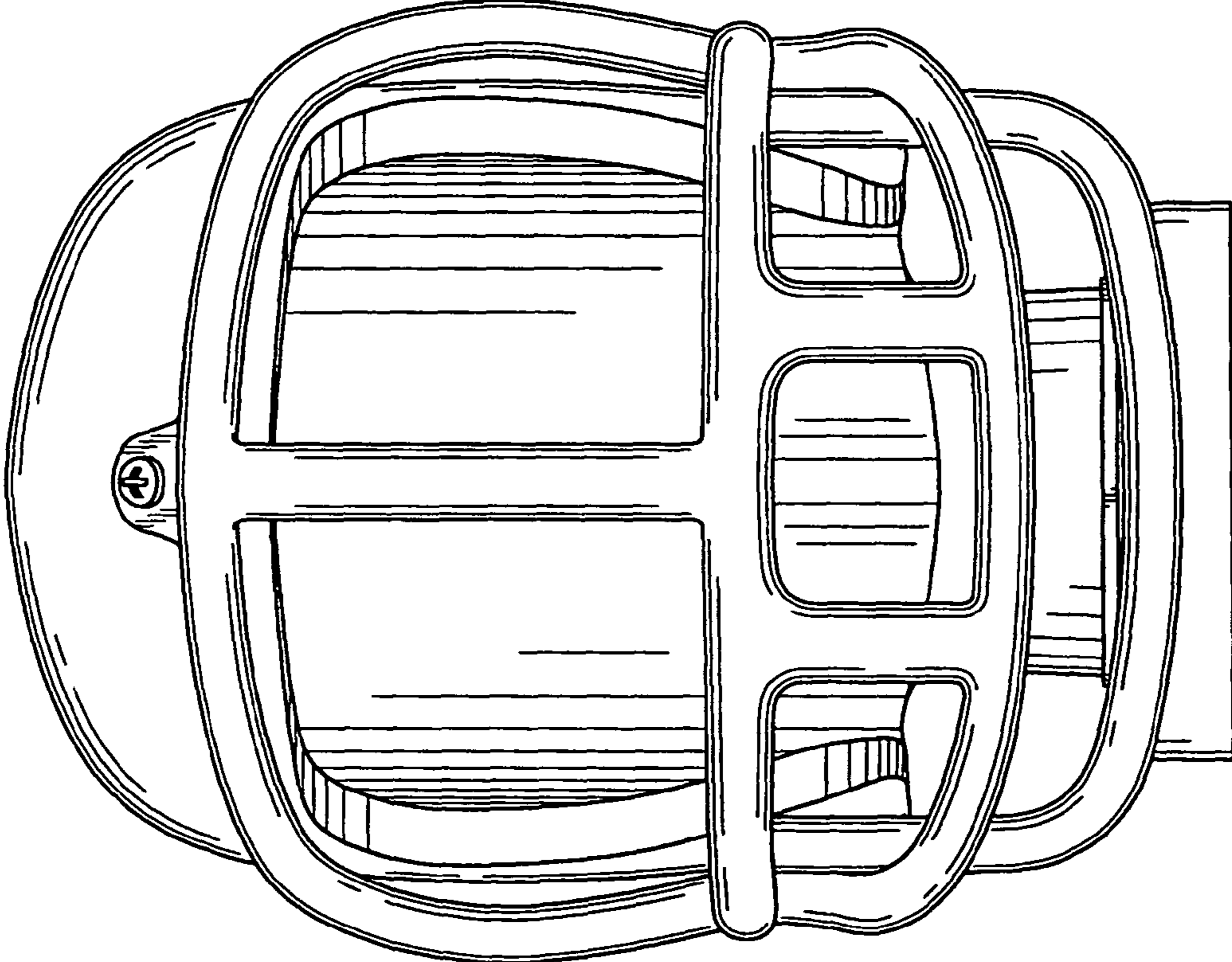


FIG. 4

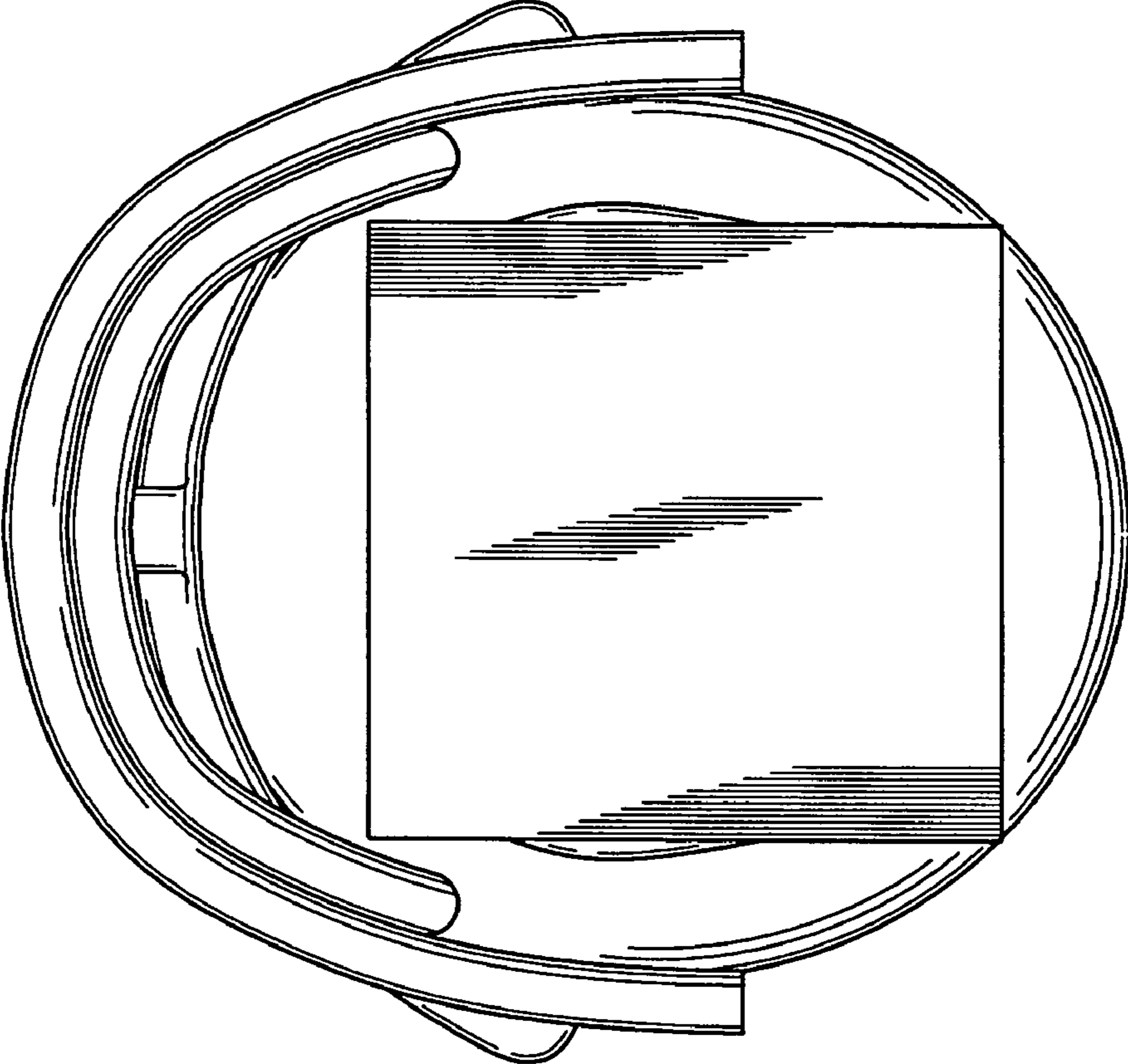


FIG. 3

