



US00D624208S

(12) **United States Design Patent**  
**Antonic**

(10) **Patent No.:** **US D624,208 S**

(45) **Date of Patent:** **\*\* Sep. 21, 2010**

(54) **STUD INTERLOCK COMPONENT**

3,877,194 A 4/1975 Matuschek et al.  
4,047,355 A 9/1977 Knorr

(76) Inventor: **James P. Antonic**, 9111 Southmont  
Cove, #406, Ft. Myers, FL (US) 33908

(Continued)

(\*\*) Term: **14 Years**

FOREIGN PATENT DOCUMENTS

FR 2871823 12/2005

(21) Appl. No.: **29/315,558**

(Continued)

(22) Filed: **Jul. 6, 2009**

OTHER PUBLICATIONS

(51) **LOC (9) Cl.** ..... **25-01**

Antonic, J., Stud Interlock design patent application (U.S. Appl. No. 29/273,324), including filing receipt, filed Mar. 2, 2007, 5 pages total (abandoned).

(52) **U.S. Cl.** ..... **D25/121**

(Continued)

(58) **Field of Classification Search** ..... D25/121,  
D25/136, 164, 119; 52/281, 282.2, 282.3,  
52/460, 461, 479, 481.1, 220.1, 716.1, 243,  
52/718.01, 718.04, 717.06, 718.05, 718.06,  
52/318, 290, 579, 311.1, 241, 311.2, 311.3,  
52/314, 236.9, 344, 465, 481.2

*Primary Examiner*—Doris Clark  
(74) *Attorney, Agent, or Firm*—Laura G. Barrow

See application file for complete search history.

(57) **CLAIM**

(56) **References Cited**

I claim the ornamental design for a stud interlock component, as shown and described.

U.S. PATENT DOCUMENTS

**DESCRIPTION**

1,958,124 A	7/1931	Bernis
1,959,135 A	5/1934	Miller
2,142,523 A	1/1939	McLaughlin, Jr.
2,256,394 A	9/1941	Lamel
2,380,834 A	6/1942	Goldman
2,356,309 A	8/1944	Garbe
2,363,164 A	11/1944	Waller
2,406,501 A	8/1946	Kratzmaier
2,731,116 A	1/1956	Hamilton
3,184,013 A	5/1965	Pavlecka
3,310,926 A	3/1967	Brandreth
3,332,188 A	7/1967	Schaefer
3,363,371 A	1/1968	Villalobos
3,498,014 A	3/1970	Fergen
3,533,205 A	10/1970	Pestel et al.
3,623,290 A	11/1971	Downing, Jr.
3,630,474 A	12/1971	Minor
3,821,868 A	7/1974	Edwards

FIG. 1 is a front/right/top perspective view of the stud interlock component showing my new design, shown broken in the center with a double line to indicate that no particular length is claimed.

FIG. 2 is a right side elevation view thereof. The left side is identical to the right side.

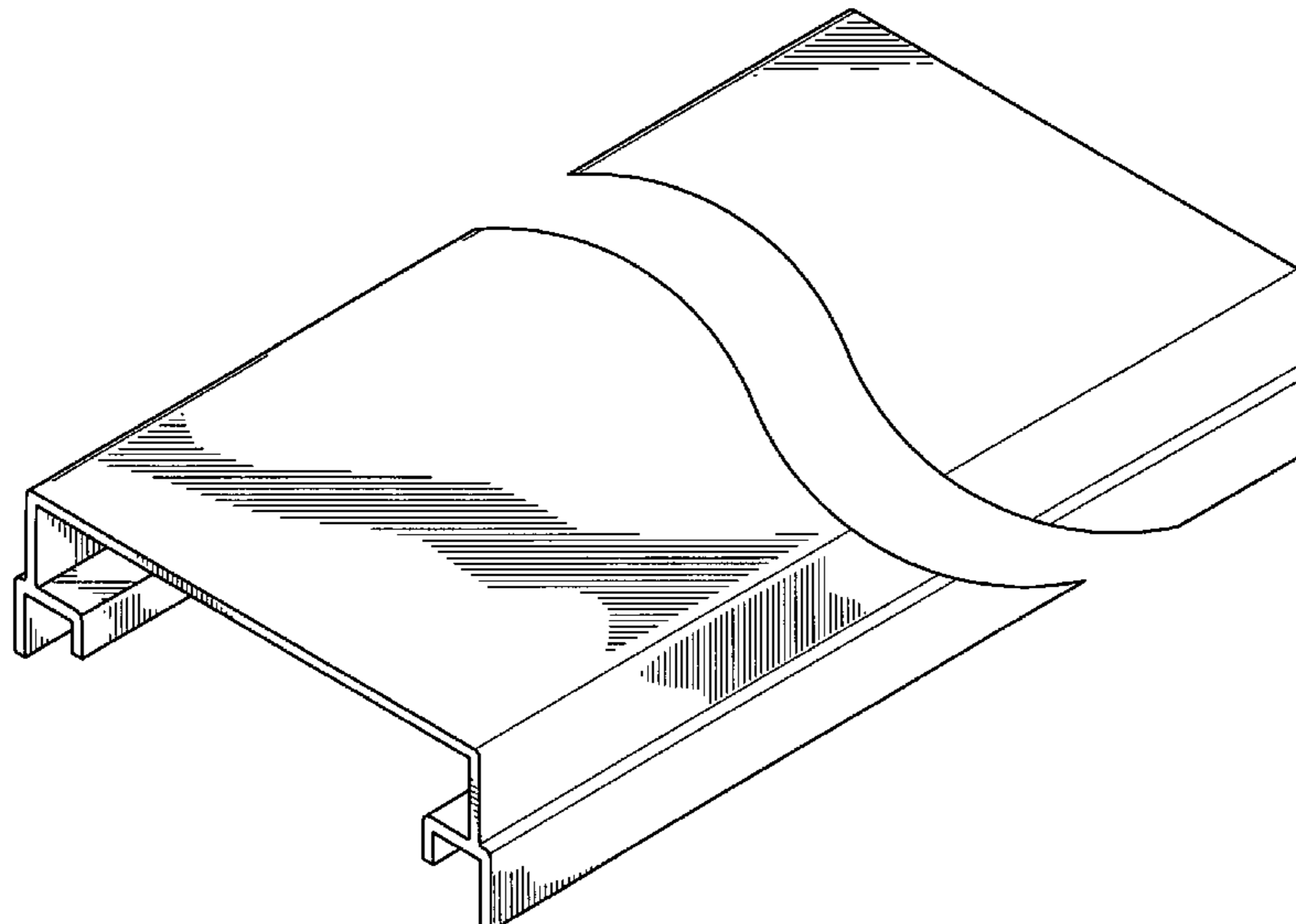
FIG. 3 is a front view thereof. The rear view is identical to the front view.

FIG. 4 is a top view thereof; and,

FIG. 5 is a bottom view thereof.

The double line shown in FIG. 1 forms no part of the claimed design. In addition, the shading lines shown in all of the drawings represent the approximate three-dimensional contour of the design, and thus are not intended to indicate surface decoration.

**1 Claim, 3 Drawing Sheets**



# US D624,208 S

Page 2

U.S. PATENT DOCUMENTS					
4,107,893	A	8/1978 Rensch	D423,690	S	4/2000 Grosfillex
4,124,186	A	11/1978 Call, Sr.	6,067,769	A	5/2000 Hardy
4,186,539	A	2/1980 Harmon et al.	D428,162	S *	7/2000 Eyring et al. .... D25/121
4,199,908	A	4/1980 Teeters	6,092,340	A	7/2000 Simmons
D256,663	S	9/1980 Gilb	D432,671	S	10/2000 Grosfillex
4,235,054	A	11/1980 Cable	6,216,395	B1	4/2001 Kelly
4,261,144	A	4/1981 Rizzo	6,223,494	B1	5/2001 Bright
4,272,930	A	6/1981 Foster	D443,810	S	6/2001 Ausilio
4,285,184	A	8/1981 Turner, Jr.	6,256,960	B1	7/2001 Babcock et al.
4,299,202	A	11/1981 Mayo et al.	6,260,601	B1	7/2001 Thomas
4,324,082	A	4/1982 Rutkowski et al.	D446,870	S	8/2001 Gardner
4,353,192	A	10/1982 Pearson et al.	6,272,796	B1	8/2001 Metzler
4,370,838	A	2/1983 Vermillion	6,276,094	B1	8/2001 Hays
D268,288	S	3/1983 Cowdroy	D447,574	S	9/2001 Fening
4,542,614	A	9/1985 Malachowski	D448,495	S *	9/2001 Lamberts ..... D25/121
D283,352	S	4/1986 Bancroft	6,298,612	B1	10/2001 Adams
4,612,744	A	9/1986 Shamash	6,314,704	B1	11/2001 Bryant
D286,199	S	10/1986 Bancroft	D452,016	S	12/2001 Hall
4,630,547	A	12/1986 Przybylinski et al.	6,336,298	B1	1/2002 Chou
4,660,339	A	4/1987 Paz	6,341,458	B1	1/2002 Burt
4,689,930	A	9/1987 Menchetti	6,415,580	B2	7/2002 Ojala
4,714,372	A	12/1987 Commins	6,427,403	B1	8/2002 Tambakis
4,744,192	A	5/1988 Commins	6,438,903	B1	8/2002 Weiss
D297,502	S	9/1988 Archambeau	D465,586	S	11/2002 Krieger
4,812,075	A	3/1989 Lavin, Sr.	6,519,911	B1	2/2003 Sawada
D318,130	S	7/1991 Abbestam et al.	D473,123	S	4/2003 Anderson
5,069,263	A	12/1991 Edwards	D473,955	S	4/2003 Gregori
5,070,667	A	12/1991 Schulte	6,553,731	B2	4/2003 Hsueh
5,081,813	A	1/1992 White	D474,286	S	5/2003 Gregori
5,092,100	A	3/1992 Lambert et al.	D474,549	S	5/2003 Krieger
5,260,525	A	11/1993 Morse	6,581,337	B1	6/2003 Skov et al.
D342,662	S	12/1993 Lavin, Sr.	6,655,096	B1	12/2003 Pryor
D349,166	S	7/1994 Beard, Jr.	6,684,573	B2	2/2004 Heath et al.
5,339,798	A	8/1994 Christian	6,739,562	B2	5/2004 Rice
5,390,460	A	2/1995 Llorens	6,754,999	B1	6/2004 Urbanczk
5,394,665	A	3/1995 Johnson	D492,889	S	7/2004 Craine
5,403,062	A	4/1995 Sjostedt et al.	6,789,358	B2	9/2004 Procton et al.
D358,755	S	5/1995 Davis	6,802,169	B2	10/2004 Simmons
5,423,156	A	6/1995 Nellessen, Jr.	6,834,468	B1	12/2004 Kroie
D363,997	S	11/1995 Nomura	D500,667	S	1/2005 Murphy et al.
D364,331	S	11/1995 Leek	6,837,012	B2	1/2005 Scherrer et al.
D371,208	S	6/1996 De Zen	6,837,019	B2	1/2005 Collie
D371,505	S	7/1996 Young	6,931,796	B2	8/2005 Adriaansen et al.
5,561,955	A	10/1996 Frobosilo et al.	D511,086	S	11/2005 Craine
D377,598	S	1/1997 Beard, Jr.	D511,217	S	11/2005 Bullock et al.
5,592,794	A	1/1997 Tundaun	D523,565	S	6/2006 Antonic
D378,422	S	3/1997 Howe	D523,735	S	6/2006 Craine
5,611,173	A	3/1997 Headrick et al.	7,086,204	B2	8/2006 Salzer
5,644,888	A	7/1997 Johnson	D537,537	S	2/2007 Antonic
D384,169	S	9/1997 Leonelli	7,178,305	B2	2/2007 Petrova
5,664,388	A	9/1997 Chapman et al.	D540,479	S	4/2007 Antonic
5,678,797	A	10/1997 Grogan	7,207,148	B2 *	4/2007 Surowiecki ..... 52/653.1
5,706,620	A	1/1998 De Zen	D544,784	S	6/2007 Antonic
5,706,626	A	1/1998 Mueller	D549,851	S	8/2007 Antonic
5,735,090	A	4/1998 Papke	D552,947	S	10/2007 Ewasiuk
5,755,064	A	5/1998 Meyer et al.	D553,261	S	10/2007 Antonic
5,758,466	A	6/1998 Tucker	D553,761	S	10/2007 Antonic
5,794,746	A	8/1998 Ketonen et al.	D554,273	S	10/2007 Antonic
5,797,233	A	8/1998 Hascall	D554,773	S	11/2007 Antonic
5,799,454	A	9/1998 Anderson	D554,774	S	11/2007 Antonic
5,802,798	A	9/1998 Martens	D554,775	S	11/2007 Antonic
D400,080	S	10/1998 Beard, Jr.	D555,259	S	11/2007 Antonic
5,837,363	A	11/1998 Colafati	D555,467	S	11/2007 Pecoraro
5,848,512	A	12/1998 Conn	D561,353	S	2/2008 Antonic
D407,828	S	4/1999 Hart	D561,354	S	2/2008 Antonic
5,927,039	A	7/1999 De Boer	D561,355	S	2/2008 Antonic
5,930,968	A	8/1999 Pullam	7,334,377	B2	2/2008 Dubensky et al.
5,950,385	A	9/1999 Herren	D574,518	S	8/2008 Antonic
D417,737	S *	12/1999 Stansfield ..... D25/121	D574,697	S	8/2008 Green
6,003,279	A	12/1999 Schneider	D581,253	S	11/2008 Antonic
6,023,898	A	2/2000 Josey	D588,440	S	3/2009 Antonic
			7,513,082	B2	4/2009 Johnson
			2002/0066245	A1	6/2002 Pryor



# US D624,208 S

Page 3

---

2002/0069600 A1 6/2002 Bryant  
2002/0092245 A1 7/2002 Floyd et al.  
2002/0148178 A1 10/2002 Farag  
2003/0029124 A1 2/2003 Wise  
2003/0089066 A1 5/2003 Nelson  
2003/0217521 A1 11/2003 Richardson et al.  
2004/0068947 A1 4/2004 Commins et al.  
2004/0107653 A1 6/2004 Collie  
2004/0163355 A1 8/2004 Collie  
2004/0227039 A1 11/2004 Real et al.  
2005/0011157 A1 1/2005 Lutz et al.  
2006/0026924 A1 2/2006 Madsen  
2006/0156660 A1 7/2006 Stateson  
2006/0207209 A1 9/2006 Metroyanis  
2006/0254167 A1 11/2006 Antonic  
2007/0094992 A1 5/2007 Antonic

2007/0193143 A1 8/2007 Antonic  
2008/0236058 A1 10/2008 Antonic

## FOREIGN PATENT DOCUMENTS

GB 507 987 A 3/1939

## OTHER PUBLICATIONS

Antonic, J., Stud Interlock design patent application (U.S. Appl. No. 29/273,324) office action (Dec. 22, 2008), 4 pages total.

Antonic, J., Corner Brace design patent application (U.S. Appl. No. 29/310,862), including filing receipt, filed Sep. 15, 2009, 12 pages total.

Antonic, J., Angle Brace design patent application (U.S. Appl. No. 29/310,863), including filing receipt, filed Sep. 15, 2008, 6 pages total.

Antonic, J., Sill Plate design patent application (U.S. Appl. No. 29/315,559), including filing receipt, filed Jul. 6, 2009, 6 pages total.

European Search Report for EPO Application No. 07750810.9 (Mar. 3, 2010) (8 pages).

\* cited by examiner

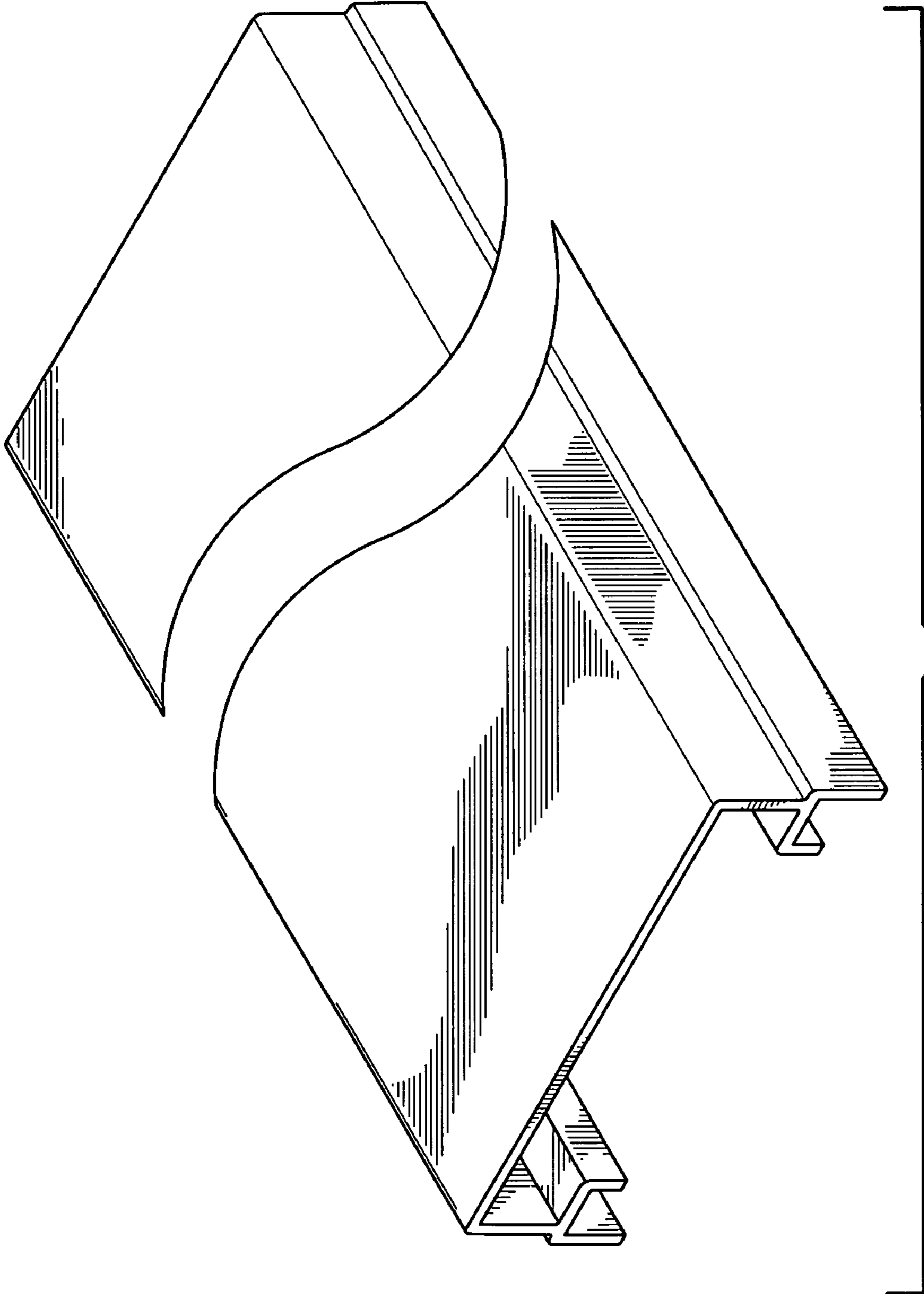
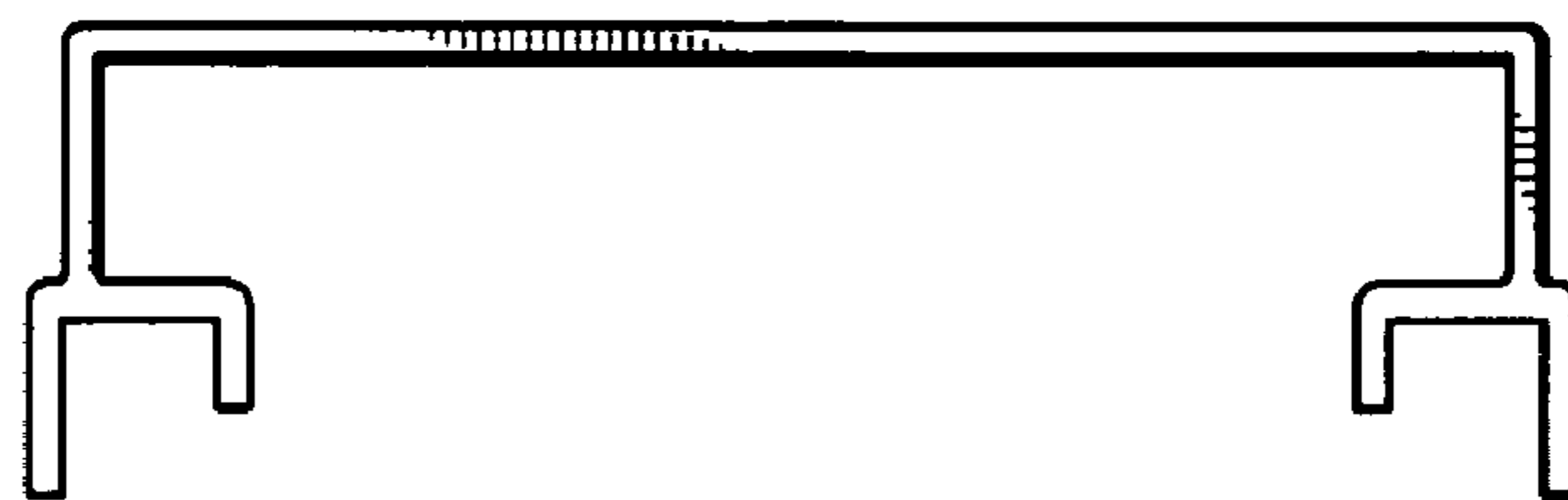


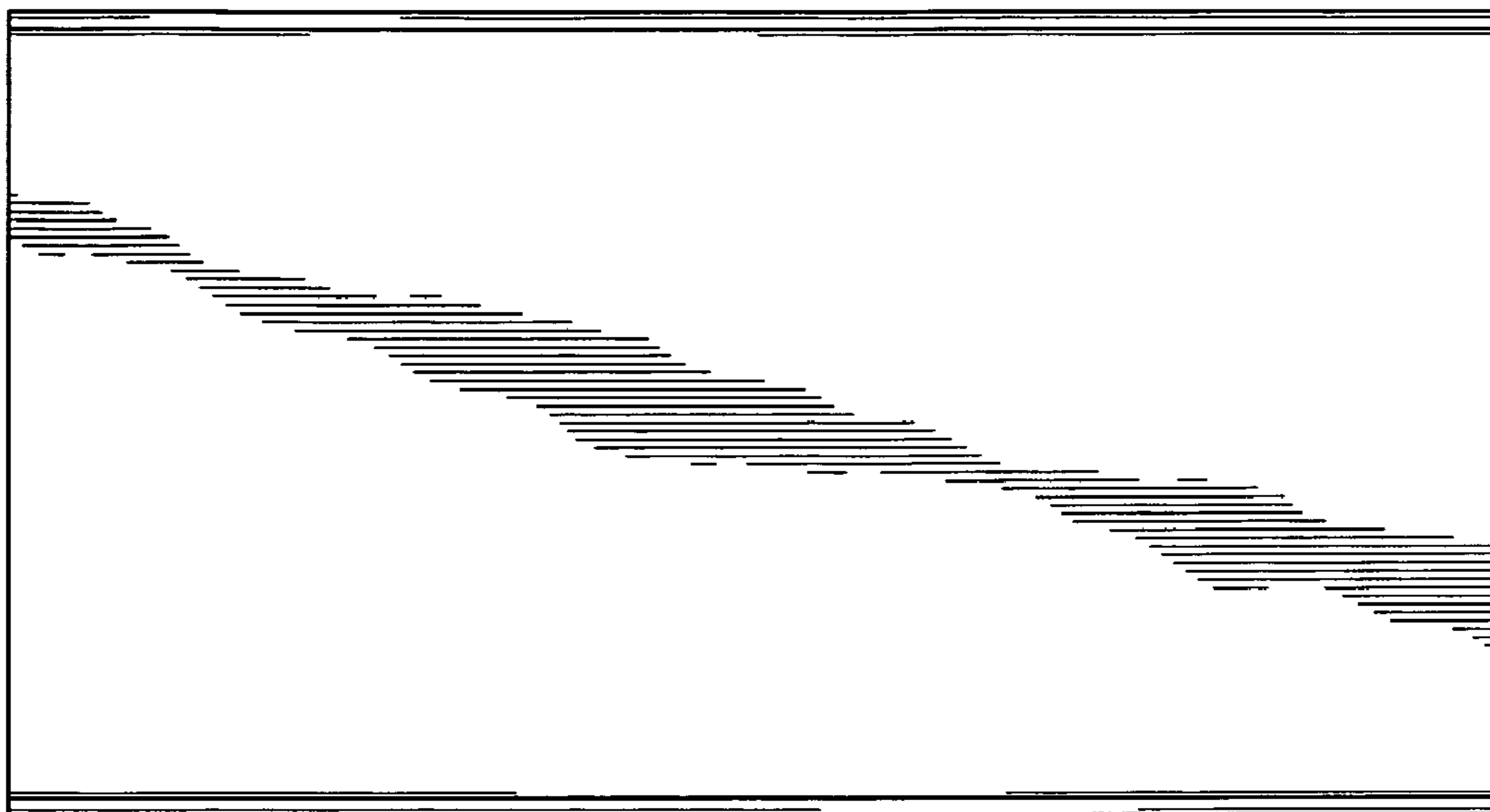
Fig. 1



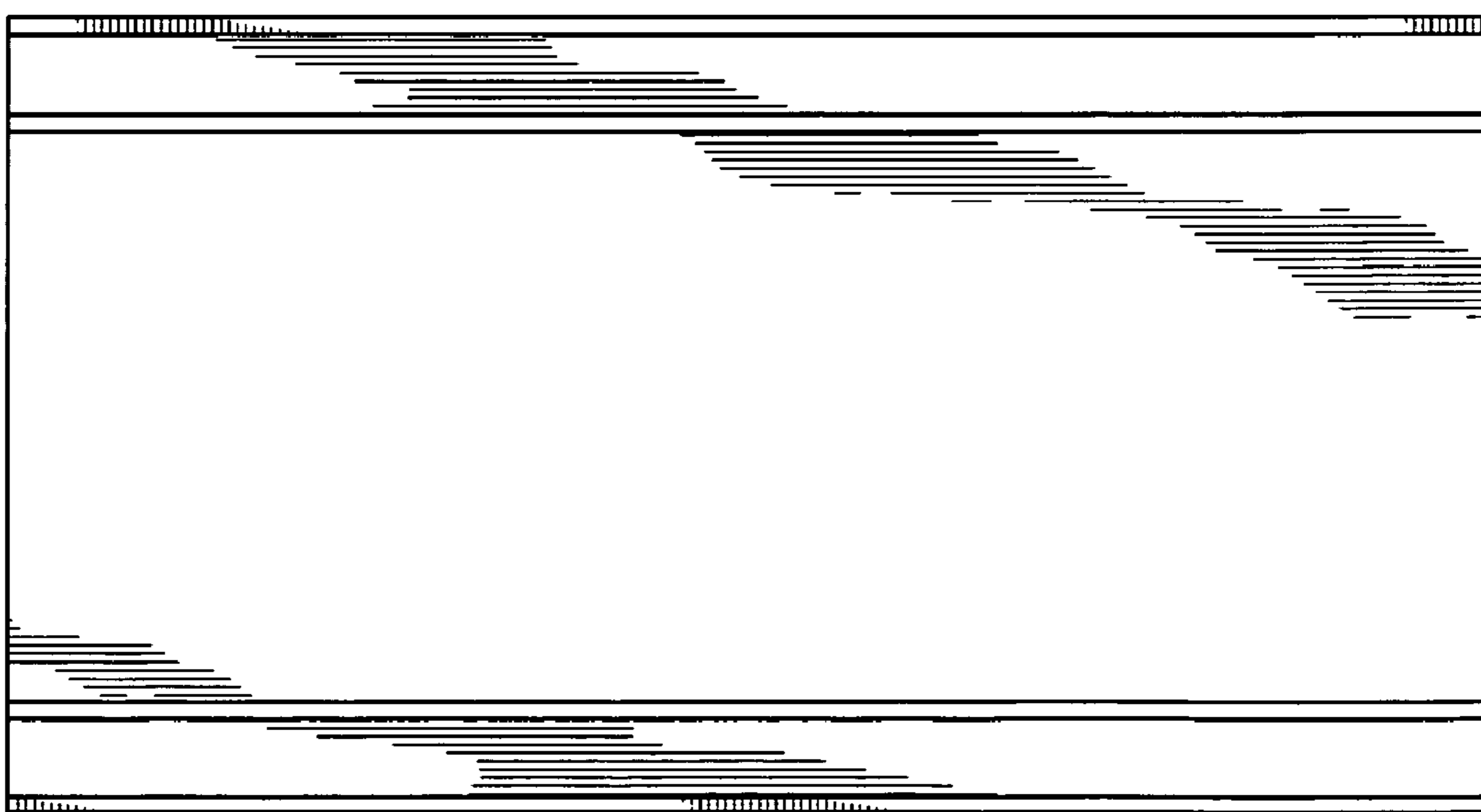
*Fig. 2*



*Fig. 3*



*Fig. 4*



*Fig. 5*